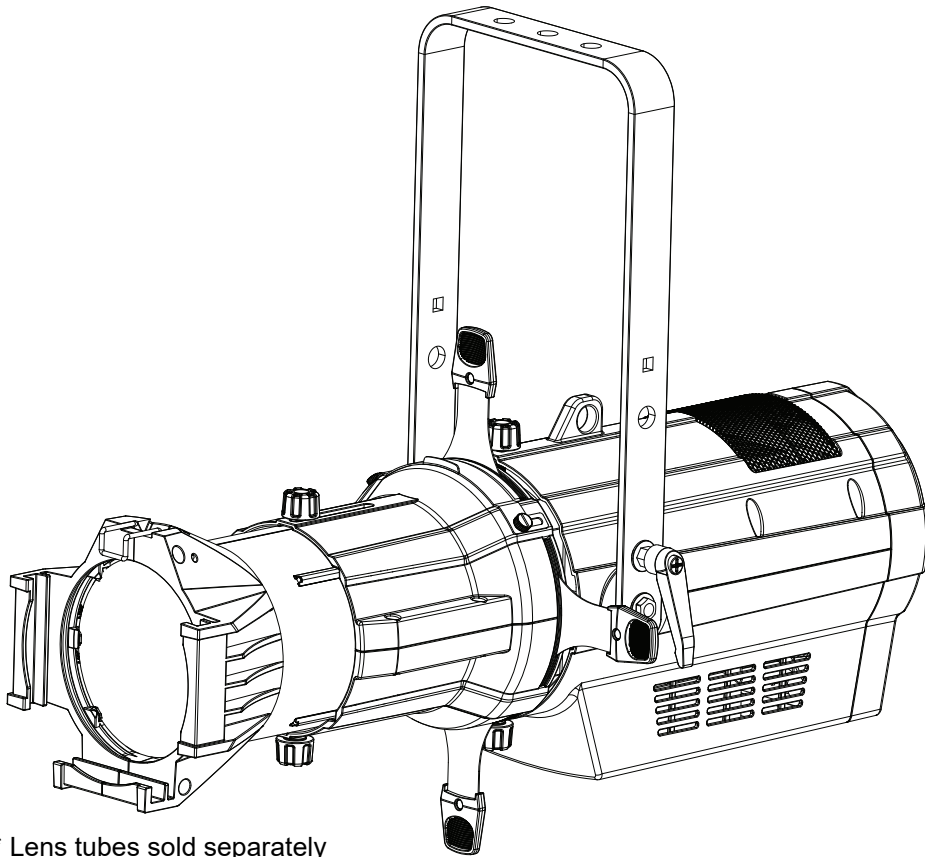


# OVATION

## E-910FC

### Quick Reference Guide

English	EN
Español	ES
Français	FR
Deutsch	DE
Nederlands	NL



\* Lens tubes sold separately

Model ID: OVATIONE910FC



**CHAUVET**  
PROFESSIONAL

## About This Guide

The Ovation E-910FC Quick Reference Guide (QRG) has basic product information such as connection, mounting, menu options, and DMX values. Download the User Manual from [www.chauvetprofessional.com](http://www.chauvetprofessional.com) for more details.

### Disclaimer

The information and specifications contained in this QRG are subject to change without notice.

### LIMITED WARRANTY

**FOR WARRANTY REGISTRATION AND COMPLETE TERMS AND CONDITIONS PLEASE VISIT OUR WEBSITE.**

**For Customers in the United States and Mexico:** [www.chauvetlighting.com/warranty-registration](http://www.chauvetlighting.com/warranty-registration).

**For Customers in the United Kingdom, Republic of Ireland, Belgium, the Netherlands, Luxembourg, France, and Germany:** [www.chauvetlighting.eu/warranty-registration/](http://www.chauvetlighting.eu/warranty-registration/).

Chauvet warrants that this product shall be free from defects in material and workmanship under normal use, for the period specified in and subject to the exclusions and limitations set forth in, the full limited warranty on our website. This warranty extends only to the original purchaser of the product and is not transferable. To exercise rights under this warranty, the customer must provide proof of purchase in the form of an original sales receipt from an authorized dealer that shows the product name and date of purchase. THERE ARE NO OTHER EXPRESS OR IMPLIED WARRANTIES. This warranty gives the customer specific legal rights. The customer may also have other rights that vary from state to state and country to country. This warranty is valid only in the United States, United Kingdom, Republic of Ireland, Belgium, the Netherlands, Luxembourg, France, Germany and Mexico. For warranty terms in other countries, please consult a local distributor.

### Safety Notes

- The luminaire should be positioned so that prolonged staring into the luminaire at a distance closer than 3.0 m is not expected.
- If the external flexible cable or cord of this luminaire is damaged, it shall be replaced by a special cord or cord exclusively available from the manufacturer or his service agent.
- The light source contained in this luminaire shall only be replaced by the manufacturer or his service agent or a similar qualified person.
- The luminaire is intended for professional use only.
- DO NOT open this product. It contains no user-serviceable parts.
- DO NOT look at the light source when the product is on.
- DO NOT operate this product outdoors or in any location where dust, excessive heat, water, or humidity may affect it (IP20).
- DO NOT leave any flammable material within 50 cm of this product while operating or connected to power.
- DO NOT operate this product if the housing, lenses, or cables appear damaged.
- DO NOT connect this product to a dimmer or rheostat.
- CAUTION: This product's housing may be hot when lights are operating.
- CAUTION: When transferring product from extreme temperature environments, (e.g., cold truck to warm humid ballroom) condensation may form on the internal electronics of the product. To avoid causing a failure, allow product to fully acclimate to the surrounding environment before connecting it to power.
- USE a safety cable when mounting this product overhead.
- ONLY connect this product to a grounded and protected circuit.
- ONLY use the hanging/mounting bracket to carry this product.
- Mount this product in a location with adequate ventilation, at least 20 in (50 cm) from adjacent surfaces.
- To eliminate unnecessary wear and improve its lifespan, during periods of non-use completely disconnect the product from power via breaker or by unplugging it.
- In the event of a serious operating problem, stop using immediately.
- The maximum ambient temperature is 113 °F (45 °C). Do not operate this product at higher temperatures.

### FCC Compliance

This device complies with Part 15 Part B of the FCC Rules. Operation is subject to the following two conditions:

1. This device may not cause harmful interference, and
2. This device must accept any interference received, including interference that may cause undesired operation.

Any changes or modifications not expressly approved by the party responsible for compliance could void the user's authority to operate the equipment.

### Contact

Outside the U.S., U.K., Ireland, Benelux, France, Germany, or Mexico, contact a distributor to request support or return a product. Refer to [Contact Us](#) at the end of this QRG for contact information.

### What is Included

- Ovation E-910FC
- Neutrik® powerCON® power cord
- Soft focus filter
- Quick Reference Guide



**If there is a protective film on the soft-focus filter, it must be removed before use. The filter is in a holder in the metal gobo slot.**

**AC Power**

This product has an auto-ranging power supply that can work with an input voltage range of 100–240 VAC, 50/60 Hz.

**Power Linking**

It is possible to link up to 6 Ovation E-910FC products at 100 V, 7 products at 120 V, 13 products at 208 V, 14 products at 230 V, or 15 products at 240 V. Never exceed this number. Power-linking cords can be purchased separately.

**AC Plug**

Connection	Wire (U.S.)	Wire (Europe)	Screw Color
AC Live	Black	Brown	Yellow/Brass
AC Neutral	White	Blue	Silver
AC Ground	Green/Yellow	Green/Yellow	Green



To eliminate unnecessary wear and improve its lifespan, during periods of non-use completely disconnect the product from power via breaker or by unplugging it.

**Replacing the Fuse**

1. Disconnect this product from power.
2. Using a Phillips-head screwdriver, unscrew the fuse holder cap from the housing.
3. Remove blown fuse and replace with a good fuse of the same type and rating.
4. Screw the fuse holder cap back in place and reconnect power.

**DMX Linking**

The Ovation E-910FC will work with a DMX controller using a 3- and 5-pin DMX serial connection. A DMX Primer is available from [www.chauvetprofessional.com](http://www.chauvetprofessional.com).

**DMX Connection**

The Ovation E-910FC uses a 3- and 5-pin DMX data connection for its DMX personalities: **1Ch, 3Ch, 5Ch, 7Ch, 10Ch, 12Ch, 13Ch, 16Ch**, and **HSV**. See the User Manual for information about connecting and configuring the product for DMX operation.

**Master/Slave Connection**

The Ovation E-910FC uses the DMX data connection for its master/slave mode. See the User Manual for information about how to connect and configure the product for master/slave operation.

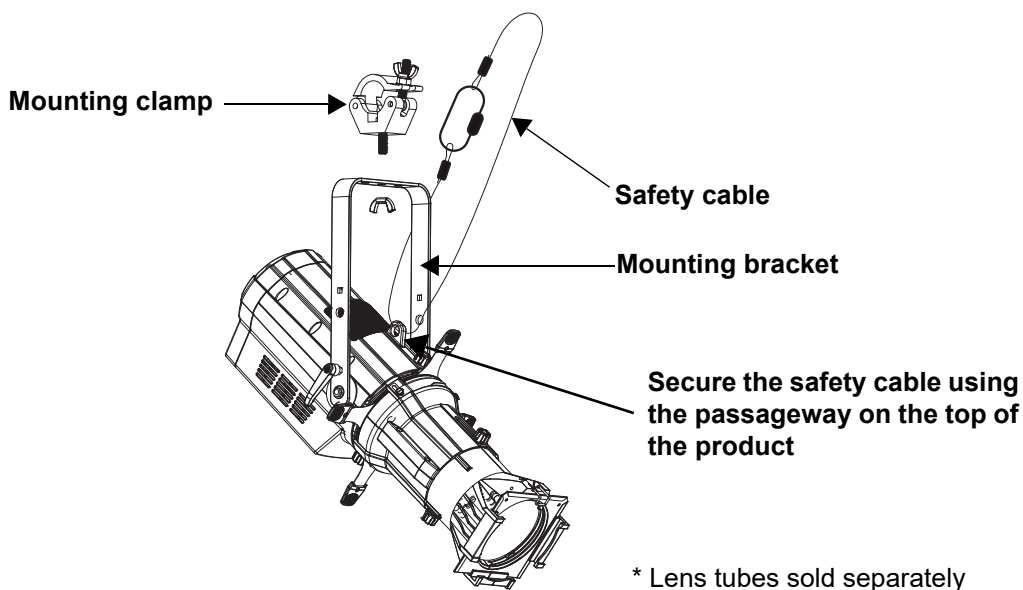
**RDM (Remote Device Management)**

Remote Device Management, or RDM, is a standard for allowing DMX-enabled devices to communicate bi-directionally along existing DMX cabling. Check with the manufacturer or the DMX controller’s User Manual, as not all DMX controllers have this capability. The Ovation E-910FC supports RDM protocol that allows feedback to make changes to menu map options. Download the User Manual from [www.chauvetprofessional.com](http://www.chauvetprofessional.com) for more details.

**Mounting**

Before mounting this product, read the [Safety Notes](#). Use at least one mounting point per product. Make sure the mounting clamps can support the weight of the product. For the Chauvet line of mounting clamps, go to: <http://trusst.com/productcategory/truss-clamps/>.

**Product Mounting Diagram**



**Overhead Mounting**

**Lens Tubes**

The following lens tubes are available for purchase:

- 19°, 26°, 36°, and 50° with gel frame (6.25 in/159 mm accessories)
- 14°, 15–30° and 25°–50° zoom gel frame (7.5 in/191 mm accessories)

**Virtual Color Wheel (VCW)**

The Ovation E-910FC includes a feature called the Virtual Color Wheel (VCW). This feature is available as a standalone control mode for manual use and as a control channel in select DMX personalities. More than 30 premixed colors, custom blended by Chauvet engineers, are available to call up for easier programming.

The DMX values used to mix these colors are provided below. The overall intensity of the Ovation fixture can be adjusted to more closely replicate familiar industry-standard colors. A chart is available on [www.chauvetprofessional.com](http://www.chauvetprofessional.com) to compare Chauvet’s premixed colors with popular gel colors. This chart is for comparison purposes only and is not an assertion that Chauvet’s premixed colors match any of the gel colors listed.

	R	G	B	A	L
<b>C3050-Md Yellow</b>	233	163	20	123	255
<b>C3040-Lt Yellow</b>	224	158	47	255	231
<b>C3240-Amb Yellow</b>	180	60	0	245	255
<b>C2340-VLt Amber</b>	245	107	81	255	213
<b>C2040-Lt Amber</b>	230	130	62	255	155
<b>C2050-Md Amber</b>	255	0	25	255	194
<b>C2060-Dk Amber</b>	255	0	24	255	150
<b>C1050-Lt Red</b>	255	37	27	30	38
<b>C1080-Md Red</b>	255	4	17	0	0
<b>C1020-NC Pink</b>	238	135	129	255	255
<b>C1030-Md Pink</b>	255	131	120	255	195
<b>C1630-Dk Pink</b>	250	165	123	255	210
<b>C1250-Md Red Amber</b>	255	0	41	195	55
<b>C1060-Dk Red Amber</b>	255	0	45	120	30
<b>C1650-Magenta</b>	255	50	115	255	115
<b>C6170-Dk Magenta</b>	255	35	117	0	0
<b>C6020-Lt Lavender</b>	127	122	142	251	255
<b>C5030-Lt Blue</b>	0	255	197	100	255
<b>C5020-VLt Blue</b>	158	255	189	0	255
<b>C5430-Lt Blue2</b>	0	255	180	0	243
<b>C5070-Blue</b>	43	255	210	43	36
<b>C5050-Md Blue</b>	0	255	218	0	181
<b>C5060-Dk Blue</b>	0	210	206	0	118
<b>C5690-Indigo</b>	65	0	210	40	55
<b>C5080-VDk Blue</b>	0	203	230	0	40
<b>C5081-VdK Blue2</b>	40	199	240	0	45
<b>C4370-Yel Green</b>	27	255	28	16	104
<b>C4070-Green</b>	49	255	55	120	90
<b>C4550-Turquoise</b>	60	230	109	0	245
<b>C4560-Aqua</b>	20	240	126	36	255
<b>C4570-Blue Green</b>	0	255	79	30	53



Note: The colors above are simulated renditions of the color output produced compared with other similar incandescent products. Chauvet makes no guarantee of the color output accuracy.

### Color Temperature Chart

	R	G	B	A	L
<b>2800K</b>	187	130	97	255	255
<b>3000K</b>	177	145	105	255	255
<b>3200K</b>	168	157	113	255	255
<b>3500K</b>	163	177	124	255	255
<b>4000K</b>	151	195	141	255	255
<b>4500K</b>	145	214	157	255	255
<b>5000K</b>	138	227	170	255	255
<b>5600K</b>	130	239	184	255	255
<b>6000K</b>	126	246	193	255	255
<b>6500K</b>	120	254	201	255	255



Note: The color temperatures above are simulated renditions of the color output produced compared with a tungsten lamp at the specified color temperature. Chauvet makes no guarantee of the color output accuracy.

### Control Panel Description

Button	Function
<MENU>	Exits from the current menu or function
<ENTER>	Enables the currently displayed menu or sets the currently selected value into the selected function
<UP>	Navigates upwards through the menu list or increases the numeric value when in a function
<DOWN>	Navigates downwards through the menu list or decreases the numeric value when in a function

### Menu Map

Refer for the Ovation E-910FC product page on [www.chauvetprofessional.com](http://www.chauvetprofessional.com) for the latest menu map.

Main Level	Programming Levels	Description
DMX Address	001–512*	Selects DMX address (*highest channel restricted to personality chosen)
	1Ch	1-channel: dimmer
DMX Channel	3Ch	3-channel: dimmer, virtual color wheel, color temperature
	5Ch	5-channel: RGBAL
	7Ch	7-channel: dimmer, RGBAL, strobe
	10Ch	10-channel: 16-bit dimmer, RGBAL, strobe, virtual color wheel, color temperature
	12Ch	12-channel: dimmer, RGBAL, strobe, virtual color wheel, color temperature, auto program, auto speed, control
	13Ch	13-channel: 16-bit dimmer, 16-bit RGBAL, strobe
	16Ch	16-channel: 16-bit RGBAL and dimmer, strobe, virtual color wheel, color temperature, control
	HSV	3-channel: hue, saturation, value

# QUICK REFERENCE GUIDE



EN

Main Level	Programming Levels		Description			
Virtual Color Wheel	Virtual Color Wheel	C3050 - Md Yellow	Dimmer 000–255 Virtual Color Wheel simulates the output of each gel color. Refer to the <a href="#">Virtual Color Wheel Chart</a> for specific values.			
		C3040 - Lt Yellow				
		C3240 - Amb Yellow				
		C2340 - VLt Amber				
		C2040 - Lt Amber				
		C2050 - Md Amber				
		C2060 - Dk Amber				
		C1050 - Lt Red				
		C1080 - Md Red				
		C1020 - NC Pink				
		C1030 - Md Pink				
		C1630 - Dk Pink				
		C1250 - Md Red Amber				
		C1060 - Dk Red Amber				
		C1650 - Magenta				
		C6170 - Dk Magenta				
		C6020 - Lt Lavender				
		C5030 - Lt Blue				
		C5020 - VLt Blue				
		C5430 - Lt Blue 2				
		C5070 - Blue				
		C5050 - Md Blue				
		C5060 - Dk Blue				
		C5690 - Indigo				
		C5080 - VDk Blue				
		C5081 - VDk Blue 2				
C4370 - Yel Green						
C4070 - Green						
C4550 - Turquoise						
C4560 - Aqua						
C4570 - Blue Green						
Virtual Color Wheel (cont.)	Color Temperature	2800K	Dimmer 000–255 Preset white color temperatures. Emulates a tungsten lamp at the specified color temperature. Refer to the <a href="#">Color Temperature Chart</a> for specific values.			
		3000K				
		3200K				
		3500K				
		4000K				
		4500K				
		5000K				
		5600K				
		6000K				
		6500K				
				Manual Color Mixer	Red	000–255 Combines red, green, blue, amber, and lime to make a custom color (0–100%)
					Green	
					Blue	
					Amber	
Lime						
Auto Show	Auto 1–5	1–100	Selects automatic programs and auto program speed			
Red Shift	On		Mimics halogen lamp dimming			
	Off					
<b>Master/ Slave</b>	<b>Master</b>		Receives DMX signal from the DMX controller (master)			
	<b>Slave</b>		Receives DMX signal from the master unit			
Dimmer Curve	SCurve		Sets the dimmer curve			
	Linear					
	Square					
	Inverse Square					
<b>Dimmer Mode</b>	<b>Off</b>		Linear dimmer			
	<b>Dimmer 1–3</b>		Dimming curves, from fast ( <b>Dimmer 1</b> ) to slow ( <b>Dimmer 3</b> )			

Main Level	Programming Levels		Description
White Balance	Manual	Off	Uses factory default white setting
		Red	Sets red LED maximum value
		Green	Sets green LED maximum value
		Blue	Sets blue LED maximum value
		Amber	Sets amber LED maximum value
		Lime	Sets lime LED maximum value
LED Frequency	125–255		Sets the PWM output frequency
	600Hz		
	1200Hz		
	2000Hz		
	4000Hz		
	6000Hz		
Fan Mode	25KHz		Sets the fan to auto mode
	Auto		
	On		
	Off		
Back Light	Silent		Sets the fan to always on
	10S		Sets the fan to always off
	30S		Sets the fan to silent
	2Min		Sets the fan to silent
Information	Always On		Turns off display backlight after 10 seconds of inactivity
	Fixture Hours	----_H	Turns off display backlight after 30 seconds of inactivity
	LED Hours	--_--_H	Turns off display backlight after 2 minutes of inactivity
	Version	V_._-	Display backlight always on
Reset Factory	UID		Shows total hours the product has been powered on
	No		Shows total hours the LED has been powered on
		Yes	Shows current firmware version
			Shows product UID
			Resets settings to factory default



**WARNING:** When operating in Fan Mode: Off, the fixture will become hotter to the touch than when using other fan modes. Use proper protective equipment to prevent burns. Keep a safe distance from flammable objects.



**NOTICE:** When operating in Fan Mode: Off, output of the fixture will be reduced and will not reach the same levels as when using other fan modes.

EN

**DMX Values**

**HSV**

Channel	Function	Value	Percent/Setting
1	Hue	000 ⇔ 255	0–100%
2	Saturation	000 ⇔ 255	0–100%
3	Value	000 ⇔ 255	0–100%

**16Ch**

Channel	Function	Value	Percent/Setting
1	Dimmer	000 ⇔ 255	0–100%
2	Dimmer fine	000 ⇔ 255	0–100%
3	Red	000 ⇔ 255	0–100%
4	Red fine	000 ⇔ 255	0–100%
5	Green	000 ⇔ 255	0–100%
6	Green fine	000 ⇔ 255	0–100%
7	Blue	000 ⇔ 255	0–100%
8	Blue fine	000 ⇔ 255	0–100%
9	Amber	000 ⇔ 255	0–100%
10	Amber fine	000 ⇔ 255	0–100%
11	Lime	000 ⇔ 255	0–100%
12	Lime fine	000 ⇔ 255	0–100%
13	Strobe	000 ⇔ 010 011 ⇔ 255	No function Strobe, slow to fast
14	Virtual color wheel	000 ⇔ 255	Refer to <a href="#">Virtual Color Wheel Chart</a>
15	Color temperature	000 ⇔ 255	Refer to <a href="#">Color Temperature Chart</a>
16	Control (hold for 3 seconds)	000 ⇔ 007 008 ⇔ 015 016 ⇔ 023 024 ⇔ 031 032 ⇔ 039 040 ⇔ 047 048 ⇔ 055 056 ⇔ 063 064 ⇔ 071 072 ⇔ 079 080 ⇔ 087 088 ⇔ 095 096 ⇔ 103 104 ⇔ 111 112 ⇔ 119 120 ⇔ 127 128 ⇔ 255	No function Dimmer reset Red shift on Red shift off S-curve dimmer Linear dimmer Square dimmer curve Inverse square dimmer curve Dimmer speed mode OFF Dimmer speed 1 (fastest) Dimmer speed 2 Dimmer speed 3 (slowest) Fan auto Fan on Fan off Fan silent Reserved for future use



13Ch

Channel	Function	Value	Percent/Setting
1	Dimmer	000 ⇔ 255	0–100%
2	Dimmer fine	000 ⇔ 255	0–100%
3	Red	000 ⇔ 255	0–100%
4	Red fine	000 ⇔ 255	0–100%
5	Green	000 ⇔ 255	0–100%
6	Green fine	000 ⇔ 255	0–100%
7	Blue	000 ⇔ 255	0–100%
8	Blue fine	000 ⇔ 255	0–100%
9	Amber	000 ⇔ 255	0–100%
10	Amber fine	000 ⇔ 255	0–100%
11	Lime	000 ⇔ 255	0–100%
12	Lime fine	000 ⇔ 255	0–100%
13	Strobe	000 ⇔ 010 011 ⇔ 255	No function Strobe, slow to fast

12Ch

Channel	Function	Value	Percent/Setting
1	Dimmer	000 ⇔ 255	0–100%
2	Red	000 ⇔ 255	0–100%
3	Green	000 ⇔ 255	0–100%
4	Blue	000 ⇔ 255	0–100%
5	Amber	000 ⇔ 255	0–100%
6	Lime	000 ⇔ 255	0–100%
7	Strobe	000 ⇔ 010 011 ⇔ 255	No function Strobe, slow to fast
8	Virtual color wheel	000 ⇔ 255	Refer to <a href="#">Virtual Color Wheel Chart</a>
9	Color temperature	000 ⇔ 255	Refer to <a href="#">Color Temperature Chart</a>
10	Auto programs	000 ⇔ 010 011 ⇔ 060 061 ⇔ 110 111 ⇔ 160 161 ⇔ 210 211 ⇔ 255	No function Auto program 1 Auto program 2 Auto program 3 Auto program 4 Auto program 5
11	Auto speed	000 ⇔ 255	Auto speed, slow to fast
12	Control (hold for 3 seconds)	000 ⇔ 007 008 ⇔ 015 016 ⇔ 023 024 ⇔ 031 032 ⇔ 039 040 ⇔ 047 048 ⇔ 055 056 ⇔ 063 064 ⇔ 071 072 ⇔ 079 080 ⇔ 087 088 ⇔ 095 096 ⇔ 103 104 ⇔ 111 112 ⇔ 119 120 ⇔ 127 128 ⇔ 255	No function Dimmer reset Red shift on Red shift off S-curve dimmer Linear dimmer Square dimmer curve Inverse square dimmer curve Dimmer speed mode OFF Dimmer speed 1 (fastest) Dimmer speed 2 Dimmer speed 3 (slowest) Fan auto Fan on Fan off Fan silent Reserved for future use

## QUICK REFERENCE GUIDE



EN

### 10Ch

Channel	Function	Value	Percent/Setting
1	Dimmer	000 ⇔ 255	0–100%
2	Dimmer fine	000 ⇔ 255	0–100%
3	Red	000 ⇔ 255	0–100%
4	Green	000 ⇔ 255	0–100%
5	Blue	000 ⇔ 255	0–100%
6	Amber	000 ⇔ 255	0–100%
7	Lime	000 ⇔ 255	0–100%
8	Strobe	000 ⇔ 010	No function
		011 ⇔ 255	Strobe, slow to fast
9	Virtual color wheel	000 ⇔ 255	Refer to <a href="#">Virtual Color Wheel Chart</a>
10	Color temperature	000 ⇔ 255	Refer to <a href="#">Color Temperature Chart</a>

### 7Ch

Channel	Function	Value	Percent/Setting
1	Dimmer	000 ⇔ 255	0–100%
2	Red	000 ⇔ 255	0–100%
3	Green	000 ⇔ 255	0–100%
4	Blue	000 ⇔ 255	0–100%
5	Amber	000 ⇔ 255	0–100%
6	Lime	000 ⇔ 255	0–100%
7	Strobe	000 ⇔ 010	No function
		011 ⇔ 255	Strobe, slow to fast

### 5Ch

Channel	Function	Value	Percent/Setting
1	Red	000 ⇔ 255	0–100%
2	Green	000 ⇔ 255	0–100%
3	Blue	000 ⇔ 255	0–100%
4	Amber	000 ⇔ 255	0–100%
5	Lime	000 ⇔ 255	0–100%

### 3Ch

Channel	Function	Value	Percent/Setting
1	Dimmer	000 ⇔ 255	0–100%
2	Virtual color wheel	000 ⇔ 255	Refer to <a href="#">Virtual Color Wheel Chart</a>
3	Color temperature	000 ⇔ 255	Refer to <a href="#">Color Temperature Chart</a>

### 1Ch

Channel	Function	Value	Percent/Setting
1	Dimmer	000 ⇔ 255	0–100%

## Acerca de Esta Guía

La Guía de Referencia Rápida (GRR) del Ovation E-910FC contiene información básica sobre el producto, como montaje, opciones de menú y valores DMX. Descargue el Manual de Usuario de [www.chauvetprofessional.com](http://www.chauvetprofessional.com) para información más detallada.

### Exención de Responsabilidad

La información y especificaciones contenidas en esta GRR están sujetas a cambio sin previo aviso.

### GARANTÍA LIMITADA

**PARA VER EL REGISTRO DE GARANTÍA Y LOS TÉRMINOS Y CONDICIONES COMPLETOS, VISITE NUESTRO SITIO WEB.**

**Para clientes en los Estados Unidos y México:** [www.chauvetlighting.com/warranty-registration](http://www.chauvetlighting.com/warranty-registration).

**Para clientes en Reino Unido, República de Irlanda, Bélgica, Países Bajos, Luxemburgo, Francia y Alemania:** [www.chauvetlighting.eu/warranty-registration/](http://www.chauvetlighting.eu/warranty-registration/).

Chauvet garantiza que este producto estará libre de defectos de material y mano de obra en condiciones de uso normales, durante el periodo especificado, sujeto siempre a las exclusiones y limitaciones establecidas en la garantía limitada completa de nuestro sitio web. Esta garantía se concede únicamente al comprador original del producto y no es transferible. Para ejercer los derechos que otorga esta garantía, usted debe proporcionar una prueba de compra en forma de un recibo de compra original, expedido por un distribuidor autorizado, donde figure el nombre del producto y la fecha de compra. **NO EXISTEN OTRAS GARANTÍAS EXPRESAS NI IMPLÍCITAS.** Esta garantía le otorga derechos legales específicos. Es posible que a usted le asistan otros derechos, que variarán dependiendo del estado o del país. Esta garantía solamente es válida en los Estados Unidos, Reino Unido, República de Irlanda, Bélgica, Países Bajos, Luxemburgo, Francia, Alemania y México. Para conocer los términos de garantía en otros países, consulte a su distribuidor local.

### Notas de Seguridad

- La luminaria debe colocarse de forma que no sea previsible que se mire fijamente hacia ella a una distancia menor de 3,0 m.
- Si se daña el cable externo flexible de esta luminaria, se sustituirá con un cable especial o con un cable disponible exclusivamente a través del fabricante o de su agente de servicio técnico.
- Solo el fabricante, su agente de servicio o un técnico de similar cualificación podrán reemplazar la fuente de luz contenida en esta luminaria.
- La luminaria está destinada exclusivamente a un uso profesional.
- **NO abra este producto.** No contiene piezas reparables por el usuario.
- **NO mire a la fuente de luz cuando el producto esté encendido.**
- **NO ponga en funcionamiento este producto en el exterior o en cualquier ubicación en la que el polvo, calor excesivo, agua o humedad puedan afectarlo (IP20).**
- **NO deje ningún material inflamable a menos de 50 cm de este producto mientras esté funcionando o conectado a la alimentación.**
- **NO ponga en funcionamiento este producto si sospecha que la carcasa, lentes o cables están dañados.**
- **NO conecte este producto a un atenuador o reostato.**
- **CAUIDADO:** La carcasa de este producto está caliente cuando las luces están en funcionamiento.
- **CAUIDADO:** Cuando transfiera el producto desde ambientes con temperatura extrema (p. ej., del remolque frío de un camión a una sala de baile con calor y humedad), puede formarse condensación en la electrónica interna del producto. Para evitar que se produzca una avería, deje que el producto se aclimate completamente al ambiente antes de conectar la alimentación.
- **USE un cable de seguridad cuando monte este producto en lo alto.**
- **Conecte este producto SOLO a un circuito con toma de tierra y protegido.**
- **Use SOLAMENTE los soportes de colgar/montar para mover este producto.**
- Monte este producto en una ubicación con ventilación adecuada, al menos a 20" (50 cm) de superficies adyacentes.
- Para evitar un desgaste innecesario y alargar su vida útil, desconecte complementemente el producto de la alimentación, mediante el interruptor o desenchufándolo, durante los periodos en los que no se use.
- En caso de un problema grave de funcionamiento, deje de usarlo inmediatamente.
- La máxima temperatura ambiente es de 113 °F (45 °C). No haga funcionar este producto a temperaturas más altas.

### Cumplimiento de la FCC

Este dispositivo cumple la parte 15, parte B de las normas FCC. El funcionamiento está supeditado al cumplimiento de estas dos condiciones:

1. Este dispositivo no puede causar interferencias perjudiciales; y
2. Este dispositivo debe aceptar cualquier interferencia recibida, incluyendo las interferencias que puedan causar un funcionamiento no deseado.

Cualquier cambio o modificación que no haya sido expresamente autorizado por la parte responsable de conformidad puede anular la potestad del usuario para hacer funcionar el equipo.

### Contacto

Fuera de EE. UU., Reino Unido, Irlanda, Benelux, Francia, Alemania o México, póngase en contacto con su distribuidor para solicitar asistencia o devolver el producto. Visite [Contact Us](#) para información de contacto.

### Qué va Incluido

- Ovation E-910FC
- Cable de alimentación Neutrik® powerCON®
- Filtro de enfoque suave
- Guía de Referencia Rápida



**Si hay una película protectora sobre el filtro de enfoque suave, hay que quitarla antes del uso. El filtro está en un soporte en la ranura de gobo de metal.**

### Corriente Alterna

Este producto tiene una fuente de alimentación con detección automática que puede funcionar con un rango de tensión de entrada de 100 a 240 VCA, 50/60 Hz.

### Alimentación en Cadena

Puede enlazar hasta 6 productos Ovation E-910FC a 100 V, 7 productos a 120 V, 13 a 208 V, 14 a 230 V, o 15 productos a 240 V. Nunca sobrepase este número. Los cables de alimentación en cadena se pueden adquirir por separado.

### Enchufe CA

Conexión	Cable (EE.UU.)	Cable (Europa)	Color del tornillo
CA Cargado	Negro	Marrón	Amarillo/Latón
CA Neutro	Blanco	Azul	Plata
CA Tierra	Verde/Amarillo	Verde/Amarillo	Verde



**Para evitar un desgaste innecesario y alargar su vida útil, desconecte complemente el producto de la alimentación, mediante el interruptor o desenchufándolo, durante los periodos en los que no se use.**

### Sustitución del Fusible

1. Desconecte el producto de la toma de corriente.
2. Con un destornillador Phillips, desatornille la tapa del portafusibles.
3. Quite el fusible fundido del portafusibles y sustitúyalo con otro del mismo tipo y categoría.
4. Vuelva a atornillar la tapa del portafusibles en su sitio y conecte de nuevo la alimentación.

### Enlace DMX

El Ovation E-910FC funcionará con un controlador DMX usando una conexión serial DMX de 3- y 5-pines. Hay un manual DMX disponible en [www.chauvetprofessional.com](http://www.chauvetprofessional.com).

### Conexión DMX

El Ovation E-910FC usa una conexión de datos DMX de 3 y 5 pines para sus personalidades: **1Ch, 3Ch, 5Ch, 7Ch, 10Ch, 12Ch, 13Ch, 16Ch** y **HSV**. Vea el Manual de Usuario para conectar y configurar para funcionamiento DMX.

### Conexión Maestro/Esclavo

El Ovation E-910FC usa la conexión de datos DMX para su modo Maestro/Esclavo. Vea el Manual de Usuario para conectar y configurar para funcionamiento Maestro/Esclavo.

### RDM (gestión remota del dispositivo)

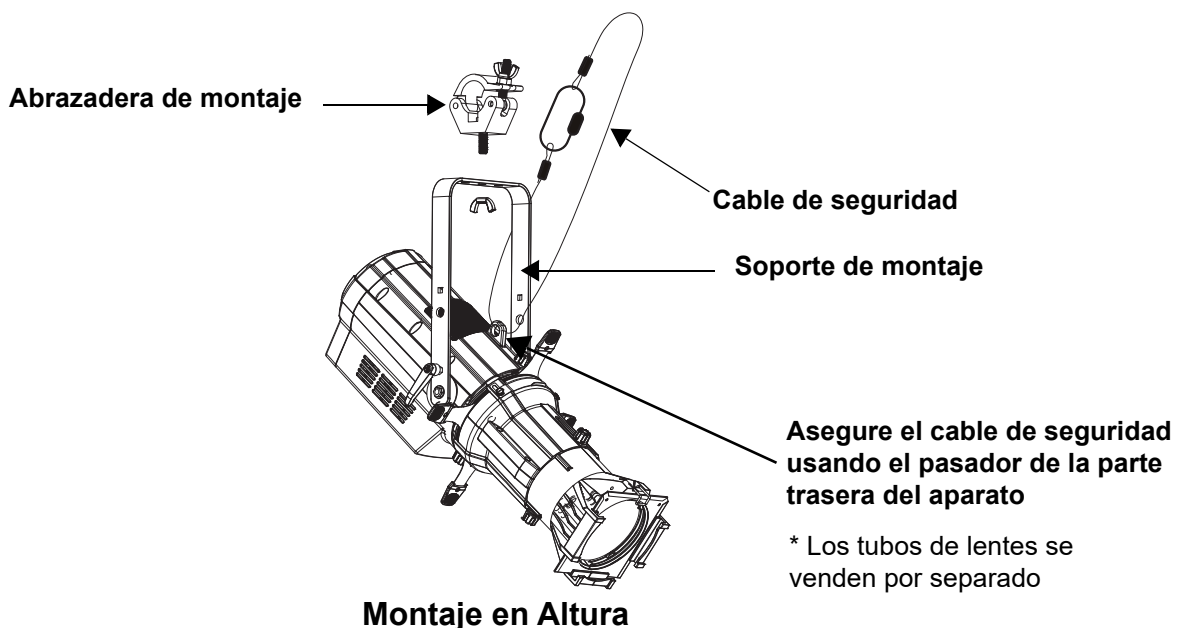
Remote Device Management (gestión remota del dispositivo) o RDM, es un estándar que permite a los dispositivos con capacidad DMX una comunicación bidireccional por un cableado DMX existente. El Ovation E-910FC admite protocolo RDM, que posibilita información para supervisar cambiar las opciones del mapa de menú. Descargue el manual de usuario de [www.chauvetprofessional.com](http://www.chauvetprofessional.com) para una información más detallada.

### Montaje

Antes de montar este producto, lea las [Notas de Seguridad](#). Asegúrese de que las abrazaderas de montaje son capaces de soportar el peso del producto. Para nuestra línea Chauvet de abrazaderas de montaje, visite:

<http://trusst.com/productcategory/truss-clamps/>.

### Diagrama de Montaje del Producto



**Tubos de Lentes**

Los siguientes tubos de lentes están disponibles para su compra:

- 19°, 26°, 36° y 50° marco de gel (accesorios 6,25"/159 mm)
- 14°, 15–30° y 25°–50° marco de gel con zoom (accesorios 7,5"/191 mm)

**Rueda de Color Virtual (VCW)**

El Ovation E-910FC incluye una función de rueda de color virtual llamada Virtual Color Wheel (VCW). Esta función está disponible como modo de control independiente para uso manual y también como canal de control en algunas personalidades DMX del dispositivo. Más de 30 colores premezclados, elaborados por nuestros ingenieros, están disponibles para facilitarle la programación.

Los valores DMX utilizados para mezclar estos colores se indican más abajo. Puede ajustar la intensidad general del dispositivo Ovation para reproducir más fielmente los colores a los que esté habituado. Hay un gráfico a su disposición en nuestro sitio web [www.chauvetprofessional.com](http://www.chauvetprofessional.com) para comparar nuestros colores premezclados con los colores de gel más populares. Este gráfico sirve solamente para comparar y no implica que nuestros colores premezclados coincidan exactamente con los colores de gel listados.

**Tabla de colores VCW**

	<b>R</b>	<b>G</b>	<b>B</b>	<b>A</b>	<b>L</b>
<b>C3050-Md Yellow</b>	233	163	20	123	255
<b>C3040-Lt Yellow</b>	224	158	47	255	231
<b>C3240-Amb Yellow</b>	180	60	0	245	255
<b>C2340-VLt Amber</b>	245	107	81	255	213
<b>C2040-Lt Amber</b>	230	130	62	255	155
<b>C2050-Md Amber</b>	255	0	25	255	194
<b>C2060-Dk Amber</b>	255	0	24	255	150
<b>C1050-Lt Red</b>	255	37	27	30	38
<b>C1080-Md Red</b>	255	4	17	0	0
<b>C1020-NC Pink</b>	238	135	129	255	255
<b>C1030-Md Pink</b>	255	131	120	255	195
<b>C1630-Dk Pink</b>	250	165	123	255	210
<b>C1250-Md Red Amber</b>	255	0	41	195	55
<b>C1060-Dk Red Amber</b>	255	0	45	120	30
<b>C1650-Magenta</b>	255	50	115	255	115
<b>C6170-Dk Magenta</b>	255	35	117	0	0
<b>C6020-Lt Lavender</b>	127	122	142	251	255
<b>C5030-Lt Blue</b>	0	255	197	100	255
<b>C5020-VLt Blue</b>	158	255	189	0	255
<b>C5430-Lt Blue2</b>	0	255	180	0	243
<b>C5070-Blue</b>	43	255	210	43	36
<b>C5050-Md Blue</b>	0	255	218	0	181
<b>C5060-Dk Blue</b>	0	210	206	0	118
<b>C5690-Indigo</b>	65	0	210	40	55
<b>C5080-VDk Blue</b>	0	203	230	0	40
<b>C5081-VdK Blue2</b>	40	199	240	0	45
<b>C4370-Yel Green</b>	27	255	28	16	104
<b>C4070-Green</b>	49	255	55	120	90
<b>C4550-Turquoise</b>	60	230	109	0	245
<b>C4560-Aqua</b>	20	240	126	36	255
<b>C4570-Blue Green</b>	0	255	79	30	53



Nota: Los colores listados son interpretaciones simuladas de la emisión de color generada en comparación con otros productos incandescentes similares. Chauvet no garantiza la exactitud del color emitido.

### Gráfico de temperaturas de color

	R	G	B	A	L
<b>2800K</b>	187	130	97	255	255
<b>3000K</b>	177	145	105	255	255
<b>3200K</b>	168	157	113	255	255
<b>3500K</b>	163	177	124	255	255
<b>4000K</b>	151	195	141	255	255
<b>4500K</b>	145	214	157	255	255
<b>5000K</b>	138	227	170	255	255
<b>5600K</b>	130	239	184	255	255
<b>6000K</b>	126	246	193	255	255
<b>6500K</b>	120	254	201	255	255



Nota: Las temperaturas de color que aparecen arriba son interpretaciones simuladas de la emisión de color producida cuando se compara con una lámpara de tungsteno a la temperatura de color especificada. Chauvet no garantiza la exactitud del color emitido.

### Descripción del Panel de Control

Botón	Función
<MENU>	Sale del menú o función actual
<ENTER>	Habilita el menú actualmente en pantalla o configura el valor seleccionado actualmente dentro de la función seleccionada
<UP>	Navega hacia arriba por la lista de menú o aumenta el valor numérico cuando está en una función
<DOWN>	Navega hacia abajo por la lista de menú o disminuye el valor numérico cuando está en una función

### Mapa de Menú

Consulte la página del producto Ovation E-910FC en [www.chauvetprofessional.com](http://www.chauvetprofessional.com) para ver el último mapa de menú.

Principal	Niveles de Programación	Descripción
<b>DMX Address</b>	<b>001-512*</b>	Selecciona la dirección de inicio (*canal más alto restringido a la elección de personalidad)
	<b>1Ch</b>	1 canales: atenuador
<b>DMX Channel</b>	<b>3Ch</b>	3 canales: atenuador, VCW, temperatura de color
	<b>5Ch</b>	5 canales: RVAAL
	<b>7Ch</b>	7 canales: RVAAL, atenuador, estroboscopio
	<b>10Ch</b>	10 canales: 16-bits atenuador, RVAAL, estroboscopio, VCW, temperatura de color
	<b>12Ch</b>	12 canales: atenuador, RVAAL, estroboscopio, VCW, temperatura de color, programas automática, velocidad automática, control
	<b>13Ch</b>	13 canales: 16-bits RVAAL y atenuador, estroboscopio
	<b>16Ch</b>	16 canales: 16-bits atenuador, 16-bits RVAAL, estroboscopio, VCW, temperatura de color, control
	<b>HSV</b>	3 canales: tono, saturación, valor

Principal	Niveles de Programación		Descripción			
Virtual Color Wheel	Virtual Color Wheel	C3050 - Md Yellow	Dimmer 000–255	Rueda de Color Virtual simula la emisión de cada gel de color. Consulte la sección <a href="#">Tabla de colores VCW</a> para ver los valores específicos.		
		C3040 - Lt Yellow				
		C3240 - Amb Yellow				
		C2340 - VLt Amber				
		C2040 - Lt Amber				
		C2050 - Md Amber				
		C2060 - Dk Amber				
		C1050 - Lt Red				
		C1080 - Md Red				
		C1020 - NC Pink				
		C1030 - Md Pink				
		C1630 - Dk Pink				
		C1250 - Md Red Amber				
		C1060 - Dk Red Amber				
		C1650 - Magenta				
		C6170 - Dk Magenta				
		C6020 - Lt Lavender				
		C5030 - Lt Blue				
		C5020 - VLt Blue				
		C5430 - Lt Blue 2				
		C5070 - Blue				
		C5050 - Md Blue				
		C5060 - Dk Blue				
		C5690 - Indigo				
C5080 - Vdk Blue						
C5081 - Vdk Blue 2						
C4370 - Yel Green						
C4070 - Green						
C4550 - Turquoise						
C4560 - Aqua						
C4570 - Blue Green						
Virtual Color Wheel (cont.)	Color Temperature	2800K	Dimmer 000–255	Temperaturas de color blanco. Emula una lámpara de tungsteno a la temperatura de color especificada. Consulte el apartado <a href="#">Gráfico de temperaturas de color</a> para ver valores concretos.		
		3000K				
		3200K				
		3500K				
		4000K				
		4500K				
		5000K				
		5600K				
		6000K				
		6500K				
		Red			000–255	Combina rojo, verde, azul, ámbar y lime para generar un color personalizado (0–100%)
		Green				
		Blue				
		Amber				
Lime						
Auto Show	Auto 1–5	1–100	Selecciona programas automáticos y velocidad			
Red Shift	On	Off	Imita la atenuación de una lámpara halógena			
Master/ Slave	Master	Slave	Recibe señales DMX del controlador DMX (maestro)			
			Recibe señales del maestro			
Dimmer Curve	SCurve		Configura la curva del atenuador			
	Linear					
	Square					
	Inverse Square					
Dimmer Mode	Off		Atenuador lineal			
	Dimmer 1–3		Curvas de atenuador, rápido ( <b>Dimmer 1</b> ) a lento ( <b>Dimmer 3</b> )			



Principal	Niveles de Programación		Descripción
White Balance	Manual	Off	Utiliza la configuración de blanco predeterminada de fábrica
		Red	Establece el valor máximo de LED rojo
		Green	Establece el valor máximo de LED verde
		Blue	Establece el valor máximo de LED azul
		Amber	Establece el valor máximo de LED ámbar
		Lime	Establece el valor máximo de LED lime
LED Frequency	125–255		Selecciona la frecuencia de emisión PWM
	600Hz		
	1200Hz		
	2000Hz		
	4000Hz		
	6000Hz		
Fan Mode	25KHz		Establece el ventilador a modo auto
	Auto		
	On		
	Off		
Back Light	Silent		Establece el ventilador siempre encendido
	10S		Establece el ventilador siempre apagado
	30S		Establece el ventilador en silencio
	2Min		Retro-iluminación se apaga después de 10 segundos
	Always On		Retro-iluminación se apaga después de 30 segundos
Information	Fixture Hours	----_H	Retro-iluminación se apaga después de 2 minutos
	LED Hours	--_H	Retro-iluminación de la pantalla siempre activa
	Version	V_._	Muestra el nombre total de las horas del producto
	UID	-----	Muestra el nombre total de las horas del LED
Reset Factory	No		Muestra instalada la versión de firmware
	Yes		Muestra el UID # del producto



**ADVERTENCIA:** Cuando funcione en modo ventilador: apagado, el aparato estará más caliente al tacto que si se usan otros modos de ventilador. Utilice un equipo de protección adecuado para evitar quemaduras. Mantenga una distancia de seguridad con objetos inflamable.



**AVISO:** Cuando funcione en modo ventilador: apagado, bajará el rendimiento del aparato y no alcanzará los mismos niveles que cuando use otros modos de ventilador.



DMX Values

HSV

Canal	Función	Valor	Porcentaje/Configuración
1	Tono	000 ⇄ 255	0–100%
2	Saturación	000 ⇄ 255	0–100%
3	Valor	000 ⇄ 255	0–100%

16Ch

Canal	Función	Valor	Porcentaje/Configuración
1	Atenuador	000 ⇄ 255	0–100%
2	Atenuador fino	000 ⇄ 255	0–100%
3	Rojo	000 ⇄ 255	0–100%
4	Rojo fino	000 ⇄ 255	0–100%
5	Verde	000 ⇄ 255	0–100%
6	Verde fino	000 ⇄ 255	0–100%
7	Azul real	000 ⇄ 255	0–100%
8	Azul real fino	000 ⇄ 255	0–100%
9	Ámbar	000 ⇄ 255	0–100%
10	Ámbar fino	000 ⇄ 255	0–100%
11	Lima	000 ⇄ 255	0–100%
12	Lima fino	000 ⇄ 255	0–100%
13	Estroboscopio	000 ⇄ 010 011 ⇄ 255	Sin función Estroboscopio, lento a rápido
14	Rueda de color virtual	000 ⇄ 255	Referirse a <a href="#">Tabla de colores VCW</a>
15	Temperatura del color	000 ⇄ 255	Referirse a <a href="#">Gráfico de temperaturas de color</a>
16	Control (mantenga para 3 segundos)	000 ⇄ 007 008 ⇄ 015 016 ⇄ 023 024 ⇄ 031 032 ⇄ 039 040 ⇄ 047 048 ⇄ 055 056 ⇄ 063 064 ⇄ 071 072 ⇄ 079 080 ⇄ 087 088 ⇄ 095 096 ⇄ 103 104 ⇄ 111 112 ⇄ 119 120 ⇄ 127 128 ⇄ 255	Sin función Reiniciar el atenuador Cambio a rojo apagado Cambio a rojo encendido Curva de atenuador curva-S Curva de atenuador lineal Curva de atenuador cuadrado Curva atenuador cuadrado inverso Modo velocidad del atenuador desactivado Velocidad de atenuador 1 (rápida) Velocidad de atenuador 2 Velocidad de atenuador 3 (lenta) Ventilador a modo auto Ventilador a modo encendido Ventilador a modo apagado Ventilador a modo silencio Reservado para utilización futura

ES

13Ch

Canal	Función	Valor	Porcentaje/Configuración
1	Atenuador	000 ⇔ 255	0–100%
2	Atenuador fino	000 ⇔ 255	0–100%
3	Rojo	000 ⇔ 255	0–100%
4	Rojo fino	000 ⇔ 255	0–100%
5	Verde	000 ⇔ 255	0–100%
6	Verde fino	000 ⇔ 255	0–100%
7	Azul real	000 ⇔ 255	0–100%
8	Azul real fino	000 ⇔ 255	0–100%
9	Ámbar	000 ⇔ 255	0–100%
10	Ámbar fino	000 ⇔ 255	0–100%
11	Lima	000 ⇔ 255	0–100%
12	Lima fino	000 ⇔ 255	0–100%
13	Estroboscopio	000 ⇔ 010 011 ⇔ 255	Sin función Estroboscopio, lento a rápido

12Ch

Canal	Función	Valor	Porcentaje/Configuración
1	Atenuador	000 ⇔ 255	0–100%
2	Rojo	000 ⇔ 255	0–100%
3	Verde	000 ⇔ 255	0–100%
4	Azul	000 ⇔ 255	0–100%
5	Ámbar	000 ⇔ 255	0–100%
6	Lima	000 ⇔ 255	0–100%
7	Estroboscopio	000 ⇔ 010 011 ⇔ 255	Sin función Estroboscopico, lento a rápido
8	Rueda de color virtual	000 ⇔ 255	Referirse a <a href="#">Tabla de colores VCW</a>
9	Temperatura del color	000 ⇔ 255	Referirse a <a href="#">Gráfico de temperaturas de color</a>
10	Programas automática	000 ⇔ 010	Sin función
		011 ⇔ 060	Auto programas 1
		061 ⇔ 110	Auto programas 2
		111 ⇔ 160	Auto programas 3
		161 ⇔ 210	Auto programas 4
211 ⇔ 255	Auto programas 5		
11	Velocidad automática	000 ⇔ 255	0–100%
12	Control (mantenga para 3 segundos)	000 ⇔ 007	Sin función
		008 ⇔ 015	Reiniciar el atenuador
		016 ⇔ 023	Cambio a rojo apagado
		024 ⇔ 031	Cambio a rojo encendido
		032 ⇔ 039	Curva de atenuador curva-S
		040 ⇔ 047	Curva de atenuador lineal
		048 ⇔ 055	Curva de atenuador cuadrado
		056 ⇔ 063	Curva atenuador cuadrado inverso
		064 ⇔ 071	Modo velocidad del atenuador desactivado
		072 ⇔ 079	Velocidad de atenuador 1 (rápida)
		080 ⇔ 087	Velocidad de atenuador 2
		088 ⇔ 095	Velocidad de atenuador 3 (lenta)
		096 ⇔ 103	Ventilador a modo auto
		104 ⇔ 111	Ventilador a modo encendido
		112 ⇔ 119	Ventilador a modo apagado
120 ⇔ 127	Ventilador a modo silencio		
128 ⇔ 255	Reservado para utilización futura		

**10Ch**

Canal	Función	Valor	Porcentaje/Configuración
1	Atenuador	000 ⇔ 255	0–100%
2	Atenuador fino	000 ⇔ 255	0–100%
3	Rojo	000 ⇔ 255	0–100%
4	Verde	000 ⇔ 255	0–100%
5	Azul	000 ⇔ 255	0–100%
6	Ámbar	000 ⇔ 255	0–100%
7	Lima	000 ⇔ 255	0–100%
8	Estroboscopio	000 ⇔ 010 011 ⇔ 255	Sin función Estroboscopico, lento a rápido
9	Rueda de color virtual	000 ⇔ 255	Referirse a <a href="#">Tabla de colores VCW</a>
10	Temperatura del color	000 ⇔ 255	Referirse a <a href="#">Gráfico de temperaturas de color</a>

**7Ch**

Canal	Función	Valor	Porcentaje/Configuración
1	Atenuador	000 ⇔ 255	0–100%
2	Rojo	000 ⇔ 255	0–100%
3	Verde	000 ⇔ 255	0–100%
4	Azul	000 ⇔ 255	0–100%
5	Ámbar	000 ⇔ 255	0–100%
6	Lima	000 ⇔ 255	0–100%
7	Estroboscopio	000 ⇔ 010 011 ⇔ 255	Sin función Estroboscopico, lento a rápido

**5Ch**

Canal	Función	Valor	Porcentaje/Configuración
1	Rojo	000 ⇔ 255	0–100%
2	Verde	000 ⇔ 255	0–100%
3	Azul	000 ⇔ 255	0–100%
4	Ámbar	000 ⇔ 255	0–100%
5	Lima	000 ⇔ 255	0–100%

**3Ch**

Canal	Función	Valor	Porcentaje/Configuración
1	Atenuador	000 ⇔ 255	0–100%
2	Temperatura del color	000 ⇔ 255	Referirse a <a href="#">Tabla de colores VCW</a>
3	Rueda de color virtual	000 ⇔ 255	Referirse a <a href="#">Gráfico de temperaturas de color</a>

**1Ch**

Channel	Funcion	Value	Percent/Setting
1	Atenuador	000 ⇔ 255	0–100%

## À Propos de ce Manuel

Le Manuel de Référence du Ovation E-910FC (MR) reprend des informations de base sur cet appareil notamment en matière de connexions, montage, options de menu et valeurs DMX. Télécharger le Manuel d'Utilisation sur [www.chauvetprofessional.com](http://www.chauvetprofessional.com) pour de plus amples informations.

### Clause de Non-Responsabilité

Les informations et caractéristiques contenues dans ce manuel sont sujettes à changement sans préavis.

### GARANTIE LIMITÉE

**VEUILLEZ VISITER NOTRE SITE INTERNET POUR CONSULTER LES MODALITÉS D'ENREGISTREMENT DE LA GARANTIE ET LES CONDITIONS GÉNÉRALES COMPLÈTES.**

**Pour les clients aux États-Unis et au Mexique:** [www.chauvetlighting.com/warranty-registration](http://www.chauvetlighting.com/warranty-registration).

**Pour les clients du Royaume-Uni, de la République d'Irlande, de la Belgique, des Pays-Bas, du Luxembourg, de la France et de l'Allemagne:** [www.chauvetlighting.eu/warranty-registration/](http://www.chauvetlighting.eu/warranty-registration/).

Chauvet garantit que cet appareil est exempt de défauts de matériaux et de fabrication dans des conditions normales d'utilisation, pendant la période spécifiée dans la garantie limitée complète consultable sur notre site Internet et sous réserve des exclusions et limitations qui y sont énoncées. Cette garantie ne s'applique qu'à l'acheteur initial du produit et n'est pas transférable. Pour exercer les droits prévus par cette garantie, vous devez fournir une preuve d'achat sous la forme d'un reçu de vente original d'un revendeur autorisé qui indique le nom du produit et la date d'achat. IL N'EXISTE AUCUNE AUTRE GARANTIE EXPRESSE OU IMPLICITE. Cette garantie vous confère des droits légaux spécifique. Vous pouvez également bénéficier d'autres droits qui varient selon les états et les pays. Cette garantie n'est valable qu'aux États-Unis, au Royaume-Uni, en République d'Irlande, en Belgique, aux Pays-Bas, au Luxembourg, en France, en Allemagne et au Mexique. Pour connaître les conditions de garantie dans d'autres pays, veuillez consulter votre revendeur local.

### Consignes de Sécurité

- Le luminaire doit être placé de manière à ce qu'il ne soit pas possible de le regarder de manière fixe à une distance inférieure à 3,0 m.
- Si le câble ou le cordon flexible externe de ce luminaire est endommagé, il doit être remplacé par un câble ou cordon spécial disponible exclusivement auprès du fabricant ou de son prestataire de service.
- La source lumineuse contenue dans ce luminaire ne peut être remplacée que par le fabricant ou son prestataire de service ou une personne suffisamment qualifiée.
- Ce luminaire est uniquement réservé à un usage professionnel.
- N'ouvrez PAS cet appareil. Il ne contient aucun composant susceptible d'être réparé par l'utilisateur.
- Ne regardez PAS la source lumineuse lorsque l'appareil fonctionne.
- N'utilisez PAS ce produit en extérieur ou tout autre endroit où de la poussière, une chaleur excessive, de l'eau ou de l'humidité pour en affecter le fonctionnement (IP20).
- Ne laissez AUCUNE source inflammable dans un rayon de 50 cm de l'appareil lorsque celui-ci fonctionne.
- N'utilisez PAS cet appareil si le boîtier, les lentilles ou les câbles vous semblent endommagés.
- Ne connectez PAS cet appareil ni à un gradateur ni à un rhéostat.
- ATTENTION : le boîtier de cet appareil est brûlant lors du fonctionnement.
- ATTENTION : Lorsque l'appareil est transféré d'un environnement à température extrême à un autre (par exemple d'un camion froid vers une salle de bal chaude et humide), de la condensation peut se former sur les composants électriques internes. Pour éviter de causer des dommages, laissez l'appareil s'acclimater entièrement au milieu environnant avant de le mettre sous tension.
- Utilisez TOUJOURS un câble de sécurité lorsque vous montez cet appareil en hauteur.
- Connectez UNIQUEMENT cet appareil à un circuit protégé et relié à la terre.
- Transportez/Suspendez cet appareil UNIQUEMENT par le support de montage dont il est doté.
- Montez toujours cet appareil dans un endroit bien ventilé, à au moins, 20 pouces (50 cm) des surfaces adjacentes.
- Durant les périodes de non-utilisation, pour éviter toute usure inutile et pour prolonger la durée de vie, déconnectez-entièrement l'appareil en le débranchant de l'alimentation électrique ou en coupant le disjoncteur.
- En cas de sérieux problèmes de fonctionnement, arrêtez le système immédiatement.
- La température ambiante maximale supportée par cet appareil est de 113 °F (45 °C). Ne le faites pas fonctionner à des températures plus élevées.

### Conformité FCC

Cet appareil est conforme à la partie 15, sous-partie B du règlement de la FCC. L'utilisation est soumise aux deux conditions suivantes :

1. Cet appareil ne doit pas causer d'interférences nuisibles, et
2. Cet appareil doit accepter toutes les interférences reçues, y compris celles pouvant entraîner un fonctionnement indésirable.

Tout changement ou modification non expressément approuvé par l'autorité responsable de la conformité pourrait annuler le droit de l'utilisateur à utiliser l'équipement.

### Contact

En dehors des États-Unis, du Royaume-Uni, de l'Irlande, du Benelux, de la France, de l'Allemagne, ou du Mexique, contactez votre fournisseur si vous avez besoin d'assistance ou de retourner votre appareil. Consultez le site [Contact Us](#) pour trouver nos coordonnées.

### Ce Qui est Inclus

- Ovation E-910FC
- Un cordon d'alimentation Neutrik® powerCON®
- Filtre de flou
- Un Manuel de Référence



S'il y a un film de protection sur le filtre soft-focus, il faut l'enlever avant de l'utiliser. Le filtre est situé dans un support dans la fente métallique du gobo.

### Alimentation CA

Cet appareil est doté d'une alimentation universelle prenant en charge toute tension d'entrée comprise entre 100 et 240 VCA, 50/60 Hz.

### Connexion Électrique

Vous pouvez connecter jusqu'à 6 Ovation E-910FC à 100 V, 7 unités à 120 V, 13 unités à 208 V, 14 unités à 230 V, ou 15 unités à 240 V. Ne dépassez jamais cette limite. Vous pouvez vous procurer séparément des cordons d'alimentation.

### Prise CA

Connexion	Câble (États-Unis)	Câble (Europe)	Couleur de la vis
Conducteur CA	Noir	Marron	Jaune/Cuivré
Neutre CA	Blanc	Bleu	Argenté
Terre CA	Vert/Jaune	Vert/Jaune	Vert



**Durant les périodes de non-utilisation, pour éviter toute usure inutile et pour prolonger la durée de vie, déconnectez-entièrement l'appareil en le débranchant de l'alimentation électrique ou en coupant le disjoncteur.**

### Remplacement du Fusible

1. Débranchez l'appareil de la prise.
2. À l'aide d'un tournevis Phillips, dévissez le couvercle du porte-fusible.
3. Remplacez le fusible obsolète par un fusible neuf équivalent.
4. Revissez le couvercle du porte-fusible et rebranchez l'unité.

### Raccordement DMX

Le Ovation E-910FC fonctionnera avec un jeu d'orgues DMX au moyen de connexions série DMX à 3 et 5 broches. Une introduction au DMX est à votre disposition sur [www.chauvetprofessional.com](http://www.chauvetprofessional.com).

### Connexion DMX

Le Ovation E-910FC utilise une connexion de données DMX à 3 et 5 broches pour ses personnalités DMX: **1Ch, 3Ch, 5Ch, 7Ch, 10Ch, 12Ch, 13Ch, 16Ch** et **HSV**. Consultez le Manuel d'Utilisation pour connecter et configurer le système DMX.

### Connexion Maître/ Esclave

Le Ovation E-910FC utilise une connexion de données DMX pour son mode Maître/Esclave. Consultez le Manuel d'Utilisation pour connecter et configurer le mode de fonctionnement Maître/Esclave.

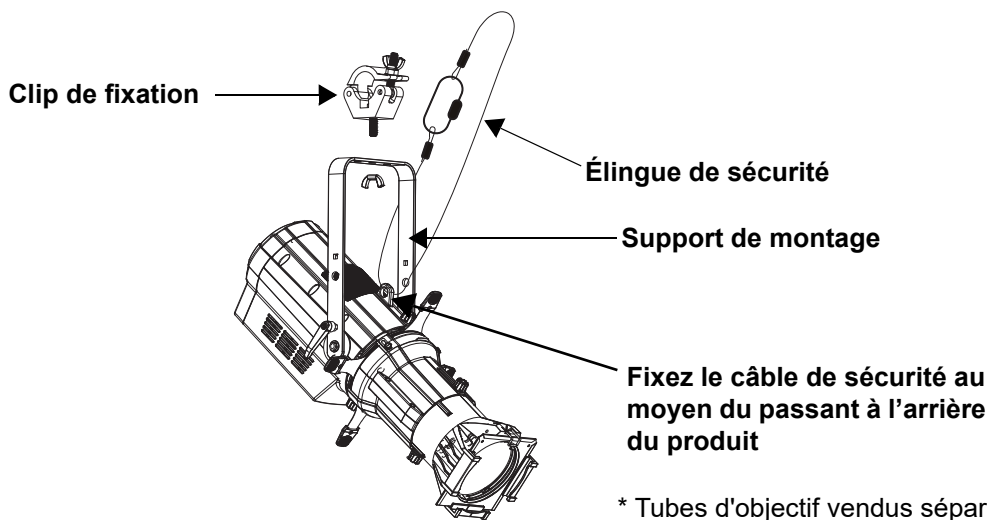
### RDM (Gestion des périphériques à distance)

Le protocole RDM (gestion des périphériques à distance) est un standard pour la communication bidirectionnelle des appareils dotés de fonctions DMX dans un câblage DMX existant. Le Ovation E-910FC supporte le protocole RDM permettant un retour d'information pour la surveillance et des changements des options de menu. Veuillez télécharger le manuel de l'utilisateur à partir du site internet [www.chauvetprofessional.com](http://www.chauvetprofessional.com) pour plus de détails.

### Installation

Avant de monter cet appareil, lisez et assimilez les [Consignes de Sécurité](#). Veillez à ce que les fixations sont capables de supporter le poids de l'unité. Découvrez notre gamme de fixations Chauvet sur <http://trusst.com/productcategory/truss-clamps/>.

### Schéma de Montage de l'Appareil



### Montage en Hauteur

### Lens Tubes

Les tubes de lentilles suivantes sont disponibles à l'achat:

- 19°, 26°, 36° et 50° gélatine (accessoires 6,25 pouces/159 mm)
- 14°, 15–30° et 25°–50° zoom gélatine (accessoires 7,5 pouces/191 mm)

### Roue de Couleurs Virtuelles (VCW)

Le Ovation E-910FC dispose d'une fonction appelée Roue de Couleur Virtuelle (VCW - Virtual Color Wheel). Cette fonction est disponible en mode de contrôle autonome pour une utilisation manuelle mais également en tant que canal de contrôle dans certaines personnalités DMX. Plus de 30 couleurs pré-mélangées, personnalisées par nos ingénieurs, sont disponibles pour faciliter la programmation.

Les valeurs DMX utilisées pour mélanger ces couleurs sont indiquées ci-dessous. Vous pouvez ajuster l'intensité globale du Ovation afin de reproduire plus fidèlement les couleurs que vous avez l'habitude d'utiliser. Un graphique est disponible sur notre site Web à l'adresse [www.chauvetprofessional.com](http://www.chauvetprofessional.com) pour comparer nos couleurs pré-mélangées avec des couleurs de gel populaires. Ce tableau est fourni uniquement à des fins de comparaison et ne certifie pas que nos couleurs pré-mélangées correspondent aux couleurs de gel énumérées.

### Gamme de couleurs

	R	G	B	A	L
<b>C3050-Md Yellow</b>	233	163	20	123	255
<b>C3040-Lt Yellow</b>	224	158	47	255	231
<b>C3240-Amb Yellow</b>	180	60	0	245	255
<b>C2340-VLt Amber</b>	245	107	81	255	213
<b>C2040-Lt Amber</b>	230	130	62	255	155
<b>C2050-Md Amber</b>	255	0	25	255	194
<b>C2060-Dk Amber</b>	255	0	24	255	150
<b>C1050-Lt Red</b>	255	37	27	30	38
<b>C1080-Md Red</b>	255	4	17	0	0
<b>C1020-NC Pink</b>	238	135	129	255	255
<b>C1030-Md Pink</b>	255	131	120	255	195
<b>C1630-Dk Pink</b>	250	165	123	255	210
<b>C1250-Md Red Amber</b>	255	0	41	195	55
<b>C1060-Dk Red Amber</b>	255	0	45	120	30
<b>C1650-Magenta</b>	255	50	115	255	115
<b>C6170-Dk Magenta</b>	255	35	117	0	0
<b>C6020-Lt Lavender</b>	127	122	142	251	255
<b>C5030-Lt Blue</b>	0	255	197	100	255
<b>C5020-VLt Blue</b>	158	255	189	0	255
<b>C5430-Lt Blue2</b>	0	255	180	0	243
<b>C5070-Blue</b>	43	255	210	43	36
<b>C5050-Md Blue</b>	0	255	218	0	181
<b>C5060-Dk Blue</b>	0	210	206	0	118
<b>C5690-Indigo</b>	65	0	210	40	55
<b>C5080-Vdk Blue</b>	0	203	230	0	40
<b>C5081-Vdk Blue2</b>	40	199	240	0	45
<b>C4370-Yel Green</b>	27	255	28	16	104
<b>C4070-Green</b>	49	255	55	120	90
<b>C4550-Turquoise</b>	60	230	109	0	245
<b>C4560-Aqua</b>	20	240	126	36	255
<b>C4570-Blue Green</b>	0	255	79	30	53



Remarque: Les couleurs ci-dessus sont des rendus simulés de couleurs produits sur base des couleurs émises par les appareils à incandescence. Chauvet ne peut garantir l'exactitude du rendu d'une couleur.

### Gamme des températures de couleur

	R	G	B	A	L
<b>2800K</b>	187	130	97	255	255
<b>3000K</b>	177	145	105	255	255
<b>3200K</b>	168	157	113	255	255
<b>3500K</b>	163	177	124	255	255
<b>4000K</b>	151	195	141	255	255
<b>4500K</b>	145	214	157	255	255
<b>5000K</b>	138	227	170	255	255
<b>5600K</b>	130	239	184	255	255
<b>6000K</b>	126	246	193	255	255
<b>6500K</b>	120	254	201	255	255



Remarque: Les températures de couleur ci-dessus sont des rendus simulés de la sortie de couleur effectivement générée par comparaison avec une lampe tungstène à la température de couleur spécifiée. Chauvet ne donne aucune garantie sur la précision de la sortie de couleur.

### Description du Tableau de Commandes

Bouton	Fonction
<MENU>	Permet la sortie du menu ou de la fonction en cours
<ENTER>	Permet l'affichage du menu en cours ou permet de configurer la valeur en cours dans la fonction sélectionnée
<UP>	Permet de parcourir les listes ou les menus vers le haut, dans une fonction permet d'augmenter les valeurs numériques
<DOWN>	Permet de parcourir les listes ou les menus vers le bas, dans une fonction permet de diminuer les valeurs numériques

### Tableau de Menu

Reportez-vous à la page du produit Ovation E-910FC sur [www.chauvetprofessional.com](http://www.chauvetprofessional.com) pour la dernière carte des menu.

Principal	Niveaux de Programmation	Description
<b>DMX Address</b>	<b>001–512*</b>	Permet de sélectionner l'adresse de démarrage (*le canal le plus élevé est restreint à la personnalité choisie)
	<b>1Ch</b>	1 canal: gradateur
<b>DMX Channel</b>	<b>3Ch</b>	3 canaux: gradateur, VCW, température de la couleur
	<b>5Ch</b>	5 canaux: RVBAL
	<b>7Ch</b>	7 canaux: RVBAL, gradateur, stroboscope
	<b>10Ch</b>	10 canaux: gradateur 16 bits, RVBAL control, stroboscope, VCW, température de la couleur
	<b>12Ch</b>	12 canaux: gradateur, RVBAL, stroboscope, VCW, température de couleur, programmes automatique, vitesse automatique, contrôle
	<b>13Ch</b>	13 canaux: gradateur 16 bits, RVBAL 16 bits, stroboscope
	<b>16Ch</b>	16 canaux: gradateur 16 bits, RVBAL 16 bits, stroboscope, VCW, température de la couleur, contrôle
	<b>HSV</b>	3 canaux: hue, saturation, value



Principal	Niveaux de Programmation		Description					
Virtual Color Wheel	Virtual Color Wheel	C3050 - Md Yellow	Dimmer 000–255	Roue de Couleurs Virtuelles (VCW) simule le rendu des gélâtines de couleur. Consultez la section <a href="#">Gamme de couleurs</a> pour en connaître les valeurs spécifiques.				
		C3040 - Lt Yellow						
		C3240 - Amb Yellow						
		C2340 - VLt Amber						
		C2040 - Lt Amber						
		C2050 - Md Amber						
		C2060 - Dk Amber						
		C1050 - Lt Red						
		C1080 - Md Red						
		C1020 - NC Pink						
		C1030 - Md Pink						
		C1630 - Dk Pink						
		C1250 - Md Red Amber						
		C1060 - Dk Red Amber						
		C1650 - Magenta						
		C6170 - Dk Magenta						
		C6020 - Lt Lavender						
		C5030 - Lt Blue						
		C5020 - VLt Blue						
		C5430 - Lt Blue 2						
		C5070 - Blue						
		C5050 - Md Blue						
		C5060 - Dk Blue						
		C5690 - Indigo						
C5080 - Vdk Blue								
C5081 - Vdk Blue 2								
C4370 - Yel Green								
C4070 - Green								
C4550 - Turquoise								
C4560 - Aqua								
C4570 - Blue Green								
Virtual Color Wheel (suite)	Color Temperature	2800K	Dimmer 000–255	Températures de couleur de blanc prédéfinies. Simule une lampe tungstène à la température de couleur spécifiée. Référez vous à la section <a href="#">Gamme des températures de couleur</a> pour les valeurs spécifiques				
		3000K						
		3200K						
		3500K						
		4000K						
		4500K						
		5000K						
		5600K						
		6000K						
		6500K						
		Manual Color Mixer			Manual Color Mixer	Red	000–255	Combine les couleurs rouge, vert, bleu, ambre et lime pour un résultat personnalisé (0–100%)
						Green		
						Blue		
						Amber		
Lime								
Auto Show	Auto 1–5	1–100	Sélectionne les programmes automatiques et vitesse					
Red Shift	On		Imite la gradation des lampes halogènes					
	Off							
Master/ Slave	Master		Recevez le signal DMX du contrôleur DMX (maître)					
	Slave		Recevoir le signal de l'unité maître (esclave)					
Dimmer Curve	SCurve		Définir la courbe de gradation					
	Linear							
	Square							
	Inverse Square							
Dimmer Mode	Off		Gradateur linéaire					
	Dimmer 1–3		Courbes de gradation rapide ( <b>Dimmer 1</b> ) à lent ( <b>Dimmer 3</b> )					



Principal	Niveaux de Programmation		Description	
White Balance	Manual	Off	Utilise le paramétrage de blanc défini en usine	
		Red	Définit la valeur maximale de LED rouge	
		Green	Définit la valeur maximale de LED vert	
		Blue	Définit la valeur maximale de LED bleu	
		Amber	Définit la valeur maximale de LED ambre	
		Lime	Définit la valeur maximale de LED lime	
LED Frequency			Permet de sélectionner la fréquence de sortie MLI	
	600Hz			
	1200Hz			
	2000Hz			
	4000Hz			
	6000Hz			
Fan Mode			Régler le ventilateur en mode automatique	
	Auto			
	On			Régler le mode de ventilateur toujours
	Off			Régler le ventilateur sur toujours
Back Light			Régler le ventilateur sur silencieux	
	Silent			
	10S			Désactive rétro-éclairage après 10 secondes
	30S			Désactive rétro-éclairage après 30 secondes
Information	2Min		Désactive rétro-éclairage après 2 minutes	
	Always On		Affichage rétro-éclairage toujours active	
	Fixture Hours	----H	Affiche le nombre total des heures du produit	
Reset Factory	LED Hours	----H	Affiche le nombre total des heures du LED	
	Version	V_._	Affiche la version du logiciel installée	
	UID	-----	Affiche UID actuel	
Reset Factory	No		Permet de réinitialiser aux valeurs par défaut d'usine	
	Yes			



**ATTENTION:** Lors du fonctionnement en mode ventilateur: Lorsque le ventilateur est à l'arrêt, l'appareil devient plus chaud au toucher que lors de l'utilisation des autres modes de ventilateur. Utilisez un équipement de protection approprié pour prévenir des brûlures. Tenir à l'écart de tout objet inflammable.



**REMARQUE:** Lors du fonctionnement en mode ventilateur: Lorsque le ventilateur est à l'arrêt, le rendement de l'appareil est réduit et ne peut pas atteindre les mêmes niveaux que lors de l'utilisation des autres modes de ventilateur.

Niveaux de Programmation			Description	
Test Mode			Test Mode Niveau Principal	
Test Mode	Auto Test		Effectuer un test automatique de toutes les fonctions	
	Manual Test	Pan		000-255
		Tilt		
		P/T Speed		
		Red		
		Green		
		Blue		
		White		
		CTC		
		Color		
		Pattern		
		LED Macro		
		LED Ma. Speed		
		LED Ma. Fade		
		Background		
		Background Dim.		
Dimmer				
Shutter				
Function				
Zoom				
Setup			Setup Niveau Principal	

Niveaux de Programmation			Description	
Setup	Network Settings	IP Mode	Manual	Réglage manuel de l'adresse IP
			DHCP	L'adresse IP est définie par le réseau
			Static	L'adresse IP est définie par l'appareil
		IP	-----	Réglage de l'adresse IP en mode manuel
		SubMask	-----	Réglage du masque de sous-réseau en mode manuel
	Pan Reverse		NO	Fonctionnement normal du pan
			YES	Fonctionnement inversé du pan
	Tilt Reverse		NO	Fonctionnement normal du tilt
			YES	Fonctionnement inversé du tilt
	Zoom Reverse		NO	Zoom normal
			YES	Zoom inverse
	Screen Reverse		NO	L'écran s'affiche à normal
			YES	L'écran s'affiche à l'envers
			AUTO	Orientation automatique de l'écran
	Pan Angle		540	Plage d'angle de pan: 540°
			360	Plage d'angle de pan: 360°
		180	Plage d'angle de pan: 180°	
Tilt Angle		270	Plage d'angle de tilt: 270°	
		180	Plage d'angle de tilt: 180°	
		90	Plage d'angle de tilt: 90°	
BL. O. P/T Move		NO	Pas de noir général pendant le pan/tilt	
		YES	Noir général pendant le pan/tilt	
Calibration		NO	Conserver les paramètres actuels	
		YES	Calibration de l'écran tactile	
Touchscreen Lock		NO	L'écran réponds au toucher	
		YES	L'écran ne réponds pas au toucher	
Lock Screen		NO	Boutons de verrouillage et écran tactile	
		YES	Mot de Passe: 0920	

DMX Values

HSV

Canal	Fonction	Valeur	Pourcentage/Configuration
1	Teint	000 ⇄ 255	0–100%
2	Saturation	000 ⇄ 255	0–100%
3	Valeur	000 ⇄ 255	0–100%

16Ch

Canal	Fonction	Valeur	Pourcentage/Configuration
1	Gradateur	000 ⇄ 255	0–100%
2	Gradateur fin	000 ⇄ 255	0–100%
3	Rouge	000 ⇄ 255	0–100%
4	Rouge fin	000 ⇄ 255	0–100%
5	Vert	000 ⇄ 255	0–100%
6	Vert fin	000 ⇄ 255	0–100%
7	Bleu	000 ⇄ 255	0–100%
8	Bleu fin	000 ⇄ 255	0–100%
9	Ambre	000 ⇄ 255	0–100%
10	Ambre fin	000 ⇄ 255	0–100%
11	Lime	000 ⇄ 255	0–100%
12	Lime fin	000 ⇄ 255	0–100%
13	Stroboscope	000 ⇄ 010 011 ⇄ 255	Pas de fonction Stroboscope, lent à rapide
14	Roue de couleurs virtuelle	000 ⇄ 255	Consultez la section <a href="#">Gamme de couleurs</a>
15	Température de couleur	000 ⇄ 255	Consultez la section <a href="#">Gamme des températures de couleur</a>
16	Contrôle (maintenez pendant 3 secondes)	000 ⇄ 007	Pas de fonction
		008 ⇄ 015	Réinitialisation du gradateur
		016 ⇄ 023	Décalage rouge activé
		024 ⇄ 031	Décalage rouge désactivé
		032 ⇄ 039	Courbe de gradateur S-courbe
		040 ⇄ 047	Courbe de gradateur linéaire
		048 ⇄ 055	Courbe de gradation carrée
		056 ⇄ 063	Courbe de gradation carrée inverse
		064 ⇄ 071	Arrêt du mode de vitesse d'assombrissement
		072 ⇄ 079	Mode 1 de vitesse d'assombrissement (rapide)
		080 ⇄ 087	Mode 2 de vitesse d'assombrissement
		088 ⇄ 095	Mode 3 de vitesse d'assombrissement (lente)
		096 ⇄ 103	Ventilateur automatique
		104 ⇄ 111	Ventilateur allumé
112 ⇄ 119	Ventilateur éteint		
120 ⇄ 127	Ventilateur silencieux		
128 ⇄ 255	Réservé pour une utilisation future		

FR

13Ch

Canal	Fonction	Valeur	Pourcentage/Configuration
1	Gradateur	000 ⇔ 255	0–100%
2	Gradateur fin	000 ⇔ 255	0–100%
3	Rouge	000 ⇔ 255	0–100%
4	Rouge fin	000 ⇔ 255	0–100%
5	Vert	000 ⇔ 255	0–100%
6	Vert fin	000 ⇔ 255	0–100%
7	Bleu	000 ⇔ 255	0–100%
8	Bleu fin	000 ⇔ 255	0–100%
9	Ambre	000 ⇔ 255	0–100%
10	Ambre fin	000 ⇔ 255	0–100%
11	Lime	000 ⇔ 255	0–100%
12	Lime fin	000 ⇔ 255	0–100%
13	Stroboscope	000 ⇔ 010 011 ⇔ 255	Pas de fonction Stroboscope, lent à rapide

12Ch

Canal	Fonction	Valeur	Pourcentage/Configuration
1	Gradateur	000 ⇔ 255	0–100%
2	Rouge	000 ⇔ 255	0–100%
3	Vert	000 ⇔ 255	0–100%
4	Bleu	000 ⇔ 255	0–100%
5	Ambre	000 ⇔ 255	0–100%
6	Lime	000 ⇔ 255	0–100%
7	Stroboscope	000 ⇔ 010 011 ⇔ 255	Pas de fonction Stroboscope, lent à rapide
8	Roue de couleurs virtuelle	000 ⇔ 255	Consultez la section <a href="#">Gamme de couleurs</a>
9	Température de couleur	000 ⇔ 255	Consultez la section <a href="#">Gamme des températures de couleur</a>
10	Programmes automatiques	000 ⇔ 010 011 ⇔ 060 061 ⇔ 110 111 ⇔ 160 161 ⇔ 210 211 ⇔ 255	Pas de fonction Auto programmes 1 Auto programmes 2 Auto programmes 3 Auto programmes 4 Auto programmes 5
11	Vitesse du programme	000 ⇔ 255	Vitesse du programme, lent à rapide
12	Contrôle (maintenez pendant 3 secondes)	000 ⇔ 007 008 ⇔ 015 016 ⇔ 023 024 ⇔ 031 032 ⇔ 039 040 ⇔ 047 048 ⇔ 055 056 ⇔ 063 064 ⇔ 071 072 ⇔ 079 080 ⇔ 087 088 ⇔ 095 096 ⇔ 103 104 ⇔ 111 112 ⇔ 119 120 ⇔ 127 128 ⇔ 255	Pas de fonction Réinitialisation du gradateur Décalage rouge activé Décalage rouge désactivé Courbe de gradateur S-courbe Courbe de gradateur linéaire Courbe de gradation carrée Courbe de gradation carrée inverse Arrêt du mode de vitesse d'assombrissement Mode 1 de vitesse d'assombrissement (rapide) Mode 2 de vitesse d'assombrissement Mode 3 de vitesse d'assombrissement (lente) Ventilateur automatique Ventilateur allumé Ventilateur éteint Ventilateur silencieux Réservé pour une utilisation future

**10Ch**

Canal	Fonction	Valeur	Pourcentage/Configuration
1	Gradateur	000 ⇄ 255	0–100%
2	Gradateur fin	000 ⇄ 255	0–100%
3	Rouge	000 ⇄ 255	0–100%
4	Vert	000 ⇄ 255	0–100%
5	Bleu	000 ⇄ 255	0–100%
6	Ambre	000 ⇄ 255	0–100%
7	Lime	000 ⇄ 255	0–100%
8	Stroboscope	000 ⇄ 010 011 ⇄ 255	Pas de fonction Stroboscope, lent à rapide
9	Roue de couleurs virtuelle	000 ⇄ 255	Consultez la section <a href="#">Gamme de couleurs</a>
10	Température de couleur	000 ⇄ 255	Consultez la section <a href="#">Gamme des températures de couleur</a>

**7Ch**

Canal	Fonction	Valeur	Pourcentage/Configuration
1	Gradateur	000 ⇄ 255	0–100%
2	Rouge	000 ⇄ 255	0–100%
3	Vert	000 ⇄ 255	0–100%
4	Bleu	000 ⇄ 255	0–100%
5	Ambre	000 ⇄ 255	0–100%
6	Lime	000 ⇄ 255	0–100%
7	Stroboscope	000 ⇄ 010 011 ⇄ 255	Pas de fonction Stroboscope, lent à rapide

**5Ch**

Canal	Fonction	Valeur	Pourcentage/Configuration
1	Rouge	000 ⇄ 255	0–100%
2	Vert	000 ⇄ 255	0–100%
3	Bleu	000 ⇄ 255	0–100%
4	Ambre	000 ⇄ 255	0–100%
5	Lime	000 ⇄ 255	0–100%

**3Ch**

Canal	Fonction	Valeur	Pourcentage/Configuration
1	Gradateur	000 ⇄ 255	0–100%
2	Roue de couleurs virtuelle	000 ⇄ 255	Consultez la section <a href="#">Gamme de couleurs</a>
3	Température de couleur	000 ⇄ 255	Consultez la section <a href="#">Gamme des températures de couleur</a>

**1Ch**

Canal	Fonction	Valeur	Pourcentage/Configuration
1	Gradateur	000 ⇄ 255	0–100%

## Über diese Schnellanleitung

In der Schnellanleitung des Ovation E-910FC finden Sie die wesentlichen Produktinformationen, wie etwa über den Anschluss, die Montage, Menüoptionen und DMX-Werte des Geräts. Laden Sie für weiterführende Informationen unter [www.chauvetprofessional.com](http://www.chauvetprofessional.com) das Benutzerhandbuch herunter.

### Haftungsausschluss

Die in dieser Anleitung aufgeführten Informationen und Spezifikationen können ohne vorherige Ankündigung geändert werden.

### EINGESCHRÄNKTE GARANTIE

#### ZUR REGISTRIERUNG FÜR GARANTIEANSPRÜCHE UND ZUR EINSICHT IN DIE VOLLSTÄNDIGEN GESCHÄFTSBEDINGUNGEN BESUCHEN SIE BITTE UNSERE WEBSITE.

Für Kunden in den USA und in Mexiko: [www.chauvetlighting.com/warranty-registration](http://www.chauvetlighting.com/warranty-registration).

Für Kunden im Vereinigten Königreich, in Irland, Belgien, den Niederlanden, Luxemburg, Frankreich und Deutschland: [www.chauvetlighting.eu/warranty-registration/](http://www.chauvetlighting.eu/warranty-registration/).

Chauvet garantiert für die in der auf unserer Website veröffentlichten vollständigen eingeschränkten Garantie genannten Dauer und unter Vorbehalt der darin genannten Haftungsausschlüsse und -beschränkungen, dass dieses Produkt bei normalen Gebrauch frei von Material- und Verarbeitungsfehlern ist. Diese Garantie erstreckt sich nur auf den Erstkäufer des Produkts und ist nicht übertragbar. Zur Ausübung der unter dieser Garantie gewährten Rechte ist der Kaufbeleg in Form der Originalrechnung von einem autorisierten Händler vorzulegen, in der die Produktbezeichnung und das Kaufdatum vermerkt sein müssen. ES BESTEHEN KEINE WEITEREN AUSDRÜCKLICHEN ODER STILLSCHWEIGENDEN GARANTIEN. Diese Garantie gibt Ihnen besondere gesetzliche Rechte. Und Sie haben möglicherweise weitere Rechte, die von Land zu Land unterschiedlich sein können. Diese Garantie ist nur in den USA, im Vereinigten Königreich, in Irland, Belgien, den Niederlanden, Luxemburg, Frankreich, Deutschland und Mexiko gültig. Bezüglich der Garantiebestimmungen in anderen Ländern wenden Sie sich bitte an Ihren lokalen Händler.

### Sicherheitshinweise

- Die Leuchte sollte so positioniert werden, dass ein langes starres Schauen in die Leuchte in einem Abstand von weniger als 3,0 m nicht zu erwarten ist.
- Ist das externe flexible Kabel dieser Leuchte beschädigt, muss es durch ein gleichwertiges Kabel oder ein ausschließlich vom Hersteller oder dessen Vertriebspartner erhältliches Kabel ersetzt werden.
- Das in dieser Leuchte enthaltene Leuchtmittel darf nur vom Hersteller oder dessen Vertriebspartner oder einer ähnlich qualifizierten Person ausgetauscht werden.
- Die Leuchte ist ausschließlich für den professionellen Einsatz bestimmt.
- Dieses Gerät NICHT öffnen. Die eingebauten Komponenten sind für den Kunden wartungsfrei.
- NIEMALS in die Lichtquelle schauen, während das Gerät eingeschaltet ist.
- Dieses Gerät darf NICHT in Wasser eingetaucht werden (IP20). Eine regelmäßige Verwendung dieses Geräts im Freien ist möglich.
- Belassen Sie KEINE entflammbar Materialien in einem Umkreis von 50 cm dieses Geräts, während es in Betrieb oder an der Stromversorgung angeschlossen ist.
- NIEMALS das Gerät in Betrieb nehmen, wenn Ihnen das Gehäuse, die Linsen oder das Kabel beschädigt erscheinen.
- Schließen Sie dieses Gerät NICHT an einen Dimmer oder Regelwiderstand an.
- VORSICHT: Das Gehäuse dieses Produkts kann während des Betriebs heiß werden.
- VORSICHT: Beim Transport des Geräts von einer Umgebung mit außergewöhnlichen Temperaturen in eine andere solche Umgebung (z. B. aus einem kalten Transporter in einen warm-feuchten Ballsaal) kann an der im Gerät enthaltenen Elektronik Wasser kondensieren. Um einen Defekt zu vermeiden, muss sich das Gerät erst in der neuen Umgebung akklimatisiert haben, bevor es an die Stromversorgung angeschlossen werden kann.
- VERWENDEN Sie bei Montage über Kopf immer ein Sicherheitsseil.
- Schließen Sie dieses Produkt NUR an einen mit der Erde verbundenen und geschützten Stromkreis an.
- Das Gerät NUR an den Hänge-/Befestigungsbügeln oder Griffen tragen.
- Installieren Sie das Gerät an einem Ort mit ausreichender Belüftung und mit einem Abstand von mindestens 50 cm zu den angrenzenden Flächen.
- Um unnötigen Verschleiß zu vermeiden und die Lebensdauer des Geräts zu verlängern, trennen Sie während längerer Perioden des Nichtgebrauchs das Gerät vom Stromnetz – entweder per Trennschalter oder durch Herausziehen des Steckers aus der Steckdose.
- Bei ernsthaften Betriebsproblemen stoppen Sie umgehend die Verwendung des Geräts.
- Die maximal zulässige Umgebungstemperatur beträgt 45 °C. Nehmen Sie das Gerät nicht bei höheren Temperaturen in Betrieb.

### FCC-Konformität

Dieses Gerät erfüllt Teil 15, Teil B, der FCC-Bestimmungen. Der Betrieb ist an folgende zwei Bedingungen geknüpft:

1. Dieses Gerät darf keine schädlichen Interferenzen verursachen, und
2. Dieses Gerät muss empfangende Interferenzen aufnehmen können, auch Interferenzen, die eventuell einen unerwünschten Betrieb verursachen.

Jegliche Änderungen oder Modifikationen, die nicht ausdrücklich von der Partei genehmigt wurden, die für die Compliance zuständig ist, könnten die Berechtigung des Benutzers zum Betrieb dieses Geräts aufheben.

## Kontakt

Kunden außerhalb der USA, GB, Irland, Mexiko, Frankreichs, Deutschlands oder der Benelux-Staaten wenden sich an ihren Lieferanten, um den Kundensupport in Anspruch zu nehmen oder ein Produkt zurückzuschicken. Kontaktinformationen finden Sie unter [Contact Us](#) am Ende dieser Schnellanleitung.

## Packungsinhalt

- Ovation E-910FC
- Weichzeichnungsfilter
- Netzkabel Neutrik® powerCON®
- Schnellanleitung



**Ist auf dem Weichzeichner-Filter eine Schutzfolie, dann muss diese vor dem Gebrauch entfernt werden. Der Filter befindet sich in einer Halterung im Metall-Gobo-Schlitz.**

## Wechselstrom

Dieses Gerät verfügt über ein Vorschaltgerät, das automatisch die anliegende Spannung erkennt, sobald der Netzstecker in die Schukosteckdose gesteckt wird, und kann mit einer Eingangsspannung von 100~240 V AC, 50/60 Hz arbeiten.

## Serienschaltung der Geräte

Sie können bis zu 6 Ovation E-910FC Geräte bei 100 V AC, 7 bei 120 V AC, 13 Geräte bei 208 V AC, 14 Geräte bei 230 V AC, und 15 Geräte bei 240 V AC in Serie schalten. Diese Anzahl niemals überschreiten! Stromkabel für die Serienschaltung können separat erworben werden.

## Wechselstromstecker

Anschluss	Draht (USA)	Draht (Europa)	Schraubenfarbe
Stromführender AC-Leiter	Schwarz	Braun	Gelb/Messingfarben
AC-Neutralleiter	Weiß	Blau	Silber
AC-Erdungsleiter	Grün/Gelb	Grün/Gelb	Grün



**Um Verschleiß zu vermeiden und die Lebensdauer des Geräts zu verlängern, trennen Sie während längerer Perioden des Nichtgebrauchs das Gerät vom Stromnetz – entweder per Trennschalter oder durch Herausziehen des Steckers aus der Steckdose.**

## Auswechseln der Sicherung

1. Trennen Sie das Gerät vom Stromnetz.
2. Mit einem Flachkopfschraubendreher lösen Sie die Abdeckung des Sicherungshalters vom Gehäuse.
3. Entfernen Sie die durchgebrannte Sicherung, und ersetzen Sie diese durch eine Sicherung des gleichen Typs und mit den gleichen Werten.
4. Schrauben Sie die Abdeckung der Sicherung wieder ein, und schließen Sie das Gerät wieder an das Stromnetz an.

## DMX-Verbindung

De Ovation E-910FC kann mit einem DMX-Controller betrieben werden, wenn eine 3- und 5-polige DMX-Datenverbindung zum Einsatz kommt. Sie können sich eine Einführung in DMX unter [www.chauvetprofessional.com](http://www.chauvetprofessional.com) herunterladen.

## DMX-Anschluss

Der Ovation E-910FC nutzt zur Steuerung seiner DMX-Eigenschaften eine eine 3- und 5-polige DMX-Datenverbindung: **1Ch, 3Ch, 5Ch, 7Ch, 10Ch, 12Ch, 13Ch, 16Ch** und **HSV**. Informationen zum Anschließen und Konfigurieren des Geräts für einen DMX-Betrieb finden Sie in der Bedienungsanleitung.

## Master/Slave-Schaltung

Der Ovation E-910FC verwendet für seinen Master/Slave-Modus eine DMX-Datenverbindung. Informationen zum Anschließen und Konfigurieren des Geräts für einen Master/Slave-Betrieb finden Sie in der Bedienungsanleitung.

## RDM (Remote Device Management)

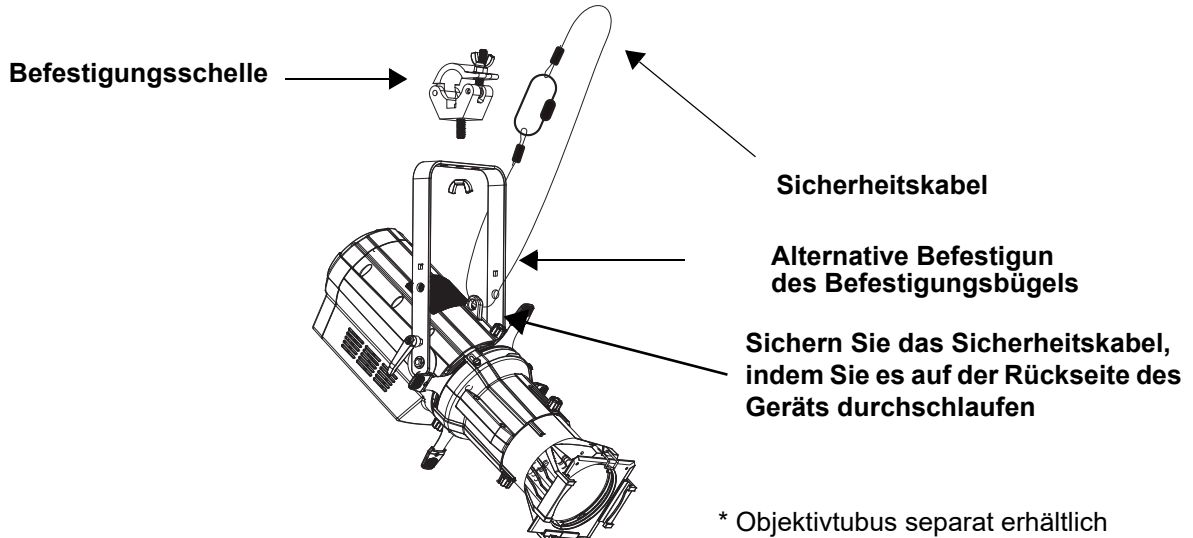
Remote Device Management bzw. RDM ist ein Standard, mit dem DMX-aktivierte Geräte bidirektional entlang bestehender DMX-Kabel kommunizieren können. Der Ovation E-910FC unterstützt das RDM-Protokoll, über das Feedback zur Überwachung der Änderungen der Menüoptionen gegeben wird. Laden Sie für weiterführende Informationen unter [www.chauvetprofessional.com](http://www.chauvetprofessional.com) das Benutzerhandbuch herunter.



## Montage

Lesen Sie vor der Montage dieses Geräts die [Sicherheitshinweise](#). Mindestens einen Befestigungspunkt pro Gerät verwenden. Stellen Sie sicher, dass die Befestigungsklemmen dafür ausgelegt sind, das Produktgewicht tragen zu können. Informationen zu unserer CHAUVET-Produktlinie für Befestigungsklemmen finden Sie unter <http://trusst.com/productcategory/truss-clamps/>.

### Ansicht Gerätemontage



Montageansicht

## Linsenröhren

Folgende Linsenröhren sind erhältlich:

- 19°, 26°, 36° und 50° mit Gel-Rahmen (Zubehör für 6.25"/159 mm)
- 14°, 15–30° und 25°–50° Zoom-Gel-Rahmen (Zubehör für 7.5"/191 mm)

## Virtuelles Farbrad (VCW)

Der Ovation E-910FC verfügt über eine Funktion mit der Bezeichnung Virtuelles Farbrad (Virtual Color Wheel, VCW). Diese Funktion steht als Stand-alone-Steuerungsmodus für die manuelle Bedienung sowie als Steuerungskanal bei ausgewählten DMX-Eigenschaften zur Verfügung. Es sind mehr als 30 von unseren Technikern vorgemischte Farben verfügbar, um die Programmierung einfacher zu gestalten. Die zum Mischen dieser Farben verwendeten DMX-Werte sind nachstehend angegeben. Sie können die Gesamtintensität des Ovation anpassen, um die Farben, mit denen Sie vertraut sind, besser nachzubilden. Auf unserer Website [www.chauvetprofessional.com](http://www.chauvetprofessional.com) finden Sie eine Tabelle, mit deren Hilfe Sie unsere vorgemischten Farben mit beliebigen Gel-Farben vergleichen können. Diese Tabelle dient einzig Vergleichszwecken und ist keine Gewähr dafür, dass unsere vorgemischten Farben mit einer der aufgeführten Gel-Farben übereinstimmen.

### Tabelle: Virtuelles Farbrad

	R	G	B	A	L
<b>C3050-Md Yellow</b>	233	163	20	123	255
<b>C3040-Lt Yellow</b>	224	158	47	255	231
<b>C3240-Amb Yellow</b>	180	60	0	245	255
<b>C2340-VLt Amber</b>	245	107	81	255	213
<b>C2040-Lt Amber</b>	230	130	62	255	155
<b>C2050-Md Amber</b>	255	0	25	255	194
<b>C2060-Dk Amber</b>	255	0	24	255	150
<b>C1050-Lt Red</b>	255	37	27	30	38
<b>C1080-Md Red</b>	255	4	17	0	0
<b>C1020-NC Pink</b>	238	135	129	255	255
<b>C1030-Md Pink</b>	255	131	120	255	195
<b>C1630-Dk Pink</b>	250	165	123	255	210



C1250-Md Red Amber	255	0	41	195	55
C1060-Dk Red Amber	255	0	45	120	30
C1650-Magenta	255	50	115	255	115
C6170-Dk Magenta	255	35	117	0	0
C6020-Lt Lavender	127	122	142	251	255
C5030-Lt Blue	0	255	197	100	255
C5020-VLt Blue	158	255	189	0	255
C5430-Lt Blue2	0	255	180	0	243
C5070-Blue	43	255	210	43	36
C5050-Md Blue	0	255	218	0	181
C5060-Dk Blue	0	210	206	0	118
C5690-Indigo	65	0	210	40	55
C5080-VdK Blue	0	203	230	0	40
C5081-VdK Blue2	40	199	240	0	45
C4370-Yel Green	27	255	28	16	104
C4070-Green	49	255	55	120	90
C4550-Turquoise	60	230	109	0	245
C4560-Aqua	20	240	126	36	255
C4570-Blue Green	0	255	79	30	53



Hinweis: Die oben genannten Farben sind simulierte Ähnlichkeiten der Farbausgabe im Vergleich zu anderen, ähnlich weißglühenden Produkten. Chauvet gibt keine Gewährleistung bezüglich der Genauigkeit der Farbausgabe.

## Farbtemperatur-Tabelle

	R	G	B	A	L
2800K	187	130	97	255	255
3000K	177	145	105	255	255
3200K	168	157	113	255	255
3500K	163	177	124	255	255
4000K	151	195	141	255	255
4500K	145	214	157	255	255
5000K	138	227	170	255	255
5600K	130	239	184	255	255
6000K	126	246	193	255	255
6500K	120	254	201	255	255



Hinweis: Die oben genannten Farbtemperaturen sind simulierte Ähnlichkeiten der Farbausgabe im Vergleich zu einer Wolframlampe mit spezifizierter Farbtemperatur. Chauvet gibt keine Gewährleistung bezüglich der Genauigkeit der Farbausgabe.

## Descripción del Panel de Control

Taste	Funktion
<MENU>	Damit verlassen Sie das aktuelle Menü oder die Funktion.
<ENTER>	Damit wird das aktuell angezeigte Menü aktiviert oder der aktuell ausgewählte Wert einer Funktion eingestellt
<UP>	Damit navigieren Sie sich durch die Menüpunkte nach oben und erhöhen den numerischen Wert der entsprechenden Funktion.
<DOWN>	Damit navigieren Sie sich durch die Menüpunkte nach unten und verringern den numerischen Wert der entsprechenden Funktion.

### Menüstruktur

Die neueste Menükarte finden Sie auf der Ovation E-910FC--produktseite unter [www.chauvetprofessional.com](http://www.chauvetprofessional.com).

Hauptebene	Programmirebenen		Beschreibung
<b>DMX Address</b>	<b>001–512*</b>		Wählt die DMX-Adresse aus (*der höchste Kanal ist auf die gewählte Eigenschaft beschränkt)
<b>DMX Channel</b>	<b>1Ch</b>		1 Kanal: Dimmer
	<b>3Ch</b>		3 Kanal: Dimmer, Virtuelles Farbrad, Farbtemperatur
	<b>5Ch</b>		5 Kanal: RGBAL
	<b>7Ch</b>		7 Kanal: Dimmer, RGBAL, Stroboskopeffekt
	<b>10Ch</b>		10 Kanal: 16-bit Dimmer, RGBAL, Stroboskopeffekt, Virtuelles Farbrad, Farbtemperatur
	<b>12Ch</b>		12 Kanal: Dimmer, RGBAL, Stroboskopeffekt, Virtuelles Farbrad, Farbtemperatur, Auto-programm, Auto-Geschwindigkeit, Kontrolle
	<b>13Ch</b>		13 Kanal: 16-bit Dimmer und RGBAL, Stroboskopeffekt
	<b>16Ch</b>		16 Kanal: 16-bit Dimmer und RGBAL, Stroboskopeffekt, Virtuelles Farbrad, Farbtemperatur, Kontrolle
<b>HSV</b>			3 Kanal: Farbton, Farbsättigung, Farbwert
<b>Virtual Color Wheel</b>	<b>Virtual Color Wheel</b>	<b>C3050 - Md Yellow</b>	<b>Dimmer 000–255</b> Das Virtuelle Farbrad simuliert die Ausgabe jeder Gel-Farbe. Für spezifische Werte, siehe den Abschnitt <a href="#">Tabelle: Virtuelles Farbrad</a> .
		<b>C3040 - Lt Yellow</b>	
		<b>C3240 - Amb Yellow</b>	
		<b>C2340 - V Lt Amber</b>	
		<b>C2040 - Lt Amber</b>	
		<b>C2050 - Md Amber</b>	
		<b>C2060 - Dk Amber</b>	
		<b>C1050 - Lt Red</b>	
		<b>C1080 - Md Red</b>	
		<b>C1020 - NC Pink</b>	
		<b>C1030 - Md Pink</b>	
		<b>C1630 - Dk Pink</b>	
		<b>C1250 - Md Red Amber</b>	
		<b>C1060 - Dk Red Amber</b>	
		<b>C1650 - Magenta</b>	
		<b>C6170 - Dk Magenta</b>	
		<b>C6020 - Lt Lavender</b>	
		<b>C5030 - Lt Blue</b>	
		<b>C5020 - V Lt Blue</b>	
		<b>C5430 - Lt Blue 2</b>	
		<b>C5070 - Blue</b>	
		<b>C5050 - Md Blue</b>	
		<b>C5060 - Dk Blue</b>	
		<b>C5690 - Indigo</b>	
		<b>C5080 - V Dk Blue</b>	
		<b>C5081 - V Dk Blue 2</b>	
		<b>C4370 - Yel Green</b>	
		<b>C4070 - Green</b>	
<b>C4550 - Turquoise</b>			
<b>C4560 - Aqua</b>			
<b>C4570 - Blue Green</b>			

Hauptebene	Programmirebenen		Beschreibung	
<b>Virtual Color Wheel</b> (Fortsetzung)	<b>Color Temperature</b>	2800K	<b>Dimmer 000–255</b>	Voreinstellung der weißen Farbtemperaturen. Bildet eine Wolframlampe mit der spezifizierten Farbtemperatur ab. Für spezifische Werte, siehe den Abschnitt <a href="#">Farbtemperatur-Tabelle</a> .
		3000K		
		3200K		
		3500K		
		4000K		
		4500K		
		5000K		
		5600K		
		6000K		
	6500K			
	<b>Manual Color Mixer</b>	Red	<b>000–255</b>	Kombiniert rote, grün, blaue, bernsteinfarbene un neongrüne Farben zu einer benutzerdefinierten Farbe (0–100%)
		Green		
		Blue		
		Amber		
Lime				
<b>Auto Show</b>	<b>Auto 1–5</b>	<b>1–100</b>	Wähl das Auto-Programm und die Geschwindigkeit aus	
<b>Red Shift</b>	On		Ahmt die Dimmung einer Halogenlampe nach	
	Off			
<b>Master/ Slave</b>	Master		Empfängt DMX-Signal vom DMX-Controller (Master)	
	Slave		Empfängt das DMX-Signal vom Master-Gerät	
<b>Dimmer Curve</b>	SCurve		Stellt die Dimmungskurve ein	
	Linear			
	Square			
	Inverse Square			
<b>Dimmer Mode</b>	Off		Linearer Dimmer	
	Dimmer 1–3		Dimmkurven von schnell (1) bis langsam (3)	
<b>White Balance</b>	<b>Manual</b>	Red	<b>125–255</b>	Stellt den maximalen Wert der Roten LED ein
		Green		Stellt den maximalen Wert der Grün LED ein
		Blue		Stellt den maximalen Wert der Blau LED ein
		Amber		Stellt den maximalen Wert der Bernsteinfarben LED ein
		Lime		Stellt den maximalen Wert der Neongrün LED ein
<b>LED Frequency</b>	600Hz		Stellt die PWM-Frequenz ein	
	1200Hz			
	2000Hz			
	4000Hz			
	6000Hz			
	25KHz			
<b>Fan Mode</b>	Auto		Stellt den Lüfter auf den Auto-Modus ein	
	On		Stellt den Lüfter auf den "immer eingeschaltet"-Modus ein	
	Off		Setzt den Lüfter auf immer aus	
	Silent		Stellt den Lüfter auf lautlos	
<b>Back Light</b>	10S		Die Hintergrundbeleuchtung nach 10 Sek. ausgeschaltet	
	30S		Die Hintergrundbeleuchtung nach 30 Sek. ausgeschaltet	
	2Min		Die Hintergrundbeleuchtung nach 2 Minuten ausgeschaltet	
	Always On		Hintergrundbeleuchtung immer an	
<b>Information</b>	<b>Fixture Hours</b>	_ _ _ _ _ H	Zeigt an, wie lange das Gerät eingeschaltet gewesen ist	
	<b>LED Hours</b>	_ _ _ _ _ H	Zeigt an, wie lange das LED eingeschaltet gewesen ist	
	<b>Version</b>	V _ . _	Zeigt die aktuelle Firmware-Version an	
	<b>UID</b>	_ _ _ _ _ _ _ _ _ _	Zeigt die Geräte-UID an	
<b>Reset Factory</b>	No		Damit stellen Sie das Gerät auf die Werkseinstellungen zurück	
	Yes			



**WARNUNG:** Wenn Sie im Lüftermodus arbeiten: Aus, wird das Gerät bei Berührung heißer als bei Verwendung anderer Lüftermodi. Verwenden Sie geeignete Schutzausrüstung, um Verbrennungen zu vermeiden. Halten Sie einen Sicherheitsabstand zu brennbaren Gegeständen ein.



**HINWEIS:** Im Lüftermodus: Aus wird der Ausgang des Geräts reduziert und erreicht nicht die gleichen Pegel wie bei Verwendung anderer Lüftermodi.

DE

DMX-Werte

HSV

Kanal	Funktion	Wert	Prozent/Einstellung
1	Farbton	000 ⇔ 255	0–100%
2	Farbsättigung	000 ⇔ 255	0–100%
3	Farbwert	000 ⇔ 255	0–100%

16Ch

Kanal	Funktion	Wert	Prozent/Einstellung
1	Dimmer	000 ⇔ 255	0–100%
2	Feine Dimmer	000 ⇔ 255	0–100%
3	Rot	000 ⇔ 255	0–100%
4	Feine rot	000 ⇔ 255	0–100%
5	Grün	000 ⇔ 255	0–100%
6	Feine grün	000 ⇔ 255	0–100%
7	Blau	000 ⇔ 255	0–100%
8	Fein blau	000 ⇔ 255	0–100%
9	Bernsteinfarben	000 ⇔ 255	0–100%
10	Feine bernsteinfarben	000 ⇔ 255	0–100%
11	Neongrün	000 ⇔ 255	0–100%
12	Feine neongrün	000 ⇔ 255	0–100%
13	Stroboskop	000 ⇔ 010 011 ⇔ 255	Keine Funktion Stroboskopeffekt, langsam bis schnell
14	Virtuelles Farbrad	000 ⇔ 255	Siehe <a href="#">Tabelle: Virtuelles Farbrad</a>
15	Farbtemperatur	000 ⇔ 255	Siehe <a href="#">Farbtemperatur-Tabelle</a>
16	Kontrolle (3 Sekunden lang gedrückt halten)	000 ⇔ 007 008 ⇔ 015 016 ⇔ 023 024 ⇔ 031 032 ⇔ 039 040 ⇔ 047 048 ⇔ 055 056 ⇔ 063 064 ⇔ 071 072 ⇔ 079 080 ⇔ 087 088 ⇔ 095 096 ⇔ 103 104 ⇔ 111 112 ⇔ 119 120 ⇔ 127 128 ⇔ 255	Keine Funktion Dimmer zurücksetzen Rotverschiebung ein Rotverschiebung aus S-Kurve Dimmerkurve Lineare Dimmerkurve Quadratische Dimmerkurve Inverse quadratische Dimmerkurve Dimmer-Geschwindigkeits-Modus aus Dimmer-Geschwindigkeits-Modus 1 (schnellste) Dimmer-Geschwindigkeits-Modus 2 Dimmer-Geschwindigkeits-Modus 3 (langsamste) Lüfter Auto-Modus Lüfter eingeschaltet Lüfter ausgeschaltet Lüfter lautlos Reserviert für zukünftige Verwendung

13Ch

Kanal	Funktion	Wert	Prozent/Einstellung
1	Dimmer	000 ⇔ 255	0–100%
2	Feine Dimmer	000 ⇔ 255	0–100%
3	Rot	000 ⇔ 255	0–100%
4	Feine rot	000 ⇔ 255	0–100%
5	Grün	000 ⇔ 255	0–100%
6	Feine grün	000 ⇔ 255	0–100%
7	Blau	000 ⇔ 255	0–100%
8	Fein blau	000 ⇔ 255	0–100%
9	Bernsteinfarben	000 ⇔ 255	0–100%
10	Feine bernsteinfarben	000 ⇔ 255	0–100%
11	Neongrün	000 ⇔ 255	0–100%
12	Feine neongrün	000 ⇔ 255	0–100%
13	Stroboskop	000 ⇔ 010 011 ⇔ 255	Keine Funktion Stroboskopeffekt, langsam bis schnell

## 12Ch

Kanal	Funktion	Wert	Prozent/Einstellung
1	Dimmer	000 ⇔ 255	0–100%
2	Rot	000 ⇔ 255	0–100%
3	Grün	000 ⇔ 255	0–100%
4	Blau	000 ⇔ 255	0–100%
5	Bernsteinfarben	000 ⇔ 255	0–100%
6	Neongrün	000 ⇔ 255	0–100%
7	Stroboskop	000 ⇔ 010 011 ⇔ 255	Keine Funktion Stroboskopeffekt, langsam bis schnell
8	Virtuelles Farbrad	000 ⇔ 255	Siehe <a href="#">Tabelle: Virtuelles Farbrad</a>
9	Farbtemperatur	000 ⇔ 255	Siehe <a href="#">Farbtemperatur-Tabelle</a>
10	Auto-Programme	000 ⇔ 010	Keine Funktion
		011 ⇔ 060	Autoprogramm 1
		061 ⇔ 110	Autoprogramm 2
		111 ⇔ 160	Autoprogramm 3
		161 ⇔ 210	Autoprogramm 4
211 ⇔ 255	Autoprogramm 5		
11	Auto-Geschwindigkeit	000 ⇔ 255	0–100%
12	Kontrolle (3 Sekunden lang gedrückt halten)	000 ⇔ 007	Keine Funktion
		008 ⇔ 015	Dimmer zurücksetzen
		016 ⇔ 023	Rotverschiebung ein
		024 ⇔ 031	Rotverschiebung aus
		032 ⇔ 039	S-Kurve Dimmerkurve
		040 ⇔ 047	Lineare Dimmerkurve
		048 ⇔ 055	Quadratische Dimmerkurve
		056 ⇔ 063	Inverse quadratische Dimmerkurve
		064 ⇔ 071	Dimmer-Geschwindigkeits-Modus aus
		072 ⇔ 079	Dimmer-Geschwindigkeits-Modus 1 (schnellste)
		080 ⇔ 087	Dimmer-Geschwindigkeits-Modus 2
		088 ⇔ 095	Dimmer-Geschwindigkeits-Modus 3 (langsamste)
		096 ⇔ 103	Lüfter Auto-Modus
		104 ⇔ 111	Lüfter eingeschaltet
112 ⇔ 119	Lüfter ausgeschaltet		
120 ⇔ 127	Lüfter lautlos		
128 ⇔ 255	Reserviert für zukünftige Verwendung		

## 10Ch

Kanal	Funktion	Wert	Prozent/Einstellung
1	Dimmer	000 ⇔ 255	0–100%
2	Feine Dimmer	000 ⇔ 255	0–100%
3	Rot	000 ⇔ 255	0–100%
4	Grün	000 ⇔ 255	0–100%
5	Blau	000 ⇔ 255	0–100%
6	Bernsteinfarben	000 ⇔ 255	0–100%
7	Neongrün	000 ⇔ 255	0–100%
8	Stroboskop	000 ⇔ 010 011 ⇔ 255	Keine Funktion Stroboskopeffekt, langsam bis schnell
9	Virtuelles Farbrad	000 ⇔ 255	Siehe <a href="#">Tabelle: Virtuelles Farbrad</a>
10	Farbtemperatur	000 ⇔ 255	Siehe <a href="#">Farbtemperatur-Tabelle</a>

DE

**7Ch**

Kanal	Funktion	Wert	Prozent/Einstellung
1	Dimmer	000 ⇔ 255	0–100%
2	Rot	000 ⇔ 255	0–100%
3	Grün	000 ⇔ 255	0–100%
4	Blau	000 ⇔ 255	0–100%
5	Bernsteinfarben	000 ⇔ 255	0–100%
6	Neongrün	000 ⇔ 255	0–100%
7	Stroboskop	000 ⇔ 010 011 ⇔ 255	Keine Funktion Stroboskopeffekt, langsam bis schnell

**5Ch**

Kanal	Funktion	Wert	Prozent/Einstellung
1	Rot	000 ⇔ 255	0–100%
2	Grün	000 ⇔ 255	0–100%
3	Blau	000 ⇔ 255	0–100%
4	Bernsteinfarben	000 ⇔ 255	0–100%
5	Neongrün	000 ⇔ 255	0–100%

**3Ch**

Kanal	Funktion	Wert	Prozent/Einstellung
1	Dimmer	000 ⇔ 255	0–100%
2	Virtuelles Farbrad	000 ⇔ 255	Siehe <a href="#">Tabelle: Virtuelles Farbrad</a>
3	Farbtemperatur	000 ⇔ 255	Siehe <a href="#">Farbtemperatur-Tabelle</a>

**1Ch**

Kanal	Funktion	Wert	Prozent/Einstellung
1	Dimmer	000 ⇔ 255	0–100%

## Over deze handleiding

De Ovation E-910FC Beknopte Handleiding (BH) bevat basisinformatie over het product, zoals aansluiting, montage, menu-opties en DMX-waarden. Download de gebruikershandleiding op [www.chauvetprofessional.com](http://www.chauvetprofessional.com) voor meer informatie.

### Disclaimer

De informatie en specificaties in deze BH kunnen zonder voorafgaande kennisgeving worden gewijzigd.

### BEPERKTE GARANTIE

**GA NAAR ONZE WEBSITE VOOR REGISTRATIE VAN DE GARANTIE EN DE VOLLEDIGE ALGEMENE VOORWAARDEN.**

**Voor klanten in de Verenigde Staten en Mexico:** [www.chauvetlighting.com/warranty-registration](http://www.chauvetlighting.com/warranty-registration).

**Voor klanten in het Verenigd Koninkrijk, Ierland, België, Nederland, Luxemburg, Frankrijk en Duitsland:** [www.chauvetlighting.eu/warranty-registration/](http://www.chauvetlighting.eu/warranty-registration/).

Chauvet garandeert dat dit product bij normaal gebruik vrij zal blijven van defecten in materiaal en vakmanschap, voor de opgegeven periode en onder voorbehoud van de uitzonderingen en beperkingen die zijn uiteengezet in de volledige beperkte garantie op onze website. Deze garantie geldt uitsluitend voor de oorspronkelijke koper van het product en is niet overdraagbaar. Om onder deze garantie rechten uit te oefenen, moet u een aankoopbewijs overleggen in de vorm van een origineel verkoopbewijs van een geautoriseerde dealer, waarop de naam van het product en de aankoopdatum zichtbaar zijn. **ER ZIJN GEEN ANDERE EXPLICIETE OF IMPLICIETE GARANTIES.** Deze garantie geeft u specifieke wettelijke rechten. Mogelijk heeft u ook andere rechten die van staat tot staat en van land tot land verschillen. Deze garantie is uitsluitend geldig in de Verenigde Staten, het Verenigd Koninkrijk, Ierland, België, Nederland, Luxemburg, Frankrijk, Duitsland en Mexico. Neem contact op met uw lokale verkoper voor garantievoorwaarden in andere landen.

### Veiligheidsinstructies

- De armatuur moet zodanig geplaatst worden dat langdurig staren in de armatuur op een afstand van minder dan 3,0 m voorkomen wordt.
- Als de externe flexibele kabel of het snoer van deze armatuur beschadigd is, moet deze worden vervangen door een speciaal snoer of een snoer dat uitsluitend beschikbaar is bij de fabrikant of zijn onderhoudsagent.
- De lichtbron die in deze armatuur omvat is mag alleen vervangen worden door de fabrikant, of diens onderhoudsagent of een soortgelijk erkend persoon.
- De armatuur is uitsluitend bedoeld voor professioneel gebruik.
- Open het product NIET. Het bevat geen te onderhouden onderdelen.
- KIJK NIET in de lichtbron wanneer het apparaat is ingeschakeld.
- Gebruik dit product NIET buitenshuis of op een locatie waar stof, grote warmte, water of vochtigheid het kunnen beïnvloeden (IP20).
- Plaats geen ontvlambaar materiaal binnen 50 cm van dit product als het in gebruik is of is aangesloten op het stopcontact.
- Gebruik dit product NIET als de behuizing, lenzen of kabels beschadigd lijken.
- Sluit dit product NIET aan op een dimmer of een regelweerstand.
- LET OP: De behuizing van dit product kan heet zijn wanneer het in bedrijf is.
- LET OP: Bij het verplaatsen van het product uit extreme omgevingen, (bijv. koude vrachtwagen naar warme, vochtige balzaal) kan er condensvorming optreden op de elektronica van het product. Om storingen te vermijden moet het product volledig kunnen acclimatiseren aan de omgeving voordat het op stroom wordt aangesloten.
- GEBRUIK een veiligheidskabel bij het boven het hoofd plaatsen van dit product.
- Sluit dit product UITSLUITEND op een geaard en beveiligd stroomcircuit.
- Gebruik UITSLUITEND de ophang-/montagebeugel om dit product te dragen.
- Monteer dit product op een plek met voldoende ventilatie, ten minste 50 cm van de aangrenzende oppervlakken.
- Om onnodige slijtage te elimineren en zijn levensduur te verlengen, gedurende perioden wanneer het product niet wordt gebruikt, moet u het product van de stroom afsluiten door een aardlekschakelaar om te zetten of door het te ontkoppelen.
- Stop in het geval van ernstige operationele problemen onmiddellijk met het gebruik.
- De maximale omgevingstemperatuur bedraagt 45 °C. Gebruik dit product niet bij hogere temperaturen.

### FCC-naleving

Dit apparaat voldoet aan Part 15 Part B van de FCC-regels. Het gebruik is onderworpen aan de volgende twee voorwaarden:

1. Dit apparaat mag geen schadelijke interferentie veroorzaken, en
2. Dit apparaat moet enige ontvangen interferentie accepteren, inclusief interferentie die een ongewenste werking kan veroorzaken.

Eventuele wijzigingen of aanpassingen die niet uitdrukkelijk door de voor naleving verantwoordelijke partij zijn goedgekeurd, kan de bevoegdheid van de gebruiker om de apparatuur te bedienen ongeldig verklaren.

### Contact

Van buiten de VS, Verenigd Koninkrijk, Ierland, Benelux, Frankrijk, Duitsland of Mexico kunt u contact opnemen met de distributeur of om ondersteuning vragen dan wel het product retourneren. Ga naar [Contact Us](#) voor contactinformatie.

### Wat is inbegrepen

- Ovation E-910FC
- Neutrik® powerCON® stroomsnoer
- Soft focus filter
- Beknopte handleiding





Indien er op het soft-focus-filter een beschermende film zit, dient deze eerst verwijderd te worden. Het filter zit in een houder in de metalen gobo-sleuf.

### AC-stroom

Dit product heeft een voeding met automatisch bereik die werkt met een ingangsspanning van 100–240 VAC, 50/60 Hz.

### Power Linking

U kunt tot 6 Ovation E-910FC-producten koppelen bij 100 V, 7 producten bij 120 V, 13 producten bij 208 V, 14 producten bij 230 V, 15 producten bij 240 V. Dit aantal niet overschrijden. Power Linking-snoeren kunnen apart aangeschaft worden.

### AC-stekker

Aansluiting	Snoer (VS)	Snoer (Europa)	Schroefkleur
AC Live	Zwart	Bruin	Geel/messing
AC Neutraal	Wit	Blauw	Zilver
AC Aarde	Groen/geel	Groen/geel	Groen



Om onnodige slijtage te elimineren en zijn levensduur te verlengen, gedurende perioden wanneer het product niet wordt gebruikt, moet u het product van de stroom afsluiten door een aardlekschakelaar om te zetten of door het te ontkoppelen.

### De zekering vervangen

1. Ontkoppel dit product van de stroom.
2. Gebruik een kruiskopschroevendraaier en schroef de kap van de zekeringshouder los van de behuizing.
3. Verwijder de doorgebrande zekering en vervang het met een werkende zekering van hetzelfde type en met dezelfde waarde.
4. Schroef de kap van de zekeringhouder terug en steek de stekker er weer in.

### DMX-koppeling

De Ovation E-910FC kan met een DMX-controller werken met een 3- and 5-pins DMX seriële verbinding. Op [www.chauvetprofessional.com](http://www.chauvetprofessional.com) is een DMX basishandleiding verkrijgbaar.

### DMX-aansluiting

De Ovation E-910FC gebruikt een 3- en 5-pins DMX-gegevensverbinding voor zijn DMX-persoonlijkheden: **1Ch, 3Ch, 5Ch, 7Ch, 10Ch, 12Ch, 13Ch, 16Ch** en **HSV**. Zie de gebruikershandleiding om te verbinden en te configureren voor DMX-werking.

### Master/slave-verbinding

De Ovation E-910FC maakt gebruik van de DMX-dataverbinding voor haar Master-/Slave-modus. Zie de gebruikershandleiding om te verbinden en te configureren voor Master/Slave-werking.

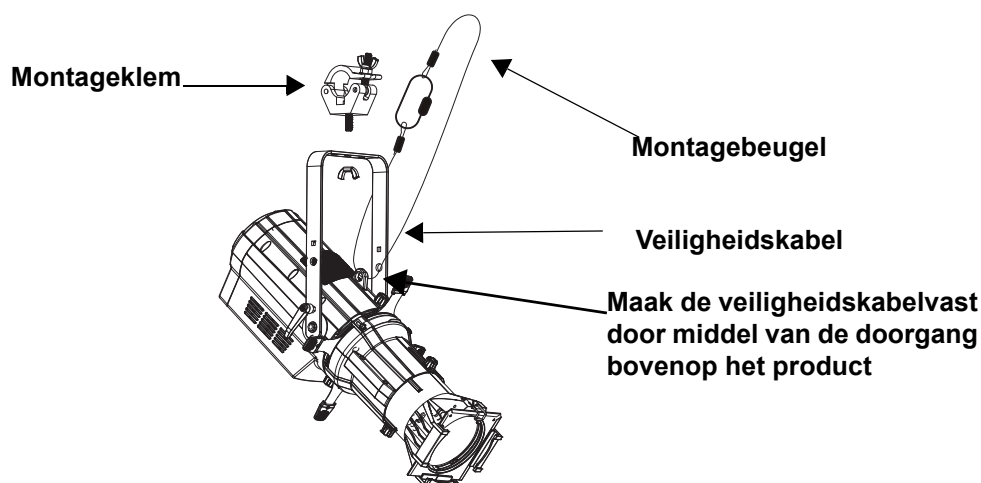
### RDM (apparaatbeheer op afstand)

Remote Device Management of RDM (apparaatbeheer op afstand) is een standaard die het voor DMX-apparaten mogelijk maakt om in twee richtingen te communiceren over bestaande DMX-kabels. De Ovation E-910FC ondersteunt het RDM-protocol dat zorgt feedback toelaat bij de bewaking van wijzigingen aan de menu map-opties van. Download de gebruikershandleiding op [www.chauvetprofessional.com](http://www.chauvetprofessional.com) voor meer informatie.

### Montage

Lees alvorens dit product te monteren alle [Veiligheidsinstructies](#). Controleer of de montageklem het gewicht van het product kan dragen. Ga voor onze Chauvet-serie montageklemmen naar <http://trusst.com/productcategory/truss-clamps/>.



**Montagediagram van het product**

**Montage boven het hoofd**

\* Lensbuizen worden apart verkocht

**Lensbuizen**

De volgende lensbuizen zijn aan te schaffen:

- 19°, 26°, 36° en 50° met gelframe (159 mm accessoires)
- 14°, 15–30° en 25°–50° zoom gelframe (91 mm accessoires)

**Virtueel kleurenwiel**

De Ovation E-910FC bevat een functie, genaamd het virtuele kleurenwiel (Virtual Color Wheel, VCW). Deze functie is beschikbaar als een losstaande bedieningsmodus voor handmatig gebruik en ook als een bedieningskanaal in de geselecteerde DMX-persoonlijkheden van de producten. Voor eenvoudiger programmering zijn er meer dan 30 voorgemengde kleuren beschikbaar die speciaal door onze technici zijn samengesteld.

De DMX-waarden die worden gebruikt voor het mengen van deze kleuren staan hieronder vermeld. U kunt de algehele intensiteit van het Ovation-armatuur aanpassen om de kleuren waarmee u bekend bent beter na te bootsen. Op onze website [www.chauvetprofessional.com](http://www.chauvetprofessional.com) is een tabel beschikbaar om onze voorgemengde kleuren te vergelijken met populaire gelkleuren. Deze grafiek is uitsluitend bedoeld voor vergelijkingsdoeleinden en vormt geen garantie dat onze voorgemengde kleuren overeenkomen met de vermelde gelkleuren.

**Kleurenkaart**

	R	G	B	A	L
<b>C3050-Md Yellow</b>	233	163	20	123	255
<b>C3040-Lt Yellow</b>	224	158	47	255	231
<b>C3240-Amb Yellow</b>	180	60	0	245	255
<b>C2340-VLt Amber</b>	245	107	81	255	213
<b>C2040-Lt Amber</b>	230	130	62	255	155
<b>C2050-Md Amber</b>	255	0	25	255	194
<b>C2060-Dk Amber</b>	255	0	24	255	150
<b>C1050-Lt Red</b>	255	37	27	30	38
<b>C1080-Md Red</b>	255	4	17	0	0
<b>C1020-NC Pink</b>	238	135	129	255	255
<b>C1030-Md Pink</b>	255	131	120	255	195
<b>C1630-Dk Pink</b>	250	165	123	255	210
<b>C1250-Md Red Amber</b>	255	0	41	195	55
<b>C1060-Dk Red Amber</b>	255	0	45	120	30
<b>C1650-Magenta</b>	255	50	115	255	115
<b>C6170-Dk Magenta</b>	255	35	117	0	0
<b>C6020-Lt Lavender</b>	127	122	142	251	255

C5030-Lt Blue	0	255	197	100	255
C5020-VLt Blue	158	255	189	0	255
C5430-Lt Blue2	0	255	180	0	243
C5070-Blue	43	255	210	43	36
C5050-Md Blue	0	255	218	0	181
C5060-Dk Blue	0	210	206	0	118
C5690-Indigo	65	0	210	40	55
C5080-VDk Blue	0	203	230	0	40
C5081-VdK Blue2	40	199	240	0	45
C4370-Yel Green	27	255	28	16	104
C4070-Green	49	255	55	120	90
C4550-Turquoise	60	230	109	0	245
C4560-Aqua	20	240	126	36	255
C4570-Blue Green	0	255	79	30	53



Let op: De kleuren hierboven zijn gesimuleerde waargaven van de kleurenitvoer die zijn geproduceerd, in vergelijking met de andere gelijksoortige lichtproducten. Chauvet geeft geen garantie over de nauwkeurigheid van de kleuropbrengst.

#### Kleurtemperatuur-kaart

	R	G	B	A	L
2800K	187	130	97	255	255
3000K	177	145	105	255	255
3200K	168	157	113	255	255
3500K	163	177	124	255	255
4000K	151	195	141	255	255
4500K	145	214	157	255	255
5000K	138	227	170	255	255
5600K	130	239	184	255	255
6000K	126	246	193	255	255
6500K	120	254	201	255	255



Let op: De bovenstaande kleurtemperaturen zijn gesimuleerde weergaven van de geproduceerde kleuropbrengst, in vergelijking met een wolfram-lamp bij de opgegeven kleurtemperatuur. Chauvet geeft geen garantie over de nauwkeurigheid van de kleuropbrengst.

#### Beschrijving bedienings paneel

Toets	Functie
<MENU>	Sluit het huidige menu of functie af
<ENTER>	Activeert het huidige getoonde menu of plaatst de huidige geselecteerde waarde in de geselecteerde functie
<UP>	Navigeert omhoog via het menu of verhoogt de numerieke waarde wanneer in een functie
<DOWN>	Navigeert omlaag via het menu of verlaagt de numerieke waarde wanneer in een functie

**Menu-map**

 Raadpleeg de productpagina van Ovation E-910FC op [www.chauvetprofessional.com](http://www.chauvetprofessional.com) voor de nieuwste menukaart.

Hoofdniveau	Programmeerniveaus		Beschrijving	
<b>DMX Address</b>	001–512*		Selecteert het start-adres (*hoogste kanaal beperkt tot de gekozen persoonlijkheid)	
<b>DMX Channel</b>	1Ch		1-kanaal: dimmer	
	3Ch		3-kanaal: dimmer, virtuele kleurenwiel, kleurtemperatuur	
	5Ch		5-kanaal: RGBAL	
	7Ch		7-kanaal: dimmer, RGBAL, stroboscoop	
	10Ch		10-kanaal: 16-bit dimmer, RGBAL, stroboscoop, virtuele kleurenwiel, kleurtemperatuur	
	12Ch		12-kanaal: RGBAL, dimmer, stroboscoop, virtuele kleurenwiel, kleurtemperatuur, automatische programma's, programmasnelheid, controle	
	13Ch		13-kanaal: 16-bit RGBAL en dimmer, stroboscoop	
	16Ch		16-kanaal: 16-bit RGBAL en dimmer, stroboscoop, virtuele kleurenwiel, kleurtemperatuur, controle	
	HSV		3-kanaal: tint, verzadiging, waarde	
<b>Virtual Color Wheel</b>	Virtual Color Wheel	C3050 - Md Yellow	Dimmer 000–255	Het virtuele kleurenwiel simuleert de opbrengst van elke gelkleur. Raadpleeg de sectie <a href="#">Kleurenkaart</a> voor specifieke waarden.
		C3040 - Lt Yellow		
C3240 - Amb Yellow				
C2340 - VLt Amber				
C2040 - Lt Amber				
C2050 - Md Amber				
C2060 - Dk Amber				
C1050 - Lt Red				
C1080 - Md Red				
C1020 - NC Pink				
C1030 - Md Pink				
C1630 - Dk Pink				
C1250 - Md Red Amber				
C1060 - Dk Red Amber				
C1650 - Magenta				
C6170 - Dk Magenta				
C6020 - Lt Lavender				
C5030 - Lt Blue				
C5020 - VLt Blue				
C5430 - Lt Blue 2				
C5070 - Blue				
C5050 - Md Blue				
C5060 - Dk Blue				
C5690 - Indigo				
C5080 - Vdk Blue				
C5081 - Vdk Blue 2				
C4370 - Yel Green				
C4070 - Green				
C4550 - Turquoise				
C4560 - Aqua				
C4570 - Blue Green				
<b>Color Temperature</b>	Color Temperature	2800K	Dimmer 000–255	Vooringestelde witte kleurtemperaturen. Emuleert een wolfram-lamp bij de opgegeven kleurtemperatuur. Raadpleeg de sectie <a href="#">Kleurtemperatuur-kaart</a> voor specifieke waarden.
		3000K		
		3200K		
		3500K		
		4000K		
		4500K		
5000K				

Hoofdniveau	Programmeerniveaus		Beschrijving	
Virtual Color Wheel (vervolg)	Color Temperature (vervolg)	5600K	Dimmer 000–255	
		6000K		
		6500K		
	Manual Color Mixer	Red	000–255	Combineert rood, groen, blauw, amber en lime om een aangepaste kleur te genereren (0–100%)
		Green		
		Blue		
Amber				
	Lime			
Auto Show	Auto 1–5	1–100	Selecteert automatische programma's en snelheid	
Red Shift	On		Bootsst halogeenlamp dimmen na	
	Off			
<b>Master/ Slave</b>	<b>Master</b>		Ontvangt DMX-signalen van de DMX-controller	
	<b>Slave</b>		Ontvangt DMX-signalen van de master	
Dimmer Curve	SCurve		Stelt de dimcurve in	
	Linear			
	Square			
	Inverse Square			
<b>Dimmer Mode</b>	<b>Off</b>		Lineaire dimmer	
	<b>Dimmer 1–3</b>		Selecteert dimprofielen van snel (1) tot langzaam (3)	
White Balance	Manual	Off	Gebruikt standaard witte instelling	
		Red	Stelt de maximum waarde van de rood LED in	
		Green	Stelt de maximum waarde van de groen LED in	
		Blue	Stelt de maximum waarde van de blauw LED in	
		Amber	Stelt de maximum waarde van de amber LED in	
		Lime	Stelt de maximum waarde van de lime LED in	
<b>LED Frequency</b>	<b>600Hz</b>		Selecteert de PWM-uitgangsfrequentie	
	<b>1200Hz</b>			
	<b>2000Hz</b>			
	<b>4000Hz</b>			
	<b>6000Hz</b>			
	<b>25KHz</b>			
<b>Fan Mode</b>	<b>Auto</b>		Ingesteld de ventilator automatische modus	
	On		Ingesteld de ventilator altijd aan modus	
	Off		Ingesteld de ventilator altijd uit	
	Silent		Ingesteld de ventilator stil	
Back Light	10S		Schakelt de backlight uit na 10s van inactiviteit	
	30S		Schakelt de backlight uit na 30s van inactiviteit	
	2Min		Schakelt de backlight uit na 2 min van inactiviteit	
	Always On		De backlight van de display is altijd aan	
Information	Fixture Hours	----H	Toont het totale aantal producten	
	LED Hours	----H	Toont het totale aantal LED-uren	
	Version	V_._	Toont de geïnstalleerde softwareversie	
	UID	-----	Geeft de huidige UID	
Reset Factory	No		Herstellen naar de fabrieksstandaard	
	Yes			



**WAARSCHUWING:** Bij werking in de ventilatormodus: Uit, de armatuur wordt voel warmer aan dan bij gebruik van andere ventilatormodi. Gebruik de juiste beschermende uitrusting om brandwonden te voorkomen. Houd een veilige afstand van brandbare voorwerpen.



**LET OP:** Bij werking in de ventilatormodus: Uit, uitvoer van de armatuur wordt verminderd en zal niet dezelfde niveaus bereiken als bij andere ventilatormodi.

**DMX-waarden**
**HSV**

Kanaal	Functie	Waarde	Percentage/Instelling
1	Tint	000 ⇔ 255	0–100%
2	Verzadiging	000 ⇔ 255	0–100%
3	Waarde	000 ⇔ 255	0–100%

**16Ch**

Kanaal	Functie	Waarde	Percentage/Instelling
1	Dimmer	000 ⇔ 255	0–100%
2	Fijn dimmer	000 ⇔ 255	0–100%
3	Rood	000 ⇔ 255	0–100%
4	Fijn rood	000 ⇔ 255	0–100%
5	Groen	000 ⇔ 255	0–100%
6	Fijn groen	000 ⇔ 255	0–100%
7	Blauw	000 ⇔ 255	0–100%
8	Fijn blauw	000 ⇔ 255	0–100%
9	Amber	000 ⇔ 255	0–100%
10	Fijn amber	000 ⇔ 255	0–100%
11	Lime	000 ⇔ 255	0–100%
12	Fijn lime	000 ⇔ 255	0–100%
13	Stroboscoop	000 ⇔ 010 011 ⇔ 255	Geen functie Stroboscoop, langzaam tot snel
14	Virtueel kleurenwiel	000 ⇔ 255	Raadpleeg de sectie <a href="#">Kleurenkaart</a>
15	Kleurtemperatuur	000 ⇔ 255	Raadpleeg de sectie <a href="#">Kleurtemperatuur-kaart</a>
16	Controle (houd 3 seconden ingedrukt)	000 ⇔ 007 008 ⇔ 015 016 ⇔ 023 024 ⇔ 031 032 ⇔ 039 040 ⇔ 047 048 ⇔ 055 056 ⇔ 063 064 ⇔ 071 072 ⇔ 079 080 ⇔ 087 088 ⇔ 095 096 ⇔ 103 104 ⇔ 111 112 ⇔ 119 120 ⇔ 127 128 ⇔ 255	Geen functie Dimmer reset Rode shift aan Rode shift uit S-curve dimcurve Lineaire dimcurve Vierkante dimcurve Omgekeerde vierkante dimcurve Dimmer snelheidsmodus uit Dimmer snelheidsmodus 1 (snel) Dimmer snelheidsmodus 2 Dimmer snelheidsmodus 3 (langzaam) Ventilator automatische modus Ventilator aan modus Ventilator uit modus Ventilator stil Gereserveerd voor toekomstig gebruik

NL

## 13Ch

Kanaal	Functie	Waarde	Percentage/Instelling
1	Dimmer	000 ⇔ 255	0–100%
2	Fijn dimmer	000 ⇔ 255	0–100%
3	Rood	000 ⇔ 255	0–100%
4	Fijn rood	000 ⇔ 255	0–100%
5	Groen	000 ⇔ 255	0–100%
6	Fijn groen	000 ⇔ 255	0–100%
7	Blauw	000 ⇔ 255	0–100%
8	Fijn blauw	000 ⇔ 255	0–100%
9	Amber	000 ⇔ 255	0–100%
10	Fijn amber	000 ⇔ 255	0–100%
11	Lime	000 ⇔ 255	0–100%
12	Fijn lime	000 ⇔ 255	0–100%
13	Stroboscoop	000 ⇔ 010 011 ⇔ 255	Geen functie Stroboscoop, langzaam tot snel

## 12Ch

Kanaal	Functie	Waarde	Percentage/Instelling
1	Dimmer	000 ⇔ 255	0–100%
2	Rood	000 ⇔ 255	0–100%
3	Groen	000 ⇔ 255	0–100%
4	Blauw	000 ⇔ 255	0–100%
5	Amber	000 ⇔ 255	0–100%
6	Lime	000 ⇔ 255	0–100%
7	Stroboscoop	000 ⇔ 010 011 ⇔ 255	Geen functie Stroboscoop, langzaam tot snel
8	Virtueel kleurenwiel	000 ⇔ 255	Raadpleeg de sectie <a href="#">Kleurenkaart</a>
9	Kleurtemperatuur	000 ⇔ 255	Raadpleeg de sectie <a href="#">Kleurtemperatuur-kaart</a>
10	Automatische programma's	000 ⇔ 010 011 ⇔ 060 061 ⇔ 110 111 ⇔ 160 161 ⇔ 210 211 ⇔ 255	Geen functie Auto 1 Auto 2 Auto 3 Auto 4 Auto 5
11	Programmasnelheid	000 ⇔ 255	0–100%
12	Controle (houd 3 seconden ingedrukt)	000 ⇔ 007 008 ⇔ 015 016 ⇔ 023 024 ⇔ 031 032 ⇔ 039 040 ⇔ 047 048 ⇔ 055 056 ⇔ 063 064 ⇔ 071 072 ⇔ 079 080 ⇔ 087 088 ⇔ 095 096 ⇔ 103 104 ⇔ 111 112 ⇔ 119 120 ⇔ 127 128 ⇔ 255	Geen functie Dimmer reset Rode shift aan Rode shift uit S-curve dimcurve Lineaire dimcurve Vierkante dimcurve Omgekeerde vierkante dimcurve Dimmer snelheidsmodus uit Dimmer snelheidsmodus 1 (snel) Dimmer snelheidsmodus 2 Dimmer snelheidsmodus 3 (langzaam) Ventilator automatische modus Ventilator aan modus Ventilator uit modus Ventilator stil Gereserveerd voor toekomstig gebruik

**10Ch**

Kanaal	Functie	Waarde	Percentage/Instelling
1	Dimmer	000 ⇔ 255	0–100%
2	Fijne dimmer	000 ⇔ 255	0–100%
3	Rood	000 ⇔ 255	0–100%
4	Groen	000 ⇔ 255	0–100%
5	Blauw	000 ⇔ 255	0–100%
6	Amber	000 ⇔ 255	0–100%
7	Lime	000 ⇔ 255	0–100%
8	Stroboscoop	000 ⇔ 010 011 ⇔ 255	Geen functie Stroboscoop, langzaam tot snel
9	Virtueel kleurenwiel	000 ⇔ 255	Raadpleeg de sectie <a href="#">Kleurenkaart</a>
10	Kleurtemperatuur	000 ⇔ 255	Raadpleeg de sectie <a href="#">Kleurtemperatuur-kaart</a>

**7Ch**

Kanaal	Functie	Waarde	Percentage/Instelling
1	Dimmer	000 ⇔ 255	0–100%
2	Rood	000 ⇔ 255	0–100%
3	Groen	000 ⇔ 255	0–100%
4	Blauw	000 ⇔ 255	0–100%
5	Amber	000 ⇔ 255	0–100%
6	Lime	000 ⇔ 255	0–100%
7	Stroboscoop	000 ⇔ 010 011 ⇔ 255	Geen functie Stroboscoop, langzaam tot snel

**5Ch**

Kanaal	Functie	Waarde	Percentage/Instelling
1	Rood	000 ⇔ 255	0–100%
2	Groen	000 ⇔ 255	0–100%
3	Blauw	000 ⇔ 255	0–100%
4	Amber	000 ⇔ 255	0–100%
5	Lime	000 ⇔ 255	0–100%

**3Ch**

Kanaal	Functie	Waarde	Percentage/Instelling
1	Dimmer	000 ⇔ 255	0–100%
2	Virtueel kleurenwiel	000 ⇔ 255	Raadpleeg de sectie <a href="#">Kleurenkaart</a>
3	Kleurtemperatuur	000 ⇔ 255	Raadpleeg de sectie <a href="#">Kleurtemperatuur-kaart</a>

**1Ch**

Kanaal	Functie	Waarde	Percentage/Instelling
1	Dimmer	000 ⇔ 255	0–100%



Contact Us

General Information	Technical Support
<b>Chauvet World Headquarters</b>	
Address: 5200 NW 108th Ave. Sunrise, FL 33351 Voice: (954) 577-4455 Fax: (954) 929-5560 Toll Free: (800) 762-1084	Voice: (844) 393-7575 Fax: (954) 756-8015 Email: <a href="mailto:chauvetcs@chauvetlighting.com">chauvetcs@chauvetlighting.com</a> Website: <a href="http://www.chauvetprofessional.com">www.chauvetprofessional.com</a>
<b>Chauvet Europe Ltd</b>	
Address: Unit 1C Brookhill Road Industrial Estate Pinxton, Nottingham, UK NG16 6NT Voice: +44 (0) 1773 511115 Fax: +44 (0) 1773 511110	Email: <a href="mailto:UKtech@chauvetlighting.eu">UKtech@chauvetlighting.eu</a> Website: <a href="http://www.chauvetprofessional.eu">www.chauvetprofessional.eu</a>
<b>Chauvet Europe BVBA</b>	
Address: Stokstraat 18 9770 Kruishoutem Belgium Voice: +32 9 388 93 97	Email: <a href="mailto:BNLtech@chauvetlighting.eu">BNLtech@chauvetlighting.eu</a> Website: <a href="http://www.chauvetprofessional.eu">www.chauvetprofessional.eu</a>
<b>Chauvet France</b>	
Address: 3, Rue Ampère 91380 Chilly-Mazarin France Voice: +33 1 78 85 33 59	Email: <a href="mailto:FRtech@chauvetlighting.fr">FRtech@chauvetlighting.fr</a> Website: <a href="http://www.chauvetprofessional.eu">www.chauvetprofessional.eu</a>
<b>Chauvet Germany</b>	
Address: Bruno-Bürgel-Str. 11 28759 Bremen Germany Voice: +49 421 62 60 20	Email: <a href="mailto:DEtech@chauvetlighting.de">DEtech@chauvetlighting.de</a> Website: <a href="http://www.chauvetprofessional.eu">www.chauvetprofessional.eu</a>
<b>Chauvet Mexico</b>	
Address: Av. de las Partidas 34 - 3B (Entrance by Calle 2) Zona Industrial Lerma Lerma, Edo. de México, CP 52000 Voice: +52 (728) 690-2010	Email: <a href="mailto:servicio@chauvet.com.mx">servicio@chauvet.com.mx</a> Website: <a href="http://www.chauvetprofessional.mx">www.chauvetprofessional.mx</a>

Visit the applicable website above to verify our contact information and instructions to request support. Outside the U.S., U.K., Ireland, Benelux, France, Germany, or Mexico, contact the dealer of record.



UL 1573  
CSA C22.2 No. 166  
E113093

