

User Manual

OVATION

E-910FC



**LENS TUBE SOLD SEPARATELY*

Model ID: OVATIONE910FC


CHAUVET
PROFESSIONAL

Edition Notes

The Ovation E-910FC User Manual includes a description, safety precautions, installation, programming, operation and maintenance instructions for the Ovation E-910FC.

Trademarks

Chauvet, Chauvet Professional, the Chauvet logo, and Ovation are registered trademarks or trademarks of Chauvet & Sons, LLC (d/b/a Chauvet and Chauvet Lighting) in the United States and other countries. Other company and product names and logos referred to herein may be trademarks of their respective companies.

Copyright Notice

The works of authorship contained in this manual, including, but not limited to, all design, text and images are owned by Chauvet.

© Copyright 2022 Chauvet & Sons, LLC. All rights reserved.

Electronically published by Chauvet in the United States of America.

Manual Use

Chauvet authorizes its customers to download and print this manual for professional information purposes only. Chauvet expressly prohibits the usage, copy, storage, distribution, modification, or printing of this manual or its content for any other purpose without written consent from Chauvet.

Document Printing

For best results, print this document in color, on letter size paper (8.5 x 11 in), double-sided. If using A4 paper (210 x 297 mm), configure the printer to scale the content accordingly.

Intended Audience

Any person installing, operating, and/or maintaining this product should completely read through the guide that shipped with the product, as well as this manual, before installing, operating, or maintaining this product.

Disclaimer

Chauvet believes that the information contained in this manual is accurate in all respects. However, Chauvet assumes no responsibility and specifically disclaims any and all liability to any party for any loss, damage or disruption caused by any errors or omissions in this document, whether such errors or omissions result from negligence, accident or any other cause. Chauvet reserves the right to revise the content of this document without any obligation to notify any person or company of such revision, however, Chauvet has no obligation to make, and does not commit to make, any such revisions. Download the latest version from www.chauvetprofessional.com.

Document Revision

This Ovation E-910FC User Manual is the 14th edition of this document. Go to www.chauvetprofessional.com for the latest version.

TABLE OF CONTENTS

- 1. Before You Begin** 1
 - What Is Included 1
 - Claims 1
 - Manual Conventions 1
 - Symbols 1
 - Safety Notes..... 2
 - Personal Safety..... 2
 - Mounting and Rigging 2
 - Power and Wiring..... 2
 - Operation 2
 - Expected LED Lifespan..... 2
- 2. Introduction** 3
 - Description 3
 - Features 3
 - Product Overview 4
 - Product Dimensions 5
- 3. Setup** 6
 - AC Power 6
 - AC Plug 6
 - Power Linking..... 6
 - Fuse Replacement..... 6
 - DMX Linking..... 6
 - DMX Personalities..... 6
 - Remote Device Management (RDM)..... 6
 - Master/Slave Connectivity..... 7
 - Mounting 7
 - Orientation..... 7
 - Rigging 7
 - Procedure..... 7
 - Manual Beam Focus Control..... 8
 - Rotating the Barrel Assembly..... 8
 - Accessory Slot 8
 - Soft Focus Filter 8
- 4. Operation** 9
 - Control Panel Operation..... 9
 - Control Options 9
 - Programming..... 9
 - Configuration (DMX) 9
 - DMX Personalities..... 9
 - Starting Address..... 9
 - Menu Map 10
 - Configuration (Standalone) 13
 - Focus Mode 13
 - Virtual Color Wheel 13
 - Color Temperature 13
 - Manual Color Mixer 13
 - Auto Programs 13
 - Red Shift 13
 - Master/Slave 14
 - Dimmer Curve 15
 - Dimmer Profiles..... 15

White Balance	15
LED Frequency	15
Fan Mode	15
Back Light	15
System Information	15
Virtual Color Wheel (VCW)	16
Virtual Color Wheel Chart	16
Color Temperature DMX Chart	17
DMX Values	18
.....	19
.....	19
5. Technical Information	20
Product Maintenance	20
6. Technical Specifications	21
Returns	22
Contact Us	23

1. Before You Begin

What Is Included

- Ovation E-910FC
- Neutrik® powerCON® power cord
- Soft focus filter
- Quick Reference Guide

Claims

Carefully unpack the product immediately and check the container to make sure all the parts are in the package and are in good condition.





If the box or the contents (the product and included accessories) appear damaged from shipping, or show signs of mishandling, notify the carrier immediately, not Chauvet. Failure to report damage to the carrier immediately may invalidate customer’s claim. In addition, keep the box and contents for inspection.

For other issues, such as missing components or parts, damage not related to shipping, or concealed damage, file a claim with Chauvet within 7 days of delivery.

Manual Conventions

Convention	Meaning
1–512	A range of values
50/60	A set of values of which only one can be chosen
<SET>	A button on the product’s control panel
Settings	A product function or a menu option

Symbols

Symbol	Meaning
	Electrical warning. Not following these instructions may cause electrical damage to the product, accessories, or the user.
	Critical installation, configuration, or operation information. Not following these instructions may make the product not work, cause damage to the product, or cause harm to the operator.
	Important installation or configuration information. The product may not function correctly if this information is not used.
	Useful information.



The term “DMX” used throughout this manual refers to the USITT DMX512-A digital data transmission protocol.

FCC Compliance

This device complies with Part 15 Part B of the FCC Rules. Operation is subject to the following two conditions:

1. This device may not cause harmful interference, and
2. This device must accept any interference received, including interference that may cause undesired operation.

Any changes or modifications not expressly approved by the party responsible for compliance could void the user’s authority to operate the equipment.

Safety Notes

Read all the following safety notes before working with this product. These notes contain important information about the installation, usage, and maintenance of this product.



This product contains no user-serviceable parts. Any reference to servicing in this User Manual will only apply to properly trained, certified technicians. Do not open the housing or attempt any repairs.



All applicable local codes and regulations apply to proper installation of this product.

Personal Safety

- Avoid direct eye exposure to the light source while the product is on.
- Always disconnect the product from the power source before cleaning or replacing the fuse.
- Always connect the product to a grounded circuit to avoid the risk of electrocution.
- Do not touch the product's housing when operating because it may be very hot.

Mounting and Rigging

- This product is for indoor use only! Do not operate this product outdoors or in any location where dust, excessive heat, water, or humidity may affect it (IP20).
- Do not leave any flammable material within 50 cm of this product while operating or connected to power.
- CAUTION: When transferring product from extreme temperature environments, (e.g., cold truck to warm, humid ballroom) condensation may form on the internal electronics of the product. To avoid causing a failure, allow product to fully acclimate to the surrounding environment before connecting it to power.
- Mount this product in a location with adequate ventilation, at least 20 in (50 cm) from adjacent surfaces.
- When hanging this product, always secure to a fastening device using a safety cable.
- Use only the hanging/mounting bracket to carry this product.

Power and Wiring

- Ensure that the power cord is not crimped or damaged.
- Always ensure that the product is connected to proper voltage in accordance with the specifications in this manual or on the product's specification label.
- Make sure to replace the fuse with another of the same type and rating.
- Never connect the product to a dimmer pack or rheostat.
- Never disconnect this product by pulling or tugging on the power cable.

Operation

- The luminaire should be positioned so that prolonged staring into the luminaire at a distance closer than 2.3 m is not expected.
- If the external flexible cable or cord of this luminaire is damaged, it shall be replaced by a special cord or cord exclusively available from the manufacturer or his service agent.
- The light source contained in this luminaire shall only be replaced by the manufacturer or his service agent or a similar qualified person.
- The luminaire is intended for professional use only.
- Do not operate this product if there is damage on the housing, lenses, or cables. Have the damaged parts replaced by an authorized technician at once.
- Do not cover the ventilation slots when operating to avoid internal overheating.
- The maximum ambient temperature is 113 °F (45 °C). Do not operate the product at higher temperatures.
- The minimum startup temperature is -4°F (-20°C). Do not start the product at lower temperatures.
- The minimum ambient temperature is -22°F (-30°C). Do not operate the product at lower temperatures.
- In the event of a serious operation problem, stop using this product immediately!



If your Chauvet product requires service, contact Chauvet Technical Support.

Expected LED Lifespan

Over time, use and heat will gradually reduce LED brightness. Clustered LEDs produce more heat than single LEDs, contributing to shorter lifespans if always used at full intensity. The average LED lifespan is 40,000 to 50,000 hours. To extend LED lifespan, maintain proper ventilation around the product, and limit the overall intensity.

2. Introduction

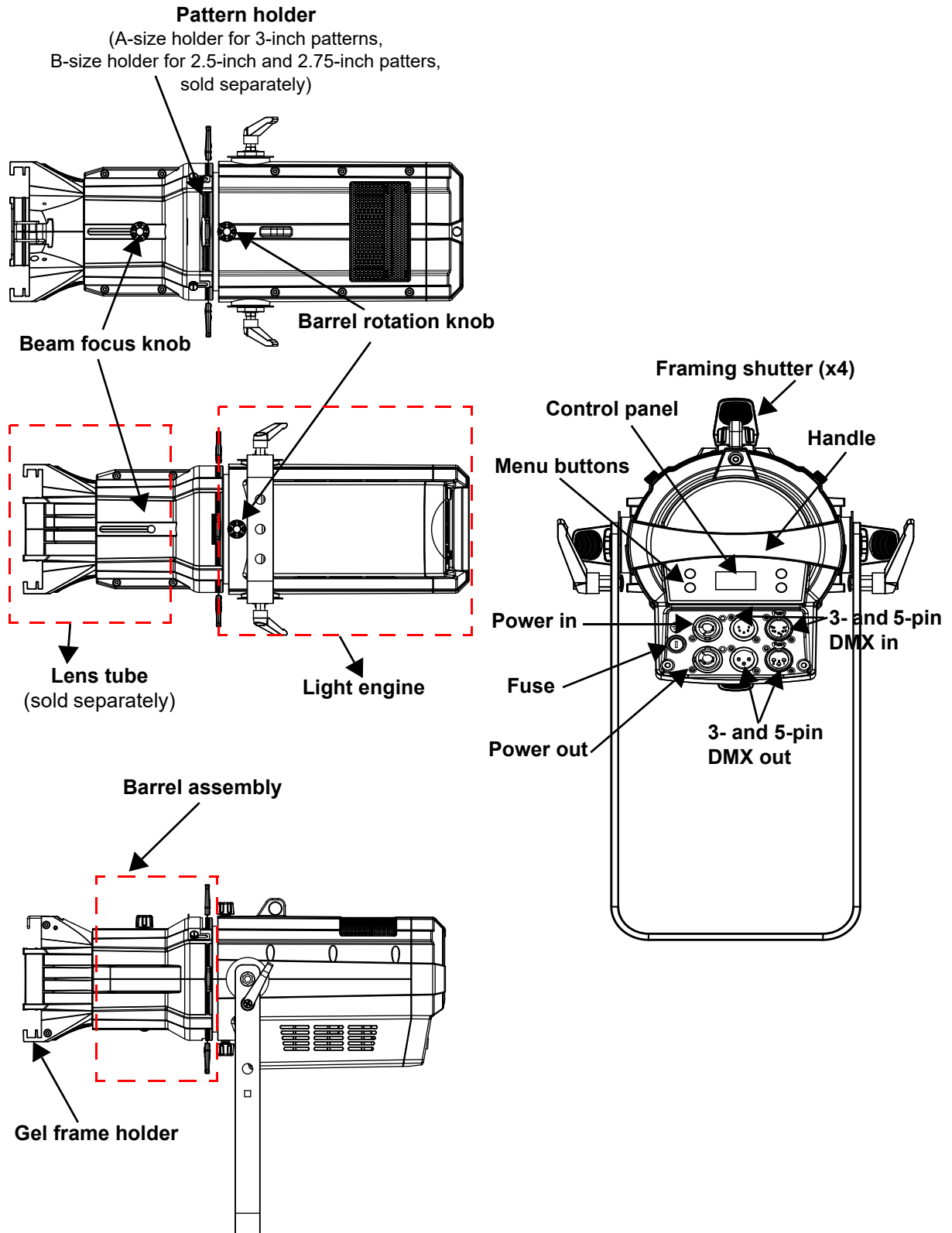
Description

The Ovation E-910FC is a high-performance ERS-style fixture with full RGBAL color mixing and color temperature presets of 2800 K to 6500 K that match the output of a tungsten source to perfection. Control options include full 16-bit dimming (per color and master), selectable PWM, RDM, and on-board dimming curve selection. Chauvet's Virtual Color Wheel, which matches popular gel colors, is also accessible.

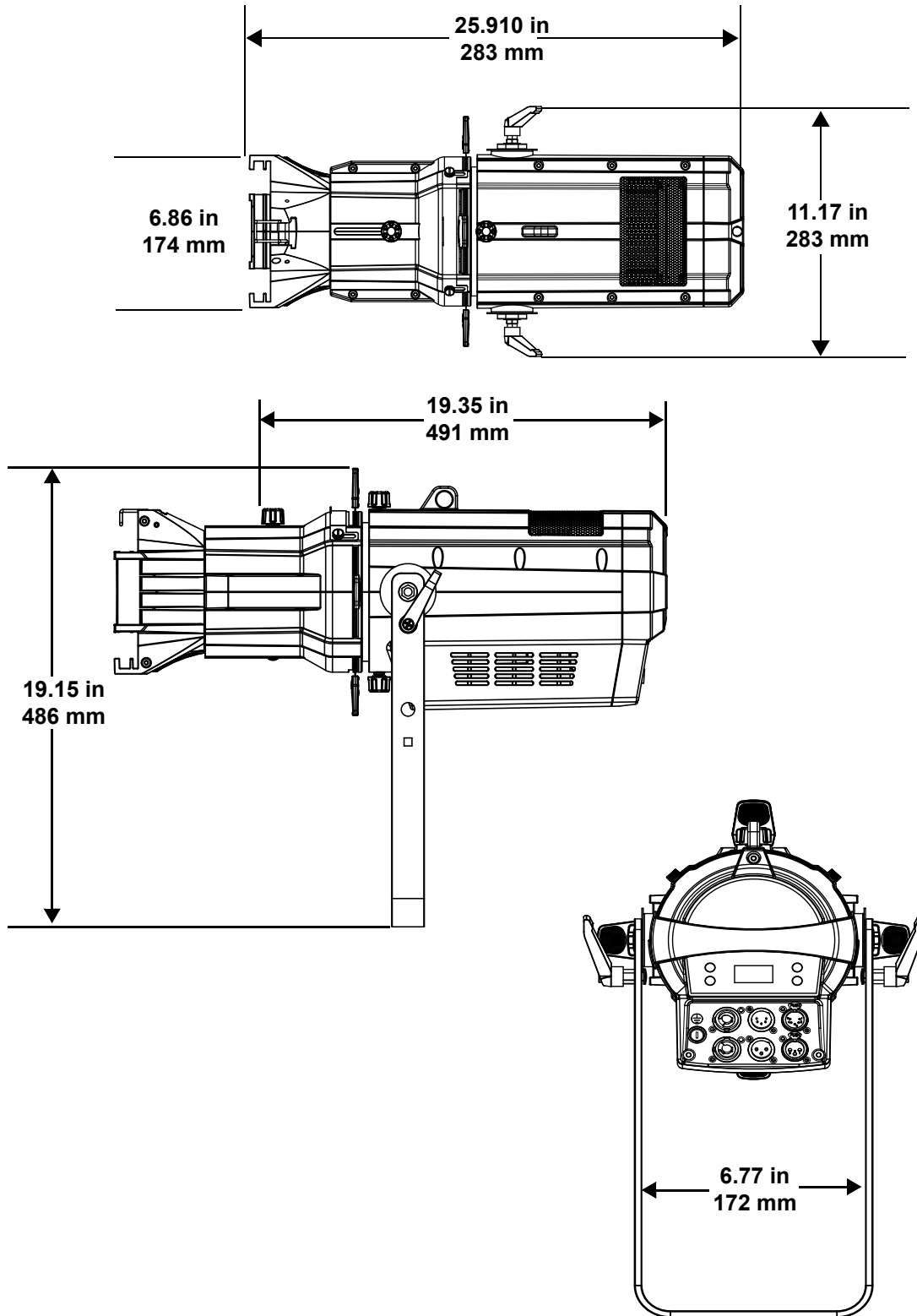
Features

- Operating modes:
 - HSV: hue, saturation, value control
 - 1-channel: dimmer
 - 3-channel: dimmer, virtual color wheel, color temperature
 - 5-channel: RGBAL control
 - 7-channel: RGBAL control, dimmer, strobe
 - 10-channel: RGBAL control, 16-bit dimmer, strobe, virtual color wheel, color temperature
 - 12-channel: RGBAL control, dimmer, strobe, virtual control wheel, color temperature, auto programs, auto speed, control
 - 13-channel: 16-bit RGBAL and dimmer, strobe
 - 16-channel: 16-bit RGBAL and dimmer, strobe, virtual color wheel, color temperature, control
- Full-color LED (RGBAL) ERS-style lighting product for theater, film, and production
- Ultra-smooth 16-bit dimming of master dimmer and individual colors
- Flat, even field of light with superior color mixing
- Virtual color wheel with color matched to popular gel colors
- Color temperature presets from 2800 K to 6500 K with high CRI and CQS
- RDM (Remote Device Management) for added flexibility
- Adjustable PWM (Pulse Width Modulation) to avoid flickering on camera
- Virtually silent operation for use in studio and theater applications
- Works perfectly with industry-standard lens tubes and accessories

Product Overview



Product Dimensions



3. Setup

AC Power

Each Ovation E-910FC has an auto-ranging power supply that works with an input voltage range of 100 to 240 VAC, 50/60 Hz. To determine the power requirements for each Ovation E-910FC, refer to the label affixed to the product or to the [Technical Specifications](#) chart in this manual.

The listed current rating indicates the maximum current draw during normal operation. For more information, download Sizing Circuit Breakers from the Chauvet website: www.chauvetprofessional.com.



- **Always connect the product to a protected circuit (a circuit breaker or fuse). Make sure the product has an appropriate electrical ground to avoid the risk of electrocution or fire.**
- **To eliminate unnecessary wear and improve its lifespan, during periods of non-use completely disconnect the product from power via breaker or by unplugging it.**



Never connect the product to a rheostat (variable resistor) or dimmer circuit, even if the rheostat or dimmer channel serves only as a 0 to 100% switch.

AC Plug

The Ovation E-910FC comes with a power input cord terminated with a Neutrik® powerCON® connector on one end and an Edison plug on the other end (U.S. market). If the power input cord that came with the product has no plug, or if the plug needs to be changed, use the table below to wire the new plug.

Connection	Wire (U.S.)	Wire (Europe)	Screw Color
AC Live	Black	Brown	Yellow or Brass
AC Neutral	White	Blue	Silver
AC Ground	Green/Yellow	Green/Yellow	Green

Power Linking

The product supports power linking. It is possible to power link up to 7 products at 120 V, up to 13 products at 208 V, up to 14 products at 230 V, or up to 15 products at 240 V. This product comes with a power input cord. Power-linking cables are available for purchase from Chauvet.

Fuse Replacement

1. Disconnect this product from the power outlet.
2. Using a Phillips-head screwdriver, unscrew the fuse holder cap from the housing.
3. Remove the blown fuse and replace with another fuse of the same type and rating (T 3.15 A, 250 V).
4. Screw the fuse holder cap back in place and reconnect power.



Make sure to disconnect the product's power cord before replacing a blown fuse. Always replace the blown fuse with another of the same type and rating.

DMX Linking

The Ovation E-910FC can be linked to a DMX controller using a 3- and 5-pin DMX connection. If using other DMX-compatible products with this product, it is possible to control each individually with a single DMX controller.

DMX Personalities

The Ovation E-910FC uses a 3- and 5-pin DMX data connection for the **HSV, 1Ch, 3Ch, 5Ch, 7Ch, 10Ch, 12Ch, 13Ch, and 16Ch** DMX personalities.

- Refer to the [Introduction](#) for a brief description of each DMX personality.
- Refer to the [Operation](#) chapter to learn how to configure the Ovation E-910FC to work in these personalities.
- The [DMX Values](#) section provides detailed information regarding the DMX personalities.



For information about DMX standards, Master/Slave connectivity, or the DMX cables needed to link this product to a DMX controller, download the DMX Primer from the Chauvet website: www.chauvetprofessional.com.

Remote Device Management (RDM)

Remote Device Management, or RDM, is a standard for allowing DMX-enabled devices to communicate bi-directionally along existing DMX cabling. Check with the manufacturer or the DMX controller's User Manual, as not all DMX controllers have this capability. The Ovation E-910FC supports RDM protocol that allows feedback to make changes to menu map options.

Master/Slave Connectivity

The Master/Slave mode allows an Ovation E-910FC (the master) to control one or more Ovation E-910FC products (the slaves) without a DMX controller. One Ovation E-910FC becomes the master when running an auto or custom program, or in Static mode.

Each slave's control panel must be configured to operate in Slave mode. During Master/Slave operation, the slaves will operate in unison with the master.



DO NOT connect a DMX controller to products operating in Master/Slave mode. The DMX controller signals may interfere with the signals from the master.



- The [Operation](#) section of this manual provides detailed instructions on how to configure the master and slaves.
- For more information about DMX standards or the DMX cables needed to link this product to a DMX controller, download the DMX primer from the Chauvet website: www.chauvetprofessional.com.

Mounting

Before mounting the product, read and follow the safety recommendations indicated in the [Safety Notes](#). For CHAUVET Professional line of mounting clamps, go to: <http://trusst.com/products/>.

Orientation

Always mount this product in a safe position, ensuring that there is adequate room for ventilation, configuration, and maintenance.

Rigging

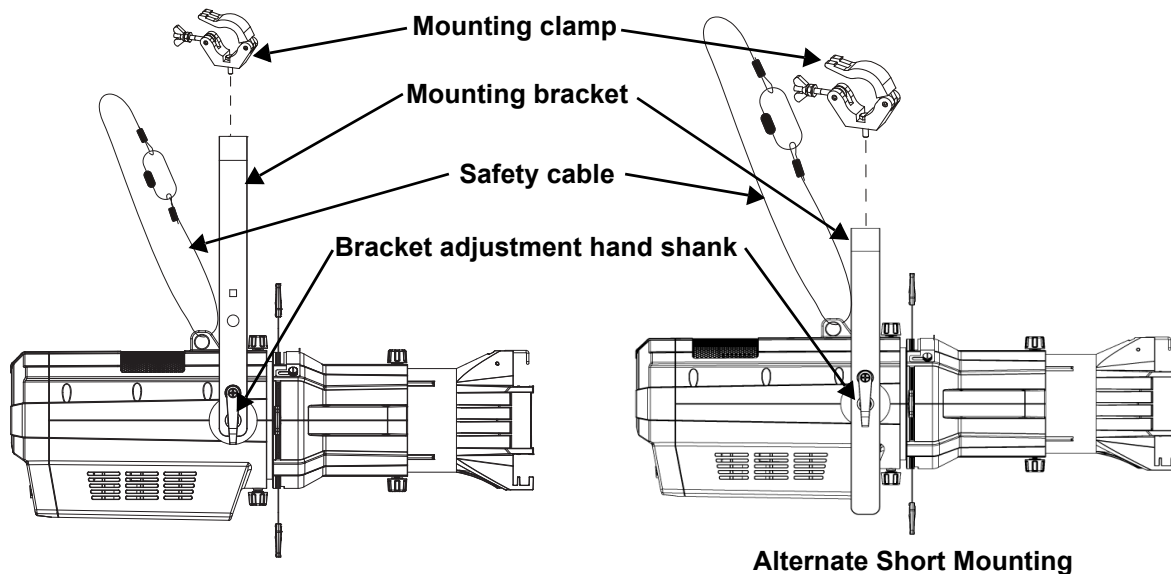
Chauvet recommends using the following general guidelines when mounting this product:

- Before deciding on a location for the product, make sure there is easy access to the product for maintenance and programming purposes.
- Make sure that the structure onto which the product will be mounted can support the product's weight. See the [Technical Specifications](#) for weight information.
- When mounting the product overhead, always use a safety cable. Mount the product securely to a rigging point, whether an elevated platform or a truss.
- When rigging the product onto a truss, use a mounting clamp of appropriate weight capacity.
- When power linking multiple products, mount the products close enough for power-linking cables to reach.
- The bracket adjustment knobs allow for directional adjustment when aiming the product to the desired angle. Only loosen or tighten the bracket knobs manually. Using tools could damage the knobs.

Procedure

The Ovation E-910FC comes with a double-bracketed yoke that can be used as a floor stand or to which mounting clamps can be attached for hanging. Mounting clamps must be purchased separately. Ensure that the clamps can support the weight of this product. Use at least one mounting point per product where necessary.

Mounting Diagram



Manual Beam Focus Control

The Ovation E-910FC has a manual focus, which is adjusted as follows:

1. Locate the beam focus knobs at the top and bottom of the barrel assembly.
2. Loosen the knobs by turning them counterclockwise.
3. Slide the lens tube forward or backward until the desired focus or beam edge is achieved.
4. Tighten the knobs by turning them clockwise, which locks the lens tube's position.



To avoid changing menu settings while focusing the Ovation E-910FC, press and hold the <ENTER> button for 3 seconds. This will put the product in Focus Mode, by increasing the intensity to 100%. To exit out of focus mode, press <MENU>.

Rotating the Barrel Assembly

The Ovation E-910FC allows manual rotation of the barrel assembly, as follows:

1. Locate the barrel rotation knobs at the top and bottom of the light engine.
2. Loosen the knobs by turning them counterclockwise. (**Note:** Do not remove the knobs.)
3. Rotate the barrel to the desired position, up to 25° in either direction from the centered position.
4. Tighten the knobs by turning them clockwise, which locks the barrel's position.

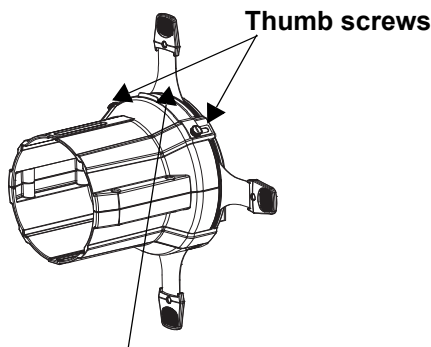


Ensure that the barrel assembly is oriented with the pattern holder and accessory slots at the top of the product.

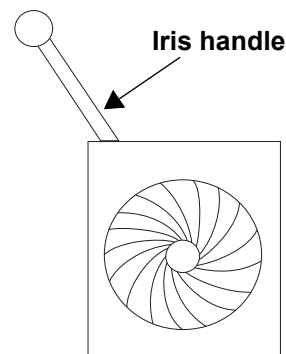
Accessory Slot

The Ovation E-910FC has an accessory slot, which holds a drop-in iris, a motorized pattern device, or various other optional accessories (sold separately).

1. Loosen the thumbscrews on the slot cover. (**Note:** Do not remove the thumbscrews).
2. Slide to cover forward.
3. Insert an accessory. (**Note:** Make sure to insert the accessory correctly. i.e., the iris handle extends upward from the slot).
4. Slide the cover back. Make sure any handles or adjustment tools that stick out the top are able to function correctly.
5. Tighten the thumbscrews to secure the cover.



Accessory Slot Cover



Sample Drop-in Iris



- When not using the accessory slot, replace and secure the slot cover to prevent light leakage during operation.
- When obtaining any optional accessories, be sure the items are compatible with the Ovation E-910FC.

Soft Focus Filter

The Ovation E-910FC comes with a soft focus filter. To keep the soft focus filter in good condition:

- Ensure that no fingerprints are left on the filter, as this may cause the filter to heat unevenly and eventually warp.
- When placing the filter in the holder, follow the orientation direction printed on the filter.
- When inserting shutter blades into the light path, note that the heat is reflected back at the filter. The deeper the blades are inserted, and the longer the fixture runs, the more heat gets reflected on to the filter, causing it to warp and potentially adhere to the shutter blades.

4. Operation

Control Panel Operation

Button	Function
<MENU>	Exits from the current menu or function
<ENTER>	Enables the currently displayed menu or sets the currently selected value in to the current function
<UP>	Navigates upward through the menu list or increases the numeric value when in a function
<DOWN>	Navigates downward through the menu list or decreases the numeric value when in a function

Control Options

Set the Ovation E-910FC starting address in the 001-512 DMX range. This enables control of up to 12 products in the 16-channel personality.

Programming

Refer to the [Menu Map](#) to understand the menu options. The menu map shows the main level and a variable number of programming levels for each option.

- To go to the desired main level, press <MENU> repeatedly until the option shows on the display. Press <ENTER> to select. This will show the first programming level for that option.
- To select an option or value within the current programming level, press <UP> or <DOWN> until the option shows on the display. Press <ENTER> to select. This will show either the first option if there is another programming level, or the selected value.
- Press <MENU> repeatedly to exit to the previous main level.

Configuration (DMX)

Use DMX configurations to operate the product with a DMX controller.

DMX Personalities

This setting allows the user to choose a particular DMX personality.

1. Go to the **DMX Channel** main level.
2. Select the desired personality (**1Ch, 3Ch, 5Ch, 7Ch, 10Ch, 12Ch, 13Ch, 16Ch, and HSV**).



- See the [Starting Address](#) section for the highest starting address suggested for each personality.
- Make sure that the starting addresses on the various products do not overlap due to the new personality setting.

Starting Address

In this mode, each product will respond to a unique starting address from the DMX controller. All products with the same starting address will respond in unison.

1. Go to the **DMX Address** main level.
2. Set the starting address (**001–512**).

The highest recommended starting address for each DMX mode is as follows:

DMX Personality	DMX Address	DMX Personality	DMX Address
HSV	510	10Ch	503
1Ch	512	12Ch	501
3Ch	510	13Ch	500
5Ch	508	16Ch	497
7Ch	506		

Menu Map

Refer for the Ovation E-910FC product page on www.chauvetprofessional.com for the latest menu map.

Main Level	Programming Levels	Description
DMX Address	001–512*	Selects DMX address (*highest channel restricted to personality chosen)
DMX Channel	1Ch	1-channel: dimmer
	3Ch	3-channel: dimmer, virtual color wheel, color temperature
	5Ch	5-channel: RGBAL
	7Ch	7-channel: dimmer, RGBAL, strobe
	10Ch	10-channel: 16-bit dimmer, RGBAL, strobe, virtual color wheel, color temperature
	12Ch	12-channel: dimmer, RGBAL, strobe, virtual color wheel, color temperature, auto program, auto speed, control
	13Ch	13-channel: 16-bit dimmer, 16-bit RGBAL, strobe
	16Ch	16-channel: 16-bit dimmer, 16-bit RGBAL control, strobe, virtual color wheel, color temperature, control
	HSV	3-channel: hue, saturation, value

Main Level	Programming Levels		Description
Virtual Color Wheel	Virtual Color Wheel	C3050 - Md Yellow	Dimmer 0–255 Virtual Color Wheel simulates the output of each gel color. Refer to the Virtual Color Wheel Chart for specific values.
		C3040 - Lt Yellow	
		C3240 - Amb Yellow	
		C2340 - VLt Amber	
		C2040 - Lt Amber	
		C2050 - Md Amber	
		C2060 - Dk Amber	
		C1050 - Lt Red	
		C1080 - Md Red	
		C1020 - NC Pink	
		C1030 - Md Pink	
		C1630 - Dk Pink	
		C1250 - Md Red Amber	
		C1060 - Dk Red Amber	
		C1650 - Magenta	
		C6170 - Dk Magenta	
		C6020 - Lt Lavender	
		C5030 - Lt Blue	
		C5020 - VLt Blue	
		C5430 - Lt Blue 2	
		C5070 - Blue	
		C5050 - Md Blue	
		C5060 - Dk Blue	
		C5690 - Indigo	
		C5080 - VDk Blue	
		C5081 - VDk Blue 2	
		C4370 - Yel Green	
		C4070 - Green	
		C4550 - Turquoise	
		C4560 - Aqua	
C4570 - Blue Green			

Main Level	Programming Levels		Description	
Virtual Color Wheel	Color Temperature	2800K	Dimmer 0–255	Preset white color temperatures. Emulates a tungsten lamp at the specified color temperature. Refer to the Color Temperature DMX Chart for specific values.
		3000K		
		3200K		
		3500K		
		4000K		
		4500K		
		5000K		
		5600K		
	6000K			
	6500K			
	Manual Color Mixer	Red	0–255	Combines red, green, blue, amber, and lime to make a custom color (0–100%)
		Green		
		Blue		
Amber				
Lime				
Color X-Fade Speed	Off		Turns off the fade transition between colors	
	X-Fade Speed 1		Creates fade transition between colors when using colors in the Virtual Color Wheel or Color Temperature chart, from fast (X-Fade Speed 1) to slow (X-Fade Speed 4)	
	X-Fade Speed 2			
	X-Fade Speed 3			
X-Fade Speed 4				
Auto Show	Auto 1–5	1–100	Selects automatic programs and auto program speed	
Red Shift	On		Mimics halogen lamp dimming	
	Off			
Master/ Slave	Master		Receives DMX signal from the DMX controller (master)	
	Slave		Receives DMX signal from the master unit	
Dimmer Curve	SCurve		Sets the dimmer curve	
	Linear			
	Square			
	Inverse Square			
Dimmer Mode	Off		Linear dimmer	
	Dimmer 1–3		Dimming curves, from fast (Dimmer 1) to slow (Dimmer 3)	
White Balance	Off		Uses factory default white setting	
	Manual	Red	125–255	Sets red LED maximum value
		Green		Sets green LED maximum value
		Blue		Sets blue LED maximum value
		Amber		Sets amber LED maximum value
		Lime		Sets lime LED maximum value
LED Frequency	600Hz		Sets the PWM frequency	
	1200Hz			
	2000Hz			
	4000Hz			
	6000Hz			
	25KHz			

Main Level	Programming Levels		Description
Fan Mode	Auto		Sets the fan to auto mode
	On		Sets the fan to always on
	Off		Sets the fan to always off
	Silent		Sets the fan to silent
Back Light	10S		Turns off display backlight after 10 seconds
	30S		Turns off display backlight after 30 seconds
	2Min		Turns off display backlight after 2 minutes
	Always On		Display backlight remains on
Information	Fixture Hours	----_H	Shows total hours the product has been powered on
	LED Hours	----_H	Shows total hours the LEDs have been powered on
	Version	V._.	Shows current firmware version
	UID	-----	Shows product UID

Configuration (Standalone)

Use standalone configuration to operate the product without a DMX controller.

Focus Mode

Focus mode allows for focusing of the Ovation E-910FC without changing any menu settings.

1. Press and hold <ENTER> for 3 seconds. The intensity will increase to 100%.
2. Press <MENU> to exit to previous settings.

Virtual Color Wheel

1. Go to the **Virtual Color Wheel** main level.
2. Select **Virtual Color Wheel**.
3. Select the desired gel color (see [Virtual Color Wheel Chart](#)).
4. Select the desired output level (**000–255**).

Color Temperature

To select a color temperature, do the following:

1. Go to the **Virtual Color Wheel** main level.
2. Select **Color Temperature**.
3. Select the desired color temperature (see [Color Temperature DMX Chart](#)).
4. Select the desired output level (**000–255**).

Manual Color Mixer

To do color mixing without a DMX controller, follow the instructions below:

1. Go to the **Virtual Color Wheel** main level.
2. Select **Manual Color Mixer**.
3. Select the color to edit (**Red, Green, Blue, Amber, or Lime Green**).
4. Select the desired output level for that color (**000–255**).
5. Repeat steps 3 and 4 until product outputs as desired.

Auto Programs

Auto programs allow for dynamic RGBAL color mixing without a DMX controller.

1. Go to **Auto Show** main level.
2. Select the desired auto program (**Auto 1–5**).
3. Select the desired speed (**1–100**).

Red Shift

The Red Shift function causes the amber LEDs to imitate the appearance of a halogen lamp when dimming.

To adjust the Red Shift function, do the following:

1. Go to the **Red Shift** main level.
2. Select **On** or **Off**.

Master/Slave

The Master/Slave mode allows a group of Ovation E-910FC products (the slaves) to simultaneously duplicate the output of another Ovation E-910FC (the master) without a DMX controller.

To set each of the slaves:

1. Go to the **Master/Slave** main level
2. Select **Slave**.

To set the master:

1. Go to the **Master/Slave** main level
2. Select **Master**.
3. Select a static setting.



- **The master is the one that runs a program whether in Auto or Static mode.**
- **Do not connect a DMX controller to the products configured for Master/Slave operation. The DMX controller may interfere with signals from the master.**
- **The master should be the first product in the daisy chain.**

Dimmer Curve

To set the dimmer curve, follow the instructions below:

1. Go to the **Dimmer Curve** main level.
2. Select the desired option (**SCurve**, **Linear**, **Square**, or **Inverse Square**).

Dimmer Profiles

This setting determines how fast the output of the Ovation E-910FC changes when the output value is modified. It provides four different options to simulate the dimming curve of an incandescent lighting product. To select a specific dimmer profile, do the following:

1. Go to the **Dimmer Mode** main level.
2. Select a dimmer curve (**Off**, **Dimmer 1**, **Dimmer 2**, or **Dimmer 3**).



Off: The output is proportional (linear) to the dimmer channel value.
Dimmer 1-3: The output follows the dimmer value based on the corresponding dimmer curve, **Dimmer 1** being the fastest.



For optimum control of the 16-bit dimming channels in the 10Ch, 13Ch, and 15Ch personalities, ensure that the dimming curves in Dimmer Mode are set to Off.

White Balance

This setting determines the maximum output values for each color, which affects the appearance of a full output white.

1. Go to the **White Balance** main level.
2. Select **Off** (the product will use a default setting) or **Manual**.
3. For **Manual** mode, select the color value to edit (**Red**, **Green**, **Blue**, **Amber**, or **Lime Green**).
4. Set the maximum value for the selected color (**125–255**).
5. Repeat steps 3 and 4 until the product outputs as desired.

LED Frequency

This option changes the Pulse Width Modulation (PWM) frequency of the LEDs on the Ovation E-910FC. To do so, follow the instructions below:

1. Go to the **LED Frequency** main level.
2. Select PWM Frequency (**600Hz**, **1200Hz**, **2000Hz**, **4000Hz**, **6000Hz**, or **25Khz**).

Fan Mode

This setting determines how the fan speed on the Ovation E-910FC is set.

1. Go to the **Fan Mode** main level
2. Select **Auto** (fan speed will increase or decrease based on product temperature), **Off** (fan will stay off. Product output will decrease based on product temperature), **Silent** (fan will maintain a constant silent speed), or **On** (fan speed will always be at maximum).



NOTICE: When operating in Fan Mode: Off, the output of the fixture will be reduced and will not reach the same levels as when using other fan modes.



WARNING: When operating in Fan Mode: Off, the fixture will become hotter to the touch than when using other fan modes. Use proper protective equipment to prevent burns. Keep a safe distance from flammable objects.

Back Light

This setting allows for selection of the amount of time the backlight on the Ovation E-910FC's display stays on after the last button is pressed on the control panel.

1. Go to the **Back Light** main level.
2. Select **10S** (10 seconds), **30S** (30 seconds), **2Min** (2 minutes), or **Always On** (remains on).

System Information

This option displays the total number of hours the product has run, the installed software version, and the product's UID.

1. Go to the **Information** main level.
2. Select **Fixture Hours**, **LED Hours**, **Version**, or **UID**.

Virtual Color Wheel (VCW)

The Ovation E-910FC includes a feature called the Virtual Color Wheel (VCW). This feature is available as a standalone control mode for manual use and as a control channel in select DMX personalities. More than 30 premixed colors, custom blended by Chauvet engineers, are available to call up for easier programming.

The DMX values used to mix these colors are provided below. The overall intensity of the Ovation fixture can be adjusted to more closely replicate familiar industry-standard colors. A chart is available at www.chauvetprofessional.com to compare Chauvet's premixed colors with popular gel colors. This chart is for comparison purposes only and is not an assertion that Chauvet's premixed colors match any of the gel colors listed.

Virtual Color Wheel Chart

DMX Channel Value	Display Readout	Red Value	Green Value	Blue Value	Amber Value	Lime Green Value
000 ⇔ 005	--	--	--	--	--	--
006 ⇔ 013	C3050 - Md Yellow	233	163	20	123	255
014 ⇔ 021	C3040 - Lt Yellow	224	158	47	255	231
022 ⇔ 028	C3240 - Amb Yellow	180	60	0	245	255
029 ⇔ 035	C2340 - VLt Amber	245	107	81	255	213
036 ⇔ 043	C2040 - Lt Amber	230	130	62	255	155
044 ⇔ 051	C2050 - Md Amber	255	0	25	255	194
052 ⇔ 059	C2060 - Dk Amber	255	0	24	255	150
060 ⇔ 067	C1050 - Lt Red	255	37	27	30	38
068 ⇔ 075	C1080 - Md Red	255	4	17	0	0
076 ⇔ 083	C1020 - NC Pink	238	135	129	255	255
084 ⇔ 091	C1030 - Md Pink	255	131	120	255	195
092 ⇔ 099	C1630 - Dk Pink	250	165	123	255	210
100 ⇔ 107	C1250 - Md Red Amber	255	0	41	195	55
108 ⇔ 115	C1060 - Dk Red Amber	255	0	45	120	30
116 ⇔ 121	C1650 - Magenta	255	50	115	255	115
122 ⇔ 130	C6170 - Dk Magenta	255	35	117	0	0
131 ⇔ 138	C6020 - Lt Lavender	127	122	142	251	255
139 ⇔ 146	C5030 - Lt Blue	0	255	197	100	255
147 ⇔ 154	C5020 - VLt Blue	158	255	189	0	255
155 ⇔ 162	C5430 - Lt Blue2	0	255	180	0	243
163 ⇔ 170	C5070 - Blue	43	255	210	43	36
171 ⇔ 178	C5050 - Md Blue	0	255	218	0	181
179 ⇔ 186	C5060 - Dk Blue	0	210	206	0	118
187 ⇔ 194	C5690 - Indigo	65	0	210	40	55
195 ⇔ 202	C5080 - VDk Blue	0	203	230	0	40
203 ⇔ 210	C5081 - VDk Blue2	40	199	240	0	45
211 ⇔ 218	C4370 - Yel Green	27	255	28	16	104
219 ⇔ 226	C4070 - Green	49	255	55	120	90
227 ⇔ 234	C4550 - Turquoise	60	230	109	0	245
235 ⇔ 242	C4560 - Aqua	20	240	126	36	255
243 ⇔ 250	C4570 - Blue Green	0	255	79	30	53
251 ⇔ 255	--	--	--	--	--	--



Note: The colors above are simulated renditions of the color output produced compared with other similar incandescent products. Chauvet makes no guarantee of the color output accuracy.

Color Temperature DMX Chart

DMX Channel	Color Temperature	Red Value	Green Value	Blue Value	Amber Value	Lime Green Value
000 ⇔ 005	No function	--	--	--	--	--
006 ⇔ 025	2800K	187	130	97	255	255
026 ⇔ 050	3000K	177	145	105	255	255
051 ⇔ 075	3200K	168	157	113	255	255
076 ⇔ 100	3500K	163	177	124	255	255
101 ⇔ 125	4000K	151	195	141	255	255
126 ⇔ 150	4500K	145	214	157	255	255
151 ⇔ 175	5000K	138	227	170	255	255
176 ⇔ 200	5600K	130	239	184	255	255
201 ⇔ 225	6000K	126	246	193	255	255
226 ⇔ 250	6500K	120	254	201	255	255
226 ⇔ 250	No function	--	--	--	--	--



Note: The color temperatures above are simulated renditions of the color output produced compared with a tungsten lamp at the specified color temperature. Chauvet makes no guarantee of the color output accuracy.

DMX Values

16Ch / 13Ch / 12Ch / 10Ch / 7Ch / 5Ch

5Ch	7Ch	10Ch	12Ch	13Ch	16Ch	Function	Value	Percent/Setting
-	1	1	1	1	1	Dimmer	000 ⇔ 255	0–100%
-	-	2	-	2	2	Dimmer Fine	000 ⇔ 255	0–100%
1	2	3	2	3	3	Red	000 ⇔ 255	0–100%
-	-	-	-	4	4	Red Fine	000 ⇔ 255	0–100%
2	3	4	3	5	5	Green	000 ⇔ 255	0–100%
-	-	-	-	6	6	Green Fine	000 ⇔ 255	0–100%
3	4	5	4	7	7	Blue	000 ⇔ 255	0–100%
-	-	-	-	8	8	Blue Fine	000 ⇔ 255	0–100%
4	5	6	5	9	9	Amber	000 ⇔ 255	0–100%
-	-	-	-	10	10	Amber Fine	000 ⇔ 255	0–100%
5	6	7	6	11	11	Lime	000 ⇔ 255	0–100%
-	-	-	-	12	12	Lime Fine	000 ⇔ 255	0–100%
-	7	8	7	13	13	Strobe	000 ⇔ 010 011 ⇔ 255	No function Strobe, slow to fast
-	-	9	8	-	14	Virtual Color Wheel	000 ⇔ 255	Refer to the Color Chart section for specific values
-	-	10	9	-	15	Color Temperature	000 ⇔ 255	Refer to the Color Temperature Chart section for specific values
-	-	-	10	-	-	Auto Programs	000 ⇔ 010 011 ⇔ 060 061 ⇔ 110 111 ⇔ 160 161 ⇔ 210 211 ⇔ 255	No function Auto program 1 Auto program 2 Auto program 3 Auto program 4 Auto program 5
-	-	-	11	-	-	Auto Speed	000 ⇔ 255	Auto speed, slow to fast
-	-	-	12	-	16	Control (hold for 3 seconds)	000 ⇔ 007 008 ⇔ 015 016 ⇔ 023 024 ⇔ 031 032 ⇔ 039 040 ⇔ 047 048 ⇔ 055 056 ⇔ 063 064 ⇔ 071 072 ⇔ 079 080 ⇔ 087 088 ⇔ 095 096 ⇔ 103 104 ⇔ 111 112 ⇔ 119 120 ⇔ 127 128 ⇔ 135 136 ⇔ 255	No function Dimmer Reset Red Shift On Red Shift Off Dimmer: S-Curve Dimmer: Linear Dimmer: Square Dimmer: Inverse Square Dimmer Mode: Off Dimmer Mode 1 Dimmer Mode 2 Dimmer Mode 3 X-Fade Speed: OFF X-Fade Speed: 1 (fastest) X-Fade Speed: 2 X-Fade Speed: 3 X-Fade Speed: 4 (slowest) Reserved for future use

OPERATION

3Ch / 1Ch

1Ch	3Ch	Function	Value	Percent/Setting
1	1	Dimmer	000 ⇔ 255	0–100%
–	2	Virtual Color Wheel	000 ⇔ 255	Refer to the Color Chart section for specific values
–	3	Color Temperature	000 ⇔ 255	Refer to the Color Temperature Chart section for specific values

HSV

Channel	Function	Value	Percent/Setting
1	Hue	000 ⇔ 255	0–100%
2	Saturation	000 ⇔ 255	0–100%
3	Value	000 ⇔ 255	0–100%

5. Technical Information

Product Maintenance

To maintain optimum performance and minimize wear, clean this product frequently. Usage and environment are contributing factors in determining the cleaning frequency.

Clean this product at least twice a month. Dust build-up reduces light output performance and can cause overheating. This can lead to reduced light source life and increased mechanical wear.

To clean the product:

1. Unplug the product from power.
2. Wait until the product is at room temperature.
3. Use a vacuum (or dry compressed air) and a soft brush to remove dust collected on the external vents.
4. Clean all transparent surfaces with a mild soap solution, ammonia-free glass cleaner, or isopropyl alcohol.
5. Apply the solution directly to a soft, lint-free cotton cloth or a lens-cleaning tissue.
6. Softly drag any dirt or grime to the outside of the transparent surface.
7. Gently polish the transparent surfaces until they are free of haze and lint.



Always dry the transparent surfaces carefully after cleaning them.

6. Technical Specifications

Dimensions and Weight

Length	Width	Height	Weight
19.49 in (495 mm)	11.22 in (285 mm)	19.17 in (487 mm)	15.40 lb (7.1 kg)

Note: Dimensions in inches rounded to the nearest hundredth.

Power

Power Supply Type	Range	Voltage Selection
Switching (internal)	100 to 240 VAC, 50/60 Hz	Auto-ranging

Parameter	100 V, 60 Hz	120 V, 60 Hz	208 V, 60 Hz	230 V, 50 Hz	240 V, 50 Hz
Consumption	220 W	215 W	214 W	216 W	217 W
Operating Current	2.171 A	1.786 A	1.032 A	0.935 A	0.904 A
Power-linking current (products)	13.6 A (6 products)	13.6 A (7 products)	13.6 A (13 products)	13.6 A (14 products)	13.6 A (15 products)

Power I/O	U.S./Canada	Worldwide
Power input connector	Neutrik® powerCON® A	Neutrik® powerCON® A
Power output connector	Neutrik® powerCON® B	Neutrik® powerCON® B
Power cord plug	Edison (U.S.)	Local plug

Light Source

Type	Color	Quantity	Power	Current	Lifespan
LED	Red	18	3 W	722 mA	50,000 hours
	Green	18			
	Blue	19			
	Amber	18			
	Lime green	18			

Photometrics

Parameter	5°	10°	14°	19°	26°	36°	50°	15°–30°	25°–50°		
Beam angle	7°	10°	11°	19°	24°	28°	41°	13°	24°	23°	36°
Field angle	7°	10°	14°	19°	26°	34°	51°	15°	29°	26°	50°
Illuminance @ 5 m	16,300 lux	7,430 lux	4,420 lux	2,530 lux	1,720 lux	1,020 lux	457 lux	4,260 lux	1,620 lux	1,790 lux	825 lux
Lumens	N/A	N/A	N/A	3,236	4,316	3,918	3,813	N/A	N/A	N/A	N/A

Thermal

Maximum External Temperature	Cooling System
113 °F (45 °C)	Fan-assisted convection

DMX

I/O Connector	Channel Range
3- and 5-pin XLR	1, 3, 5, 7, 10, 12, 13, 16, or HSV

Ordering

Product Name	Item Name	Item Code	UPC Number
Ovation E-910FC	OVATIONE910FC	03121116	781462214647



Returns

Send the product prepaid, in the original box, and with the original packing and accessories. Chauvet will not issue call tags.

Call Chauvet and request a Return Merchandise Authorization (RMA) number before shipping the product. Be prepared to provide the model number, serial number, and a brief description of the cause(s) for the return.

To submit a service request online, go to www.chauvetprofessional.com/service-request.

Clearly label the package with the RMA number. Chauvet will refuse any product returned without an RMA number.



Write the RMA number on a properly affixed label. DO NOT write the RMA number directly on the box.

Before sending the product, clearly write the following information on a piece of paper and place it inside the box:

- Your name
- Your address
- Your phone number
- RMA number
- A brief description of the problem

Be sure to pack the product properly. Any shipping damage resulting from inadequate packaging will be your responsibility. FedEx packing or double-boxing are recommended.



Chauvet reserves the right to use its own discretion to repair or replace returned product(s).

Contact Us

General Information	Technical Support
Chauvet World Headquarters	
Address: 5200 NW 108th Ave. Sunrise, FL 33351 Voice: (954) 577-4455 Fax: (954) 929-5560 Toll Free: (800) 762-1084	Voice: (844) 393-7575 Fax: (954) 756-8015 Email: chauvetcs@chauvetlighting.com Website: www.chauvetprofessional.com
Chauvet U.K.	
Address: Unit 1C Brookhill Road Industrial Estate Pinxton, Nottingham, UK NG16 6NT Voice: +44 (0) 1773 511115 Fax: +44 (0) 1773 511110	Email: UKtech@chauvetlighting.eu Website: www.chauvetprofessional.eu
Chauvet Benelux	
Address: Stokstraat 18 9770 Kruishoutem Belgium Voice: +32 9 388 93 97	Email: BNLtech@chauvetlighting.eu Website: www.chauvetprofessional.eu
Chauvet France	
Address: 3, Rue Ampère 91380 Chilly-Mazarin France Voice: +33 1 78 85 33 59	Email: FRtech@chauvetlighting.fr Website: www.chauvetprofessional.eu
Chauvet Germany	
Address: Bruno-Bürgel-Str. 11 28759 Bremen Germany Voice: +49 421 62 60 20	Email: DEtech@chauvetlighting.de Website: www.chauvetprofessional.eu
Chauvet Mexico	
Address: Av. de las Partidas 34 - 3B (Entrance by Calle 2) Zona Industrial Lerma Lerma, Edo. de México, CP 52000 Voice: +52 (728) 690-2010	Email: servicio@chauvet.com.mx Website: www.chauvetprofessional.mx

Visit the applicable website above to verify our contact information and instructions to request support. Outside the U.S., U.K., Ireland, France, Germany, Benelux, or Mexico, contact the dealer of record.