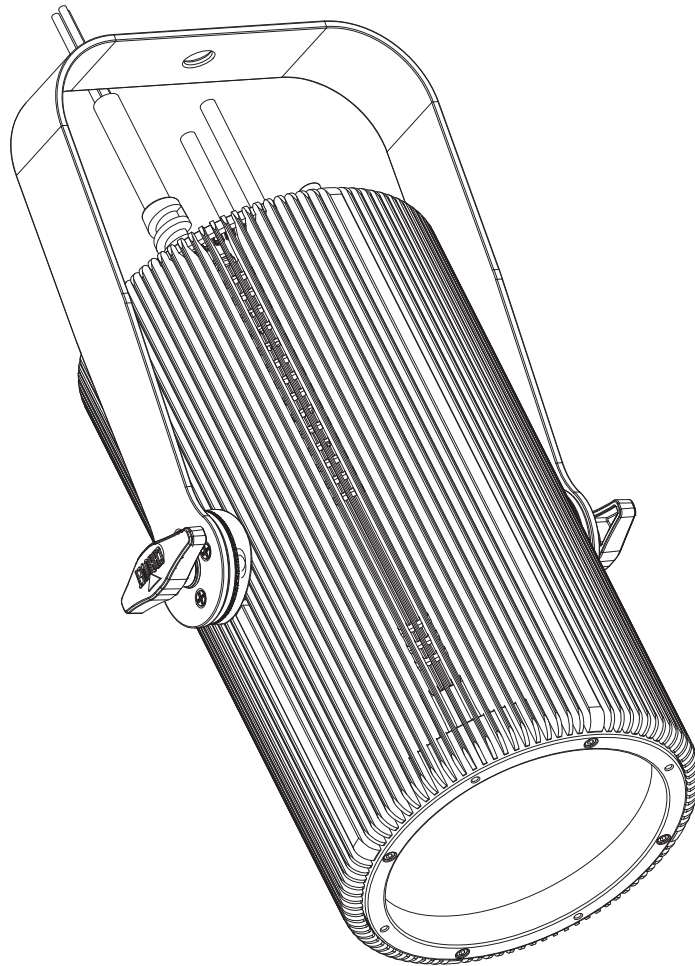


OVATION

H-605FC

Quick Reference Guide

English	EN
Español	ES
Français	FR
Deutsch	DE
Nederlands	NL



Model ID: OVATIONH605FC

About This Guide

The Ovation H-605FC Quick Reference Guide (QRG) has basic product information such as connection, mounting, menu options, and DMX values. Download the User Manual from www.chauvetprofessional.com for more details.

Disclaimer

The information and specifications contained in this QRG are subject to change without notice.

LIMITED WARRANTY

FOR WARRANTY REGISTRATION AND COMPLETE TERMS AND CONDITIONS PLEASE VISIT OUR WEBSITE.

For Customers in the United States and Mexico: www.chauvetlighting.com/warranty-registration.

For Customers in the United Kingdom, Republic of Ireland, Belgium, the Netherlands, Luxembourg, France, and Germany: www.chauvetlighting.eu/warranty-registration.

Chauvet warrants that this product shall be free from defects in material and workmanship under normal use, for the period specified in, and subject to the exclusions and limitations set forth in the full limited warranty on our website. This warranty extends only to the original purchaser of the product and is not transferable. To exercise rights under this warranty, you must provide proof of purchase in the form of an original sales receipt from an authorized dealer that shows the product name and date of purchase. THERE ARE NO OTHER EXPRESS OR IMPLIED WARRANTIES. This warranty gives you specific legal rights. You may also have other rights that vary from state to state and country to country. This warranty is valid only in the United States, United Kingdom, Republic of Ireland, Belgium, the Netherlands, Luxembourg, France, Germany and Mexico. For warranty terms in other countries, please consult your local distributor.

Safety Notes

- DO NOT open this product. It contains no user-serviceable parts.
- To eliminate unnecessary wear and improve its lifespan, during periods of non-use completely disconnect the product from power via breaker or by unplugging it.
- DO NOT look at the light source when the product is on.
- CAUTION: This product's housing may be hot when lights are operating.
- Mount this product in a location with adequate ventilation, at least 20 in (50 cm) from adjacent surfaces.
- DO NOT operate this product outdoors or in any location where dust, excessive heat, water, or humidity may affect it. (IP20)
- DO NOT leave any flammable material within 50 cm of this product while operating or connected to power.
- CAUTION: When transferring product from extreme temperature environments, (e.g., cold truck to warm humid ballroom) condensation may form on the internal electronics of the product. To avoid causing a failure, allow product to fully acclimate to the surrounding environment before connecting it to power.
- USE a safety cable when mounting this product overhead.
- DO NOT operate this product if the housing, lenses, or cables appear damaged.
- DO NOT connect this product to a dimmer or rheostat.
- ONLY connect this product to a grounded and protected circuit.
- ONLY use the hanging/mounting bracket to carry this product.
- In the event of a serious operating problem, stop using immediately.
- The maximum ambient temperature is 113 °F (45 °C). Do not operate this product at higher temperatures.

FCC Compliance

This device complies with Part 15 Part B of the FCC Rules. Operation is subject to the following two conditions:

1. This device may not cause harmful interference, and
2. This device must accept any interference received, including interference that may cause undesired operation.

Any changes or modifications not expressly approved by the party responsible for compliance could void the user's authority to operate the equipment.

Contact

Outside the US, UK, Ireland, Mexico, or Benelux, contact your distributor to request support or return a product. From inside the US, UK, Ireland, Mexico, or Benelux, use the information in [Contact Us](#) at the end of this QRG.

What is Included

- Ovation H-605FC
- 65°, 45° and 25° lenses
- 80° Filter
- Egg Crate
- Quick Reference Guide

AC Power

This product has an auto-ranging power supply that can work with an input voltage range of 100–240 VAC, 50/60 Hz.

AC Plug

Connection	Wire (U.S.)	Wire (Europe)	Screw Color
AC Live	Black	Brown	Yellow/Brass
AC Neutral	White	Blue	Silver
AC Ground	Green/Yellow	Green/Yellow	Green

Replacing The Fuse

1. Disconnect this product from power.
2. Using a flat-head screwdriver, unscrew the fuse holder cap from the housing.
3. Remove blown fuse and replace with a good fuse of the same type and rating.
4. Screw the fuse holder cap back in place and reconnect power.



To eliminate unnecessary wear and improve its lifespan, during periods of non-use completely disconnect the product from power via breaker or by unplugging it.

DMX Linking

The Ovation H-605FC will work with a DMX controller using a 5-pin DMX serial or a hard wire connection. A DMX Primer is available from www.chauvetprofessional.com.

DMX Connection

The Ovation H-605FC uses a 5-pin DMX or a hard wire data connection for its DMX personalities: **1, 3, 5, 7, 10, 12, 13, 16**, or **HSV**. See the User Manual for information about connecting and configuring the product for DMX operation.

Master/Slave Connection

The Ovation H-605FC uses the DMX data connection for its Master/Slave mode. See the User Manual for information about how to connect and configure the product for master/slave operation.

RDM (Remote Device Management)

Remote Device Management, or RDM, is a standard for allowing DMX-enabled devices to communicate bi-directionally along existing DMX cabling. Check the DMX controller's User Manual or with the manufacturer as not all DMX controllers have this capability. The Ovation H-605FC supports RDM protocol that allows feedback to make changes to menu map options. Download the User Manual from www.chauvetprofessional.com for more details.

Wireless Operation

In optimal conditions, the Ovation H-605FC can operate up to 300 m (900 ft) away from the W-DMX transmitter. The W-DMX receiver in the Ovation H-605FC must be paired with the W-DMX transmitter for wireless operation.

Initial Setup

1. Turn the W-DMX transmitter on.
2. Connect the W-DMX transmitter to a DMX controller.
3. Place the Ovation H-605FC within 300 m from the W-DMX transmitter. Disconnect any DMX cable from the Ovation H-605FC.
4. Turn the Ovation H-605FC on.

Configuration

1. From the Ovation H-605FC control panel, go to **DMX Address**.
2. Select the start address, as with any other DMX compatible product.
3. Go to **Wireless Setting > Receive On/Off**.
4. Select **On**. (The Signal Strength Indicator will show a ? in front of the bars)
5. Press the reset button on the W-DMX transmitter. (The Signal Strength Indicator on the Ovation H-605FC will show a 4 in front of the bars for 3 seconds while a connection is established.)

Product Pairing

If the Ovation H-605FC has already been paired with the W-DMX transmitter, the Signal Strength Indicator in the middle of the LCD screen will show the strength of the signal. In this case, the Ovation H-605FC is ready to work in Wireless mode. Pairing the Ovation H-605FC and a new W-DMX transmitter

1. From the Ovation H-605FC's control panel, go to **Wireless Setting**.
2. Select **Receive Reset**. The Signal Strength Indicator on the Ovation H-605FC will show a ? in front of the bars.
3. From the W-DMX transmitter, press **<RESET>** (the Signal Indicator on the transmitter will flash).
4. Once the transmitter has found the Ovation H-605FC, the Signal indicator on the W-DMX transmitter will illuminate solid.
5. The Signal Strength Indicator in the middle of the LCD screen on the Ovation H-605FC will show the strength of the signal.



W-DMX operation can be interrupted or inhibited by liquid masses between the transmitter and receiver such as water, snow, or people. For best results, keep the area between the transmitter and receiver clear of any liquid mass.

Virtual Color Wheel

The Ovation H-605FC includes a feature called the Virtual Color Wheel (VCW). This feature is available as a stand-alone control mode for manual use and also as a control channel in select DMX personalities. Over 30 pre-mixed colors, custom blended by our engineers, are available to call up for easier programming.

The DMX values used to mix these colors are provided below. You may adjust the overall intensity of the Ovation fixture in order to more closely replicate colors you are familiar with. A chart is available on our website

www.chauvetprofessional.com to compare our pre-mixed colors with popular gel colors. This chart is for comparison purposes only and is not a representation that our pre-mixed colors match any of the gel colors listed.

Color Chart

DMX Channel Value	Display Readout	Red Value	Green Value	Blue Value	Amber Value	Lime Value
000 ⇄ 005	--	000	000	000	000	000
006 ⇄ 013	C3050 - Md Yellow	233	163	020	123	255
014 ⇄ 021	C3040 - Lt Yellow	224	158	047	255	231
022 ⇄ 028	C3240 - Amb Yellow	180	060	000	245	255
029 ⇄ 035	C2340 - VLt Amber	245	107	081	255	213
036 ⇄ 043	C2040 - Lt Amber	230	130	062	255	155
044 ⇄ 051	C2050 - Md Amber	255	000	025	255	194
052 ⇄ 059	C2060 - Dk Amber	255	000	024	255	150
060 ⇄ 067	C1050 - Lt Red	255	037	027	030	038
068 ⇄ 075	C1080 - Md Red	255	004	017	000	000
076 ⇄ 083	C1020 - NC Pink	238	135	129	255	255
084 ⇄ 091	C1030 - Md Pink	255	131	120	255	195
092 ⇄ 099	C1630 - Dk Pink	250	165	123	255	210
100 ⇄ 107	C1250 - Md Red Amber	255	000	041	195	055
108 ⇄ 115	C1060 - Dk Red Amber	255	000	045	120	030
116 ⇄ 121	C1650 - Magenta	255	050	115	255	115
122 ⇄ 130	C6170 - Dk Magenta	255	035	117	000	000
131 ⇄ 138	C6020 - Lt Lavender	127	122	142	251	255
139 ⇄ 146	C5030 - Lt Blue	000	255	197	100	255
147 ⇄ 154	C5020 - VLt Blue	158	255	189	000	255
155 ⇄ 162	C5430 - Lt Blue 2	000	255	180	000	243
163 ⇄ 170	C5070 - Blue	043	255	210	043	036
171 ⇄ 178	C5050 - Md Blue	000	255	218	000	181
179 ⇄ 186	C5060 - Dk Blue	000	210	206	000	118
187 ⇄ 194	C5690 - Indigo	065	000	210	040	055
195 ⇄ 202	C5080 - VDk Blue	000	203	230	000	040
203 ⇄ 210	C5081 - VDk Blue 2	040	199	240	000	045
211 ⇄ 218	C4370 - Yel Green	027	255	028	016	104
219 ⇄ 226	C4070 - Green	049	255	055	120	090
227 ⇄ 234	C4550 - Turquoise	060	230	109	000	245
235 ⇄ 242	C4560 - Aqua	020	240	126	036	255
243 ⇄ 250	C4570 - Blue Green	000	255	079	030	053
251 ⇄ 255	--	000	000	000	000	000



Note: The colors above are simulated renditions of the color output produced as compared to other similar incandescent products. Chauvet makes no guarantee of the color output accuracy.

Color Temperature Chart

DMX Channel Value	Display Readout	Red Value	Green Value	Blue Value	Amber Value	Lime Value
000 ⇄ 005	--	000	000	000	000	000
006 ⇄ 025	2800K	255	199	107	253	255
026 ⇄ 050	3200K	253	247	129	255	255
051 ⇄ 075	3500K	234	255	141	253	255
076 ⇄ 100	4000K	204	255	156	243	255
101 ⇄ 125	4500K	181	248	166	224	255
126 ⇄ 150	5000K	160	255	180	241	255
151 ⇄ 175	5600K	138	255	191	241	255
176 ⇄ 200	6000K	147	255	193	203	255
201 ⇄ 225	6500K	142	251	197	187	255
226 ⇄ 255	--	000	000	000	000	000

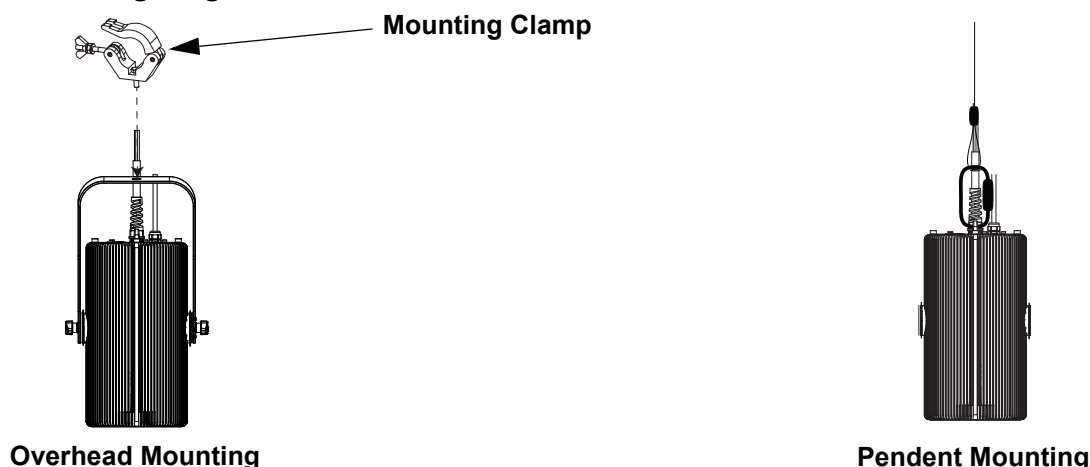


Note: The color temperatures above are simulated renditions of the color output produced as compared to a tungsten lamp at the specified color temperature. Chauvet makes no guarantee of the color output accuracy.

Mounting

Before mounting this product, read the [Safety Notes](#). Use at least one mounting point per product. Make sure the mounting clamps are capable of supporting the weight of the product. For our Chauvet line of mounting clamps, go to <http://trusst.com/productcategory/truss-clamps/>

Product Mounting Diagram



Control Panel Description

Button	Function
<MENU>	Exits from the current menu or function
<ENTER>	Enables the currently displayed menu or sets the currently selected value into the selected function
<UP>	Navigates upwards through the menu list or increases the numeric value when in a function
<DOWN>	Navigates downwards through the menu list or decreases the numeric value when in a function

Menu Map

Refer to the Ovation H-605FC product page on www.chauvetprofessional.com for the latest menu map.

Main Level	Programming Levels		Description
DMX Address	Address	001–510*	Selects starting address (*highest channel restricted to personality chosen)
DMX Channel	1CH	Virtual Color Wheel	1-channel: RGBAL, red shift, virtual color wheel, or color temperature
		Color Temperature	
		Manual Color Mixer	
		3CH	3-channel: dimmer, virtual color wheel, color temperature
		5CH	5-channel: RGBAL
		7CH	7-channel: RGBAL, dimmer, strobe
		10CH	10-channel: 16-bit dimmer, RGBAL, virtual color wheel, color temperature, strobe
		12CH	12-channel: RGBAL, dimmer, virtual color wheel, color temperature, strobe, auto program, auto speed, dimmer speed, red shift
		13CH	13-channel: 16-bit RGBAL and dimmer, strobe
		16CH	16-channel: 16-bit RGBAL and dimmer, virtual color wheel, color temperature, strobe, red shift
	HSV	3-channel: hue, saturation, value	

Main Level	Programming Levels		Description
VCW (Virtual Color Wheel)	Dimmer	000–255	Virtual Color Wheel simulates the output of each gel color. Refer to the Color Chart section for specific values.
		C3050 - Md Yellow	
		C3040 - Lt Yellow	
		C3240 - Amb Yellow	
		C2340 - VLt Amber	
		C2040 - Lt Amber	
		C2050 - Md Amber	
		C2060 - Dk Amber	
		C1050 - Lt Red	
		C1080 - Md Red	
		C1020 - NC Pink	
		C1030 - Md Pink	
		C1630 - Dk Pink	
		C1250 - Md Red Amber	
		C1060 - Dk Red Amber	
		C1650 - Magenta	
		C6170 - Dk Magenta	
		C6020 - Lt Lavender	
		C5030 - Lt Blue	
		C5020 - VLt Blue	
		C5430 - Lt Blue 2	
		C5070 - Blue	
		C5050 - Md Blue	
		C5060 - Dk Blue	
		C5690 - Indigo	
		C5080 - Vdk Blue	
		C5081 - Vdk Blue 2	
		C4370 - Yel Green	
		C4070 - Green	
		C4550 - Turquoise	
		C4560 - Aqua	
		C4570 - Blue Green	
		CCT (Color Temperature)	
3200K			
3500K			
4000K			
4500K			
5000K			
5600K			
6000K			
6500K			
MCM (Manual Color Mixer)	000–255	Red	Combine red, green, blue, amber, and lime to make a custom color (0–100%)
		Green	
		Blue	
		Amber	
		Lime	
Color X-Fade Speed	000–255	Off	Turns off the fade transition between colors
		X-Fade Speed 1	Creates fade transition between colors when using colors in the Virtual Color Wheel or Color Temperature chart, from fast (X-Fade Speed 1) to slow (X-Fade Speed 4)
		X-Fade Speed 2	
		X-Fade Speed 3	
		X-Fade Speed 4	

QUICK REFERENCE GUIDE



EN

Main Level	Programming Levels		Description
Auto Show	Auto 1		Selects automatic programs and auto program speed
	Auto 2		
	Auto 3		
	Auto 4		
	Auto 5		
Red Shift	On		Mimics halogen lamp dimming
	Off		
Master/Slave	Master		Master mode
	Slave		Slave mode
Dimmer Curve	Linear		Sets the dimmer curve
	Square		
	I Square		
	SCurve		
Dimmer Mode	Off		Linear dimmer
	Dimmer 1		Fast dimmer curve
	Dimmer 2		Medium dimmer curve
	Dimmer 3		Slow dimmer curve
White Balance	Manual	Off	Uses factory default white setting
		Red	Sets red LED maximum value
		Green	Sets green LED maximum value
		Blue	Sets blue LED maximum value
		Amber	Sets amber LED maximum value
		Lime	Sets lime LED maximum value
LED Frequency	600Hz		Selects the PWM output frequency
	1200Hz		
	2000Hz		
	4000Hz		
	6000Hz		
	25KHz		
Back Light	10S		Turns off display backlight after 10 sec of inactivity
	30S		Turns off display backlight after 30 sec of inactivity
	2 Min		Turns off display backlight after 2 minutes of inactivity
	Always On		Display backlight always on
Wireless Setting	Receive On/Off	On	Turns on the wireless setting
		Off	Turns wireless DMX function off
	Receive Reset	No	Resets and pairs the Ovation H-605FC with a wireless transmitter
		Yes	
Emergency Mode	On		Turns product on when DMX signal is lost
	Off		No action is taken when DMX signal is lost
Information	Fixture Hours	----H	Shows total hours the product has been powered on
	LED Hours	----H	Shows the total hours the LED lights have been on
	Version	V_._	Shows installed software version
	UID	-----	Shows product UID
Factory Setting	No		Reset to factory defaults
	Yes		

DMX Values

16Ch / 13Ch / 12Ch / 10Ch / 7Ch / 5Ch

5Ch	7Ch	10Ch	12Ch	13Ch	16Ch	Function	Value	Percent/Setting
-	1	1	1	1	1	Dimmer	000 ⇔ 255	0–100%
-	-	2	-	2	2	Dimmer Fine	000 ⇔ 255	0–100%
1	2	3	2	3	3	Red	000 ⇔ 255	0–100%
-	-	-	-	4	4	Red Fine	000 ⇔ 255	0–100%
2	3	4	3	5	5	Green	000 ⇔ 255	0–100%
-	-	-	-	6	6	Green Fine	000 ⇔ 255	0–100%
3	4	5	4	7	7	Blue	000 ⇔ 255	0–100%
-	-	-	-	8	8	Blue Fine	000 ⇔ 255	0–100%
4	5	6	5	9	9	Amber	000 ⇔ 255	0–100%
-	-	-	-	10	10	Amber Fine	000 ⇔ 255	0–100%
5	6	7	6	11	11	Lime	000 ⇔ 255	0–100%
-	-	-	-	12	12	Lime Fine	000 ⇔ 255	0–100%
-	7	8	7	13	13	Strobe	000 ⇔ 010 011 ⇔ 255	No function Strobe, slow to fast
-	-	9	8	-	14	Virtual Color Wheel	000 ⇔ 255	Refer to the Color Chart section for specific values
-	-	10	9	-	15	Color Temperature	000 ⇔ 255	Refer to the Color Temperature Chart section for specific values
-	-	-	10	-	-	Auto Programs	000 ⇔ 010 No function 011 ⇔ 060 Auto program 1 061 ⇔ 110 Auto program 2 111 ⇔ 160 Auto program 3 161 ⇔ 210 Auto program 4 211 ⇔ 255 Auto program 5	
-	-	-	11	-	-	Auto Speed	000 ⇔ 255	Auto speed, slow to fast
-	-	-	12	-	16	Control (hold for 3 seconds)	000 ⇔ 007 No function 008 ⇔ 015 Dimmer Reset 016 ⇔ 023 Red Shift On 024 ⇔ 031 Red Shift Off 032 ⇔ 039 Dimmer: S-Curve 040 ⇔ 047 Dimmer: Linear 048 ⇔ 055 Dimmer: Square 056 ⇔ 063 Dimmer: Inverse Square 064 ⇔ 071 Dimmer Mode: Off 072 ⇔ 079 Dimmer Mode 1 080 ⇔ 087 Dimmer Mode 2 088 ⇔ 095 Dimmer Mode 3 096 ⇔ 103 X-Fade Speed: OFF 104 ⇔ 111 X-Fade Speed: 1 (fastest) 112 ⇔ 119 X-Fade Speed: 2 120 ⇔ 127 X-Fade Speed: 3 128 ⇔ 135 X-Fade Speed: 4 (slowest) 136 ⇔ 255 Reserved for future use	

EN

3Ch / 1Ch

1Ch	3Ch	Function	Value	Percent/Setting
1	1	Dimmer	000 ⇔ 255	0–100%
–	2	Virtual Color Wheel	000 ⇔ 255	Refer to the Color Chart section for specific values
–	3	Color Temperature	000 ⇔ 255	Refer to the Color Temperature Chart section for specific values

HSV

Channel	Function	Value	Percent/Setting
1	Hue	000 ⇔ 255	0–100%
2	Saturation	000 ⇔ 255	0–100%
3	Value	000 ⇔ 255	0–100%

Acerca de Esta Guía

La Guía de Referencia Rápida (GRR) del Ovation H-605FC contiene información básica sobre el producto, como montaje, opciones de menú y valores DMX. Descargue el Manual de Usuario de www.chauvetprofessional.com para información más detallada.

Exención de Responsabilidad

La información y especificaciones contenidas en esta GRR están sujetas a cambio sin previo aviso.

GARANTÍA LIMITADA

PARA VER EL REGISTRO DE GARANTÍA Y LOS TÉRMINOS Y CONDICIONES COMPLETOS, VISITE NUESTRO SITIO WEB.

Para clientes en los Estados Unidos y México: www.chauvetlighting.com/warranty-registration.

Para clientes en Reino Unido, República de Irlanda, Bélgica, Países Bajos, Luxemburgo, Francia y Alemania: www.chauvetlighting.eu/warranty-registration.

Chauvet garantiza que este producto estará libre de defectos de material y mano de obra en condiciones de uso normales, durante el periodo especificado, sujeto siempre a las exclusiones y limitaciones establecidas en la garantía limitada completa de nuestro sitio web. Esta garantía se concede únicamente al comprador original del producto y no es transferible. Para ejercer los derechos que otorga esta garantía, usted debe proporcionar una prueba de compra en forma de un recibo de compra original, expedido por un distribuidor autorizado, donde figure el nombre del producto y la fecha de compra. **NO EXISTEN OTRAS GARANTÍAS EXPRESAS NI IMPLÍCITAS.** Esta garantía le otorga derechos legales específicos. Es posible que a usted le asistan otros derechos, que variarán dependiendo del estado o del país. Esta garantía solamente es válida en los Estados Unidos, Reino Unido, República de Irlanda, Bélgica, Países Bajos, Luxemburgo, Francia, Alemania y México. Para conocer los términos de garantía en otros países, consulte a su distribuidor local.

Notas de Seguridad

- NNO abra este producto. No contiene piezas reparables por el usuario.
- NO mire a la fuente de luz cuando el producto esté encendido.
- Para evitar un desgaste innecesario y alargar su vida útil, desconecte complemente el producto de la alimentación, mediante el interruptor o desenchufándolo, durante los periodos en los que no se use.
- Cuidado: cuando transfiera el producto desde ambientes con temperatura extrema (p. ej., del remolque frío de un camión a una sala de baile con calor y humedad), puede formarse condensación en la electrónica interna del producto. Para evitar que se produzca una avería, deje que el producto se aclimate completamente al ambiente antes de conectar la alimentación.
- ¡CUIDADO! La carcasa de este producto está caliente cuando las luces están en funcionamiento.
- Monte este producto en una ubicación con ventilación adecuada, al menos a 20" (50 cm) de superficies adyacentes.
- NO deje ningún material inflamable a menos de 50 cm de este producto mientras esté funcionando o conectado a la alimentación.
- USE un cable de seguridad cuando monte este producto en lo alto.
- NO ponga en funcionamiento este producto en el exterior o en cualquier ubicación en la que el polvo, calor excesivo, agua o humedad puedan afectarlo.
- NO ponga en funcionamiento este producto si sospecha que la carcasa, lentes o cables están dañados.
- NO conecte este producto a un atenuador o reostato.
- Conecte este producto SOLO a un circuito con toma de tierra y protegido.
- Use SOLAMENTE los soportes de colgar/montar o las asas para mover este producto.
- En caso de un problema grave de funcionamiento, deje de usarlo inmediatamente.
- La máxima temperatura ambiente es de 113 °F (45 °C). No haga funcionar este producto a temperaturas más altas.

Cumplimiento de la FCC

Este dispositivo cumple la parte 15, parte B de las normas FCC. El Funcionamiento está supeditado al cumplimiento de estas dos condiciones:

1. Este dispositivo no puede causar interferencias perjudiciales; y
2. Este dispositivo debe aceptar cualquier interferencia recibida, incluyendo las interferencias que puedan causar un funcionamiento no deseado.

Cualquier cambio o modificación que no haya sido expresamente autorizado por la parte responsable de conformidad puede anular la potestad del usuario para hacer funcionar el equipo.

Contacto

Fuera de EE.UU, Reino Unido, Irlanda, México o Benelux, póngase en contacto con su distribuidor para solicitar asistencia o devolver el producto. Visite [Contact Us](#) para información de contacto.

Qué va Incluido

- Ovation H-605FC
- Lentes de 65°, 45° y 25°
- 80° Filter
- Caja tipo huevera
- Guía de Referencia Rápida

Corriente Alterna

Este producto tiene una fuente de alimentación con detección automática que puede funcionar con un rango de tensión de entrada de 100 a 240 VCA, 50/60 Hz.

Enchufe CA

Conexión	Cable (EE.UU.)	Cable (Europa)	Color del tornillo
CA Cargado	Negro	Marrón	Amarillo/Latón
CA Neutro	Blanco	Azul	Plata
CA Tierra	Verde/Amarillo	Verde/Amarillo	Verde



Para evitar un desgaste innecesario y alargar su vida útil, desconecte completamente el producto de la alimentación, mediante el interruptor o desenchufándolo, durante los periodos en los que no se use.

Sustitución del Fusible

1. Desconecte el producto de la toma de corriente.
2. Con un destornillador de estrella N°2 desatornille la tapa del portafusibles.
3. Quite el fusible fundido del portafusibles y sustitúyalo con otro del mismo tipo y categoría.
4. Vuelva a atornillar la tapa del portafusibles en su sitio y conecte de nuevo la alimentación.

Enlace DMX

El Ovation H-605FC funcionará con un controlador DMX usando una conexión serie DMX normal. Hay un manual DMX disponible en www.chauvetprofessional.com.

Conexión DMX

El Ovation H-605FC usa una conexión de datos DMX normal para sus personalidades: **1Ch, 3Ch, 5Ch, 7Ch, 10Ch, 12Ch, 13Ch, 16Ch**, y **HSV**. Vea el Manual de Usuario para conectar y configurar para funcionamiento DMX.

Conexión Maestro/Esclavo

El Ovation H-605FC usa la conexión de datos DMX para su modo Maestro/Esclavo. Vea el Manual de Usuario para conectar y configurar para funcionamiento Maestro/Esclavo.

RDM (gestión remota del dispositivo)

Remote Device Management (gestión remota del dispositivo) o RDM, es un estándar que permite a los dispositivos con capacidad DMX una comunicación bidireccional por un cableado DMX existente. El Ovation H-605FC admite protocolo RDM, que posibilita información para supervisar cambiar las opciones del mapa de menú. Descargue el manual de usuario de www.chauvetprofessional.com para una información más detallada.

Funcionamiento inalámbrico

En condiciones óptimas, el Ovation H-605FC puede funcionar a una distancia de hasta 300 m (900 ft) del transmisor W-DMX. El receptor W-DMX del Ovation H-605FC tiene que estar emparejado con el transmisor W-DMX para el funcionamiento inalámbrico.

Configuración inicial

1. Encienda el transmisor W-DMX.
2. Conecte el transmisor W-DMX a un controlador DMX.
3. Sitúe el Ovation H-605FC a una distancia de hasta 300 m del transmisor W-DMX.
4. Desconecte cualquier cable DMX del Ovation H-605FC.
5. Encienda el Ovation H-605FC.

Configuración

1. Desde el panel de control del Ovation H-605FC vaya a **DMX Address**.
2. Seleccione la dirección de inicio, al igual que con cualquier otro producto compatible con DMX.
3. Vaya a **Wireless Setting > Receive On/Off**.
4. Seleccione **On**. (en el indicador de potencia de señal aparecerá una ? delante de las barras)
5. Pulse el botón de reinicio del transmisor W-DMX. (en el indicador de potencia de señal del Ovation H-605FC aparecerá \hookrightarrow delante de las barras durante 3 segundos mientras se establece la conexión.)

Emparejamiento de productos

Si el Ovation H-605FC ya se ha emparejado con el transmisor W-DMX, el indicador de potencia de señal en el medio de la pantalla LCD mostrará la potencia de la señal. En este caso, el Ovation H-605FC está listo para funcionar en modo inalámbrico.

1. Desde el panel de control del Ovation H-605FC's vaya a **Wireless Setting**.
2. Seleccione **Receive Reset**. En el indicador de potencia de señal del Ovation H-605FC aparecerá una ? delante de las barras.

3. Desde el transmisor W-DMX, pulse <RESET> (el indicador de señal del transmisor parpadeara).
4. Una vez que el transmisor haya encontrado el Ovation H-605FC, el indicador de señal del transmisor W-DMX se iluminará de forma constante.
5. El indicador de potencia de señal en el medio de la pantalla LCD del Ovation H-605FC mostrará la potencia de la señal.



Masas líquidas entre el transmisor y el receptor, como agua, nieve o personas, pueden interrumpir o impedir el funcionamiento por W-DMX™. Para mejores resultados, mantenga la zona entre el transmisor y el receptor sin ninguna masa líquida.

Rueda de Color Virtual (VCW)

El Ovation H-605FC incluye una función de rueda de color virtual llamada Virtual Color Wheel (VCW). Esta función está disponible como modo de control independiente para uso manual y también como canal de control en algunas personalidades DMX del dispositivo. Más de 30 colores premezclados, elaborados por nuestros ingenieros, están disponibles para facilitarle la programación.

Los valores DMX utilizados para mezclar estos colores se indican más abajo. Puede ajustar la intensidad general del dispositivo Ovation para reproducir más fielmente los colores a los que esté habituado. Hay un gráfico a su disposición en nuestro sitio web www.chauvetprofessional.com para comparar nuestros colores premezclados con los colores de gel más populares. Este gráfico sirve solamente para comparar y no implica que nuestros colores premezclados coincidan exactamente con los colores de gel listados.

Tabla de Colores

Valor del Canal DMX	Lectura en Pantalla	Valor Rojo	Valor Verde	Valor Azul	Valor Ámbar	Valor Lime
000 ⇔ 005	--	000	000	000	000	000
006 ⇔ 013	C3050 - Md Yellow	233	163	020	123	255
014 ⇔ 021	C3040 - Lt Yellow	224	158	047	255	231
022 ⇔ 028	C3240 - Amb Yellow	180	060	000	245	255
029 ⇔ 035	C2340 - VLt Amber	245	107	081	255	213
036 ⇔ 043	C2040 - Lt Amber	230	130	062	255	155
044 ⇔ 051	C2050 - Md Amber	255	000	025	255	194
052 ⇔ 059	C2060 - Dk Amber	255	000	024	255	150
060 ⇔ 067	C1050 - Lt Red	255	037	027	030	038
068 ⇔ 075	C1080 - Md Red	255	004	017	000	000
076 ⇔ 083	C1020 - NC Pink	238	135	129	255	255
084 ⇔ 091	C1030 - Md Pink	255	131	120	255	195
092 ⇔ 099	C1630 - Dk Pink	250	165	123	255	210
100 ⇔ 107	C1250 - Md Red Amber	255	000	041	195	055
108 ⇔ 115	C1060 - Dk Red Amber	255	000	045	120	030
116 ⇔ 121	C1650 - Magenta	255	050	115	255	115
122 ⇔ 130	C6170 - Dk Magenta	255	035	117	000	000
131 ⇔ 138	C6020 - Lt Lavender	127	122	142	251	255
139 ⇔ 146	C5030 - Lt Blue	000	255	197	100	255
147 ⇔ 154	C5020 - VLt Blue	158	255	189	000	255
155 ⇔ 162	C5430 - Lt Blue 2	000	255	180	000	243
163 ⇔ 170	C5070 - Blue	043	255	210	043	036
171 ⇔ 178	C5050 - Md Blue	000	255	218	000	181
179 ⇔ 186	C5060 - Dk Blue	000	210	206	000	118
187 ⇔ 194	C5690 - Indigo	065	000	210	040	055
195 ⇔ 202	C5080 - VDk Blue	000	203	230	000	040
203 ⇔ 210	C5081 - VDk Blue 2	040	199	240	000	045
211 ⇔ 218	C4370 - Yel Green	027	255	028	016	104
219 ⇔ 226	C4070 - Green	049	255	055	120	090
227 ⇔ 234	C4550 - Turquoise	060	230	109	000	245
235 ⇔ 242	C4560 - Aqua	020	240	126	036	255
243 ⇔ 250	C4570 - Blue Green	000	255	079	030	053
251 ⇔ 255	--	000	000	000	000	000



Nota: Los colores listados son interpretaciones simuladas de la emisión de color generada en comparación con otros productos incandescentes similares. Chauvet no garantiza la exactitud del color emitido.

Gráfico de temperaturas de color

Valor del Canal DMX	Lectura en Pantalla	Valor Rojo	Valor Verde	Valor Azul	Valor Ámbar	Valor Limón
000 ⇄ 005	--	000	000	000	000	000
006 ⇄ 025	2800K	255	199	107	253	255
026 ⇄ 050	3200K	253	247	129	255	255
051 ⇄ 075	3500K	234	255	141	253	255
076 ⇄ 100	4000K	204	255	156	243	255
101 ⇄ 125	4500K	181	248	166	224	255
126 ⇄ 150	5000K	160	255	180	241	255
151 ⇄ 175	5600K	138	255	191	241	255
176 ⇄ 200	6000K	147	255	193	203	255
201 ⇄ 225	6500K	142	251	197	187	255
226 ⇄ 255	--	000	000	000	000	000

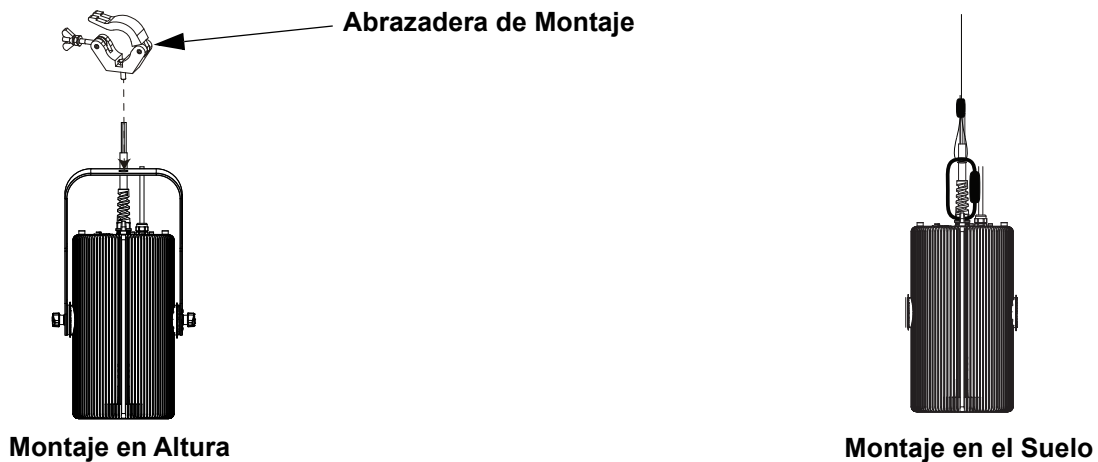


Nota: Las temperaturas de color que aparecen arriba son interpretaciones simuladas de la emisión de color producida cuando se compara con una lámpara de tungsteno a la temperatura de color especificada. Chauvet no garantiza la exactitud del color emitido.

Montaje

Antes de montar este producto, lea las [Notas de Seguridad](#). Asegúrese de que las abrazaderas de montaje son capaces de soportar el peso del producto. Para nuestra línea Chauvet de abrazaderas de montaje, visite <http://trusst.com/productcategory/truss-clamps/>

Diagrama de Montaje del Producto



Descripción del Panel de Control

Botón	Función
<MENU>	Sale del menú o función actual
<ENTER>	Habilita el menú actualmente en pantalla o configura el valor seleccionado actualmente dentro de la función seleccionada
<UP>	Navega hacia arriba por la lista de menú o aumenta el valor numérico cuando está en una función
<DOWN>	Navega hacia abajo por la lista de menú o disminuye el valor numérico cuando está en una función

Mapa de Menú

Consulte la página del producto Ovation H-605FC en www.chauvetprofessional.com para ver el último mapa de menú.

Nivel Principal	Niveles de Programación		Descripción
DMX Address	Address	001–510*	Selecciona la dirección de inicio (*canal más alto restringido a la elección de personalidad)
DMX Channel	1CH	Virtual Color Wheel	1-canales: RVAAL, cambio a rojo, VCW, o temperatura del color
		Color Temperature	
		Manual Color Mixer	
		3CH	3-canales: atenuador, VCW, temperature de color
		5CH	5-canales: control RVAAL
		7CH	7-canales: control RVAAL, atenuador, estroboscopio
		10CH	10-canales: control RVAAL, atenuador, fino atenuador, estroboscopio, VCW, temperatura de color
		12CH	12-canales: control RVAAL, atenuador, estroboscopio, VCW, temperatura de color, programas automática, velocidad automática, velocidad atenuador, cambio a rojo
		13CH	13-canales: 16-bit-control RVAAL, atenuador, estroboscopio
	16CH	16-canales: control RVAAL, 16-bit-control RVAAL, atenuador, fino atenuador, estroboscopio, VCW, temperatura de color, cambio a rojo	
	HSV	3-canales: matiz, saturacion, valor	

Nivel Principal	Niveles de Programación			Descripción						
VCW	VCW	C3050 - Md Yellow	Dimmer	000–255	Rueda de Color Virtual (VCW) simula la emisión de cada gel de color. Consulte la sección Tabla de Colores para ver los valores específicos.					
		C3040 - Lt Yellow								
		C3240 - Amb Yellow								
		C2340 - VLt Amber								
		C2040 - Lt Amber								
		C2050 - Md Amber								
		C2060 - Dk Amber								
		C1050 - Lt Red								
		C1080 - Md Red								
		C1020 - NC Pink								
		C1030 - Md Pink								
		C1630 - Dk Pink								
		C1250 - Md Red Amber								
		C1060 - Dk Red Amber								
		C1650 - Magenta								
		C6170 - Dk Magenta								
		C6020 - Lt Lavender								
		C5030 - Lt Blue								
		C5020 - VLt Blue								
		C5430 - Lt Blue 2								
		C5070 - Blue								
		C5050 - Md Blue								
		C5060 - Dk Blue								
		C5690 - Indigo								
		C5080 - Vdk Blue								
		C5081 - Vdk Blue 2								
		C4370 - Yel Green								
		C4070 - Green								
		C4550 - Turquoise								
		C4560 - Aqua								
		C4570 - Blue Green								
		VCW				CCT	2800K			Temperaturas de color blanco Emula una lámpara de tungsteno a la temperatura de color especificada. Consulte el apartado Gráfico de temperaturas de color para ver valores concretos
							3200K			
3500K										
4000K										
4500K										
VCW	CCT	5000K	Dimmer	000–255	Temperaturas de color blanco Emula una lámpara de tungsteno a la temperatura de color especificada. Consulte el apartado Gráfico de temperaturas de color para ver valores concretos					
		5600K								
		6000K								
		6500K								
VCW	MCM	Red			Combina rojo, verde, azul, ámbar y lime para generar un color personalizado (0–100%)					
		Green								
		Blue								
		Amber								
		Lime								
VCW	Color X-Fade Speed	Off			Desactiva la transición de desvanecimiento entre colores					
		X-Fade Speed 1			Crea una transición de desvanecimiento entre colores cuando se utilizan colores en la rueda de color virtual o en la tabla de temperatura de color, desde rápido (X-Fade Speed 1) hasta					
		X-Fade Speed 2			lento (X-Fade Speed 4)					
		X-Fade Speed 3								
		X-Fade Speed 4								

Nivel Principal	Niveles de Programación		Descripción	
Auto Show	Auto 1	1–100	Selecciona programas automáticos y velocidad de programas automáticos	
	Auto 2			
	Auto 3			
	Auto 4			
	Auto 5			
Red Shift	On		Imita la atenuación de una lámpara halógena	
	Off			
Master/Slave	Master		Modo maestro	
	Slave		Modo esclavo	
Dimmer Curve	Linear		Configura la curva del atenuador	
	Square			
	I Square			
	SCurve			
Dimmer Mode	Off		Atenuador lineal	
	Dimmer 1		Curva de atenuador rápida	
	Dimmer 2		Curva de atenuador media	
	Dimmer 3		Curva de atenuador lenta	
White Balance	Off	125–255	Utiliza la configuración de blanco predeterminada de fábrica	
	Manual		Red	Establece el valor máximo de LED rojo
			Green	Establece el valor máximo de LED verde
			Blue	Establece el valor máximo de LED azul
			Amber	Establece el valor máximo de LED ámbar
			Lime	Establece el valor máximo de LED lime
LED Frequency	600Hz		Selecciona la frecuencia de emisión PWM	
	1200Hz			
	2000Hz			
	4000Hz			
	6000Hz			
	25KHz			
Back Light	10S		Retro-iluminación de la pantalla se apaga después de 10 segundos de inactividad	
	30S		Retro-iluminación de la pantalla se apaga después de 30 segundos de inactividad	
	2 Min		Retro-iluminación de la pantalla se apaga después de 2 minutos de inactividad	
	Always On		Retro-iluminación de la pantalla siempre activa	
Wireless Setting	Receive On/Off	On	Reinicia la configuración inalámbrica	
		Off		
	Receive Reset	No	Apaga/enciende la función DMX inalámbrica	
Emergency Mode	On		Enciende el producto cuando se pierde la señal DMX	
	Off		No se emprende ninguna acción cuando se pierde la señal DMX	

ES

Nivel Principal	Niveles de Programación		Descripción
Information	Fixture Hours	----H	Muestra el nombre total de las horas del producto
	LED Hours	----H	Muestra el total de horas que las luces LED han estado encendidas
	Version	V._.	Muestra instalada la versión de software
	UID	-----	Muestra el ID del dispositivo
Factory Setting	No		Muestra actual UID #
	Yes		Reinicia a la configuración de fábrica

Valores DMX
16Ch / 13Ch / 12Ch / 10Ch / 7Ch / 5Ch

5Ch	7Ch	10Ch	12Ch	13Ch	16Ch	Función	Valor	Porcentaje/Configuración
-	1	1	1	1	1	Atenuador	000 ⇔ 255	0-100%
-	-	2	-	2	2	Atenuador fino	000 ⇔ 255	0-100%
1	2	3	2	3	3	Rojo	000 ⇔ 255	0-100%
-	-	-	-	4	4	Rojo fino	000 ⇔ 255	0-100%
2	3	4	3	5	5	Verde	000 ⇔ 255	0-100%
-	-	-	-	6	6	Verde fino	000 ⇔ 255	0-100%
3	4	5	4	7	7	Azul real	000 ⇔ 255	0-100%
-	-	-	-	8	8	Azul real fino	000 ⇔ 255	0-100%
4	5	6	5	9	9	Ámbar	000 ⇔ 255	0-100%
-	-	-	-	10	10	Ámbar fino	000 ⇔ 255	0-100%
5	6	7	6	11	11	Verde menta	000 ⇔ 255	0-100%
-	-	-	-	12	12	Verde menta fino	000 ⇔ 255	0-100%
-	7	8	7	13	13	Estroboscopio	000 ⇔ 010 011 ⇔ 255	Sin función Estroboscopio, lento a rápido
-	-	9	8	-	14	Rueda de color virtual	000 ⇔ 255	Consulte la sección Tabla de Colores para ver los valores específicos.
-	-	10	9	-	15	Temperatura del color	000 ⇔ 255	Consulte el apartado Gráfico de temperaturas de color para ver valores concretos
-	-	-	10	-	-	Programas automática	000 ⇔ 010 011 ⇔ 060 061 ⇔ 110 111 ⇔ 160 161 ⇔ 210 211 ⇔ 255	Sin función Auto programas 1 Auto programas 2 Auto programas 3 Auto programas 4 Auto programas 5
-	-	-	11	-	-	Velocidad automática	000 ⇔ 255	0-100%
-	-	-	12	-	16	Control (mantenga para 3 segundos)	000 ⇔ 007 008 ⇔ 015 016 ⇔ 023 024 ⇔ 031 032 ⇔ 039 040 ⇔ 047 048 ⇔ 055 056 ⇔ 063 064 ⇔ 071 072 ⇔ 079 080 ⇔ 087 088 ⇔ 095 096 ⇔ 103 104 ⇔ 111 112 ⇔ 119 120 ⇔ 127 128 ⇔ 135 136 ⇔ 255	Sin función Restablecer atenuador Cambio a rojo encendido Cambio a rojo apagado Curva de atenuador curva-S Curva de atenuador lineal Curva de atenuador cuadrado Curva de atenuador cuadrado inversa Modo de atenuador: apagado Modo de atenuador 1 Modo de atenuador 2 Modo de atenuador 3 Velocidad X-Fade: desactiva Velocidad X-Fade 1 (más rápida) Velocidad X-Fade 2 Velocidad X-Fade 3 Velocidad X-Fade 4 (más lenta) Reservado para utilización futura

ES

3Ch / 1Ch

1Ch	3Ch	Función	Valor	Porcentaje/Configuración
1	1	Atenuador	000 ⇔ 255	0–100%
–	2	Rueda de Color Virtual (VCW)	000 ⇔ 255	Consulte la sección Tabla de Colores para ver los valores específicos.
–	3	Temperatura de Color	000 ⇔ 255	Consulte el apartado Gráfico de temperaturas de color para ver valores concretos

HSV

Canal	Función	Valor	Porcentaje/Configuración
1	Cambio a rojo	000 ⇔ 255	0–100%
2	Saturación	000 ⇔ 255	0–100%
3	Valor	000 ⇔ 255	0–100%

À Propos de ce Manuel

Le Manuel de Référence du Ovation H-605FC (MR) reprend des informations de base sur cet appareil notamment en matière de connexions, montage, options de menu et valeurs DMX. Télécharger le Manuel d'Utilisation sur www.chauvetprofessional.com pour de plus amples informations.

Clause de Non-Responsabilité

Les informations et caractéristiques contenues dans ce manuel sont sujettes à changement sans préavis.

GARANTIE LIMITÉE

VEUILLEZ VISITER NOTRE SITE INTERNET POUR CONSULTER LES MODALITÉS D'ENREGISTREMENT DE LA GARANTIE ET LES CONDITIONS GÉNÉRALES COMPLÈTES.

Pour les clients aux États-Unis et au Mexique: www.chauvetlighting.com/warranty-registration.

Pour les clients du Royaume-Uni, de la République d'Irlande, de la Belgique, des Pays-Bas, du Luxembourg, de la France et de l'Allemagne: www.chauvetlighting.eu/warranty-registration.

Chauvet garantit que cet appareil est exempt de défauts de matériaux et de fabrication dans des conditions normales d'utilisation, pendant la période spécifiée dans la garantie limitée complète consultable sur notre site Internet et sous réserve des exclusions et limitations qui y sont énoncées. Cette garantie ne s'applique qu'à l'acheteur initial du produit et n'est pas transférable. Pour exercer les droits prévus par cette garantie, vous devez fournir une preuve d'achat sous la forme d'un reçu de vente original d'un revendeur autorisé qui indique le nom du produit et la date d'achat. **IL N'EXISTE AUCUNE AUTRE GARANTIE EXPRESSE OU IMPLICITE.** Cette garantie vous confère des droits légaux spécifiques. Vous pouvez également bénéficier d'autres droits qui varient selon les états et les pays. Cette garantie n'est valable qu'aux États-Unis, au Royaume-Uni, en République d'Irlande, en Belgique, aux Pays-Bas, au Luxembourg, en France, en Allemagne et au Mexique. Pour connaître les conditions de garantie dans d'autres pays, veuillez consulter votre revendeur local.

Consignes de Sécurité

- N'ouvrez PAS ce produit. Il ne contient aucun composant susceptible d'être réparé par l'utilisateur.
- Ne regardez PAS la source lumineuse lorsque le produit fonctionne.
- Durant les périodes de non-utilisation, pour éviter toute usure inutile et pour prolonger la durée de vie, déconnectez entièrement l'appareil en le débranchant de l'alimentation électrique ou en coupant le disjoncteur.
- **ATTENTION:** Lorsque l'appareil est transféré d'un environnement à température extrême à un autre (par exemple d'un camion froid vers une salle de bal chaude et humide), de la condensation peut se former sur les composants électriques internes. Pour éviter de causer des dommages, laissez l'appareil s'acclimater entièrement au milieu environnant avant de le mettre sous tension.
- **ATTENTION:** le boîtier de ce produit est brûlant lors du fonctionnement.
- Montez toujours ce produit dans un endroit bien ventilé, à au moins, 20 pouces (50 cm) des surfaces adjacentes.
- Ne laissez AUCUNE source inflammable dans un rayon de 50 cm du produit lorsque celui-ci fonctionne.
- Utilisez TOUJOURS un câble de sécurité lorsque vous montez ce produit en hauteur.
- N'utilisez PAS ce produit en extérieur ou tout autre endroit où de la poussière, une chaleur excessive, de l'eau ou de l'humidité pour en affecter le fonctionnement.
- N'utilisez PAS ce produit si le boîtier, les lentilles ou les câbles vous semblent endommagés.
- Ne connectez PAS ce produit ni à un gradateur ni à un rhéostat.
- Connectez UNIQUEMENT ce produit à un circuit protégé et relié à la terre.
- Transportez/Suspendez ce produit UNIQUEMENT au moyen de la poignée ou lyre de suspension dont il est doté.
- En cas de sérieux problèmes de fonctionnement, arrêtez le système immédiatement.
- La température ambiante maximale supportée par ce produit est de 113 °F (45 °C). Ne le faites pas fonctionner à des températures plus élevées.

Conformité FCC

Cet appareil est conforme à la partie 15, sous-partie B du règlement de la FCC. L'utilisation est soumise aux deux conditions suivantes:

1. Cet appareil ne doit pas causer d'interférences nuisibles, et
2. Cet appareil doit accepter toutes les interférences reçues, y compris celles pouvant entraîner un fonctionnement indésirable.

Tout changement ou modification non expressément approuvé par l'autorité responsable de la conformité pourrait annuler le droit de l'utilisateur à utiliser l'équipement.

Contact

En dehors des États-Unis, du Royaume-Uni, de l'Irlande, du Mexique, et du Benelux, contactez votre fournisseur si vous avez besoin d'assistance ou de retourner votre appareil. Consultez le site [Contact Us](#) pour trouver nos coordonnées.

Ce Qui est Inclus

- Ovation H-605FC
- Lentilles 65°, 45° et 25°
- 80° Filter
- Coussin alvéolé
- Manuel de Référence

Alimentation CA

Cet appareil est doté d'une alimentation universelle prenant en charge toute tension d'entrée comprise entre 100 et 240 VCA, 50/60 Hz.

Prise CA

Connexion	Câble (États-Unis)	Câble (Europe)	Couleur de la vis
Conducteur CA	Noir	Marron	Jaune/Cuivré
Neutre CA	Blanc	Bleu	Argenté
Terre CA	Vert/Jaune	Vert/Jaune	Vert



Durant les périodes de non-utilisation, pour éviter toute usure inutile et pour prolonger la durée de vie, déconnectez-entièrement l'appareil en le débranchant de l'alimentation électrique ou en coupant le disjoncteur.

Remplacement du Fusible

1. Débranchez l'appareil de la prise.
2. À l'aide d'un tournevis Philips à tête n° 2, dévissez le couvercle du porte-fusible.
3. Remplacez le fusible obsolète par un fusible neuf équivalent
4. Revissez le couvercle du porte-fusible et rebranchez l'unité.

Raccordement DMX

Le Ovation H-605FC fonctionnera avec un jeu d'orgues DMX au moyen de connexions DMX en série standard. Une introduction au DMX est à votre disposition sur www.chauvetprofessional.com.

Connexion DMX

Le Ovation H-605FC utilise une connexion de données DMX standard pour ses personnalités DMX: **1Ch, 3Ch, 5Ch, 7Ch, 10Ch, 12Ch, 13Ch, 16Ch**, et **HSV**. Consultez le Manuel d'Utilisation pour connecter et configurer le système DMX.

Connexion Maître/ Esclave

Le Ovation H-605FC utilise une connexion de données DMX pour son mode Maître/Esclave. Consultez le Manuel d'Utilisation pour connecter et configurer le mode de fonctionnement Maître/Esclave.

RDM (Gestion des périphériques à distance)

Le protocole RDM (gestion des périphériques à distance) est un standard pour la communication bidirectionnelle des appareils dotés de fonctions DMX dans un câblage DMX existant. Le Ovation H-605FC supporte le protocole RDM permettant un retour d'information pour la surveillance et des changements des options de menu. Veuillez télécharger le manuel de l'utilisateur à partir du site internet www.chauvetprofessional.com pour plus de détails.

Fonctionnement sans fil

In optimal conditions, the Ovation H-605FC can operate up to 300 m (900 ft) away from the W-DMX transmitter. The W-DMX receiver in the Ovation H-605FC must be paired with the W-DMX transmitter for wireless operation.

Configuration initiale

1. Allumez l'émetteur W-DMX.
2. Connectez l'émetteur W-DMX au contrôleur DMX.
3. Placez le Ovation H-605FC à moins de 300 m de l'émetteur W-DMX.
4. Débranchez tous les câbles DMX branchés sur le Ovation H-605FC.
5. Allumez le Ovation H-605FC.

Configuration

1. A partir du panneau de commande du Ovation H-605FC allez sur le menu **DMX Address**.
2. Sélectionnez l'adresse de départ comme avec tout autre appareil compatible DMX.
3. Allez sur le menu **Wireless Setting > Receive On/Off**.
4. Sélectionnez **On**. (L'indicateur d'intensité du signal affiche un ? devant les barres.)
5. Appuyez sur le bouton de réinitialisation de l'émetteur W-DMX. (L'indicateur d'intensité du signal du Ovation H-605FC affiche un sigle **⚡** devant les barres pendant 3 secondes pendant l'établissement de la connexion.)

Appairage de l'appareil

Si le Ovation H-605FC a déjà été appairé avec l'émetteur W-DMX, l'indicateur d'intensité du signal situé au milieu de l'écran LCD affiche la force du signal. Dans ce cas, le Ovation H-605FC est prêt à fonctionner en mode sans fil.

1. A partir du panneau de commande du Ovation H-605FC, allez au menu **Wireless Setting**.
2. Sélectionnez **Receive Reset**. L'indicateur d'intensité du signal du Ovation H-605FC affiche un ? devant les barres.
3. Sur l'émetteur W-DMX, appuyez sur **<RESET>** (l'indicateur de signal de l'émetteur clignote).
4. Lorsque l'émetteur a trouvé le Ovation H-605FC, l'indicateur de signal de l'émetteur W-DMX reste allumé.
5. L'indicateur d'intensité du signal situé au milieu de l'écran LCD sur le Ovation H-605FC affiche alors la force du signal.



Le fonctionnement W-DMX peut être interrompu ou inhibé par des masses de liquides entre l'émetteur et le récepteur, comme par exemple de l'eau, de la neige ou des personnes. Pour de meilleurs résultats, assurez-vous que la zone située entre l'émetteur et le récepteur soit exempte de toute masse liquide.

Roue de Couleurs Virtuelles (VCW)

Le Ovation H-605FC dispose d'une fonction appelée Roue de Couleur Virtuelle (VCW - Virtual Color Wheel). Cette fonction est disponible en mode de contrôle autonome pour une utilisation manuelle mais également en tant que canal de contrôle dans certaines personnalités DMX. Plus de 30 couleurs pré-mélangées, personnalisées par nos ingénieurs, sont disponibles pour faciliter la programmation.

Les valeurs DMX utilisées pour mélanger ces couleurs sont indiquées ci-dessous. Vous pouvez ajuster l'intensité globale du Ovation afin de reproduire plus fidèlement les couleurs que vous avez l'habitude d'utiliser. Un graphique est disponible sur notre site Web à l'adresse www.chauvetprofessional.com pour comparer nos couleurs pré-mélangées avec des couleurs de gel populaires. Ce tableau est fourni uniquement à des fins de comparaison et ne certifie pas que nos couleurs pré-mélangées correspondent aux couleurs de gel énumérées.

Gamme de Couleurs

Valeurs des Canaux DMX	Affichage à l'Écran	Valeur Rouge	Valeur Vert	Valeur Bleu	Valeur Ambre	Valeur Lime
000 ⇔ 005	---	000	000	000	000	000
006 ⇔ 013	C3050 - Md Yellow	233	163	020	123	255
014 ⇔ 021	C3040 - Lt Yellow	224	158	047	255	231
022 ⇔ 028	C3240 - Amb Yellow	180	060	000	245	255
029 ⇔ 035	C2340 - VLt Amber	245	107	081	255	213
036 ⇔ 043	C2040 - Lt Amber	230	130	062	255	155
044 ⇔ 051	C2050 - Md Amber	255	000	025	255	194
052 ⇔ 059	C2060 - Dk Amber	255	000	024	255	150
060 ⇔ 067	C1050 - Lt Red	255	037	027	030	038
068 ⇔ 075	C1080 - Md Red	255	004	017	000	000
076 ⇔ 083	C1020 - NC Pink	238	135	129	255	255
084 ⇔ 091	C1030 - Md Pink	255	131	120	255	195
092 ⇔ 099	C1630 - Dk Pink	250	165	123	255	210
100 ⇔ 107	C1250 - Md Red Amber	255	000	041	195	055
108 ⇔ 115	C1060 - Dk Red Amber	255	000	045	120	030
116 ⇔ 121	C1650 - Magenta	255	050	115	255	115
122 ⇔ 130	C6170 - Dk Magenta	255	035	117	000	000
131 ⇔ 138	C6020 - Lt Lavender	127	122	142	251	255
139 ⇔ 146	C5030 - Lt Blue	000	255	197	100	255
147 ⇔ 154	C5020 - VLt Blue	158	255	189	000	255
155 ⇔ 162	C5430 - Lt Blue 2	000	255	180	000	243
163 ⇔ 170	C5070 - Blue	043	255	210	043	036
171 ⇔ 178	C5050 - Md Blue	000	255	218	000	181
179 ⇔ 186	C5060 - Dk Blue	000	210	206	000	118
187 ⇔ 194	C5690 - Indigo	065	000	210	040	055
195 ⇔ 202	C5080 - VDk Blue	000	203	230	000	040
203 ⇔ 210	C5081 - VDk Blue 2	040	199	240	000	045
211 ⇔ 218	C4370 - Yel Green	027	255	028	016	104
219 ⇔ 226	C4070 - Green	049	255	055	120	090
227 ⇔ 234	C4550 - Turquoise	060	230	109	000	245
235 ⇔ 242	C4560 - Aqua	020	240	126	036	255
243 ⇔ 250	C4570 - Blue Green	000	255	079	030	053
251 ⇔ 255	--	000	000	000	000	000



Remarque: Les couleurs ci-dessus sont des rendus simulés de couleurs produits sur base des couleurs émises par les appareils à incandescence. Chauvet ne peut garantir l'exactitude du rendu d'une couleur.

Gamme des températures de couleur

Valeurs des Canaux DMX	Affichage à l'Écran	Valeur Rouge	Valeur Vert	Valeur Bleu	Valeur Ambre	Valeur Lime
000 ⇔ 005	--	000	000	000	000	000
006 ⇔ 025	2800K	185	160	90	248	180
026 ⇔ 050	3200K	190	180	102	148	180
051 ⇔ 075	3500K	200	194	111	249	180
076 ⇔ 100	4000K	195	204	122	249	180
101 ⇔ 125	4500K	195	212	132	249	187
126 ⇔ 150	5000K	195	219	140	249	187
151 ⇔ 175	5600K	200	229	148	251	181
176 ⇔ 200	6000K	181	230	152	252	182
201 ⇔ 225	6500K	180	233	157	252	182
226 ⇔ 255	--	000	000	000	000	000

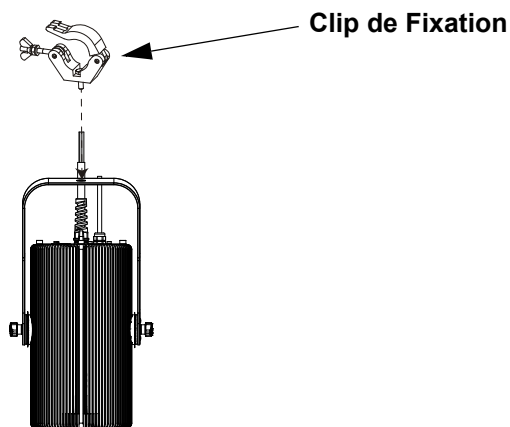


Remarque: Les températures de couleur ci-dessus sont des rendus simulés de la sortie de couleur effectivement générée par comparaison avec une lampe tungstène à la température de couleur spécifiée. Chauvet ne donne aucune garantie sur la précision de la sortie de couleur.

Installation

Avant de monter cet appareil, lisez et assimilez les [Consignes de Sécurité](#). Veillez à ce que les fixations sont capables de supporter le poids de l'unité. Découvrez notre gamme de fixations Chauvet sur <http://trusst.com/productcategory/truss-clamps/>

Schéma de Montage de l'Appareil



Montage en Hauteur



Montage au Sol

Description du Tableau de Commandes

Bouton	Fonction
<MENU>	Permet la sortie du menu ou de la fonction en cours
<ENTER>	Permet l'affichage du menu en cours ou permet de configurer la valeur en cours dans la fonction sélectionnée
<UP>	Permet de parcourir les listes ou les menus vers le haut, dans une fonction permet d'augmenter les valeurs numériques
<DOWN>	Permet de parcourir les listes ou les menus vers le bas, dans une fonction permet de diminuer les valeurs numériques

Tableau de Menu

Reportez-vous à la page du produit Ovation H-605FC sur www.chauvetprofessional.com pour la dernière carte des menu.

Niveau Principal	Niveaux de Programmation		Description	
DMX Address	Address		001–510*	
DMX Channel	1CH	Virtual Color Wheel	1- canaux: RVBAL, teinte, VCW, température de la couleur	
		Color Temperature		
		Manual Color Mixer		
	3CH			3- canaux: gradateur, VCW, température de la couleur
	5CH			5- canaux: RVBAL control
	7CH			7- canaux: RVBAL control, gradateur, stroboscope
	10CH			10- canaux: RVBAL control, gradateur, gradateur fin, stroboscope, VCW, température de la couleur
	12CH			12- canaux: RVBAL, gradateur, stroboscope, macro de couleurs, effet d'anneau, vitesse gradateur, vitesse auto, VCW, passe a rouge
	13CH			13- canaux: 16-bit RVBAL control, gradateur, gradateur fin, stroboscope
16CH			16- canaux: RVBAL control, gradateur, gradateur fin, stroboscope, VCW, température de la couleur, passe a rouge	
HSV			3- canaux: teinte, saturation, valeur	

Niveau Principal	Niveaux de Programmation			Description		
VCW	VCW	C3050 - Md Yellow C3040 - Lt Yellow C3240 - Amb Yellow C2340 - VLt Amber C2040 - Lt Amber C2050 - Md Amber C2060 - Dk Amber C1050 - Lt Red C1080 - Md Red C1020 - NC Pink C1030 - Md Pink C1630 - Dk Pink C1250 - Md Red Amber C1060 - Dk Red Amber C1650 - Magenta C6170 - Dk Magenta C6020 - Lt Lavender C5030 - Lt Blue C5020 - VLt Blue C5430 - Lt Blue 2 C5070 - Blue C5050 - Md Blue C5060 - Dk Blue C5690 - Indigo C5080 - VDk Blue C5081 - VDk Blue 2 C4370 - Yel Green C4070 - Green C4550 - Turquoise C4560 - Aqua C4570 - Blue Green	Dimmer	000–255	Roue de Couleurs Virtuelles (VCW) simule le rendu des gélamines de couleur. Consultez la section Gamme de Couleurs pour en connaître les valeurs spécifiques.	
		CCT	2800K 3200K 3500K 4000K 4500K 5000K 5600K 6000K 6500K	Dimmer	000–255	Températures de couleur de blanc prédéfinies. Simule une lampe tungstène à la température de couleur spécifiée. Référez vous à la section Gamme des températures de couleur pour les valeurs spécifiques.
		MCM	Red Green Blue Amber Lime			Combine les couleurs rouge, vert, bleu, ambre et lime pour un résultat personnalisé (0–100%)
		Color X-Fade Speed	Off			Désactive la transition en fondu entre les couleurs
			X-Fade Speed 1			Crée une transition en fondu entre les couleurs lors de l'utilisation de couleurs dans le Virtual Color Wheel ou le tableau de température de couleur, de rapide (X-Fade Speed 1) à lent (X-Fade Speed 4)
			X-Fade Speed 2			
			X-Fade Speed 3			
		X-Fade Speed 4				

Niveau Principal	Niveaux de Programmation			Description
Auto Show	Auto 1	1-100		Sélectionne les programmes automatiques et vitesse auto
	Auto 2			
	Auto 3			
	Auto 4			
	Auto 5			
Red Shift	On			Imite la gradation des lampes halogènes
	Off			
Master/Slave	Master			Reçoit les signaux DMX du contrôleur DMX
	Slave			Reçoit les signaux DMX du maître
Dimmer Curve	Linear			Définir la courbe de gradation
	Square			
	I Square			
	SCurve			
	Off			
Dimmer Mode	Dimmer 1			Courbes de gradation rapide (Dimmer1) à lent (Dimmer3) ou pas de gradateur (Off)
	Dimmer 2			
	Dimmer 3			
	Off			
White Balance	Off			Utilise le paramétrage de blanc défini en usine
	Manual	Red	125-255	Définit la valeur maximale de LED rouge
		Green		Définit la valeur maximale de LED verte
		Blue		Définit la valeur maximale de LED bleue
		Amber		Définit la valeur maximale de LED ambre
		Lime		Définit la valeur maximale de LED lime
LED Frequency	600Hz			Permet de sélectionner la fréquence de sortie MLI
	1200Hz			
	2000Hz			
	4000Hz			
	6000Hz			
	25KHz			
Back Light	10S			Désactive l'affichage rétro-éclairage après 10 secondes d'inactivité
	30S			Désactive l'affichage rétro-éclairage après 30 secondes d'inactivité
	2 Min			Désactive l'affichage rétro-éclairage après 2 minutes d'inactivité
	Always On			Affichage retro-eclairage toujours active
Wireless Setting	Receive On/Off	On	Permet d'activer/désactiver la fonction DMX sans fil.	
		Off		
	Receive Reset	No	Permet de réinitialiser le paramétrage sans fil.	
		Yes		
Emergency Mode	On			Aucune action n'est déclenchée lors de la perte du signal DMX.
	Off			Allume l'appareil lors de la perte du signal DMX.

Niveau Principal	Niveaux de Programmation		Description
Information	Fixture Hours	_ _ _ _ H	Affiche le nombre total des heures du produit
	LED Hours	_ _ _ _ H	Affiche le nombre total d'heures pendant lesquelles les lumières LED ont été allumées
	Version	V _ . _	Affiche la version du logiciel installée
	UID	_ _ _ _ _ _ _ _ _ _	Affiche UID actuel #
Factory Setting	No		Permet de réinitialiser aux valeurs par défaut d'usine
	Yes		

Valeurs DMX

16Ch / 13Ch / 12Ch / 10Ch / 7Ch / 5Ch

5Ch	7Ch	10Ch	12Ch	13Ch	16Ch	Fonction	Valeur	Pourcentage/Configuration
-	1	1	1	1	1	Gradateur	000 ⇔ 255	0–100%
-	-	2	-	2	2	Gradateur fin	000 ⇔ 255	0–100%
1	2	3	2	3	3	Rouge	000 ⇔ 255	0–100%
-	-	-	-	4	4	Rouge fin	000 ⇔ 255	0–100%
2	3	4	3	5	5	Vert	000 ⇔ 255	0–100%
-	-	-	-	6	6	Vert fin	000 ⇔ 255	0–100%
3	4	5	4	7	7	Bleu	000 ⇔ 255	0–100%
-	-	-	-	8	8	Bleu fin	000 ⇔ 255	0–100%
4	5	6	5	9	9	Ambre	000 ⇔ 255	0–100%
-	-	-	-	10	10	Ambre fin	000 ⇔ 255	0–100%
5	6	7	6	11	11	Menthe verte	000 ⇔ 255	0–100%
-	-	-	-	12	12	Menthe verte fin	000 ⇔ 255	0–100%
-	7	8	7	13	13	Stroboscope	000 ⇔ 010 011 ⇔ 255	Pas de fonction Stroboscope, lent à rapide
-	-	9	8	-	14	Roue de Couleurs Virtuelles	000 ⇔ 255	Consultez la section Roue de Couleurs Virtuelles (VCW) pour en connaître les valeurs spécifiques
-	-	10	9	-	15	Température de la Couleur	000 ⇔ 255	Consultez la section Gamme des températures de couleur pour les valeurs spécifiques
-	-	-	10	-	-	Programmes automatiques	000 ⇔ 010 No fonction 011 ⇔ 060 Auto programmes 1 061 ⇔ 110 Auto programmes 2 111 ⇔ 160 Auto programmes 3 161 ⇔ 210 Auto programmes 4 211 ⇔ 255 Auto programmes 5	
-	-	-	11	-	-	Vitesse auto	000 ⇔ 255	0–100%
-	-	-	12	-	16	Contrôle (maintenez pendant 3 seconde)	000 ⇔ 007 Pas de fonction 008 ⇔ 015 Réinitialisation du gradateur 016 ⇔ 023 Passe a rouge activé 024 ⇔ 031 Passe a rouge désactivé 032 ⇔ 039 Courbe de gradateur S-curve 040 ⇔ 047 Courbe de gradation linéaire 048 ⇔ 055 Courbe de gradation carrée 056 ⇔ 063 Courbe de gradateur carrée inverse 064 ⇔ 071 Mode gradateur: désactivé 072 ⇔ 079 Mode gradateur 1 080 ⇔ 087 Mode gradateur 2 088 ⇔ 095 Mode gradateur 3 096 ⇔ 103 Vitesse du fondu en X désactive 104 ⇔ 111 Vitesse du fondu en X 1 (le plus rapide) 112 ⇔ 119 Vitesse du fondu en X 2 120 ⇔ 127 Vitesse du fondu en X 3 128 ⇔ 135 Vitesse du fondu en X 4 (le plus lent) 136 ⇔ 255 Réservé pour une utilisation future	

FR

3Ch / 1Ch

1Ch	3Ch	Fonction	Valeur	Pourcentage/Configuration
1	1	Gradateur	000 ⇔ 255	0–100%
–	2	Roue de Couleurs Virtuelles	000 ⇔ 255	Consultez la section Roue de Couleurs Virtuelles (VCW) pour en connaître les valeurs spécifiques
–	3	Température de la Couleur	000 ⇔ 255	Consultez la section Gamme des températures de couleur pour les valeurs spécifiques

HSV

Canal	Fonction	Valeur	Pourcentage/Configuration
1	Teinte	000 ⇔ 255	0–100%
2	Saturation	000 ⇔ 255	0–100%
3	Valeur	000 ⇔ 255	0–100%

Über diese Schnellanleitung

In der Schnellanleitung des Ovation H-605FC finden Sie die wesentlichen Produktinformationen, wie etwa über den Anschluss, die Montage, Menüoptionen und DMX-Werte des Geräts. Laden Sie für weiterführende Informationen unter www.chauvetprofessional.com das Benutzerhandbuch herunter.

Haftungsausschluss

Die in dieser Anleitung aufgeführten Informationen und Spezifikationen können ohne vorherige Ankündigung geändert werden.

EINGESCHRÄNKTE GARANTIE

ZUR REGISTRIERUNG FÜR GARANTIEANSPRÜCHE UND ZUR EINSICHT IN DIE VOLLSTÄNDIGEN GESCHÄFTSBEDINGUNGEN BESUCHEN SIE BITTE UNSERE WEBSITE.

Für Kunden in den USA und in Mexiko: www.chauvetlighting.com/warranty-registration.

Für Kunden im Vereinigten Königreich, in Irland, Belgien, den Niederlanden, Luxemburg, Frankreich und Deutschland: www.chauvetlighting.eu/warranty-registration.

Chauvet garantiert für die in der auf unserer Website veröffentlichten vollständigen eingeschränkten Garantie genannten Dauer und unter Vorbehalt der darin genannten Haftungsausschlüsse und -beschränkungen, dass dieses Produkt bei normalen Gebrauch frei von Material- und Verarbeitungsfehlern ist. Diese Garantie erstreckt sich nur auf den Erstkäufer des Produkts und ist nicht übertragbar. Zur Ausübung der unter dieser Garantie gewährten Rechte ist der Kaufbeleg in Form der Originalrechnung von einem autorisierten Händler vorzulegen, in der die Produktbezeichnung und das Kaufdatum vermerkt sein müssen. ES BESTEHEN KEINE WEITEREN AUSDRÜCKLICHEN ODER STILLSCHWEIGENDEN GARANTIEEN. Diese Garantie gibt Ihnen besondere gesetzliche Rechte. Und Sie haben möglicherweise weitere Rechte, die von Land zu Land unterschiedlich sein können. Diese Garantie ist nur in den USA, im Vereinigten Königreich, in Irland, Belgien, den Niederlanden, Luxemburg, Frankreich, Deutschland und Mexiko gültig. Bezüglich der Garantiebestimmungen in anderen Ländern wenden Sie sich bitte an Ihren lokalen Händler.

Sicherheitshinweise

Diese Sicherheitshinweise enthalten wichtige Informationen über die Montage, Verwendung und Wartung des Geräts.

- Dieses Gerät NICHT öffnen. Die eingebauten Komponenten sind für den Kunden wartungsfrei.
- NIEMALS in die Lichtquelle schauen, während das Gerät eingeschaltet ist.
- Um unnötigen Verschleiß zu vermeiden und die Lebensdauer des Geräts zu verlängern, trennen Sie während längerer Perioden des Nichtgebrauchs das Gerät vom Stromnetz – entweder per Trennschalter oder durch Herausziehen des Steckers aus der Steckdose.
- VORSICHT: Beim Transport des Geräts von einer Umgebung mit außergewöhnlichen Temperaturen in eine andere solche Umgebung (z. B. aus einem kalten Transporter in einen warm-feuchten Ballsaal) kann an der im Gerät enthaltenen Elektronik Wasser kondensieren. Um einen Defekt zu vermeiden, muss sich das Gerät erst in der neuen Umgebung akklimatisiert haben, bevor es an die Stromversorgung angeschlossen werden kann.
- VORSICHT: Das Gehäuse dieses Produkts kann während des Betriebs heiß werden.
- Installieren Sie das Gerät an einem Ort mit ausreichender Belüftung und mit einem Abstand von mindestens 50 cm zu den angrenzenden Flächen.
- Belassen Sie KEINE entflammaren Materialien in einem Umkreis von 50 cm dieses Geräts, während es in Betrieb oder an der Stromversorgung angeschlossen ist.
- VERWENDEN Sie bei Montage über Kopf immer ein Sicherheitsseil.
- Nehmen sie das Gerät NICHT im Freien oder an einem Ort in Betrieb, der durch Staubentwicklung, übermäßige Hitze, Wasser oder hohe Luftfeuchtigkeit charakterisiert ist. (IP20)
- NIEMALS das Gerät in Betrieb nehmen, wenn Ihnen das Gehäuse, die Linsen oder das Kabel beschädigt erscheinen.
- Schließen Sie dieses Gerät NICHT an einen Dimmer oder Regelwiderstand an.
- Schließen Sie dieses Produkt NUR an einen mit der Erde verbundenen und geschützten Stromkreis an.
- Das Gerät NUR an den Hänge-/Befestigungsbügeln oder Griffen tragen.
- Bei ernsthaften Betriebsproblemen stoppen Sie umgehend die Verwendung des Geräts.
- Die maximal zulässige Umgebungstemperatur beträgt 45 °C. Nehmen Sie das Gerät nicht bei höheren Temperaturen in Betrieb.

FCC-Konformität

Dieses Gerät erfüllt Teil 15, Teil B, der FCC-Bestimmungen. Der Betrieb ist an folgende zwei Bedingungen geknüpft:

1. Dieses Gerät darf keine schädlichen Interferenzen verursachen, und
2. Dieses Gerät muss empfangende Interferenzen aufnehmen können, auch Interferenzen, die eventuell einen unerwünschten Betrieb verursachen.

Jegliche Änderungen oder Modifikationen, die nicht ausdrücklich von der Partei genehmigt wurden, die für die Compliance zuständig ist, könnten die Berechtigung des Benutzers zum Betrieb dieses Geräts aufheben.

Kontakt

Kunden außerhalb der USA, GB, Irland, Benelux, Frankreich, Deutschland, oder Mexiko wenden sich an ihren Lieferanten, um den Kundensupport in Anspruch zu nehmen oder ein Produkt zurückzuschicken. Kontaktinformationen finden Sie unter www.chauvetprofessional.com.

Packungsinhalt

- Ovation H-605FC
- 65°, 45° and 25° lenses
- 80° Filter
- Schnellanleitung

Wechselstrom

Dieses Gerät verfügt über ein Vorschaltgerät, das automatisch die anliegende Spannung erkennt, sobald der Netzstecker in die Schukosteckdose gesteckt wird, und kann mit einer Eingangsspannung von 100~240 V AC, 50/60 Hz arbeiten.

Serienschaltung der Geräte

Sie können bis zu 9 Ovation H-605FC Geräte bei 120 V AC, 16 Geräte bei 208 V und 17 Geräte bei 230 V AC in Serie schalten. Diese Anzahl niemals überschreiten! Stromkabel für die Serienschaltung können separat erworben werden.

Wechselstromstecker

Anschluss	Draht (USA)	Draht (Europa)	Schraubenfarbe
Stromführender AC-Leiter	Schwarz	Braun	Gelb/Messingfarben
AC-Neutralleiter	Weiß	Blau	Silber
AC-Erdungsleiter	Grün/Gelb	Grün/Gelb	Grün



Um Verschleiß zu vermeiden und die Lebensdauer des Geräts zu verlängern, trennen Sie während längerer Perioden des Nichtgebrauchs das Gerät vom Stromnetz – entweder per Trennschalter oder durch Herausziehen des Steckers aus der Steckdose.

Auswechseln der Sicherung

1. Trennen Sie das Gerät vom Stromnetz.
2. Mit einem Flachkopfschraubendreher lösen Sie die Abdeckung des Sicherungshalters vom Gehäuse.
3. Entfernen Sie die durchgebrannte Sicherung, und ersetzen Sie diese durch eine Sicherung des gleichen Typs und mit den gleichen Werten.
4. Schrauben Sie die Abdeckung der Sicherung wieder ein, und schließen Sie das Gerät wieder an das Stromnetz an.

DMX-Verbindung

Die Ovation H-605FC kann mit einem DMX-Controller betrieben werden, wenn eine 5-polige DMX-Datenverbindung zum Einsatz kommt. Sie können sich eine Einführung in DMX unter www.chauvetprofessional.com herunterladen.

DMX-Anschluss

Der Ovation H-605FC nutzt zur Steuerung seiner DMX-Eigenschaften eine 5-polige DMX-Datenverbindung: **1 Ch, 3 Ch, 5 Ch, 7Ch, 10 Ch, 12 Ch, 13 Ch, 16 Ch**, und **HSV**. Informationen zum Anschließen und Konfigurieren des Geräts für einen DMX-Betrieb finden Sie in der Bedienungsanleitung.

Master/Slave-Schaltung

Der Ovation H-605FC verwendet für seinen Master/Slave-Modus eine DMX-Datenverbindung. Informationen zum Anschließen und Konfigurieren des Geräts für einen Master/Slave-Betrieb finden Sie in der Bedienungsanleitung.

RDM (Remote Device Management)

Remote Device Management bzw. RDM ist ein Standard, mit dem DMX-aktivierte Geräte bidirektional entlang bestehender DMX-Kabel kommunizieren können. Der STRIKE Saber unterstützt das RDM-Protokoll, über das Feedback zur Überwachung der Änderungen der Menüoptionen gegeben wird. Laden Sie für weiterführende Informationen unter www.chauvetprofessional.com das Benutzerhandbuch herunter.

Drahtloser Betrieb

Unter optimalen Bedingungen kann der Ovation H-605FC in einer Entfernung von bis zu 300 m vom drahtlosen DMX-Sender betrieben werden. Der drahtlose DMX-Empfänger des Ovation H-605FC muss mit dem drahtlosen DMX-Sender für den Drahtlos-Betrieb gekoppelt werden.

Ersteinrichtung

1. Schalten Sie den drahtlosen DMX-Sender ein.
2. Schließen Sie den drahtlosen DMX-Sender an einen DMX-Controller an.
3. Platzieren Sie den Ovation H-605FC in einer Entfernung von maximal 300 m zum drahtlosen DMX-Sender.
4. Schalten Sie den Ovation H-605FC ein.

Konfiguration

1. Rufen Sie auf dem Bedienfeld des Ovation H-605FC **DMX Address** auf.
2. Wählen Sie wie bei jedem anderen DMX-kompatiblen Gerät die Startadresse aus.
3. Wählen Sie **Wireless Setting > Receive On/Off**.
4. Wählen Sie **On**. (Die Signalstärkeanzeige zeigt ein ? vor den Balken an.)
5. Drücken Sie auf die Reset-Taste auf dem drahtlosen DMX-Sender. (Die Signalstärkeanzeige auf dem Ovation H-605FC zeigt für 3 Sekunden, während eine Verbindung hergestellt wird, ein 4 in vor den Balken an.)

Geräte-Pairing

Wurde der Ovation H-605FC bereits mit dem drahtlosen DMX-Sender gekoppelt, zeigt die Signalstärkeanzeige in der Mitte des OLED-Bildschirms die Stärke des Signals an. In diesem Fall ist der Ovation H-605FC bereit für einen Betrieb im Drahtlos-Modus.

Koppeln des Ovation H-605FC mit dem neuen drahtlosen DMX-Sender

1. Rufen Sie auf dem Bedienfeld des Ovation H-605FC **Wireless Setting**.
2. Wählen Sie **Receive Reset**. Die Signalstärkeanzeige auf dem Ovation H-605FC zeigt ein ? vor den Balken an.
3. Drücken Sie auf dem drahtlosen DMX-Sender auf **<RESET>** (Die Signalanzeige auf dem Sender blinkt).
4. Sobald der Sender den Ovation H-605FC, gefunden hat, leuchtet die Signalanzeige auf dem drahtlosen DMX-Sender dauerhaft.
5. Die Signalstärkeanzeige in der Mitte des OLED-Bildschirms des Ovation H-605FC zeigt die Stärke des Signals an.



Ein drahtloser DMX-Betrieb kann durch Flüssigkeiten o. Ä. zwischen Sender und Empfänger, wie etwa Wasser, Schnee oder Menschen, unterbrochen oder behindert werden. Für beste Ergebnisse sollte daher der Bereich zwischen Sender und Empfänger von Flüssigkeiten o. Ä. freigehalten werden.

Virtuelles Farbrad (VCW)

Der Ovation H-605FC verfügt über eine Funktion mit der Bezeichnung Virtuelles Farbrad (Virtual Color Wheel, VCW). Diese Funktion steht als Stand-alone-Steuerungsmodus für die manuelle Bedienung sowie als Steuerungskanal bei ausgewählten DMX-Eigenschaften zur Verfügung. Es sind mehr als 30 von unseren Technikern vorgemischte Farben verfügbar, um die Programmierung einfacher zu gestalten. Die zum Mischen dieser Farben verwendeten DMX-Werte sind nachstehend angegeben. Sie können die Gesamtintensität des Ovation anpassen, um die Farben, mit denen Sie vertraut sind, besser nachzubilden. Auf unserer Website www.chauvetprofessional.com finden Sie eine Tabelle, mit deren Hilfe Sie unsere vorgemischten Farben mit beliebigen Gel-Farben vergleichen können. Diese Tabelle dient einzig Vergleichszwecken und ist keine Gewähr dafür, dass unsere vorgemischten Farben mit einer der aufgeführten Gel-Farben übereinstimmen.

Tabelle: Virtuelles Farbrad

DMX-Kanal-Wert	Anzeige auf Display	Roter Wert	Grüner Wert	Blauer Wert	Bernsteinfarbener Wert	Neongrüner Wert
000 ⇔ 005	--	000	000	000	000	000
006 ⇔ 013	C3050 - Md Yellow	233	163	020	123	255
014 ⇔ 021	C3040 - Lt Yellow	224	158	047	255	231
022 ⇔ 028	C3240 - Amb Yellow	180	060	000	245	255
029 ⇔ 035	C2340 - V Lt Amber	245	107	081	255	213
036 ⇔ 043	C2040 - Lt Amber	230	130	062	255	155
044 ⇔ 051	C2050 - Md Amber	255	000	025	255	194
052 ⇔ 059	C2060 - Dk Amber	255	000	024	255	150
060 ⇔ 067	C1050 - Lt Red	255	037	027	030	038
068 ⇔ 075	C1080 - Md Red	255	004	017	000	000
076 ⇔ 083	C1020 - NC Pink	238	135	129	255	255
084 ⇔ 091	C1030 - Md Pink	255	131	120	255	195
092 ⇔ 099	C1630 - Dk Pink	250	165	123	255	210
100 ⇔ 107	C1250 - Md Red Amber	255	000	041	195	055
108 ⇔ 115	C1060 - Dk Red Amber	255	000	045	120	030
116 ⇔ 121	C1650 - Magenta	255	050	115	255	115
122 ⇔ 130	C6170 - Dk Magenta	255	035	117	000	000
131 ⇔ 138	C6020 - Lt Lavender	127	122	142	251	255
139 ⇔ 146	C5030 - Lt Blue	000	255	197	100	255
147 ⇔ 154	C5020 - V Lt Blue	158	255	189	000	255
155 ⇔ 162	C5430 - Lt Blue 2	000	255	180	000	243
163 ⇔ 170	C5070 - Blue	043	255	210	043	036
171 ⇔ 178	C5050 - Md Blue	000	255	218	000	181
179 ⇔ 186	C5060 - Dk Blue	000	210	206	000	118
187 ⇔ 194	C5690 - Indigo	065	000	210	040	055
195 ⇔ 202	C5080 - V Dk Blue	000	203	230	000	040
203 ⇔ 210	C5081 - V Dk Blue 2	040	199	240	000	045
211 ⇔ 218	C4370 - Yel Green	027	255	028	016	104
219 ⇔ 226	C4070 - Green	049	255	055	120	090
227 ⇔ 234	C4550 - Turquoise	060	230	109	000	245
235 ⇔ 242	C4560 - Aqua	020	240	126	036	255
243 ⇔ 250	C4570 - Blue Green	000	255	079	030	053
251 ⇔ 255	--	000	000	000	000	000



Hinweis: Die oben genannten Farben sind simulierte Ähnlichkeiten der Farbausgabe im Vergleich zu anderen, ähnlich weißglühenden Produkten. Chauvet gibt keine Gewährleistung bezüglich der Genauigkeit der Farbausgabe.

Farbtemperatur-Tabelle

DMX-Kanal-Wert	Anzeige auf Display	Roter Wert	Grüner Wert	Blauer Wert	Bernsteinfarbener Wert	Neongrüner Wert
000 ⇄ 005	--	000	000	000	000	000
006 ⇄ 025	2800K	255	199	107	253	255
026 ⇄ 050	3200K	253	247	129	255	255
051 ⇄ 075	3500K	234	255	141	253	255
076 ⇄ 100	4000K	204	255	156	243	255
101 ⇄ 125	4500K	181	248	166	224	255
126 ⇄ 150	5000K	160	255	180	241	255
151 ⇄ 175	5600K	138	255	191	241	255
176 ⇄ 200	6000K	147	255	193	203	255
201 ⇄ 225	6500K	142	251	197	187	255
226 ⇄ 255	--	000	000	000	000	000



Hinweis: Die oben genannten Farbtemperaturen sind simulierte Ähnlichkeiten der Farbausgabe im Vergleich zu einer Wolframlampe mit spezifizierter Farbtemperatur. Chauvet gibt keine Gewährleistung bezüglich der Genauigkeit der Farbausgabe.

Montage

Lesen Sie vor der Montage dieses Geräts die [Sicherheitshinweise](#). Mindestens einen Befestigungspunkt pro Gerät verwenden. Stellen Sie sicher, dass die Befestigungsklemmen dafür ausgelegt sind, das Produktgewicht tragen zu können. Informationen zu unserer CHAUVET-Produktlinie für Befestigungsklemmen finden Sie unter <http://trusst.com/productcategory/truss-clamps/>

Ansicht Gerätemontage



Beschreibung des Bedienfeldes

Taste/Drehknopf	Funktion
<MENU>	Damit verlassen Sie das aktuelle Menü oder die Funktion.
<ENTER>	Damit wird das aktuell angezeigte Menü aktiviert oder der aktuell ausgewählte Wert einer Funktion eingestellt
<UP>	Damit navigieren Sie sich durch die Menüpunkte nach oben und erhöhen den numerischen Wert der entsprechenden Funktion.
<DOWN>	Damit navigieren Sie sich durch die Menüpunkte nach unten und verringern den numerischen Wert der entsprechenden Funktion.

Menüstruktur

Die neueste Menükarte finden Sie auf der Ovation H-605FC--produktseite unter www.chauvetprofessional.com.

Hauptebene	Programmirebenen		Beschreibung
DMX Address	001–510*		Wählt die DMX-Adresse aus (der höchste Kanal ist auf die gewählte Eigenschaft beschränkt)
	DMX Channel	1 Ch	Virtual Color Wheel
Color Temperature			
Manual Color Mixer			
3 Ch		3-Kanal: Dimmer, VCW, Farbtemperatur, Farbton	
5 Ch		5-Kanal: RGBAL	
7 Ch		7-Kanal: Dimmer, RGBAL, Stroboskopeffekt, Farbton	
10 Ch		10-Kanal: 16-Bit-Dimmer, RGBAL, Stroboskopeffekt, VCW, Farbtemperatur, Farbton	
12 Ch		12-Kanal: 16-Bit-Dimmer, 16-Bit-RGBW, Stroboskopeffekt, VCW, Farbtemperatur, Auto-Show, Farbton	
13 Ch		13-Kanal: Dimmer, RGBAL, Stroboskopeffekt, Farbton	
16 Ch	16-Kanal: 16-Bit-Dimmer, 16-Bit-RGBAL, Stroboskopeffekt, VCW, Farbtemperatur, Farbton		
HSV	3-Kanal: Farbton, Farbsättigung, Farbwert		

Hauptebene	Programmirebenen		Beschreibung	
Virtual Color Wheel	Virtual Color Wheel	C3050-Md Yellow	Dimmer 000–255	Das Virtuelle Farbrad simuliert die Ausgabe jeder Gel-Farbe. Für spezifische Werte, siehe den Abschnitt Tabelle: Virtuelles Farbrad
		C3040-Lt Yellow		
		C3240-Amb Yellow		
		C2340-VLt Amber		
		C2040-Lt Amber		
		C2050-Md Amber		
		C2060-Dk Amber		
		C1050-Lt Red		
		C1080-Md Red		
		C1020-NC Pink		
		C1030-Md Pink		
		C1630-Dk Pink		
		C1250-Md Red Amber		
		C1060-Dk Red Amber		
		C1650-Magenta		
		C6170-Dk Magenta		
		C6020-Lt Lavender		
		C5030-Lt Blue		
		C5020-VLt Blue		
		C5430-Lt Blue2		
		C5070-Blue		
		C5050-Md Blue		
		C5060-Dk Blue		
		C5690- Indigo		
		C5080-VDk Blue		
		C5081-VDk Blue2		
		C4370-Yel Green		
C4070-Green				
C4550-Turquoise				
C4560-Aqua				
C4570-Blue Green				
Color Temperature	Color Temperature	2800K	000–255	Voreinstellung der weißen Farbtemperaturen. Bildet eine Wolframlampe mit der spezifizierten Farbtemperatur ab. Für spezifische Werte, siehe den Abschnitt Farbtemperatur-Tabelle .
		3200K		
		3500K		
		4000K		
		4500K		
		5000K		
		5600K		
		6000K		
6500K				
Manual Color Mixer	Manual Color Mixer	Red	000–100	Kombiniert rote, grüne, blaue, bernsteinfarbene und neongrüne Farben zu einer benutzerdefinierten Farbe (0–100%)
		Green		
		Blue		
		Amber		
		Lime		
Color X-Fade Speed	Color X-Fade Speed	Off	000–100	Schaltet die Überblendung zwischen Farben aus
		X-Fade Speed 1		Erzeugt Überblendungen zwischen Farben bei Verwendung von Farben im virtuellen Farbrad oder in der Farbtemperaturtabelle, von schnell (X-Fade Speed 1) bis langsam (X-Fade Speed 4)
		X-Fade Speed 2		
		X-Fade Speed 3		
X-Fade Speed 4				
Auto Show	Auto 1–5	001–100	Wählt das Auto-Programm und die Programm-Geschwindigkeit aus	
Red Shift	On Off		Ahmt die Dimmung einer Halogenlampe nach	

Hauptebene	Programmirebenen		Beschreibung	
Master/ Slave	Master		DMX-Modus (Master)	
	Slave		Slave-Modus	
Dimmer Curve	Linear		Stellt die Dimmungskurve ein	
	Square			
	I Square			
	SCurve			
Dimmer Mode	Off		Linearer Dimmer	
	Dimmer 1–3		Dimmungskurven Dimmer 1 (schnell) nach Dimmer 3 (langsam)	
White Balance	Off		Verwendet die werksseitig voreingestellte Standardeinstellung "Weiß"	
	Manual	Red	125–255	Stellt den maximalen Wert der roten LED ein
		Green		Stellt den maximalen Wert der grünen LED ein
		Blue		Stellt den maximalen Wert der blauen LED ein
		Amber		Stellt den maximalen Wert der bernsteinfarbenen LED ein
		Lime		Stellt den maximalen Wert der neongrünen LED ein
LED Frequency	600Hz		Stellt die PWM-Frequenz ein	
	1200Hz			
	2000Hz			
	4000Hz			
	6000Hz			
	25KHz			
Back Light	10S		Damit wird die Hintergrundbeleuchtung der Anzeige nach 10 Sekunden Inaktivität ausgeschaltet	
	30S		Damit wird die Hintergrundbeleuchtung der Anzeige nach 30 Sekunden Inaktivität ausgeschaltet	
	2 Min		Damit wird die Hintergrundbeleuchtung der Anzeige nach 2 Minuten Inaktivität ausgeschaltet	
	Always On		Hintergrundbeleuchtung immer an	
Wireless Setting	Receive On/Off	On Off	Damit aktivieren/deaktivieren Sie drahtloses DMX	
	Receive Reset	No Yes	Setzt den internen Empfänger zurück	
Emergency Mode	On		Schaltet das Produkt ein, wenn das DMX-Signal verloren geht	
	Off		Wenn das DMX-Signal verloren geht, wird keine Aktion ausgeführt	
Information	Fixture Hours	___H	Zeigt an, wie lange das Gerät eingeschaltet gewesen ist	
	LED Hours	___H	Zeigt die Gesamtstunden an, in denen die LED-Leuchten eingeschaltet waren	
	Version	V_._	Zeigt die aktuelle Firmware-Version an	
	UID	-----	Zeigt die Geräte-UID an	
Reset Factory	No		Damit stellen Sie das Gerät auf die Werkseinstellungen zurück	
	Yes			



WARNUNG: Wenn Sie im Lüftermodus arbeiten: Aus, wird das Gerät bei Berührung heißer als bei Verwendung anderer Lüftermodi. Verwenden Sie geeignete Schutzausrüstung, um Verbrennungen zu vermeiden. Halten Sie einen Sicherheitsabstand zu brennbaren Gegenständen ein.



HINWEIS: Im Lüftermodus: Aus wird der Ausgang des Geräts reduziert und erreicht nicht die gleichen Pegel wie bei Verwendung anderer Lüftermodi.

DMX-Werte

16Ch / 13Ch / 12Ch / 10Ch / 7Ch / 5Ch

5Ch	7Ch	10Ch	12Ch	13Ch	16Ch	Funktion	Wert	Prozent/Einstellung
-	1	1	1	1	1	Dimmer	000 ⇔ 255	0-100%
-	-	2	-	2	2	Dimmer, fein	000 ⇔ 255	0-100%
1	2	3	2	3	3	Rot	000 ⇔ 255	0-100%
-	-	-	-	4	4	Rot, fein	000 ⇔ 255	0-100%
2	3	4	3	5	5	Grün	000 ⇔ 255	0-100%
-	-	-	-	6	6	Grün, fein	000 ⇔ 255	0-100%
3	4	5	4	7	7	Blau	000 ⇔ 255	0-100%
-	-	-	-	8	8	Blau, fein	000 ⇔ 255	0-100%
4	5	6	5	9	9	Bernsteinfarben	000 ⇔ 255	0-100%
-	-	-	-	10	10	Bernsteinfarben, fein	000 ⇔ 255	0-100%
5	6	7	6	11	11	Neongrün	000 ⇔ 255	0-100%
-	-	-	-	12	12	Neongrün, fein	000 ⇔ 255	0-100%
-	7	8	7	13	13	Stroboskop	000 ⇔ 010 011 ⇔ 255	Keine Funktion Blitzfrequenz (von langsam nach schnell)
-	-	9	8	-	14	Virtuelles Farbrad	000 ⇔ 255	Siehe Tabelle: Virtuelles Farbrad
-	-	10	9	-	15	Farbtemperatur	000 ⇔ 255	Siehe Farbtemperatur-Tabelle
-	-	-	10	-	-	Auto-Programme	000 ⇔ 010 011 ⇔ 060 061 ⇔ 110 111 ⇔ 160 161 ⇔ 210 211 ⇔ 255	Keine Funktion Auto-Programm 1 Auto-Programm 2 Auto-Programm 3 Auto-Programm 4 Auto-Programm 5
-	-	-	11	-	-	Geschwindigkeit des Auto-Programms	000 ⇔ 255	Auto-Geschwindigkeit (von langsam nach schnell)
-	-	-	12	-	16	Control (hold for 3 seconds)	000 ⇔ 007 008 ⇔ 015 016 ⇔ 023 024 ⇔ 031 032 ⇔ 039 040 ⇔ 047 048 ⇔ 055 056 ⇔ 063 064 ⇔ 071 072 ⇔ 079 080 ⇔ 087 088 ⇔ 095 096 ⇔ 103 104 ⇔ 111 112 ⇔ 119 120 ⇔ 127 128 ⇔ 135 136 ⇔ 255	Keine Funktion Dimmer zurücksetzen Rotverschiebung ein Rotverschiebung ab S-Kurve Dimmerkurve Lineare Dimmerkurve Quadratische Dimmerkurve Inverse quadratische Dimmerkurve Dimmer-Geschwindigkeitsmodus aus Dimmer-Geschwindigkeitsmodus 1 Dimmer-Geschwindigkeitsmodus 2 Dimmer-Geschwindigkeitsmodus 3 X-Fade-Geschwindigkeit: AUS X-Fade-Geschwindigkeit: 1 (schnellste) X-Fade-Geschwindigkeit: 2 X-Fade-Geschwindigkeit: 3 X-Fade Geschwindigkeit: 4 (langsamste) Reserviert für zukünftige Verwendung

3Ch / 1Ch

1Ch	3Ch	Funktion	Wert	Prozent/Einstellung
1	1	Dimmer	000 ⇔ 255	0–100%
–	2	Virtuelles Farbrad	000 ⇔ 255	Siehe Tabelle: Virtuelles Farbrad
–	3	Farbtemperatur	000 ⇔ 255	Siehe Farbtemperatur-Tabelle

HSV

Kanal	Funktion	Wert	Prozent/Einstellung
1	Schattierung	000 ⇔ 255	0–100%
2	Sättigung	000 ⇔ 255	0–100%
3	Wert	000 ⇔ 255	0–100%

Over deze handleiding

De Ovation H-605FC Beknopte Handleiding (BH) bevat basisinformatie over het product, zoals aansluiting, montage, menu-opties en DMX-waarden. Download de gebruikershandleiding op www.chauvetprofessional.com voor meer informatie.

Disclaimer

De informatie en specificaties in deze BH kunnen zonder voorafgaande kennisgeving worden gewijzigd.

BEPERKTE GARANTIE

GA NAAR ONZE WEBSITE VOOR REGISTRATIE VAN DE GARANTIE EN DE VOLLEDIGE ALGEMENE VOORWAARDEN.

Voor klanten in de Verenigde Staten en Mexico: www.chauvetlighting.com/warranty-registration.

Voor klanten in het Verenigd Koninkrijk, Ierland, België, Nederland, Luxemburg, Frankrijk en Duitsland: www.chauvetlighting.eu/warranty-registration.

Chauvet garandeert dat dit product bij normaal gebruik vrij zal blijven van defecten in materiaal en vakmanschap, voor de opgegeven periode en onder voorbehoud van de uitzonderingen en beperkingen die zijn uiteengezet in de volledige beperkte garantie op onze website. Deze garantie geldt uitsluitend voor de oorspronkelijke koper van het product en is niet overdraagbaar. Om onder deze garantie rechten uit te oefenen, moet u een aankoopbewijs overleggen in de vorm van een origineel verkoopbewijs van een geautoriseerde dealer, waarop de naam van het product en de aankoopdatum zichtbaar zijn. ER ZIJN GEEN ANDERE EXPLICIETE OF IMPLICIETE GARANTIES. Deze garantie geeft u specifieke wettelijke rechten. Mogelijk heeft u ook andere rechten die van staat tot staat en van land tot land verschillen. Deze garantie is uitsluitend geldig in de Verenigde Staten, het Verenigd Koninkrijk, Ierland, België, Nederland, Luxemburg, Frankrijk, Duitsland en Mexico. Neem contact op met uw lokale verkoper voor garantievoorwaarden in andere landen.

Veiligheids instructies

- Open het product NIET. Het bevat geen te onderhouden onderdelen.
- KIJK NIET in de lichtbron wanneer het apparaat is ingeschakeld.
- Om onnodige slijtage te elimineren en zijn levensduur te verlengen, gedurende perioden wanneer het product niet wordt gebruikt, moet u het product van de stroom afsluiten door een aardlekschakelaar om te zetten of door het te ontkoppelen.
- LET OP: Bij het verplaatsen van het product uit extreme omgevingen, (bijv. koude vrachtwagen naar warme, vochtige balzaal) kan er condensvorming optreden op de elektronica van het product. Om storingen te vermijden moet het product volledig kunnen acclimatiseren aan de omgeving voordat het op stroom wordt aangesloten.
- LET OP: De behuizing van dit product kan heet zijn wanneer het in bedrijf is.
- Monteer dit product op een plek met voldoende ventilatie, ten minste 50 cm van de aangrenzende oppervlakken.
- Plaats geen ontvlambaar materiaal binnen 50 cm van dit product als het in gebruik is of is aangesloten op het stopcontact.
- GEBRUIK een veiligheidskabel bij het boven het hoofd plaatsen van dit product.
- Gebruik dit product NIET buitenshuis of op een locatie waar stof, grote warmte, water of vochtigheid het kunnen beïnvloeden.
- Gebruik dit product NIET als de behuizing, lenzen of kabels beschadigd lijken.
- Sluit dit product NIET aan op een dimmer of een regelweerstand.
- Sluit dit product UITSLUITEND op een geaard en beveiligd stroomcircuit.
- Gebruik UITSLUITEND de ophang-/montagebeugels of de hendels om dit product te dragen.
- Stop in het geval van ernstige operationele problemen onmiddellijk met het gebruik.
- De maximale omgevingstemperatuur bedraagt 45 °C. Gebruik dit product niet bij hogere temperaturen.

FCC-naleving

Dit apparaat voldoet aan Part 15 Part B van de FCC-regels. Het gebruik is onderworpen aan de volgende twee voorwaarden:

1. Dit apparaat mag geen schadelijke interferentie veroorzaken, en
2. Dit apparaat moet enige ontvangen interferentie accepteren, inclusief interferentie die een ongewenste werking kan veroorzaken.

Eventuele wijzigingen of aanpassingen die niet uitdrukkelijk door de voor naleving verantwoordelijke partij zijn goedgekeurd, kan de bevoegdheid van de gebruiker om de apparatuur te bedienen ongeldig verklaren.

Contact

Van buiten de VS, Verenigd Koninkrijk, Ierland, Mexico of Benelux kunt u contact opnemen met de distributeur of om ondersteuning vragen dan wel het product retourneren. Ga naar [Contact Us](#) voor contactinformatie.

Wat is inbegrepen

- Ovation H-605FC
- 65°, 45° en 25° lenzen
- 80° Filter
- Eierkrat
- Beknopte handleiding

AC-stroom

Dit product heeft een voeding met automatisch bereik die werkt met een ingangsspanning van 100–240 VAC, 50/60 Hz.

De zekering vervangen

3. Ontkoppel dit product van de stroom.
4. Gebruik een kruiskopschroevendraaier nr. 2 en schroef de kap van de zekeringshouder los van de behuizing.
5. Verwijder de doorgebrande zekering en vervang het met een werkende zekering van hetzelfde type en met dezelfde waarde.
6. Schroef de kap van de zekeringhouder terug en steek de stekker er weer in.

AC-stekker

Aansluiting	Snoer (VS)	Snoer (Europa)	Schroefkleur
AC Live	Zwart	Bruin	Geel/messing
AC Neutraal	Wit	Blauw	Zilver
AC Aarde	Groen/geel	Groen/geel	Groen



Om onnodige slijtage te elimineren en zijn levensduur te verlengen, gedurende perioden wanneer het product niet wordt gebruikt, moet u het product van de stroom afsluiten door een aardlekschakelaar om te zetten of door het te ontkoppelen.

DMX-koppeling

De Ovation H-605FC kan met een DMX-controller werken met een normale DMX seriële verbinding. Op www.chauvetprofessional.com is een DMX basishandleiding verkrijgbaar.

DMX-aansluiting

De Ovation H-605FC gebruikt een normale DMX-gegevensverbinding voor zijn DMX-persoonlijkheden: **1, 3, 5, 7, 10, 12, 13, 16**, en **HSV**. Zie de gebruikershandleiding om te verbinden en te configureren voor DMX-werking.

Master/slave-verbinding

De Ovation H-605FC maakt gebruik van de DMX-dataverbinding voor haar Master-/Slave-modus. Zie de gebruikershandleiding om te verbinden en te configureren voor Master/Slave-werking.

RDM (apparaatbeheer op afstand)

Remote Device Management of RDM (apparaatbeheer op afstand) is een standaard die het voor DMX-apparaten mogelijk maakt om in twee richtingen te communiceren over bestaande DMX-kabels. De Ovation H-605FC ondersteunt het RDM-protocol dat zorgt feedback toelaat bij de bewaking van wijzigingen aan de menu map-opties van. Download de gebruikershandleiding op www.chauvetprofessional.com voor meer informatie.

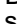
Draadloze bediening

In optimale omstandigheden, kan de Ovation H-605FC werken tot een afstand van 300 m van de W-DMX zender. De W-DMX ontvanger in de Ovation H-605FC moet met de W-DMX zender zijn gekoppeld voor draadloze werking.

Eerste opstelling

1. Schakel de W-DMX-zender in
2. Sluit de W-DMX-zender aan op een DMX-regelaar.
3. Plaats de Ovation H-605FC binnen 300 m van de W-DMX-zender.
4. Ontkoppel alle DMX-kabels van de Ovation H-605FC.
5. Schakel de Ovation H-605FC in.

Configuratie

1. Ga vanuit het bedieningspaneel van de Ovation H-605FC naar het **DMX Address**.
2. Kies het startadres, zoals bij elk ander DMX-compatibel product.
3. Ga naar **Wireless Setting > Receive On/Off**.
4. Kier **On**. (De aanduiding van de signaalsterkte toont een ? voor de streepjes)
5. Druk op de W-DMX-zender op de resetknop. (De indicator van de signaalsterkte op de Ovation H-605FC toont 3 seconden een  voor de streepjes terwijl een verbinding wordt opgestart.)

Koppelen van het product

Als de Ovation H-605FC al is gekoppeld met de W-DMX-zender, toont de indicator voor de signaalsterkte in het midden van het LCD-scherm de signaalsterkte. In dit geval is de Ovation H-605FC al klaar voor gebruik in de draadloze modus.

1. Ga vanuit het bedieningspaneel van de Ovation H-605FC naar **Wireless Setting**.
2. Kies **Reset**. (De aanduiding van de signaalsterkte op de Ovation H-605FC toont een ? voor de streepjes)
3. Druk vanuit de W-DMX-zender op **<RESET>** (de signaal-aanduiding op de zender zal knipperen)
4. Nadat de zender de Ovation H-605FC heeft gevonden, zal de signaal-aanduiding op de W-DMX zender onafgebroken branden.
5. De aanduiding voor de signaalsterkte in het midden van het LCD-scherm op de Ovation H-605FC toont de signaalsterkte.



De werking van W-DMX kan worden verstoord of onderbroken door vloeistofmassa's tussen de zender en de ontvanger, zoals water, sneeuw of mensen. Houd het gebied tussen de zender en de ontvanger voor de beste resultaten vrij van vloeistofmassa.

Virtueel kleurenwiel

De Ovation H-605FC bevat een functie, genaamd het virtuele kleurenwiel (Virtual Color Wheel, VCW). Deze functie is beschikbaar als een losstaande bedieningsmodus voor handmatig gebruik en ook als een bedieningskanaal in de geselecteerde DMX-persoonlijkheden van de producten. Voor eenvoudiger programmering zijn er meer dan 30 voorgemengde kleuren beschikbaar die speciaal door onze technici zijn samengesteld.

De DMX-waarden die worden gebruikt voor het mengen van deze kleuren staan hieronder vermeld. U kunt de algehele intensiteit van het Ovation-armatuur aanpassen om de kleuren waarmee u bekend bent beter na te bootsen. Op onze website www.chauvetprofessional.com is een tabel beschikbaar om onze voorgemengde kleuren te vergelijken met populaire gelkleuren. Deze grafiek is uitsluitend bedoeld voor vergelijkingsdoeleinden en vormt geen garantie dat onze voorgemengde kleuren overeenkomen met de vermelde gelkleuren.

Kleurenkaart

DMX kanaalwaarde	Weergave op het display	Rode waarde	Groene waarde	Blauwe waarde	Gele waarde	Lime waarde
000 ⇔ 005	--	000	000	000	000	000
006 ⇔ 013	C3050 - Md Yellow	233	163	020	123	255
014 ⇔ 021	C3040 - Lt Yellow	224	158	047	255	231
022 ⇔ 028	C3240 - Amb Yellow	180	060	000	245	255
029 ⇔ 035	C2340 - VLt Amber	245	107	081	255	213
036 ⇔ 043	C2040 - Lt Amber	230	130	062	255	155
044 ⇔ 051	C2050 - Md Amber	255	000	025	255	194
052 ⇔ 059	C2060 - Dk Amber	255	000	024	255	150
060 ⇔ 067	C1050 - Lt Red	255	037	027	030	038
068 ⇔ 075	C1080 - Md Red	255	004	017	000	000
076 ⇔ 083	C1020 - NC Pink	238	135	129	255	255
084 ⇔ 091	C1030 - Md Pink	255	131	120	255	195
092 ⇔ 099	C1630 - Dk Pink	250	165	123	255	210
100 ⇔ 107	C1250 - Md Red Amber	255	000	041	195	055
108 ⇔ 115	C1060 - Dk Red Amber	255	000	045	120	030
116 ⇔ 121	C1650 - Magenta	255	050	115	255	115
122 ⇔ 130	C6170 - Dk Magenta	255	035	117	000	000
131 ⇔ 138	C6020 - Lt Lavender	127	122	142	251	255
139 ⇔ 146	C5030 - Lt Blue	000	255	197	100	255
147 ⇔ 154	C5020 - VLt Blue	158	255	189	000	255
155 ⇔ 162	C5430 - Lt Blue 2	000	255	180	000	243
163 ⇔ 170	C5070 - Blue	043	255	210	043	036
171 ⇔ 178	C5050 - Md Blue	000	255	218	000	181
179 ⇔ 186	C5060 - Dk Blue	000	210	206	000	118
187 ⇔ 194	C5690 - Indigo	065	000	210	040	055
195 ⇔ 202	C5080 - Vdk Blue	000	203	230	000	040
203 ⇔ 210	C5081 - Vdk Blue 2	040	199	240	000	045
211 ⇔ 218	C4370 - Yel Green	027	255	028	016	104
219 ⇔ 226	C4070 - Green	049	255	055	120	090
227 ⇔ 234	C4550 - Turquoise	060	230	109	000	245
235 ⇔ 242	C4560 - Aqua	020	240	126	036	255
243 ⇔ 250	C4570 - Blue Green	000	255	079	030	053
251 ⇔ 255	--	000	000	000	000	000



Let op: De kleuren hierboven zijn gesimuleerde waargaven van de kleurexitvoer die zijn geproduceerd, in vergelijking met de andere gelijksoortige lichtproducten. Chauvet geeft geen garantie over de nauwkeurigheid van de kleuropbrengst.

Kleurtemperatuur-kaart

DMX kanaalwaarde	Weergave op het display	Rode waarde	Groene waarde	Blauwe waarde	Gele waarde	Lime waarde
000 ⇔ 005	--	000	000	000	000	000
006 ⇔ 025	2800K	255	199	107	253	255
026 ⇔ 050	3200K	253	247	129	255	255
051 ⇔ 075	3500K	234	255	141	253	255
076 ⇔ 100	4000K	204	255	156	243	255
101 ⇔ 125	4500K	181	248	166	224	255
126 ⇔ 150	5000K	160	255	180	241	255
151 ⇔ 175	5600K	138	255	191	241	255
176 ⇔ 200	6000K	147	255	193	203	255
201 ⇔ 225	6500K	142	251	197	187	255
226 ⇔ 255	--	000	000	000	000	000

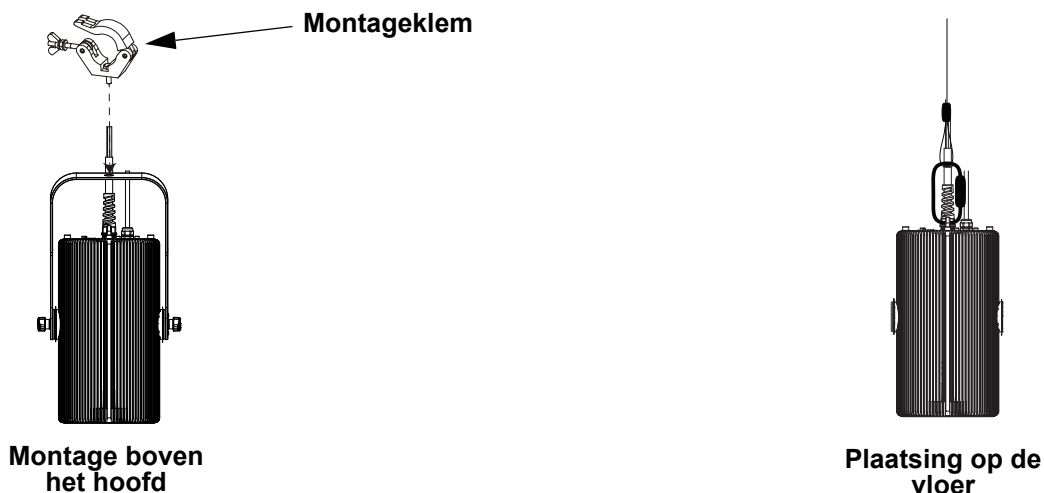


Let op: De bovenstaande kleurtemperaturen zijn gesimuleerde weergaven van de geproduceerde kleuropbrengst, in vergelijking met een wolfram-lamp bij de opgegeven kleurtemperatuur. Chauvet geeft geen garantie over de nauwkeurigheid van de kleuropbrengst.

Montage

Lees alvorens dit product te monteren alle [Veiligheids instructies](#). Controleer of de montageklem het gewicht van het product kan dragen. Ga voor onze Chauvet-serie montageklemmen naar <http://trusst.com/productcategory/truss-clamps/>

Montagediagram van het product



Beschrijving bedienings paneel

Toets	Functie
<MENU>	Sluit het huidige menu of functie af
<ENTER>	Activeert het huidige getoonde menu of plaatst de huidige geselecteerde waarde in de geselecteerde functie
<UP>	Navigeert omhoog via het menu of verhoogt de numerieke waarde wanneer in een functie
<DOWN>	Navigeert omlaag via het menu of verlaagt de numerieke waarde wanneer in een functie

Menumap

Raadpleeg de productpagina van Ovation H-605FC op www.chauvetprofessional.com voor de nieuwste menukaart.

Hoofd-niveau	Programmeerniveaus		Beschrijving
DMX Address	Address	001–510*	Selecteer het DMX-adres (hoogste kanaal beperkt tot de gekozen persoonlijkheid)
DMX Channel	1CH	Virtual Color Wheel	1-kanaal: RGBAL, tint, VCW, kleurtemperatuur
		Color Temperature	
		Manual Color Mixer	
		3CH	3-kanaal: dimmer, VCW, kleurtemperatuur, tint
		5CH	5-kanaal: RGBAL
		7CH	7-kanaal: dimmer, RGBAL, stroboscoop, tint
		10CH	10-kanaal: 16-bit dimmer, RGBAL, stroboscoop, VCW, kleurtemperatuur, tint
		12CH	12-kanaal: 16-bit dimmer, 16-bit RGBAL, stroboscoop, VCW, kleurtemperatuur, programma's, tint
		13CH	13-kanaal: dimmer, RGBAL, stroboscoop, tint
	16CH	16-kanaal: 16-bit dimmer, 16-bit RGBAL, stroboscoop, VCW, kleurtemperatuur, tint	
	HSV	3-kanaal: tint, verzadiging, waarde	

Hoofdniveau	Programmeerniveaus		Beschrijving	
<p>VCW (Virtual Color Wheel)</p>	<p>VCW (Virtual Color Wheel)</p>	<p>Dimmer</p> <p>000–255</p> <ul style="list-style-type: none"> C3050 - Md Yellow C3040 - Lt Yellow C3240 - Amb Yellow C2340 - VLt Amber C2040 - Lt Amber C2050 - Md Amber C2060 - Dk Amber C1050 - Lt Red C1080 - Md Red C1020 - NC Pink C1030 - Md Pink C1630 - Dk Pink C1250 - Md Red Amber C1060 - Dk Red Amber C1650 - Magenta C6170 - Dk Magenta C6020 - Lt Lavender C5030 - Lt Blue C5020 - VLt Blue C5430 - Lt Blue 2 C5070 - Blue C5050 - Md Blue C5060 - Dk Blue C5690 - Indigo C5080 - VDK Blue C5081 - VDK Blue 2 C4370 - Yel Green C4070 - Green C4550 - Turquoise C4560 - Aqua C4570 - Blue Green 	<p>Het virtuele kleurenwiel simuleert de opbrengst van elke gekleur. Raadpleeg de sectie Kleurenkaart voor specifieke waarden</p>	
		<p>CCT (Color Temperature)</p>	<ul style="list-style-type: none"> 2800K 3200K 3500K 4000K 4500K 5000K 5600K 6000K 6500K 	<p>Voorinstelde witte kleurtemperaturen. Emuleert een wolfram-lamp bij de opgegeven kleurtemperatuur. Raadpleeg de sectie Kleurtemperatuur-kaart voor specifieke waarden</p>
		<p>MCM (Manual Color Mixer)</p>	<ul style="list-style-type: none"> Red Green Blue Amber Lime 	<p>Combineert rood, groen, blauw, amber en lime om een aangepaste kleur te genereren (0–100%)</p>
		<p>Color X-Fade Speed</p>	<p>Off</p>	<p>Schakelt de fade-overgang tussen kleuren uit</p>
			<p>X-Fade Speed 1</p>	<p>Maakt een fade-overgang tussen kleuren bij gebruik van kleuren in het virtuele kleurenwiel of de kleurtemperatuurgrafiek, van snel (X-Fade Speed 1) tot langzaam (X-Fade Speed 4)</p>
			<p>X-Fade Speed 2</p>	
			<p>X-Fade Speed 3</p>	
		<p>X-Fade Speed 4</p>		

Hoofdniveau	Programmeerniveaus		Beschrijving	
Auto Show	Auto 1	1-100	Selecteert automatische programma's en automatische programmasnelheid	
	Auto 2			
	Auto 3			
	Auto 4			
	Auto 5			
Red Shift	On		Bootst halogeenlamp dimmen na	
	Off			
Master/Slave	Master		Master-modus	
	Slave		Slave-modus	
Dimmer Curve	Linear		Stelt de dimcurve in	
	Square			
	I Square			
	SCurve			
Dimmer Mode	Off		Lineaire dimmer	
	Dimmer 1		Snelle dimmer-kromme	
	Dimmer 2		Gemiddelde dimmer-kromme	
	Dimmer 3		Langzame dimmer-kromme	
White Balance	Manual	Off	Gebuikt standaard witte instelling	
		Red	Stelt de maximum waarde van de rode LED in	
		Green	Stelt de maximum waarde van de groene LED in	
		Blue	Stelt de maximum waarde van de blauwe LED in	
		Amber	Stelt de maximum waarde van de amber LED in	
		Lime	Stelt de maximum waarde van de lime LED in	
LED Frequency			Permet de sélectionner la fréquence de sortie MLI	
				600Hz
				1200Hz
				2000Hz
				4000Hz
				6000Hz
Back Light			10S	Schakelt de backlight van de display uit na 10s van inactiviteit
			30S	Schakelt de backlight van de display uit na 30s van inactiviteit
			2 Min	Schakelt de backlight van de display uit na 2min van inactiviteit
			Always On	De backlight van de display is altijd aan
Wireless Setting	Receive On/Off	On	Schakelt de DMX-functie aan/uit	
		Off		
	Receive Reset	No	Schakelt het uit DMX-functie DMXsignaal aan/uit	
Yes				
Emergency Mode	On		Schakelt het uit wanneer het DMXsignaal is verbroken	
	Off		Er wordt geen actie ondernemen wanneer het DMX-signaal is verbroken	
Information	Fixture Hours	----H	Toont het totale aantal producten	
	LED Hours	----H	Toont het totale aantal uren dat de LED-verlichting aan was	
	Version	V_._	Toont de geïnstalleerde softwareversie	
	UID	-----	Toont het apparaat-ID van het product	
Factory Setting	No		Geeft de huidige UID #	
	Yes		Herstellen naar de fabrieksstandaard	

DMX-waarden

16Ch / 13Ch / 12Ch / 10Ch / 7Ch / 5Ch

5Ch	7Ch	10Ch	12Ch	13Ch	16Ch	Functie	Waarde	Percentage/instelling
-	1	1	1	1	1	Dimmer	000 ⇔ 255	0-100%
-	-	2	-	2	2	Fijne dimmer	000 ⇔ 255	0-100%
1	2	3	2	3	3	Rood	000 ⇔ 255	0-100%
-	-	-	-	4	4	Fijn rood	000 ⇔ 255	0-100%
2	3	4	3	5	5	Groen	000 ⇔ 255	0-100%
-	-	-	-	6	6	Fijn groen	000 ⇔ 255	0-100%
3	4	5	4	7	7	Blauw	000 ⇔ 255	0-100%
-	-	-	-	8	8	Fijn blauw	000 ⇔ 255	0-100%
4	5	6	5	9	9	Amber	000 ⇔ 255	0-100%
-	-	-	-	10	10	Fijn amber	000 ⇔ 255	0-100%
5	6	7	6	11	11	Lime	000 ⇔ 255	0-100%
-	-	-	-	12	12	Fijn Lime	000 ⇔ 255	0-100%
-	7	8	7	13	13	Stroboscoop	000 ⇔ 010 011 ⇔ 255	Geen functie Stroboscoop, langzaam bis snel
-	-	9	8	-	14	Virtueel kleurenwiel	000 ⇔ 255	Raadpleeg de sectie Kleurenkaart voor specifieke waarden
-	-	10	9	-	15	Kleurtemperatuur	000 ⇔ 255	Raadpleeg de sectie Kleurtemperatuur-kaart voor specifieke waarden
-	-	-	10	-	-	Programma's Auto	000 ⇔ 010 011 ⇔ 060 061 ⇔ 110 111 ⇔ 160 161 ⇔ 210 211 ⇔ 255	Geen functie Automatische programma 1 Automatische programma 2 Automatische programma 3 Automatische programma 4 Automatische programma 5
-	-	-	11	-	-	Automatische snelheid	000 ⇔ 255	0-100%
-	-	-	12	-	16	Control (houd 3 seconden ingedrukt)	000 ⇔ 007 008 ⇔ 015 016 ⇔ 023 024 ⇔ 031 032 ⇔ 039 040 ⇔ 047 048 ⇔ 055 056 ⇔ 063 064 ⇔ 071 072 ⇔ 079 080 ⇔ 087 088 ⇔ 095 096 ⇔ 103 104 ⇔ 111 112 ⇔ 119 120 ⇔ 127 128 ⇔ 135 136 ⇔ 255	Geen functie Dimmer reset Rode Shift aan Rode Shift uit S-curve dimcurve Lineaire dimcurve Vierkante dimcurve Omgekeerde vierkante dimcurve Dimmer modus aan Dimmer modus 1 Dimmer modus 2 Dimmer modus 3 X-Fade Snelheid: OFF X-Fade Snelheid: 1 (snelste) X-Fade Snelheid: 2 X-Fade Snelheid: 3 X-Fade Snelheid: 4 (langzaamste) Gereserveerd voor toekomstig gebruik

3Ch / 1Ch

1Ch	3Ch	Functie	Waarde	Percentage/instelling
1	1	Dimmer	000 ⇔ 255	0–100%
–	2	Virtueel kleurenwiel	000 ⇔ 255	Raadpleeg de sectie Kleurenkaart voor specifieke waarden
–	3	Kleurtemperatuur	000 ⇔ 255	Raadpleeg de sectie Kleurtemperatuur-kaart voor specifieke waarden

HSV

Kanaal	Functie	Waarde	Percentage/instelling
1	Tint	000 ⇔ 255	0–100%
2	Verzadiging	000 ⇔ 255	0–100%
3	Waarde	000 ⇔ 255	0–100%

Contact Us

General Information	Technical Support
Chauvet World Headquarters	
Address: 5200 NW 108th Ave. Sunrise, FL 33351 Voice: (954) 577-4455 Fax: (954) 929-5560 Toll Free: (800) 762-1084	Voice: (844) 393-7575 Fax: (954) 756-8015 Email: chauvetcs@chauvetlighting.com Website: www.chauvetprofessional.com
Chauvet U.K.	
Address: Unit 1C Brookhill Road Industrial Estate Pinxton, Nottingham, UK NG16 6NT Voice: +44 (0) 1773 511115 Fax: +44 (0) 1773 511110	Email: UKtech@chauvetlighting.eu Website: www.chauvetprofessional.eu
Chauvet Benelux	
Address: Stokstraat 18 9770 Kruishoutem Belgium Voice: +32 9 388 93 97	Email: BNLtech@chauvetlighting.eu Website: www.chauvetprofessional.eu
Chauvet France	
Address: 3, Rue Ampère 91380 Chilly-Mazarin France Voice: +33 1 78 85 33 59	Email: FRtech@chauvetlighting.fr Website: www.chauvetprofessional.eu
Chauvet Germany	
Address: Bruno-Bürgel-Str. 11 28759 Bremen Germany Voice: +49 421 62 60 20	Email: DEtech@chauvetlighting.de Website: www.chauvetprofessional.eu
Chauvet Mexico	
Address: Av. de las Partidas 34 - 3B (Entrance by Calle 2) Zona Industrial Lerma Lerma, Edo. de México, CP 52000 Voice: +52 (728) 690-2010	Email: servicio@chauvet.com.mx Website: www.chauvetprofessional.mx

Visit the applicable website above to verify our contact information and instructions to request support. Outside the US, UK, Ireland, Mexico, France, Germany, or Benelux, contact the dealer of record.

