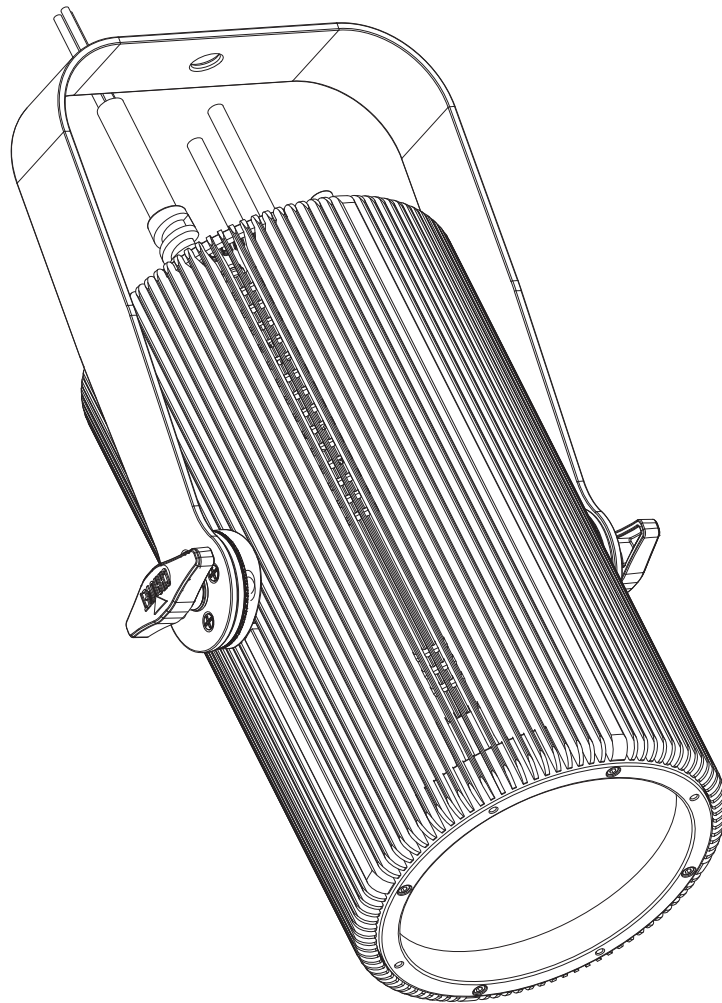


OVATION

H-605FC

User Manual




CHAUVET
PROFESSIONAL

EDITION NOTES

The Ovation H-605FC User Manual includes a description, safety precautions, installation, programming, operation and maintenance instructions for the Ovation H-605FC as of the release of this edition.

Trademarks

CHAUVET, the Chauvet logo and Ovation H-605FC are registered trademarks or trademarks of Chauvet & Sons, LLC (d/b/a Chauvet and Chauvet Lighting) in the United States and other countries. Other company and product names and logos referred to herein may be trademarks of their respective companies.

Copyright Notice

The works of authorship contained in this manual, including, but not limited to, all design, text and images are owned by Chauvet.

© Copyright 2020 Chauvet & Sons, LLC. All rights reserved.

Electronically published by Chauvet in the United States of America.

Manual Use

Chauvet authorizes its customers to download and print this manual for professional information purposes only. Chauvet expressly prohibits the usage, copy, storage, distribution, modification, or printing of this manual or its content for any other purpose without written consent from Chauvet.

Document Printing

For best results, print this document in color, on letter size paper (8.5 x 11 in), double-sided. If using A4 paper (210 x 297 mm), configure the printer to scale the content accordingly.

Intended Audience

Any person installing, operating, and/or maintaining this product should completely read through the guide that shipped with the product, as well as this manual, before installing, operating, or maintaining this product.

Disclaimer

Chauvet believes that the information contained in this manual is accurate in all respects. However, Chauvet assumes no responsibility and specifically disclaims any and all liability to any party for any loss, damage or disruption caused by any errors or omissions in this document, whether such errors or omissions result from negligence, accident or any other cause. Chauvet reserves the right to revise the content of this document without any obligation to notify any person or company of such revision, however, Chauvet has no obligation to make, and does not commit to make, any such revisions. Download the latest version from www.chauvetprofessional.com

Document Revision

This Ovation H-605FC User Manual is the 6th edition of this document. Go to www.chauvetprofessional.com for the latest version.

TABLE OF CONTENTS

1. Before You Begin	3
What Is Included	3
Claims	3
Manual Conventions	3
Symbols	3
Safety Notes.....	4
Personal Safety	4
Mounting and Rigging	4
Power and Wiring.....	4
Operation	4
Expected LED Lifespan.....	4
2. Introduction	5
Description	5
Features	5
Product Overview.....	6
Product Dimensions.....	7
3. Setup	8
AC Power.....	8
AC Plug	8
Fuse Replacement.....	8
DMX Linking.....	9
DMX Personalities.....	9
Alternate DMX Access Diagram.....	9
Master/Slave Connectivity.....	9
RDM (Remote Device Management).....	10
Wireless Operation.....	10
Mounting	11
Orientation.....	11
Rigging	11
Procedure.....	11
4. Operation	12
Control Panel Operation.....	12
Control Options	12
Programming.....	12
Menu Map	12
Configuration (DMX)	15
DMX Personalities.....	15
DMX Control.....	15
DMX Values	16
16 Ch.....	16
13 Ch.....	16
12 Ch.....	17
10 Ch.....	17
7Ch.....	18
5 Ch.....	18
3Ch.....	18
HSV	18
1Ch.....	18
Configuration (Standalone)	19
Auto Programs	19
Master/Slave	19
White Balance	19

Virtual Color Wheel	20
Manual Color Mixer	20
Color Temperature	20
Dimmer Profiles.....	20
LED Frequency	20
Back Light	20
Wireless Settings	20
Fixture Hours/Software Version	20
RDM (Remote Device Management)	20
Emergency Mode	21
Factory Reset.....	21
Virtual Color Wheel	21
Virtual Color Wheel Chart	21
Preset Color Temperature Chart.....	22
5. Technical Information	23
Product Maintenance	23
6. Technical Specifications	24
7. Returns	25
8. Contact Us	26

1. BEFORE YOU BEGIN

What Is Included

- Ovation H-605FC
- 65°, 45° and 25° lenses
- 80° Filter
- Egg Crate
- Quick Reference Guide

Claims

Carefully unpack the product immediately and check the container to make sure all the parts are in the package and are in good condition.





If the box or the contents (the product and included accessories) appear damaged from shipping, or show signs of mishandling, notify the carrier immediately, not Chauvet. Failure to report damage to the carrier immediately may invalidate your claim. In addition, keep the box and contents for inspection.

For other issues, such as missing components or parts, damage not related to shipping, or concealed damage, file a claim with Chauvet within 7 days of delivery.

Manual Conventions

Convention	Meaning
1–512	A range of values
50/60	A set of values of which only one can be chosen
<SET>	A button on the product’s control panel
Settings	A product function or a menu option

Symbols

Symbol	Meaning
	Electrical warning. Not following these instructions may cause electrical damage to the product, accessories, or the user.
	Critical installation, configuration, or operation information. Not following these instructions may make the product not work, cause damage to the product, or cause harm to the operator.
	Important installation or configuration information. The product may not function correctly if this information is not used.
	Useful information.



Any reference to data or power connections in this manual assumes the use of Seetronic IP rated cables.



The term “DMX” used throughout this manual refers to the USITT DMX512-A digital data transmission protocol.

Safety Notes

Read all the following safety notes before working with this product. These notes contain important information about the installation, usage, and maintenance of this product.



This product contains no user-serviceable parts. Any reference to servicing in this User Manual will only apply to properly trained, certified technicians. Do not open the housing or attempt any repairs.



All applicable local codes and regulations apply to proper installation of this product.

Personal Safety

- Avoid direct eye exposure to the light source while the product is on.
- Always disconnect the product from the power source before cleaning or replacing the fuse.
- Always connect the product to a grounded circuit to avoid the risk of electrocution.
- Do not touch the product's housing when operating because it may be very hot.

Mounting and Rigging

- This product is for indoor use only! To prevent risk of fire or shock, do not expose this product to rain or moisture. (IP20)
- CAUTION: When transferring product from extreme temperature environments, (e.g. cold truck to warm humid ballroom) condensation may form on the internal electronics of the product. To avoid causing a failure, allow product to fully acclimate to the surrounding environment before connecting it to power.
- Mount this product in a location with adequate ventilation, at least 20 in (50 cm) from adjacent surfaces.
- Make sure there are no flammable materials close to this product while it is operating.
- When hanging this product, always secure to a fastening device using a safety cable.
- Never carry the product by the power cord.

Power and Wiring

- Make sure the power cord is not crimped or damaged.
- Always make sure you are connecting this product to the proper voltage in accordance with the specifications in this manual or on the product's specification label.
- To eliminate unnecessary wear and improve its lifespan, during periods of non-use completely disconnect the product from power via breaker or by unplugging it.
- Never connect this product to a dimmer pack or rheostat.
- Make sure to replace the fuse with another of the same type and rating.
- Never disconnect this product by pulling or tugging on the power cable.

Operation

- Do not operate this product if there is damage on the housing, lenses, or cables. Have the damaged parts replaced by an authorized technician at once.
- Do not cover the ventilation slots when operating to avoid internal overheating.
- The maximum ambient temperature is 113 °F (45 °C). Do not operate the product at higher temperatures.
- In the event of a serious operation problem, stop using this product immediately!



If your Chauvet product requires service, contact Chauvet Technical Support.

Expected LED Lifespan

Over time, use and heat will gradually reduce LED brightness. Clustered LEDs produce more heat than single LEDs, contributing to shorter lifespans if always used at full intensity. The average LED lifespan is 40,000 to 50,000 hours. To extend LED lifespan, maintain proper ventilation around the product, and limit the overall intensity.

2. INTRODUCTION

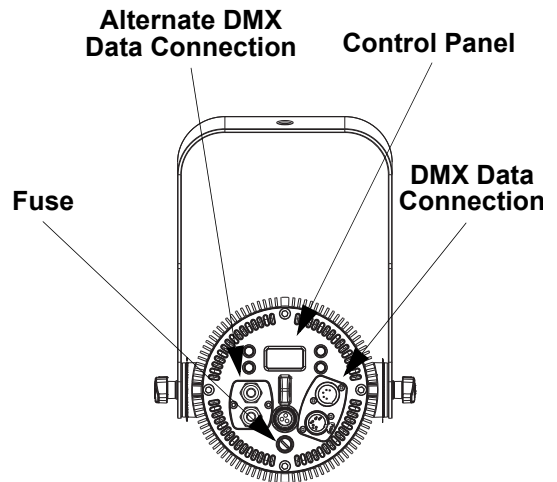
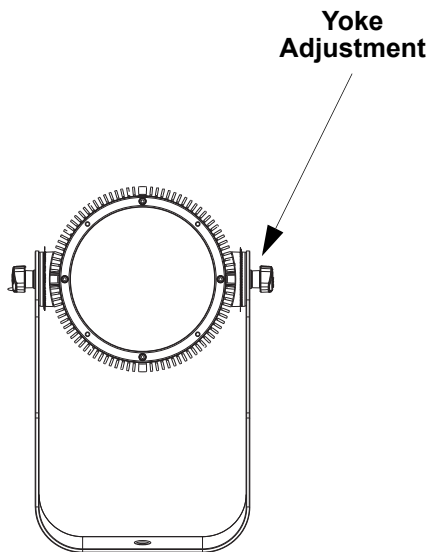
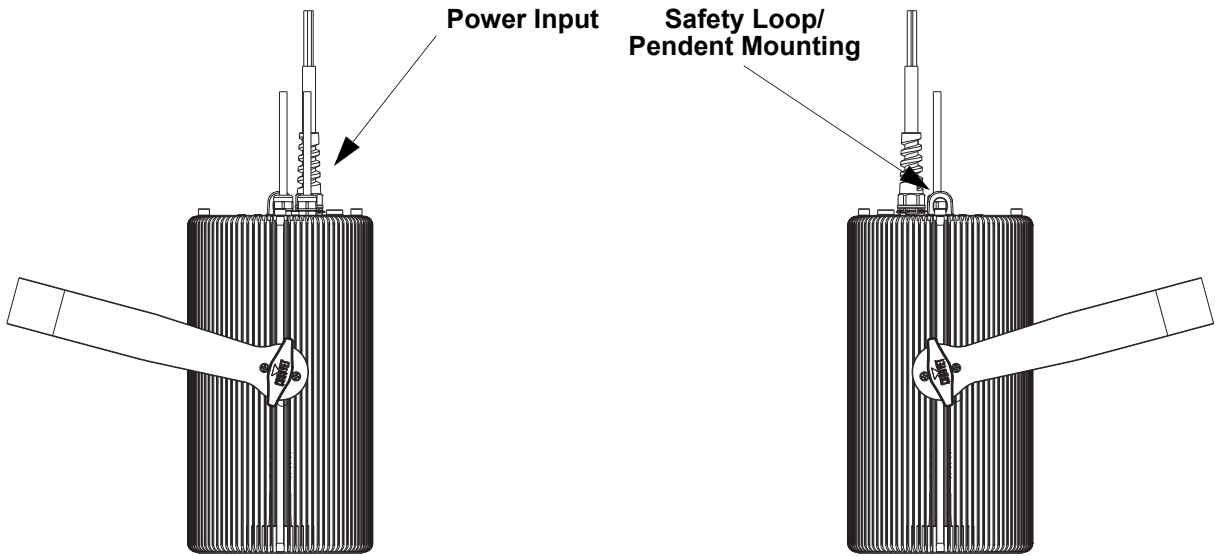
Description

The Ovation H-605FC is a silent LED house light that features full spectrum of hues with RGBAL LEDs. It comes standard with interchangeable lenses for adjustments for differing heights, 5-pin DMX and installed terminals for permanent and temporary installations. The product also features 16-bit dimming response, remote device management, and has adjustable PWM (pulse width modulation) to avoid flickering in filmed environments.

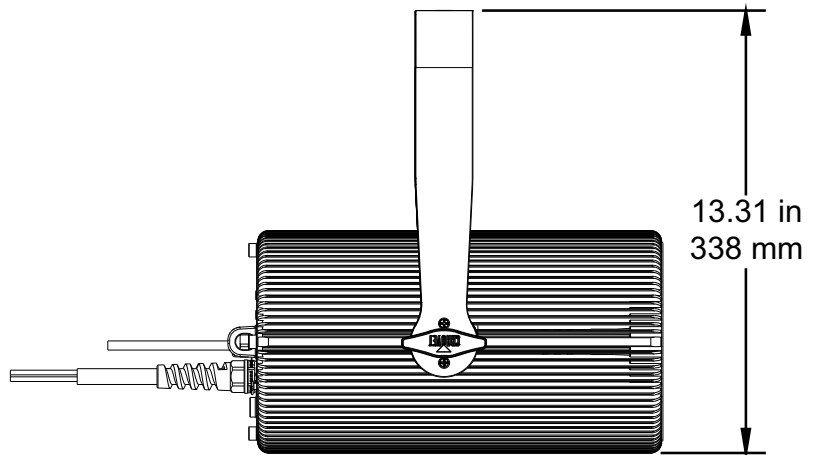
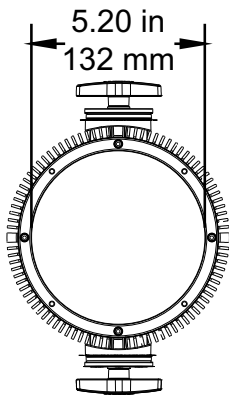
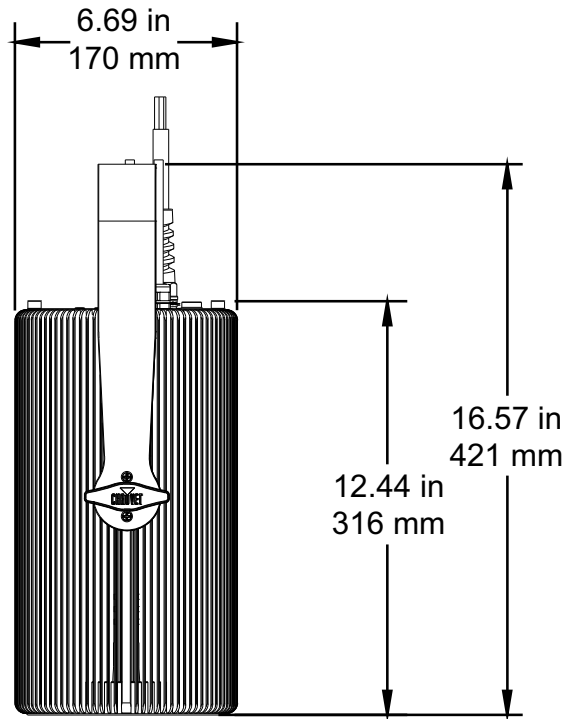
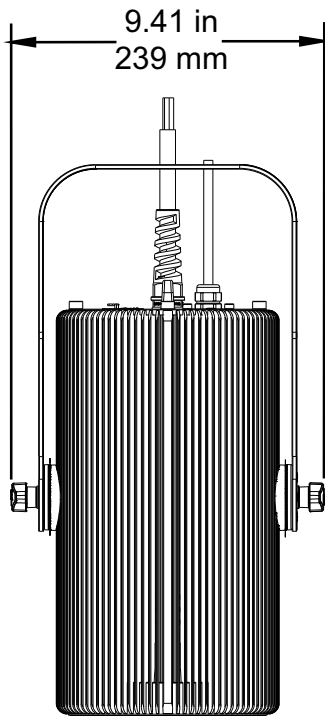
Features

- 1, 3, 5, 7, 10, 12, 13 or 16-channel full color LED wash product
- Operating modes:
 - 1-channel: RGBAL, virtual color wheel, or color temperature
 - 3-channel: hue, saturation, value
 - 5-channel: dimmer, virtual color wheel, color temperature
 - 5-channel: RGBAL
 - 7-channel: RGBAL, dimmer, strobe
 - 10-channel: 16-bit dimmer, RGBAL, virtual color wheel, color temperature, strobe
 - 12-channel: RGBAL, dimmer, virtual color wheel, color temperature, strobe, auto program, auto speed, dimmer speed, control
 - 13-channel: 16-bit RGBAL and dimmer, strobe
 - 16-channel: 16-bit RGBAL and dimmer, virtual color wheel, color temperature, strobe, control
- Full Color LED (RGBAL), convection cooled house light
- Interchangeable lens plates to adapt to different mounting heights
- 5-pin XLR and terminal blocks for DMX connections
- Use included yoke for pipe mounting, or suspend from integrated loop-eye
- Virtual color wheel with color matched to popular gel colors
- Color Temperature Presets from 2,800 K to 6,500 K with high CRI & CQS
- 16-bit dimming for ultra-smooth fades
- DMX, WDMX and RDM (Remote Device Management) for added programming flexibility
- Adjustable PWM (Pulse Width Modulation) to avoid flickering on camera

Product Overview



Product Dimensions



3. SETUP

AC Power

Each Ovation H-605FC has an auto-ranging power supply that works with an input voltage range of 100 to 240 VAC, 50/60 Hz. To determine the power requirements for each Ovation H-605FC, refer to the label affixed to the product. You can also refer to the Technical Specifications chart in this manual.

The listed current rating indicates the maximum current draw during normal operation. For more information, download Sizing Circuit Breakers from the Chauvet website: www.chauvetprofessional.com.



- **Always connect the product to a protected circuit (circuit breaker or fuse). Make sure the product has an appropriate electrical ground to avoid the risk of electrocution or fire.**
- **To eliminate unnecessary wear and improve its lifespan, during periods of non-use completely disconnect the product from power via breaker or by unplugging it.**



Never connect the product to a rheostat (variable resistor) or dimmer circuit, even if the rheostat or dimmer channel serves only as a 0 to 100% switch.

AC Plug

The Ovation H-605FC comes with a bare ended power input cord. The product side of this power cord enters the product through a strain reliever (rubber boot) and it cannot be disconnected from the product. Use the table below to wire the plug to the power cord.

Connection	Wire (U.S.)	Wire (Europe)	Screw Color
AC Live	Black	Brown	Yellow or Brass
AC Neutral	White	Blue	Silver
AC Ground	Green/Yellow	Green/Yellow	Green



The Ovation H-605FC includes a 15 ft., (4.5 m) cable attached to allow for pendent mounting

Fuse Replacement

1. Disconnect this product from the power outlet.
2. Using a flat-head screwdriver, unscrew the fuse holder cap from the housing.
3. Remove the blown fuse and replace with another fuse of the same type and rating (T 3.15 A, 250 V).
4. Screw the fuse holder cap back in place and reconnect power.



Make sure to disconnect the product's power cord before replacing a blown fuse. Always replace the blown fuse with another of the same type and rating.

DMX Linking

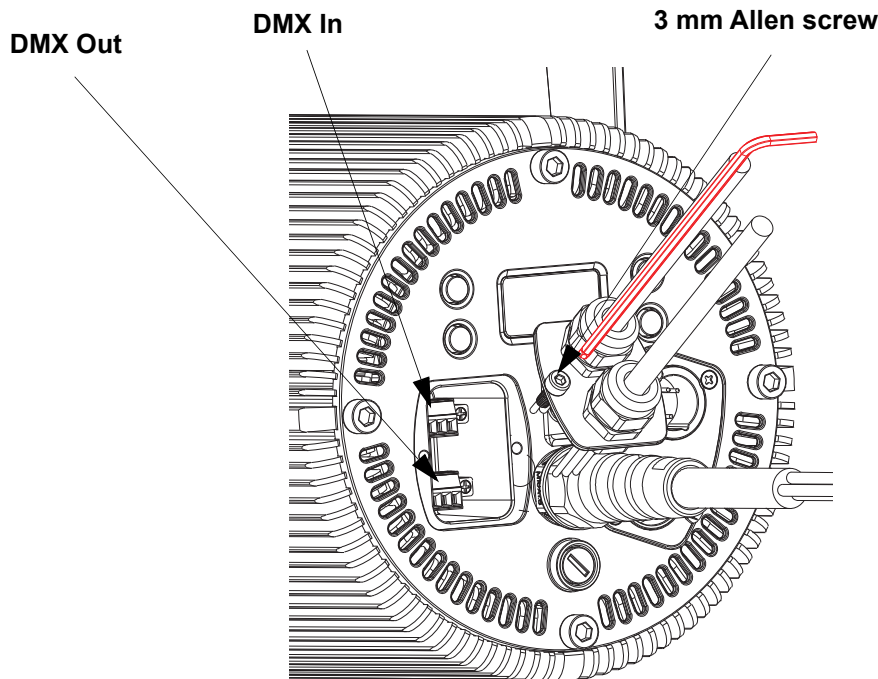
You can link the Ovation H-605FC to a DMX controller using a 5-pin DMX connection or hard wiring using the Phoenix connector. If using other DMX-compatible products with this product, you can control each individually with a single DMX controller.

DMX Personalities

The Ovation H-605FC uses a DMX data connection for the 1-, 3-, 5-, 7-, 10-, 12-, 13-, 16-channel or HSV DMX personalities.

- Refer to the Introduction for a brief description of each DMX personality.
- Refer to the Operation chapter to learn how to configure the Ovation H-605FC to work in these personalities.
- The DMX Values section provides detailed information regarding the DMX personalities.

Alternate DMX Access Diagram



Master/Slave Connectivity

The Master/Slave mode allows a Ovation H-605FC (the master) to control one or more Ovation H-605FC products (the slaves) without a DMX controller. One Ovation H-605FC becomes the master when running an auto or custom program, or by being in a Static mode.

You must configure each slave's control panel to operate in Slave mode. During Master/Slave operation, the slaves will operate in unison with the master.



DO NOT connect a DMX controller to products operating in Master/Slave mode. The DMX controller signals may interfere with the signals from the master.



- The [Operation](#) section of this manual provides detailed instructions on how to configure the master and slaves.
- If you are not familiar with DMX standards or Master/Slave connectivity, download the DMX Primer from the Chauvet website www.chauvetprofessional.com for more information.

RDM (Remote Device Management)

Remote Device Management, or RDM, is a standard for allowing DMX-enabled devices to communicate bi-directionally along existing DMX cabling. The Ovation H-605FC supports RDM protocol that allows feedback to monitor temperature and changes to DMX Address and DMX Channel menu options. Download the User Manual from www.chauvetprofessional.com for more details.

Wireless Operation

In optimal conditions, the Ovation H-605FC can operate up to 300 m (900 ft) away from the W-DMX transmitter. The W-DMX receiver in the Ovation H-605FC must be paired with the W-DMX transmitter for wireless operation.

Initial Setup

1. Turn the W-DMX transmitter on.
2. Connect the W-DMX transmitter to a DMX controller.
3. Place the Ovation H-605FC within 300 m from the W-DMX transmitter.
4. Disconnect any DMX cable from the Ovation H-605FC.
5. Turn the Ovation H-605FC on.

Configuration

1. From the Ovation H-605FC control panel, go to **DMX Address**.
2. Select the start address, as with any other DMX compatible product.
3. Go to **Wireless Setting > Receive On/Off**.
4. Select **On**. (The Signal Strength Indicator will show a ? in front of the bars)
5. Press the reset button on the W-DMX transmitter. (The Signal Strength Indicator on the Ovation H-605FC will show a ⚡ in front of the bars for 3 seconds while a connection is established.)

Product Pairing

If the Ovation H-605FC has already been paired with the W-DMX transmitter, the Signal Strength Indicator in the middle of the LCD screen will show the strength of the signal. In this case, the Ovation H-605FC is ready to work in Wireless mode. Pairing the Ovation H-605FC and a new W-DMX transmitter

1. From the Ovation H-605FC's control panel, go to **Wireless Setting**.
2. Select **Receive Reset**. The Signal Strength Indicator on the Ovation H-605FC will show a ? in front of the bars.
3. From the W-DMX transmitter, press **<RESET>** (the Signal Indicator on the transmitter will flash).
4. Once the transmitter has found the Ovation H-605FC, the Signal indicator on the W-DMX transmitter will illuminate solid.
5. The Signal Strength Indicator in the middle of the LCD screen on the Ovation H-605FC will show the strength of the signal.



W-DMX operation can be interrupted or inhibited by liquid masses between the transmitter and receiver such as water, snow, or people. For best results, keep the area between the transmitter and receiver clear of any liquid mass.

Mounting

Before mounting the product, read and follow the safety recommendations indicated in the Safety Notes. For our CHAUVET Professional line of mounting clamps, go to <http://trusst.com/products/>.

Orientation

Always mount this product in a safe position, making sure there is adequate room for ventilation, configuration, and maintenance.

Rigging

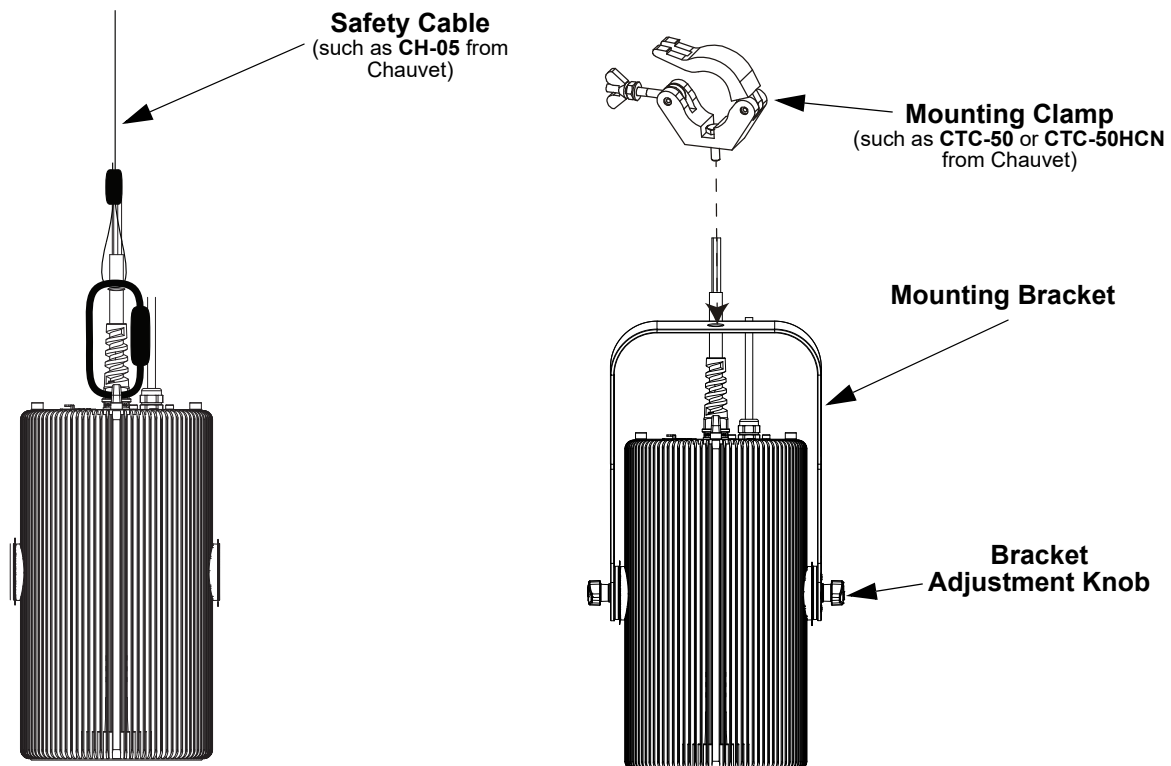
Chauvet recommends using the following general guidelines when mounting this product.

- Before deciding on a location for the product, make sure there is easy access to the product for maintenance and programming purposes.
- Make sure that the structure onto which you are mounting the product can support the product's weight. See the [Technical Specifications](#) for weight information.
- When mounting the product overhead, always use a safety cable. Mount the product securely to a rigging point, whether an elevated platform or a truss.
- When rigging the product onto a truss, use a mounting clamp of appropriate weight capacity.
- When power linking multiple products, mount the products close enough for power linking cables to reach.
- The bracket adjustment knobs allow for directional adjustment when aiming the product to the desired angle. Only loosen or tighten the bracket knobs manually. Using tools could damage the knobs.

Procedure

The Ovation H-605FC comes with a double-bracketed yoke to which you can either attach mounting clamps for hanging or simply use as a floor stand. You must supply the mounting clamps. Make sure the clamps are capable of supporting the weight of this product. Use at least one mounting point per product. For the CHAUVET Professional line of mounting clamps, go to <http://www.trusst.com/products>.

Mounting Diagram



4. OPERATION

Control Panel Operation

Button	Function
<MENU>	Exits from the current menu or function
<ENTER>	Enables the currently displayed menu or sets the currently selected value in to the current function
<UP>	Navigates upward through the menu list or increases the numeric value when in a function
<DOWN>	Navigates downward through the menu list or decreases the numeric value when in a function

Control Options

Set the Ovation H-605FC starting address in the 001–512 DMX range. This enables control of up to 34 products in the 15-channel 15CH personality.

Programming

Refer to the Menu Map to understand the menu options. The menu map shows the main level and a variable number of programming levels for each option.

- To go to the desired main level, press <MENU> repeatedly until the option shows on the display. Press <ENTER> to select. This will take you to the first programming level for that option.
- To select an option or value within the current programming level, press <UP> or <DOWN> until the option shows on the display. Press <ENTER> to select. In this case, if there is another programming level, you will see that first option, or you will see the selected value.
- Press <MENU> repeatedly to exit to the previous main level.

Menu Map

Main Level	Programming Levels		Description
DMX Address	Address	001–512*	Selects starting address (*highest channel restricted to personality chosen)
DMX Channel	1CH	Virtual Color Wheel	1-channel: RGBAL, virtual color wheel, or color temperature
		Color Temperature	
		Manual Color Mixer	
		3CH	3-channel: dimmer, virtual color wheel, color temperature
		5CH	5-channel: RGBAL
		7CH	7-channel: RGBAL, dimmer, strobe
		10CH	10-channel: 16-bit dimmer, RGBAL, virtual color wheel, color temperature, strobe
		12CH	12-channel: RGBAL, dimmer, virtual color wheel, color temperature, red shift, strobe, auto program, auto speed, dimmer speed
		13CH	13-channel: 16-bit RGBAL and dimmer, strobe
	16CH	16-channel: 16-bit RGBAL and dimmer, virtual color wheel, color temperature, strobe, red shift	
	HSV	3-channel: hue, saturation, value	

Main Level	Programming Levels		Description	
VCW (Virtual Color Wheel)	VCW (Virtual Color Wheel)	C3050 - Md Yellow	Dimmer 000–255	
		C3040 - Lt Yellow		
		C3240 - Amb Yellow		
		C2340 - VLt Amber		
		C2040 - Lt Amber		
		C2050 - Md Amber		
		C2060 - Dk Amber		
		C1050 - Lt Red		
		C1080 - Md Red		
		C1020 - NC Pink		
		C1030 - Md Pink		
		C1630 - Dk Pink		
		C1250 - Md Red Amber		
		C1060 - Dk Red Amber		
		C1650 - Magenta		
		C6170 - Dk Magenta		
		C6020 - Lt Lavender		
		C5030 - Lt Blue		
		C5020 - VLt Blue		
		C5430 - Lt Blue 2		
		C5070 - Blue		
		C5050 - Md Blue		
		C5060 - Dk Blue		
		C5690 - Indigo		
		C5080 - VDk Blue		
		C5081 - VDk Blue 2		
		C4370 - Yel Green		
	C4070 - Green			
	C4550 - Turquoise			
	C4560 - Aqua			
	C4570 - Blue Green			
	CCT (Color Temperature)	2800K		000–255
		3200K		
		3500K		
		4000K		
		4500K		
		5000K		
5600K				
6000K				
6500K				
MCM (Manual Color Mixer)	Red	000–255		
	Green			
	Blue			
	Amber			
	Lime			
Auto Show	Auto 1	1–100		
	Auto 2			
	Auto 3			
	Auto 4			
	Auto 5			
Red Shift	On	000–255		
	Off			

Virtual Color Wheel simulates the output of each gel color. Refer to the [Virtual Color Wheel Chart](#) section for specific values.

Preset white color temperatures. Emulates a tungsten lamp at the specified color temperature. Refer to the [Preset Color Temperature Chart](#) section for specific values.

Combine red, green, blue, amber, and lime to make a custom color (0–100%)

Selects automatic programs and auto program speed

Mimics halogen lamp dimming

Main Level	Programming Levels			Description
Master/Slave	Master			Master mode
	Slave			Slave mode
Dimmer Curve	Linear			Sets the dimmer curve
	Square			
	I Square			
	SCurve			
Dimmer Mode	Off			Linear dimmer
	Dimmer 1			Fast dimmer curve
	Dimmer 2			Medium dimmer curve
	Dimmer 3			Slow dimmer curve
White Balance	Off			Uses factory default white setting
	Manual	Red	125–255	Sets red LED maximum value
		Green		Sets green LED maximum value
		Blue		Sets blue LED maximum value
		Amber		Sets amber LED maximum value
		Lime		Sets lime LED maximum value
LED Frequency	600Hz			Selects the PWM output frequency
	1200Hz			
	2000Hz			
	4000Hz			
	6000Hz			
	25KHz			
Back Light	10S			Turns off display backlight after 10 sec of inactivity
	30S			Turns off display backlight after 30 sec of inactivity
	2 Min			Turns off display backlight after 2 minutes of inactivity
	Always On			Display backlight always on
Wireless Setting	Receive On/Off	On	Turns on the wireless setting	
		Off	Turns wireless DMX function off	
	Receive Reset	No	Resets and pairs the Ovation H-605FC with a wireless transmitter	
		Yes		
Emergency Mode	On			Turns product on when DMX signal is lost
	Off			No action is taken when DMX signal is lost
Information	Fixture Hours	----H		Shows total hours the product has been powered on
	LED Hours	----H		Shows the total hours the LED lights have been on
	Version	V_._		Shows installed software version
	UID	-----		Shows product UID
Factory Setting	No			Reset to factory defaults
	Yes			

Configuration (DMX)

Use DMX configurations to operate the product with a DMX controller.

DMX Personalities

This setting allows you to choose a particular DMX personality.

1. Go to the **DMX Channel** main level.
2. Select the desired personality (**1CH, 3CH, 5CH, 7CH, 10CH, 12CH, 13CH, 16CH, or HSV**).



- **Make sure that the starting addresses on the various products do not overlap due to the new personality setting.**
- **Program the Channel 1 personality by choosing the attribute in the Menu Map**

DMX Control

In this mode, each product will respond to a unique starting address from the DMX controller. All products with the same starting address will respond in unison.

1. Select a DMX personality as shown in [DMX Personalities](#).
2. Set the starting address:
 - a. Go to **DMX Address** main level.
 - b. Select the starting address (**001–510**).

The highest recommended starting address for each DMX mode is as follows:

DMX Personality	DMX Address
16	498
13	500
12	501
10	503
7	506
5	508
3	510
1	512

DMX Values

16 Ch

Channel	Function	Value	Percent/Setting
1	Dimmer	000 ⇄ 255	0–100%
2	Fine Dimmer	000 ⇄ 255	0–100%
3	Red	000 ⇄ 255	0–100%
4	Fine Red	000 ⇄ 255	0–100%
5	Green	000 ⇄ 255	0–100%
6	Fine Green	000 ⇄ 255	0–100%
7	Blue	000 ⇄ 255	0–100%
8	Fine Blue	000 ⇄ 255	0–100%
9	Amber	000 ⇄ 255	0–100%
10	Fine Amber	000 ⇄ 255	0–100%
11	Lime	000 ⇄ 255	0–100%
12	Fine Lime	000 ⇄ 255	0–100%
13	Strobe	000 ⇄ 010 011 ⇄ 255	No function Strobe, slow to fast
14	Virtual Color Wheel	000 ⇄ 255	Refer to the Virtual Color Wheel Chart section for specific values
15	Color Temperature	000 ⇄ 255	Refer to the Preset Color Temperature Chart section for specific values
16	Control (hold for 3 seconds, then release)	000 ⇄ 007 008 ⇄ 015 016 ⇄ 023 024 ⇄ 031 032 ⇄ 039 040 ⇄ 047 048 ⇄ 055 056 ⇄ 063 064 ⇄ 071 072 ⇄ 079 080 ⇄ 087 088 ⇄ 095 096 ⇄ 255	No function Dimmer Reset Red Shift On Red Shift Off Dimmer: S-Curve Dimmer: Linear Dimmer: Square Dimmer: Inverse Square Dimmer Mode: Off Dimmer Mode 1 Dimmer Mode 2 Dimmer Mode 3 No function

13 Ch

Channel	Function	Value	Percent/Setting
1	Dimmer	000 ⇄ 255	0–100%
2	Fine Dimmer	000 ⇄ 255	0–100%
3	Red	000 ⇄ 255	0–100%
4	Fine Red	000 ⇄ 255	0–100%
5	Green	000 ⇄ 255	0–100%
6	Fine Green	000 ⇄ 255	0–100%
7	Blue	000 ⇄ 255	0–100%
8	Fine Blue	000 ⇄ 255	0–100%
9	Amber	000 ⇄ 255	0–100%
10	Fine Amber	000 ⇄ 255	0–100%
11	Lime	000 ⇄ 255	0–100%
12	Fine Lime	000 ⇄ 255	0–100%
13	Strobe	000 ⇄ 010 011 ⇄ 255	No function Strobe, slow to fast

OPERATION

12 Ch

Channel	Function	Value	Percent/Setting
1	Dimmer	000 ⇔ 255	0–100%
2	Red	000 ⇔ 255	0–100%
3	Green	000 ⇔ 255	0–100%
4	Blue	000 ⇔ 255	0–100%
5	Amber	000 ⇔ 255	0–100%
6	Lime	000 ⇔ 255	0–100%
7	Strobe	000 ⇔ 010 011 ⇔ 255	No function Strobe, slow to fast
8	Virtual Color Wheel 1	000 ⇔ 255	Refer to the Virtual Color Wheel Chart section for specific values
9	Color Temperature	000 ⇔ 255	Refer to the Preset Color Temperature Chart section for specific values
10	Auto Programs	000 ⇔ 010 011 ⇔ 060 061 ⇔ 110 111 ⇔ 160 161 ⇔ 210 211 ⇔ 255	No function Auto program 1 Auto program 2 Auto program 3 Auto program 4 Auto program 5
11	Auto Speed	000 ⇔ 255	0–100%
12	Control	000 ⇔ 007 008 ⇔ 015 016 ⇔ 023 024 ⇔ 031 032 ⇔ 039 040 ⇔ 047 048 ⇔ 055 056 ⇔ 063 064 ⇔ 071 072 ⇔ 079 080 ⇔ 087 088 ⇔ 095 096 ⇔ 255	No function Dimmer Reset Red Shift On Red Shift Off Dimmer: S-Curve Dimmer: Linear Dimmer: Square Dimmer: Inverse Square Dimmer Mode: Off Dimmer Mode 1 Dimmer Mode 2 Dimmer Mode 3 No function

10 Ch

Channel	Function	Value	Percent/Setting
1	Dimmer	000 ⇔ 255	0–100%
2	Dimmer Fine	000 ⇔ 255	0–100%
3	Red	000 ⇔ 255	0–100%
4	Green	000 ⇔ 255	0–100%
5	Blue	000 ⇔ 255	0–100%
6	Amber	000 ⇔ 255	0–100%
7	Lime	000 ⇔ 255	0–100%
8	Strobe	000 ⇔ 010 011 ⇔ 255	No function Strobe, slow to fast
9	Virtual Color Wheel	000 ⇔ 255	Refer to the Virtual Color Wheel Chart section for specific values
10	Color Temperature	000 ⇔ 255	Refer to the Preset Color Temperature Chart section for specific values

7Ch

Channel	Function	Value	Percent/Setting
1	Dimmer	000 ⇄ 255	0–100%
2	Red	000 ⇄ 255	0–100%
3	Green	000 ⇄ 255	0–100%
4	Blue	000 ⇄ 255	0–100%
5	Amber	000 ⇄ 255	0–100%
6	Lime	000 ⇄ 255	0–100%
7	Strobe	000 ⇄ 010 011 ⇄ 255	No function Strobe, slow to fast

5 Ch

Channel	Function	Value	Percent/Setting
1	Red	000 ⇄ 255	0–100%
2	Green	000 ⇄ 255	0–100%
3	Blue	000 ⇄ 255	0–100%
4	Amber	000 ⇄ 255	0–100%
5	Lime	000 ⇄ 255	0–100%

3Ch

Channel	Function	Value	Percent/Setting
1	Dimmer	000 ⇄ 255	0–100%
2	Virtual Color Wheel	000 ⇄ 255	Refer to the Virtual Color Wheel Chart section for specific values
3	Color Temperature	000 ⇄ 255	Refer to the Preset Color Temperature Chart section for specific values

HSV

Channel	Function	Value	Percent/Setting
1	Hue	000 ⇄ 255	0–100%
2	Saturation	000 ⇄ 255	0–100%
3	Value	000 ⇄ 255	0–100%

1Ch

Channel	Function	Value	Percent/Setting
1	Set in Menu Map	000 ⇄ 255	0–100%

Configuration (Standalone)

Use standalone configuration to operate the product without a DMX controller.

Auto Programs

Auto programs allow for dynamic RGBAL color mixing without a DMX controller.

1. Go to the **Auto Show** main level.
2. Select the desired auto (**Auto 1–5**).
3. Select the desired speed (**Speed 0–100**).



The auto programs cannot be edited.

Red Shift

The Red Shift function causes the amber LEDs to imitate the appearance of a halogen lamp when dimming.

To adjust the Red Shift function, do the following:

1. Go to the **Red Shift** main level.
2. Select **On** or **Off**.

Master/Slave

The Master/Slave mode allows a group of Ovation H-605FC products (the slaves) to simultaneously duplicate the output of another Ovation H-605FC (the master) without a DMX controller.

To set each of the slaves:

1. Go to the **Master/Slave** main level.
2. Select **Slave**.

To set the master:

1. Go to the **Master/Slave** main level.
2. Select **Master**.
3. Select an auto program as explained in Auto Programs, or VCW.



- **The master is the one that runs a program whether in Auto Program or VCW modes.**
- **Do not connect a DMX controller to the products configured for Master/Slave operation. The DMX controller may interfere with signals from the master.**
- **The master should be the first product in the daisy chain.**

Dimmer Curve

To set the dimmer curve, follow the instructions below:

1. Go to the Dimmer Curve main level.
2. Select the desired option (**Linear**, **Square**, **ISquare**, or **SCurve**).

White Balance

This setting allows for selection of the white balance shown by the Ovation H-605FC when the color setting is **RGBAL** and the DMX controller's red, green, blue, amber, and lime faders are set to **255**.

1. Go to the **White Balance** main level.
2. Select **Manual** to continue to adjust the white balance or **Off** to default to the original factory setting.
3. Select a color (**Red**, **Green**, **Blue**, **Amber** or **Lime**).
4. Select a color value (**125–255**).
5. Repeat for the other colors.



The values of Red, Green, Blue, Amber and Lime configured will define the color temperature shown when the RGBAL faders are set to 255.

Virtual Color Wheel

The Virtual Color Wheel mode allows for preset popular colors RGBAL color mixing without a DMX controller.

1. Go to the **VCW** (Virtual Color Wheel) main level.
2. Select **VCW** (Virtual Color Wheel).
3. Select the desired color from the [Virtual Color Wheel Chart](#).
4. Press **<ENTER>** twice.
5. Use **<UP>** or **<DOWN>** to select the **Dimmer** value, from **000–255**.
6. Press **<ENTER>**.

Manual Color Mixer

The Manual Color Mixer mode allows for permanent RGBAL color mixing without a DMX controller.

1. Go to the **VCW** main level.
2. Select **MCM** (Manual Color Mixer).
3. Select the desired color (**Red, Green, Blue, Amber, or Lime**).
4. Select the color value (**000–255**).
5. Repeat for the other colors.

Color Temperature

The color temperature mode allows for permanent white color temperature presets without a DMX controller.

1. Go to the **VCW** main level.
2. Select **CCT** (Color Temperature).
3. Select the desired color (**2800K, 3200K, 3500K, 4000K, 4500K, 5000K, 5600K, 6000K, or 6500K**).

Dimmer Profiles

This setting determines how fast the output of the Ovation H-605FC changes when you modify the values of the red, green, blue, amber, and dimmer faders. This setting provides four different options to simulate the dimming curve of an incandescent lighting product.

- Go to the **Dimmer Mode** main level.
- Select a dimmer curve (**OFF, Dimmer 1, Dimmer 2, or Dimmer 3**).



OFF: The output is proportional (linear) to the dimmer and RGBAL channel values.

Dimmer 1–3: The output follows the dimmer and RGBAL channel values based on the corresponding dimmer curve, DIM1 being the fastest.

LED Frequency

This option changes the Pulse Width Modulation (PWM) frequency of the LEDs on the Ovation H-605FC.

1. Go to the **LED Frequency** main level.
2. Select PWM Frequency (**600Hz, 1200Hz, 2000Hz, 4000Hz, 6000Hz, or 25Khz**).

Back Light

This setting allows for selection of the amount of time the back light on the Ovation H-605FC's display stays on after the last button is pressed on the control panel.

1. Go to the **Back Light** main level.
2. Select **Always On** (remains on), **10S** (10 seconds), **30S** (30 seconds), or **2 Min** (2 minutes).

Wireless Settings

This mode allows you to control DMX wirelessly. For detailed setup of this feature see [Wireless Operation](#).

To disable this feature:

1. Go to **Wireless Setting**
2. Select **Receive On/Off**.
3. Select **Off**.

Fixture Hours/Software Version

This option displays the total number of hours the product has run, and the installed software version.

1. Go to the **Information** main level.
2. Select **Fixture Hours, LED Hours, Version, or UID**.

RDM (Remote Device Management)

This option displays the device UID#.

1. Go to the **Information** main level.
2. Select **UID**.

Emergency Mode

This feature can be set to turn on the Ovation H-605FC in the event DMX signal is lost.

1. Go to the **Emergency Mode** main level.
2. Select **Device ID**.

Factory Reset

This option restores the Ovation H-605FC to the original factory settings.

1. Go to the **Factory Setting** main level.
2. Select **Yes** or **No**.

Virtual Color Wheel

The Ovation H-605FC includes a feature called the Virtual Color Wheel (VCW). This feature is available as a stand-alone control mode for manual use and also as a control channel in select DMX personalities. Over 30 pre-mixed colors, custom blended by our engineers, are available to call up for easier programming.

The DMX values used to mix these colors are provided below. You may adjust the overall intensity of the Ovation fixture in order to more closely replicate colors you are familiar with. A chart is available on our website www.chauvetprofessional.com to compare our pre-mixed colors with popular gel colors. This chart is for comparison purposes only and is not a representation that our pre-mixed colors match any of the gel colors listed.

Virtual Color Wheel Chart

DMX Channel Value	Display Readout	Red Value	Green Value	Blue Value	Amber Value	Lime Value
000 ⇔ 005	--	000	000	000	000	000
006 ⇔ 013	C3050 - Md Yellow	233	163	020	123	255
014 ⇔ 021	C3040 - Lt Yellow	224	158	047	255	231
022 ⇔ 028	C3240 - Amb Yellow	180	060	000	245	255
029 ⇔ 035	C2340 - VLt Amber	245	107	081	255	213
036 ⇔ 043	C2040 - Lt Amber	230	130	062	255	155
044 ⇔ 051	C2050 - Md Amber	255	000	025	255	194
052 ⇔ 059	C2060 - Dk Amber	255	000	024	255	150
060 ⇔ 067	C1050 - Lt Red	255	037	027	030	038
068 ⇔ 075	C1080 - Md Red	255	004	017	000	000
076 ⇔ 083	C1020 - NC Pink	238	135	129	255	255
084 ⇔ 091	C1030 - Md Pink	255	131	120	255	195
092 ⇔ 099	C1630 - Dk Pink	250	165	123	255	210
100 ⇔ 107	C1250 - Md Red Amber	255	000	041	195	055
108 ⇔ 115	C1060 - Dk Red Amber	255	000	045	120	030
116 ⇔ 121	C1650 - Magenta	255	050	115	255	115
122 ⇔ 130	C6170 - Dk Magenta	255	035	117	000	000
131 ⇔ 138	C6020 - Lt Lavender	127	122	142	251	255
139 ⇔ 146	C5030 - Lt Blue	000	255	197	100	255
147 ⇔ 154	C5020 - VLt Blue	158	255	189	000	255
155 ⇔ 162	C5430 - Lt Blue 2	000	255	180	000	243
163 ⇔ 170	C5070 - Blue	043	255	210	043	036
171 ⇔ 178	C5050 - Md Blue	000	255	218	000	181
179 ⇔ 186	C5060 - Dk Blue	000	210	206	000	118
187 ⇔ 194	C5690 - Indigo	065	000	210	040	055
195 ⇔ 202	C5080 - VDk Blue	000	203	230	000	040
203 ⇔ 210	C5081 - VDk Blue 2	040	199	240	000	045
211 ⇔ 218	C4370 - Yel Green	027	255	028	016	104
219 ⇔ 226	C4070 - Green	049	255	055	120	090
227 ⇔ 234	C4550 - Turquoise	060	230	109	000	245
235 ⇔ 242	C4560 - Aqua	020	240	126	036	255
243 ⇔ 250	C4570 - Blue Green	000	255	079	030	053
251 ⇔ 255	--	000	000	000	000	000



Note: The colors above are simulated renditions of the color output produced as compared to other similar incandescent products. Chauvet makes no guarantee of the color output accuracy.

Preset Color Temperature Chart

DMX Channel Value	Display Readout	Red Value	Green Value	Blue Value	Amber Value	Lime Value
000 ⇔ 005	--	000	000	000	000	000
006 ⇔ 025	2800K	255	199	107	253	255
026 ⇔ 050	3200K	253	247	129	255	255
051 ⇔ 075	3500K	234	255	141	253	255
076 ⇔ 100	4000K	204	255	156	243	255
101 ⇔ 125	4500K	181	248	166	224	255
126 ⇔ 150	5000K	160	255	180	241	255
151 ⇔ 175	5600K	138	255	191	241	255
176 ⇔ 200	6000K	147	255	193	203	255
201 ⇔ 225	6500K	142	251	197	187	255
226 ⇔ 255	--	000	000	000	000	000



Note: The color temperatures above are simulated renditions of the color output produced as compared to a tungsten lamp at the specified color temperature. Chauvet makes no guarantee of the color output accuracy.

5. TECHNICAL INFORMATION

Product Maintenance

To maintain optimum performance and minimize wear, clean this product frequently. Usage and environment are contributing factors in determining the cleaning frequency.

Clean this product at least twice a month. Dust build-up reduces light output performance and can cause overheating. This can lead to reduced light source life and increased mechanical wear.

To clean the product:

1. Unplug the product from power.
2. Wait until the product is at room temperature.
3. Use a vacuum (or dry compressed air) and a soft brush to remove dust collected on the external vents.
4. Clean all transparent surfaces with a mild soap solution, ammonia-free glass cleaner, or isopropyl alcohol.
5. Apply the solution directly to a soft, lint free cotton cloth or a lens cleaning tissue.
6. Softly drag any dirt or grime to the outside of the transparent surface.
7. Gently polish the transparent surfaces until they are free of haze and lint.



Always dry the transparent surfaces carefully after cleaning them.

6. TECHNICAL SPECIFICATIONS

Dimensions and Weight

Length	Width	Height	Weight
13.11 in (333 mm)	9.44 in (240 mm)	13.34 in (339 mm)	19.6 lb (8.9 kg)

Note: Dimensions in inches rounded to the nearest hundredth.

Power

Power Supply Type	Range	Voltage Selection
Switching (internal)	100 to 240 VAC, 50/60 Hz	Auto-ranging
Parameter	120 V, 60 Hz	230 V, 50 Hz
Consumption	155 W	146 W
Operating Current	1.275 A	0.662 A
Fuse	T 3.15 A, 250 V	T 3.15 A, 250 V
Power I/O	U.S./Canada	Worldwide
Power input connector	Hard-wired	Hard-wired
Power Cord plug	Bare-wired	Bare-wired

Light Source

Type	Power	Lifespan
LED	2 to 3 W	50,000 hours
Color	Quantity	Current
RGBAL	12 each color	800 mA

Photometrics

Parameter	80° Filter	65° Lens	45° Lens	25° Lens
Beam Angle	40°	51°	39°	19°
Field Angle	80°	79°	66°	37°
Illuminance @ 5 m	163 lux	171 lux	349 lux	1,047 lux

Thermal

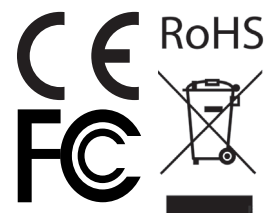
Maximum External Temperature	Cooling System
113 °F (45 °C)	Convection

DMX

I/O Connector	Channel Range
5-pin XLR, Phoenix connector	2, 4, 5, 8, 11, 13, 14 or 16

Ordering

Product Name	Item Code	UPC Number
Ovation H-605FC (White)	03031307	781462216559
Ovation H-605FC (Black)	03031315	781462216634



RETURNS

RETURNS

Send the product prepaid, in the original box, and with the original packing and accessories. Chauvet will not issue call tags.

Call Chauvet and request a Return Merchandise Authorization (RMA) number before shipping the product. Be prepared to provide the model number, serial number, and a brief description of the cause(s) for the return.

Clearly label the package with an RMA number. Chauvet will refuse any product returned without an RMA number.



Write the RMA number on a properly affixed label. DO NOT write the RMA number directly on the box.

Once you have the RMA number, provide the following information on a piece of paper and place it inside the box:

- Your name
- Your address
- Your phone number
- RMA number
- A brief description of the problem

Be sure to pack the product properly. Any shipping damage resulting from inadequate packaging will be your responsibility. FedEx packing or double-boxing are recommended.



Chauvet reserves the right to use its own discretion to repair or replace returned product(s).

CONTACT US

General Information	Technical Support
Chauvet World Headquarters	
Address: 5200 NW 108th Ave. Sunrise, FL 33351 Voice: (954) 577-4455 Fax: (954) 929-5560 Toll Free: (800) 762-1084	Voice: (844) 393-7575 Fax: (954) 756-8015 Email: chauvetcs@chauvetlighting.com Website: www.chauvetprofessional.com
Chauvet Europe Ltd	
Address: Unit 1C Brookhill Road Industrial Estate Pinxton, Nottingham, UK NG16 6NT Voice: +44 (0) 1773 511115 Fax: +44 (0) 1773 511110	Email: UKtech@chauvetlighting.eu Website: www.chauvetprofessional.eu
Chauvet Europe BVBA	
Address: Stokstraat 18 9770 Kruishoutem Belgium Voice: +32 9 388 93 97	Email: BNLtech@chauvetlighting.eu Website: www.chauvetprofessional.eu
Chauvet France	
Address: 3, Rue Ampère 91380 Chilly-Mazarin France Voice: +33 1 78 85 33 59	Email: FRtech@chauvetlighting.fr Website: www.chauvetprofessional.eu
Chauvet Germany	
Address: Bruno-Bürgel-Str. 11 28759 Bremen Germany Voice: +49 421 62 60 20	Email: DEtech@chauvetlighting.de Website: www.chauvetprofessional.eu
Chauvet Mexico	
Address: Av. de las Partidas 34 - 3B (Entrance by Calle 2) Zona Industrial Lerma Lerma, Edo. de México, CP 52000 Voice: +52 (728) 690-2010	Email: servicio@chauvet.com.mx Website: www.chauvetprofessional.mx

Visit the applicable website above to verify our contact information and instructions to request support. Outside the US, UK, Ireland, Mexico, France, Germany, or Benelux, contact the dealer of record.