

OVATION

P-56FC

User Manual



Model ID: OVATIONP56FC

Edition Notes

The Ovation P-56FC User Manual includes a description, safety precautions, installation, programming, operation and maintenance instructions for the Ovation P-56FC.

Trademarks

Chauvet, Chauvet Professional, the Chauvet logo, and Ovation are registered trademarks or trademarks of Chauvet & Sons, LLC (d/b/a Chauvet and Chauvet Lighting) in the United States and other countries. Other company and product names and logos referred to herein may be trademarks of their respective companies.

Copyright Notice

The works of authorship contained in this manual, including, but not limited to, all design, text and images are owned by Chauvet.

© **Copyright 2022 Chauvet & Sons, LLC. All rights reserved.**

Electronically published by Chauvet in the United States of America.

Manual Use

Chauvet authorizes its customers to download and print this manual for professional information purposes only. Chauvet expressly prohibits the usage, copy, storage, distribution, modification, or printing of this manual or its content for any other purpose without written consent from Chauvet.

Document Printing

For best results, print this document in color, on letter size paper (8.5 x 11 in), double-sided. If using A4 paper (210 x 297 mm), configure the printer to scale the content accordingly.

Intended Audience

Any person installing, operating, and/or maintaining this product should completely read through the guide that shipped with the product, as well as this manual, before installing, operating, or maintaining this product.

Disclaimer

Chauvet believes that the information contained in this manual is accurate in all respects. However, Chauvet assumes no responsibility and specifically disclaims any and all liability to any party for any loss, damage or disruption caused by any errors or omissions in this document, whether such errors or omissions result from negligence, accident or any other cause. Chauvet reserves the right to revise the content of this document without any obligation to notify any person or company of such revision, however, Chauvet has no obligation to make, and does not commit to make, any such revisions. Download the latest version from www.chauvetprofessional.com.

Document Revision

This Ovation P-56FC User Manual is the 9th edition of this document. Go to www.chauvetprofessional.com for the latest version.

TABLE OF CONTENTS

- 1. Before You Begin** 1
 - What Is Included 1
 - Claims 1
 - Manual Conventions 1
 - Symbols 1
 - Safety Notes..... 2
 - Personal Safety..... 2
 - Mounting and Rigging 2
 - Power and Wiring..... 2
 - Operation 2
 - Expected LED Lifespan..... 2
- 2. Introduction** 3
 - Description 3
 - Features 3
 - Product Overview 4
 - Product Dimensions 5
- 3. Setup** 6
 - AC Power 6
 - AC Plug 6
 - Power Linking..... 6
 - Fuse Replacement..... 6
 - DMX Linking..... 6
 - DMX Personalities..... 6
 - Remote Device Management (RDM) 6
 - Master/Slave Connectivity..... 7
 - Mounting 7
 - Orientation..... 7
 - Rigging 7
 - Procedure..... 7
 - Alternate Lens Changing Procedure 8
- 4. Operation** 9
 - Control Panel Operation..... 9
 - Control Options 9
 - Programming..... 9
 - Configuration (DMX) 9
 - DMX Personalities..... 9
 - Starting Address..... 9
 - Menu Map 10
 - Configuration (Standalone) 13
 - Static Mode 13
 - Auto Programs 13
 - Red Shift 13
 - Master/Slave 13
 - Dimmer Curve 13
 - Dimmer Profiles..... 14
 - White Balance 14
 - LED Frequency 14
 - Fan Mode 14
 - Back Light 14
 - System Information 14
 - Factory Reset..... 14
 - Virtual Color Wheel (VCW) 15

Virtual Color Wheel Chart	15
Color Temperature Chart	16
DMX Values	17
.....	18
.....	18
5. Technical Information	19
Product Maintenance	19
6. Technical Specifications	20
Returns	21
Contact Us	22

1. Before You Begin

What Is Included

- Ovation P-56FC
- Neutrik® powerCON® power cord
- Gel frame holder (7.5 in/191 mm accessories)
- Medium and wide lenses
- Quick Reference Guide

Claims

Carefully unpack the product immediately and check the container to make sure all the parts are in the package and are in good condition.





If the box or the contents (the product and included accessories) appear damaged from shipping, or show signs of mishandling, notify the carrier immediately, not Chauvet. Failure to report damage to the carrier immediately may invalidate customer's claim. In addition, keep the box and contents for inspection.

For other issues, such as missing components or parts, damage not related to shipping, or concealed damage, file a claim with Chauvet within 7 days of delivery.

Manual Conventions

Convention	Meaning
1–512	A range of values
50/60	A set of values of which only one can be chosen
<SET>	A button on the product's control panel
Settings	A product function or a menu option

Symbols

Symbol	Meaning
	Electrical warning. Not following these instructions may cause electrical damage to the product, accessories, or the user.
	Critical installation, configuration, or operation information. Not following these instructions may make the product not work, cause damage to the product, or cause harm to the operator.
	Important installation or configuration information. The product may not function correctly if this information is not used.
	Useful information.



The term “DMX” used throughout this manual refers to the USITT DMX512-A digital data transmission protocol.

FCC Compliance

This device complies with Part 15 Part B of the FCC Rules. Operation is subject to the following two conditions:

1. This device may not cause harmful interference, and
2. This device must accept any interference received, including interference that may cause undesired operation.

Any changes or modifications not expressly approved by the party responsible for compliance could void the user's authority to operate the equipment.

Safety Notes

Read all the following safety notes before working with this product. These notes contain important information about the installation, usage, and maintenance of this product.



This product contains no user-serviceable parts. Any reference to servicing in this User Manual will only apply to properly trained, certified technicians. Do not open the housing or attempt any repairs.



All applicable local codes and regulations apply to proper installation of this product.

Personal Safety

- Avoid direct eye exposure to the light source while the product is on.
- Always disconnect the product from the power source before cleaning or replacing the fuse.
- Always connect the product to a grounded circuit to avoid the risk of electrocution.
- Do not touch the product's housing when operating because it may be very hot.

Mounting and Rigging

- This product is for indoor use only! Do not operate this product outdoors or in any location where dust, excessive heat, water, or humidity may affect it (IP20).
- Do not leave any flammable material within 50 cm of this product while operating or connected to power.
- CAUTION: When transferring product from extreme temperature environments, (e.g., cold truck to warm, humid ballroom) condensation may form on the internal electronics of the product. To avoid causing a failure, allow product to fully acclimate to the surrounding environment before connecting it to power.
- Mount this product in a location with adequate ventilation, at least 20 in (50 cm) from adjacent surfaces.
- When hanging this product, always secure to a fastening device using a safety cable.
- Use only the hanging/mounting bracket to carry this product.

Power and Wiring

- Ensure that the power cord is not crimped or damaged.
- Always ensure that the product is connected to proper voltage in accordance with the specifications in this manual or on the product's specification label.
- Never connect the product to a dimmer pack or rheostat.
- Never disconnect this product by pulling or tugging on the power cable.

Operation

- Do not operate this product if there is damage on the housing, lenses, or cables. Have the damaged parts replaced by an authorized technician at once.
- Do not cover the ventilation slots when operating to avoid internal overheating.
- The maximum ambient temperature is 113 °F (45 °C). Do not operate the product at higher temperatures.
- The minimum startup temperature is -4°F (-20°C). Do not start the product at lower temperatures.
- The minimum ambient temperature is -22°F (-30°C). Do not operate the product at lower temperatures.
- In the event of a serious operation problem, stop using this product immediately!



If your Chauvet product requires service, contact Chauvet Technical Support.

Expected LED Lifespan

Over time, use and heat will gradually reduce LED brightness. Clustered LEDs produce more heat than single LEDs, contributing to shorter lifespans if always used at full intensity. The average LED lifespan is 40,000 to 50,000 hours. To extend LED lifespan, maintain proper ventilation around the product, and limit the overall intensity.

2. Introduction

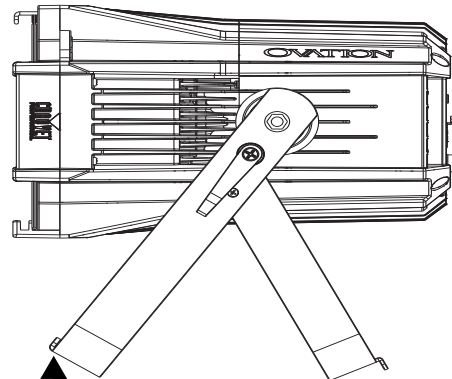
Description

The Ovation P-56FC is a compact, virtually silent par that produces a homogenized, single-source, flat, and even field of light with high CRI. The bright unit uses an advanced full color-mixing RGBAL LED system to produce subtle pastels to punchy saturates, and nearly any temperature of white. The unit accepts standard 7.5" beam-shaping accessories, and interchangeable lens plates are included for medium and wide beam angles. Ideal for theatrical and studio applications, the virtually silent par features extremely smooth 16-bit dimming, and RDM and PWM for ease of setup.

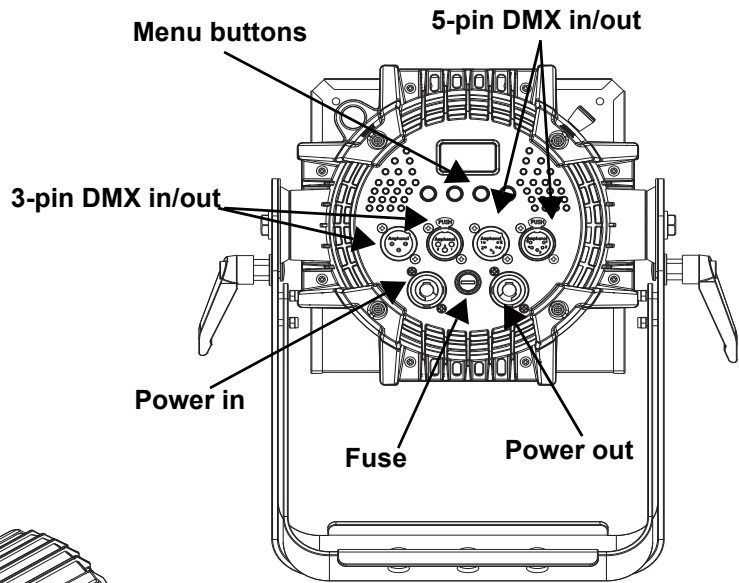
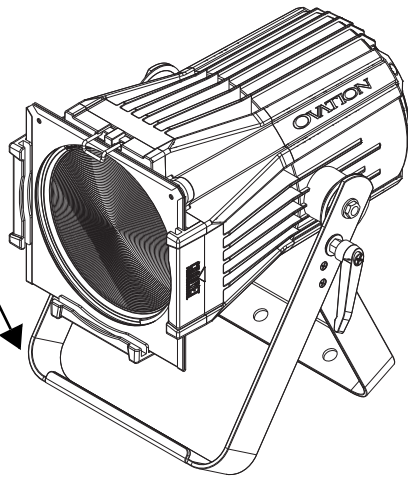
Features

- Operating modes:
 - HSV: hue, saturation, value
 - 1-channel: dimmer
 - 3-channel: dimmer, virtual color wheel, color temperature
 - 5-channel: RGBAL
 - 7-channel: dimmer, RGBAL, strobe
 - 10-channel: 16-bit dimmer, RGBAL, strobe, virtual color wheel, color temperature
 - 12-channel: dimmer, RGBAL, strobe, virtual color wheel, color temperature, auto programs, auto speed, dimmer speed mode, control
 - 13-channel: 16-bit dimmer, 16-bit RGBAL, strobe
 - 16-channel: 16-bit dimmer, 16-bit RGBAL, strobe, virtual color wheel, color temperature, control
- Full color PAR style fixture with homogenized single source of light
- Interchangeable lens plates included for medium and wide beam angles
- Flat, even field of light
- Quiet operation for use in any situation with fan speed control
- RDM and variable PWM (Pulse Width Modulation) for setup ease
- Accepts standard 7.5" beam-shaping accessories
- 16-bit dimming resolution for smooth fades

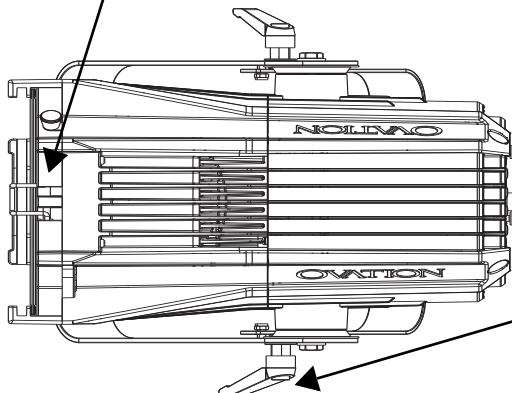
Product Overview



Bracket

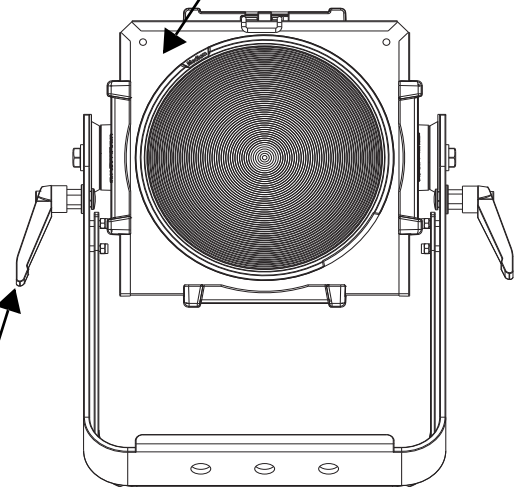


Gel frame holder clip

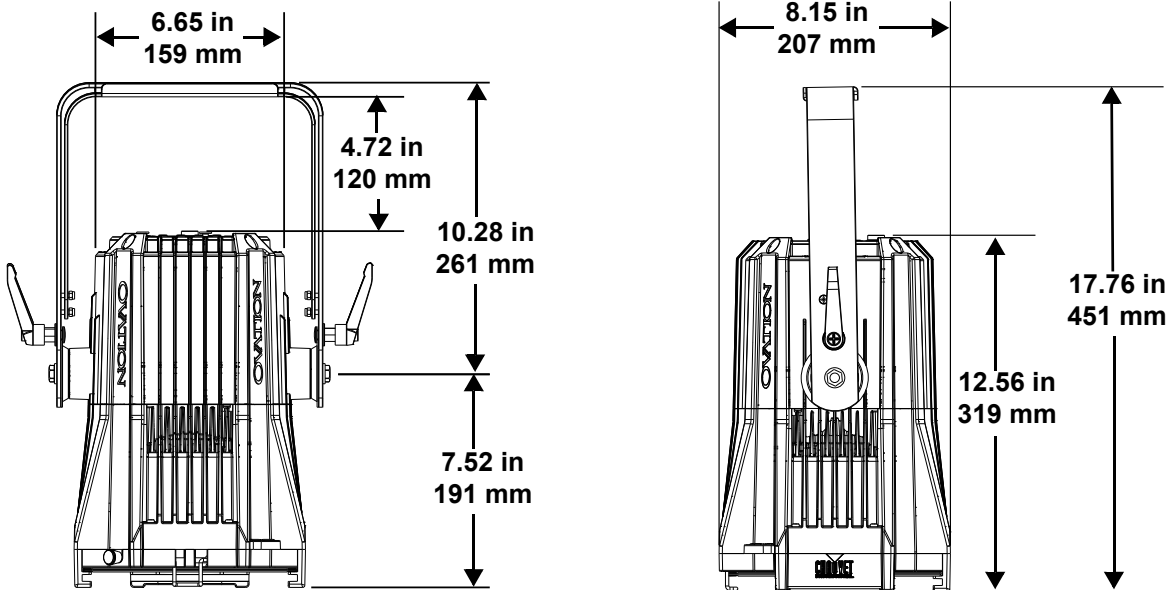
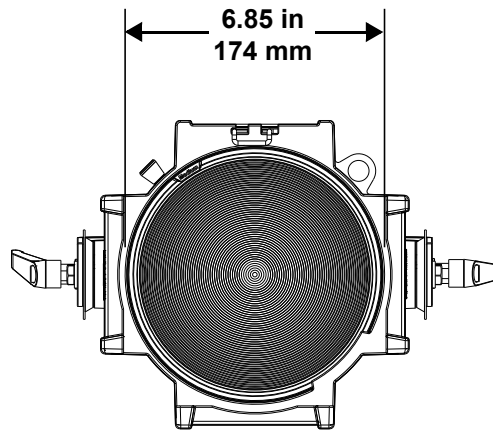
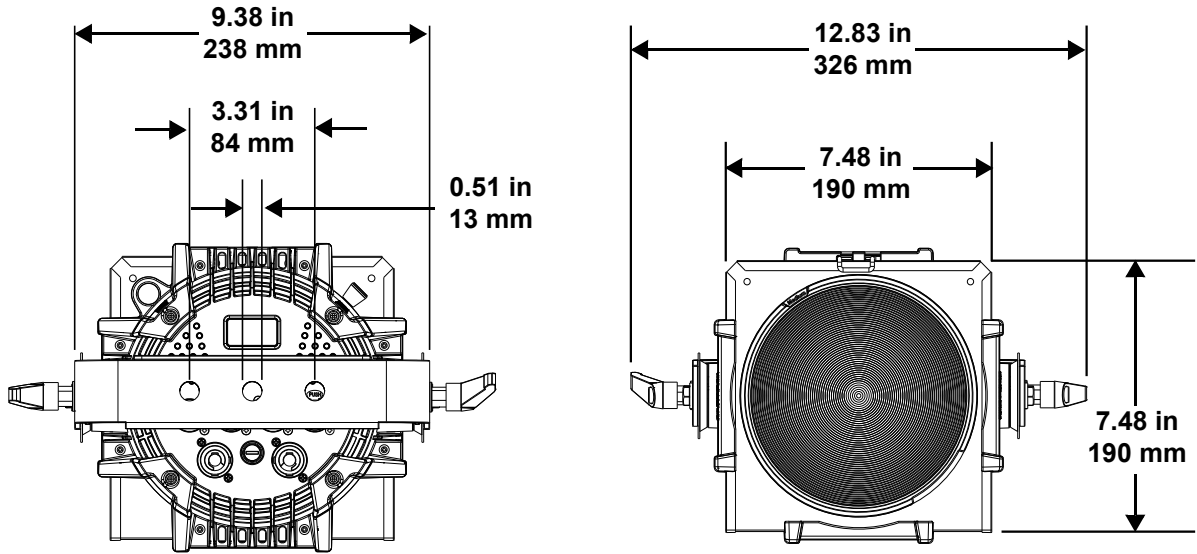


**Tilt
adjustment
handles**

Gel frame



Product Dimensions



3. Setup

AC Power

Each Ovation P-56FC has an auto-ranging power supply that works with an input voltage range of 100 to 240 VAC, 50/60 Hz. To determine the power requirements for each Ovation P-56FC, refer to the label affixed to the product or to the [Technical Specifications](#) chart in this manual.

The listed current rating indicates the maximum current draw during normal operation. For more information, download Sizing Circuit Breakers from the Chauvet website: www.chauvetprofessional.com.



- **Always connect the product to a protected circuit (a circuit breaker or fuse). Make sure the product has an appropriate electrical ground to avoid the risk of electrocution or fire.**
- **To eliminate unnecessary wear and improve its lifespan, during periods of non-use completely disconnect the product from power via breaker or by unplugging it.**



Never connect the product to a rheostat (variable resistor) or dimmer circuit, even if the rheostat or dimmer channel serves only as a 0 to 100% switch.

AC Plug

The Ovation P-56FC comes with a power input cord terminated with a Neutrik® powerCON® connector on one end and an Edison plug on the other end (U.S. market). If the power input cord that came with the product has no plug, or if the plug needs to be changed, use the table below to wire the new plug.

Connection	Wire (U.S.)	Wire (Europe)	Screw Color
AC Live	Black	Brown	Yellow or Brass
AC Neutral	White	Blue	Silver
AC Ground	Green/Yellow	Green/Yellow	Green

Power Linking

The product supports power linking. It is possible to power link up to 9 Ovation P-56FC products at 120 V, up to 16 products at 208 V, or up to 17 products at 230 V. This product comes with a power input cord. Power-linking cables are available for purchase from Chauvet.

Fuse Replacement

1. Disconnect this product from the power outlet.
2. Using a flathead screwdriver, unscrew the fuse holder cap from the housing.
3. Remove the blown fuse and replace with another fuse of the same type and rating (T 3.15 A, 250 V).
4. Screw the fuse holder cap back in place and reconnect power.



Make sure to disconnect the product's power cord before replacing a blown fuse. Always replace the blown fuse with another of the same type and rating.

DMX Linking

The Ovation P-56FC can be linked to a DMX controller using a 3- and 5-pin DMX connection. If using other DMX-compatible products with this product, it is possible to control each individually with a single DMX controller.

DMX Personalities

The Ovation P-56FC uses a 3- and 5-pin DMX data connection for the **HSV, 1Ch, 3Ch, 5Ch, 7Ch, 10Ch, 12Ch, 13Ch, and 16Ch** DMX personalities.

- Refer to the [Introduction](#) for a brief description of each DMX personality.
- Refer to the [Operation](#) chapter to learn how to configure the Ovation P-56FC to work in these personalities.
- The [Color Temperature Chart](#) section provides detailed information regarding the DMX personalities.



For information about DMX standards, Master/Slave connectivity, or the DMX cables needed to link this product to a DMX controller, download the DMX Primer from the Chauvet website: www.chauvetprofessional.com.

Remote Device Management (RDM)

Remote Device Management, or RDM, is a standard for allowing DMX-enabled devices to communicate bi-directionally along existing DMX cabling. Check with the manufacturer or the DMX controller's User Manual, as not all DMX controllers have this capability. The Ovation P-56FC supports RDM protocol that allows feedback to make changes to menu map options.

Master/Slave Connectivity

The Master/Slave mode allows an Ovation P-56FC (the master) to control one or more Ovation P-56FC products (the slaves) without a DMX controller. One Ovation P-56FC becomes the master when running an auto or custom program, or in Static mode.

Each slave's control panel must be configured to operate in Slave mode. During Master/Slave operation, the slaves will operate in unison with the master.



DO NOT connect a DMX controller to products operating in Master/Slave mode. The DMX controller signals may interfere with the signals from the master.



- The [Operation](#) section of this manual provides detailed instructions on how to configure the master and slaves.
- For more information about DMX standards or the DMX cables needed to link this product to a DMX controller, download the DMX primer from the Chauvet website: www.chauvetprofessional.com.

Mounting

Before mounting the product, read and follow the safety recommendations indicated in the [Safety Notes](#). For CHAUVET Professional line of mounting clamps, go to: <http://trusst.com/products/>.

Orientation

Always mount this product in a safe position, ensuring that there is adequate room for ventilation, configuration, and maintenance.

Rigging

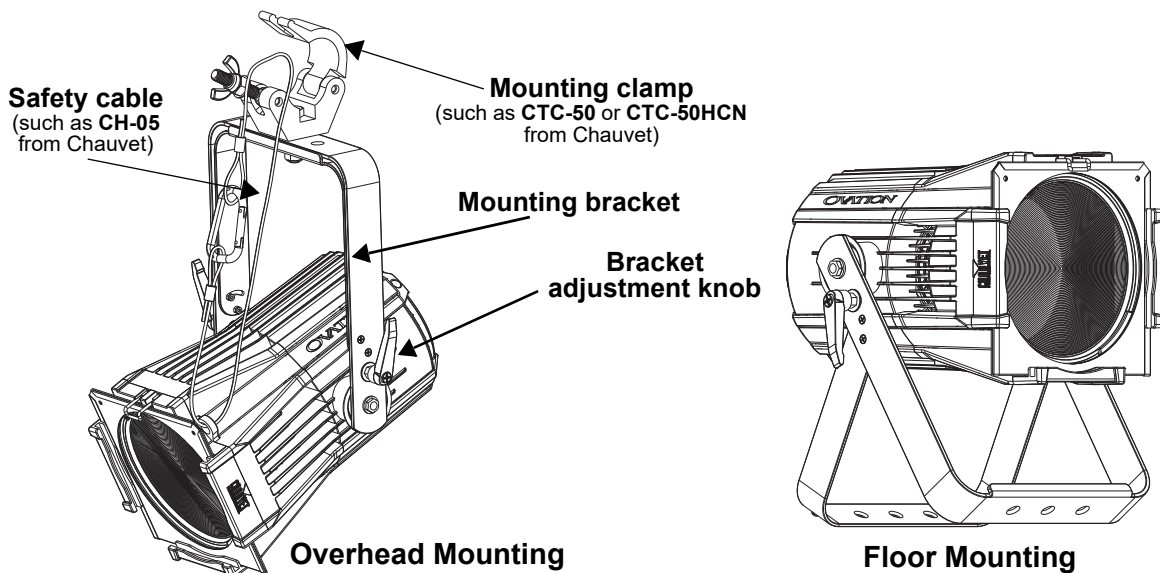
Chauvet recommends using the following general guidelines when mounting this product:

- Before deciding on a location for the product, make sure there is easy access to the product for maintenance and programming purposes.
- Make sure that the structure onto which the product will be mounted can support the product's weight. See the [Technical Specifications](#) for weight information.
- When mounting the product overhead, always use a safety cable. Mount the product securely to a rigging point, whether an elevated platform or a truss.
- When rigging the product onto a truss, use a mounting clamp of appropriate weight capacity.
- When power linking multiple products, mount the products close enough for power-linking cables to reach.
- The bracket adjustment knobs allow for directional adjustment when aiming the product to the desired angle. Only loosen or tighten the bracket knobs manually. Using tools could damage the knobs.

Procedure

The Ovation P-56FC comes with a double-bracketed yoke that can be used as a floor stand or to which mounting clamps can be attached for hanging. Mounting clamps must be purchased separately. Ensure that the clamps can support the weight of this product. Use at least one mounting point per product where necessary.

Mounting Diagram



Alternate Lens Changing Procedure

The Ovation P-56FC has the ability to have different types of lenses installed. The interchangeable lenses allow the product to have alternate beam angles.

To remove the lens

1. Pull knob up.
2. Grab the tab on the lens, and pull it out of the fixture.



DO NOT connect a DMX controller to products operating in Master/Slave mode. The DMX controller signals may interfere with the signals from the master.

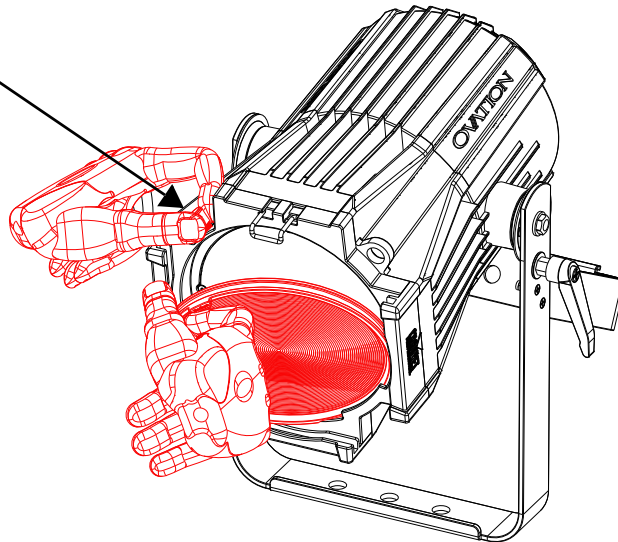
To install a lens

1. Pull knob up.
2. Insert the bottom of the lens at approximately the 5 o'clock position with the lens tab located at the 11 o'clock position.
3. Push the top of the lens in and release the knob.



The lens type is molded into the tab.

Pull knob up to release
and change the lens



4. Operation

Control Panel Operation

Button	Function
<MENU>	Exits from the current menu or function
<ENTER>	Enables the currently displayed menu or sets the currently selected value in to the current function
<UP>	Navigates upward through the menu list or increases the numeric value when in a function
<DOWN>	Navigates downward through the menu list or decreases the numeric value when in a function

Control Options

Set the Ovation P-56FC starting address in the 001-512 DMX range. This enables control of up to 17 products in the 16-channel personality.

Programming

Refer to the [Menu Map](#) to understand the menu options. The menu map shows the main level and a variable number of programming levels for each option.

- To go to the desired main level, press <MENU> repeatedly until the option shows on the display. Press <ENTER> to select. This will show the first programming level for that option.
- To select an option or value within the current programming level, press <UP> or <DOWN> until the option shows on the display. Press <ENTER> to select. This will show either the first option if there is another programming level, or the selected value.
- Press <MENU> repeatedly to exit to the previous main level.

Configuration (DMX)

Use DMX configurations to operate the product with a DMX controller.

DMX Personalities

This setting allows the user to choose a particular DMX personality.

1. Go to the **DMX Channel** main level.
2. Select the desired personality (**1Ch, 3Ch, 5Ch, 7Ch, 10Ch, 12Ch, 13Ch, 16Ch, and HSV**).



- See the [Starting Address](#) section for the highest starting address suggested for each personality.
- Make sure that the starting addresses on the various products do not overlap due to the new personality setting.

Starting Address

In this mode, each product will respond to a unique starting address from the DMX controller. All products with the same starting address will respond in unison.

1. Go to the **DMX Address** main level.
2. Select **Address**.
3. Set the starting address (**001–512**).

The highest recommended starting address for each DMX mode is as follows:

DMX Personality	DMX Address	DMX Personality	DMX Address
1Ch	512	10Ch	503
3Ch	510	12Ch	501
5Ch	509	13Ch	500
7Ch	506	16Ch	497

Menu Map

Refer to the Ovation P-56FC product page on www.chauvetprofessional.com for the latest menu map.

Main Level	Programming Levels			Description	
DMX Address	Address	001–512*		Selects DMX address (*highest channel restricted to personality chosen)	
DMX Channel	1Ch	Virtual Color Wheel		1-channel: dimmer, red shift See Virtual Color Wheel Chart	
		Color Temperature		See Color Temperature Chart	
		Manual Color Mixer	Red	0–255	Combine red, green, blue, amber, and lime to make a custom color (0–100%)
			Green		
			Blue		
	Amber				
	Lime				
	3Ch		3-channel: dimmer, virtual color wheel, color temperature		
	5Ch		5-channel: RGBAL		
	7Ch		7-channel: RGBAL, dimmer, strobe		
10Ch		10-channel: 16-bit dimmer, RGBAL, virtual color wheel, color temperature, strobe			
12Ch		12-channel: RGBAL, dimmer, virtual color wheel, color temperature, strobe, auto program, auto speed, dimmer speed, control			
13Ch		13-channel: 16-bit RGBAL and dimmer, strobe			
16Ch		16-channel: 16-bit RGBAL and dimmer, virtual color wheel, color temperature, strobe, control			
HSV		3-channel: hue, saturation, value			

Main Level	Programming Levels		Description
Virtual Color Wheel	Virtual Color Wheel	C3050 - Md Yellow	Dimmer 0–255 Virtual Color Wheel simulates the output of each gel color. Refer to the Virtual Color Wheel Chart for specific values.
		C3040 - Lt Yellow	
		C3240 - Amb Yellow	
		C2340 - VLt Amber	
		C2040 - Lt Amber	
		C2050 - Md Amber	
		C2060 - Dk Amber	
		C1050 - Lt Red	
		C1080 - Md Red	
		C1020 - NC Pink	
		C1030 - Md Pink	
		C1630 - Dk Pink	
		C1250 - Md Red Amber	
		C1060 - Dk Red Amber	
		C1650 - Magenta	
		C6170 - Dk Magenta	
		C6020 - Lt Lavender	
		C5030 - Lt Blue	
		C5020 - VLt Blue	
		C5430 - Lt Blue 2	
		C5070 - Blue	
		C5050 - Md Blue	
		C5060 - Dk Blue	
		C5690 - Indigo	
		C5080 - VDk Blue	
		C5081 - VDk Blue 2	
		C4370 - Yel Green	
		C4070 - Green	
	C4550 - Turquoise		
	C4560 - Aqua		
	C4570 - Blue Green		
	Color Temperature	2800K	Dimmer 0–255 Preset white color temperatures. Emulates a tungsten lamp at the specified color temperature. Refer to the Color Temperature Chart for specific values.
		3000K	
		3200K	
		3500K	
		4000K	
		4500K	
		5000K	
		5600K	
		6000K	
		6500K	
	Manual Color Mixer	Red	0–255 Combines red, green, blue, amber, and lime to make a custom color (0–100%)
		Green	
		Blue	
Amber			
Lime			
Color X-Fade Speed	Off	Turns off the fade transition between colors	
	X-Fade Speed 1	Creates fade transition between colors when using colors in the Virtual Color Wheel or Color Temperature chart, from fast (X-Fade Speed 1) to slow (X-Fade Speed 4)	
	X-Fade Speed 2		
	X-Fade Speed 3		
	X-Fade Speed 4		

Main Level	Programming Levels		Description	
Auto Show	Auto 1–5	1–100	Selects automatic programs and auto program speed	
Red Shift	On Off		Mimics halogen lamp dimming	
Master/ Slave	Master		Receives DMX signal from the DMX controller (master)	
	Slave		Receives DMX signal from the master unit	
Dimmer Curve	Linear		Sets the dimmer curve	
	Square			
	I Square			
	SCurve			
Dimmer Mode	Off		Linear dimmer	
	Dimmer 1–3		Dimming curves, from fast (Dimmer 1) to slow (Dimmer 3)	
White Balance	Manual	Off	Uses factory default white setting	
		Red	125–255	Sets red LED maximum value
		Green		Sets green LED maximum value
		Blue		Sets blue LED maximum value
		Amber		Sets amber LED maximum value
		Lime		Sets lime LED maximum value
LED Frequency	600Hz		Sets the PWM frequency	
	1200Hz			
	2000Hz			
	4000Hz			
	6000Hz			
	25KHz			
Fan Mode	Auto		Sets the fan to auto mode	
	On		Sets the fan to always on	
	Off		Sets the fan to always off	
	Silent		Sets the fan to silent	
Back Light	10S		Turns off display backlight after 10 seconds of inactivity	
	30S		Turns off display backlight after 30 seconds of inactivity	
	2Min		Turns off display backlight after 2 minutes of inactivity	
	Always On		Display backlight always on	
Information	Fixture Hours	----_H	Shows total hours the product has been powered on	
	LED Hours	----_H	Shows total LED hours	
	Version	V_--	Shows current firmware version	
	UID	-----	Shows product UID	
Reset Factory	No		Resets the product to factory default settings	
	Yes			

Configuration (Standalone)

Use standalone configuration to operate the product without a DMX controller.

Static Mode

The Static mode allows for an unchanging color without a DMX controller.

Virtual Color Wheel

1. Go to the **Virtual Color Wheel** main level.
2. Select **Virtual Color Wheel**.
3. Select the desired gel color (see [Virtual Color Wheel Chart](#)).
4. Select the desired output level (**000–255**).

Color Temperature

To select a color temperature, do the following:

1. Go to the **Virtual Color Wheel** main level.
2. Select **Color Temperature**.
3. Select the desired color temperature (see [Color Temperature Chart](#)).
4. Select the desired output level (**000–255**).

Manual Color Mixer

To do color mixing without a DMX controller, follow the instructions below:

1. Go to the **Static** main level.
2. Select **Manual Color Mixer**.
3. Select the color to edit (**Red, Green, Blue, Amber, or Lime Green**).
4. Select the desired output level for that color (**000–255**).
5. Repeat steps 3 and 4 until product outputs as desired.

Auto Programs

Auto programs allow for dynamic blinder effects without a DMX controller.

1. Go to Auto Show main level.
2. Select the desired auto program (**Auto 1–5**).
3. Select the desired speed (**1–100**).



NOTICE: When operating in Fan Mode: Off, output of the fixture will be reduced and will not reach the same levels as when using other fan modes.

Red Shift

The Red Shift function causes the amber LEDs to imitate the appearance of a halogen lamp when dimming.

To adjust the Red Shift function, do the following:

1. Go to the **Red Shift** main level.
2. Select **On** or **Off**.

Master/Slave

The Master/Slave mode allows a group of Ovation P-56FC products (the slaves) to simultaneously duplicate the output of another Ovation P-56FC (the master) without a DMX controller.

To set each of the slaves:

1. Go to the **Master/Slave** main level
2. Select **Slave**.

To set the master:

1. Go to the **Master/Slave** main level
2. Select **Master**.
3. Select a static setting.



- **The master is the one that runs a program whether in Auto or Static mode.**
- **Do not connect a DMX controller to the products configured for Master/Slave operation. The DMX controller may interfere with signals from the master.**
- **The master should be the first product in the daisy chain.**

Dimmer Curve

To set the dimmer curve, follow the instructions below:

1. Go to the Dimmer Curve main level.
2. Select the desired option (**Linear, Square, I Squa, or SCurve**).

Dimmer Profiles

This setting determines how fast the output of the Ovation P-56FC changes when the output value is modified. It provides four different options to simulate the dimming curve of an incandescent lighting product. To select a specific dimmer profile, do the following:

1. Go to the **Dimmer Mode** main level.
2. Select a dimmer curve (**Off**, **Dimmer 1**, **Dimmer 2**, or **Dimmer 3**).



Off: The output is proportional (linear) to the dimmer channel value.

Dimmer 1-3: The output follows the dimmer value based on the corresponding dimmer curve, **Dimmer 1** being the fastest.

White Balance

This setting determines the maximum output values for each color, which affects the appearance of a full output white.

1. Go to the **White Balance** main level.
2. Select **Off** (the product will use a default setting) or **Manual**.
3. For **Manual** mode, select the color value to edit (**Red**, **Green**, **Blue**, **Amber**, or **Lime Green**).
4. Set the maximum value for the selected color (**125–255**).
5. Repeat steps 3 and 4 until the product outputs as desired.

LED Frequency

This option changes the Pulse Width Modulation (PWM) frequency of the LEDs on the Ovation P-56FC. To do so, follow the instructions below:

1. Go to the **LED Frequency** main level.
2. Select PWM Frequency (**600Hz**, **1200Hz**, **2000Hz**, **4000Hz**, **6000Hz**, or **25KHz**).

Fan Mode

This setting determines how the fan speed on the Ovation P-56FC is set.

1. Go to the **Fan Mode** main level
2. Select **Auto** (fan speed will increase or decrease based on product temperature), **Off** (fan will stay off. Product output will decrease based on product temperature), **Silent** (fan will maintain a constant silent speed), or **On** (fan speed will always be at maximum).



NOTICE: When operating in Fan Mode: Off, the output of the fixture will be reduced and will not reach the same levels as when using other fan modes.



WARNING: When operating in Fan Mode: Off, the fixture will become hotter to the touch than when using other fan modes. Use proper protective equipment to prevent burns. Keep a safe distance from flammable objects.

Back Light

This setting allows for selection of the amount of time the backlight on the Ovation P-56FC's display stays on after the last button is pressed on the control panel.

1. Go to the **Back Light** main level.
2. Select **10S** (10 seconds), **30S** (30 seconds), **2Min** (2 minutes), or **Always On** (remains on).

System Information

This option displays the total number of hours the product has run, the installed software version, and the product's UID.

1. Go to the **Information** main level.
2. Select **Fixture Hours**, **Version**, or **UID**.

Factory Reset

This option restores the Ovation P-56FC to factory default settings.

1. Go to the **Reset Factory** main level.
2. Select **No** or **Yes**.

Virtual Color Wheel (VCW)

The Ovation P-56FC includes a feature called the Virtual Color Wheel (VCW). This feature is available as a standalone control mode for manual use and as a control channel in select DMX personalities. More than 30 premixed colors, custom blended by Chauvet engineers, are available to call up for easier programming. The DMX values used to mix these colors are provided below. The overall intensity of the Ovation fixture can be adjusted to more closely replicate familiar industry-standard colors. A chart is available at www.chauvetprofessional.com to compare Chauvet's premixed colors with popular gel colors. This chart is for comparison purposes only and is not an assertion that Chauvet's premixed colors match any of the gel colors listed.

Virtual Color Wheel Chart

	R	G	B	A	L
C3050-Md Yellow	255	241	1	255	225
C3040-Lt Yellow	255	147	13	255	255
C3240-Amb Yellow	255	141	0	255	219
C2340-VLt Amber	255	169	32	255	51
C2040-Lt Amber	255	122	21	179	99
C2050-Md Amber	255	67	2	255	116
C2060-Dk Amber	255	15	3	255	124
C1050-Lt Red	255	6	5	51	0
C1080-Md Red	255	0	2	34	2
C1020-NC Pink	255	182	86	255	141
C1030-Md Pink	255	126	86	255	141
C1630-Dk Pink	255	187	83	255	148
C1250-Md Red Amber	255	0	12	246	32
C1060-Dk Red Amber	255	0	18	206	0
C1650-Magenta	255	14	88	255	110
C6170-Dk Magenta	255	0	111	77	0
C6020-Lt Lavender	255	255	147	255	255
C5030-Lt Blue	15	255	223	30	255
C5020-VLt Blue	12	255	221	229	255
C5430-Lt Blue2	0	255	201	19	255
C5070-Blue	0	255	255	23	32
C5050-Md Blue	0	255	253	17	126
C5060-Dk Blue	12	255	255	43	11
C5690-Indigo	38	58	255	0	0
C5080-VDk Blue	0	167	255	0	11
C5081-VdK Blue2	0	155	255	4	12
C4370-Yel Green	0	255	6	0	67
C4070-Green	0	255	20	124	30
C4550-Turquoise	0	255	50	194	7
C4560-Aqua	0	255	82	105	148
C4570-Blue Green	0	255	46	0	46



Note: The colors above are simulated renditions of the color output produced compared with other similar incandescent products. Chauvet makes no guarantee of the color output accuracy.

Color Temperature Chart

	R	G	B	A	L
2800K	134	58	44	255	255
3000K	124	72	52	255	255
3200K	115	86	60	255	255
3500K	106	104	71	255	255
4000K	94	136	92	255	255
4500K	86	162	113	255	255
5000K	79	185	133	255	255
5600K	73	208	156	255	255
6000K	68	220	170	255	255
6500K	64	232	186	255	255



Note: The color temperatures above are simulated renditions of the color output produced compared with a tungsten lamp at the specified color temperature. Chauvet makes no guarantee of the color output accuracy.

DMX Values

16Ch / 13Ch / 12Ch / 10Ch / 7Ch / 5Ch

5Ch	7Ch	10Ch	12Ch	13Ch	16Ch	Function	Value	Percent/Setting
-	1	1	1	1	1	Dimmer	000 ⇔ 255	0-100%
-	-	2	-	2	2	Dimmer Fine	000 ⇔ 255	0-100%
1	2	3	2	3	3	Red	000 ⇔ 255	0-100%
-	-	-	-	4	4	Red Fine	000 ⇔ 255	0-100%
2	3	4	3	5	5	Green	000 ⇔ 255	0-100%
-	-	-	-	6	6	Green Fine	000 ⇔ 255	0-100%
3	4	5	4	7	7	Blue	000 ⇔ 255	0-100%
-	-	-	-	8	8	Blue Fine	000 ⇔ 255	0-100%
4	5	6	5	9	9	Amber	000 ⇔ 255	0-100%
-	-	-	-	10	10	Amber Fine	000 ⇔ 255	0-100%
5	6	7	6	11	11	Lime	000 ⇔ 255	0-100%
-	-	-	-	12	12	Lime Fine	000 ⇔ 255	0-100%
-	7	8	7	13	13	Strobe	000 ⇔ 010 011 ⇔ 255	No function Strobe, slow to fast
-	-	9	8	-	14	Virtual Color Wheel	000 ⇔ 255	Refer to the Color Chart section for specific values
-	-	10	9	-	15	Color Temperature	000 ⇔ 255	Refer to the Color Temperature Chart section for specific values
-	-	-	10	-	-	Auto Programs	000 ⇔ 010 011 ⇔ 060 061 ⇔ 110 111 ⇔ 160 161 ⇔ 210 211 ⇔ 255	No function Auto program 1 Auto program 2 Auto program 3 Auto program 4 Auto program 5
-	-	-	11	-	-	Auto Speed	000 ⇔ 255	Auto speed, slow to fast
-	-	-	12	-	16	Control (hold for 3 seconds)	000 ⇔ 007 008 ⇔ 015 016 ⇔ 023 024 ⇔ 031 032 ⇔ 039 040 ⇔ 047 048 ⇔ 055 056 ⇔ 063 064 ⇔ 071 072 ⇔ 079 080 ⇔ 087 088 ⇔ 095 096 ⇔ 103 104 ⇔ 111 112 ⇔ 119 120 ⇔ 127 128 ⇔ 135 136 ⇔ 255	No function Dimmer Reset Red Shift On Red Shift Off Dimmer: S-Curve Dimmer: Linear Dimmer: Square Dimmer: Inverse Square Dimmer Mode: Off Dimmer Mode 1 Dimmer Mode 2 Dimmer Mode 3 X-Fade Speed: OFF X-Fade Speed: 1 (fastest) X-Fade Speed: 2 X-Fade Speed: 3 X-Fade Speed: 4 (slowest) Reserved for future use

3Ch / 1Ch

1Ch	3Ch	Function	Value	Percent/Setting
1	1	Dimmer	000 ⇔ 255	0–100%
–	2	Virtual Color Wheel	000 ⇔ 255	Refer to the Color Chart section for specific values
–	3	Color Temperature	000 ⇔ 255	Refer to the Color Temperature Chart section for specific values

HSV

Channel	Function	Value	Percent/Setting
1	Hue	000 ⇔ 255	0–100%
2	Saturation	000 ⇔ 255	0–100%
3	Value	000 ⇔ 255	0–100%

5. Technical Information

Product Maintenance

To maintain optimum performance and minimize wear, clean this product frequently. Usage and environment are contributing factors in determining the cleaning frequency.

Clean this product at least twice a month. Dust build-up reduces light output performance and can cause overheating. This can lead to reduced light source life and increased mechanical wear.

To clean the product:

1. Unplug the product from power.
2. Wait until the product is at room temperature.
3. Use a vacuum (or dry compressed air) and a soft brush to remove dust collected on the external vents.
4. Clean all transparent surfaces with a mild soap solution, ammonia-free glass cleaner, or isopropyl alcohol.
5. Apply the solution directly to a soft, lint-free cotton cloth or a lens-cleaning tissue.
6. Softly drag any dirt or grime to the outside of the transparent surface.
7. Gently polish the transparent surfaces until they are free of haze and lint.



Always dry the transparent surfaces carefully after cleaning them.

6. Technical Specifications

Dimensions and Weight

Length	Width	Height	Weight
12.48 in (317 mm)	12.83 in (326 mm)	14 in (363 mm)	12.2 lb (5.6 kg)

Note: Dimensions in inches rounded to the nearest hundredth.

Power

Power Supply Type	Range	Voltage Selection
Switching (internal)	100 to 240 VAC, 50/60 Hz	Auto-ranging

Parameter	120 V, 60 Hz	208 V, 60 Hz	230 V, 50 Hz
Consumption	176 W	175 W	180 W
Operating Current	1.45 A	0.84 A	0.78 A
Power-linking current (products)	6.6 A (9 products)	5.2 A (16 products)	5.8 A (17 products)

Power I/O	U.S./Canada	Worldwide
Power input connector	Neutrik® powerCON®	Neutrik® powerCON®
Power output connector	Neutrik® powerCON®	Neutrik® powerCON®
Power cord plug	Edison (U.S.)	Local plug

Light Source

Type	Color	Quantity	Power	Current	Lifespan
LED	Red	10	3–5 W	1 A	50,000 hours
	Green	10			
	Blue	8			
	Amber	8			
	Lime green	12			

Photometrics

Parameter	Medium Lens	Wide Lens
Beam Angle	21°	52°
Field Angle	35°	82°
Illuminance @ 5 m	1,350	254

Thermal

Maximum External Temperature	Cooling System
113 °F (45 °C)	Convection

DMX

I/O Connector	Channel Range
3- and 5-pin XLR	1, 3, 5, 7, 10, 12, 13, 16, and HSV

Ordering

Product Name	Item Code	UPC Number
Ovation P-56FC	03031500	781462218485



RoHS



Returns

Returns

To get support or to return a product, contact:

- If you are located in the U.S., contact Chauvet World Headquarters.
- If you are located in the U.K. or Ireland, contact Chauvet Europe Ltd.
- If you are located in Benelux, contact Chauvet Europe BVBA.
- If you are located in France, contact Chauvet France.
- If you are located in Germany, contact Chauvet Germany.
- If you are located in Mexico, contact Chauvet Mexico.
- If you are located in any other country, DO NOT contact Chauvet. Instead, contact your local distributor. See www.chauvetprofessional.com for distributors outside the U.S., U.K., Ireland, Benelux, France, Germany, or Mexico.



If you are located outside the U.S., U.K., Ireland, Benelux, France, Germany, or Mexico, contact your distributor of record and follow their instructions on how to return Chauvet products to them. Visit our website www.chauvetprofessional.com for contact details.

Call the corresponding Chauvet Technical Support office and request a Return Merchandise Authorization (RMA) number before shipping the product. Be prepared to provide the model number, serial number, and a brief description of the cause for the return.

To submit a service request online, go to www.chauvetprofessional.com/service-request.

Send the merchandise prepaid, in its original box, and with its original packing and accessories. Chauvet will not issue call tags.

Clearly label the package with the RMA number. Chauvet will refuse any product returned without an RMA number.



Write the RMA number on a properly affixed label. DO NOT write the RMA number directly on the box.

Before sending the product, clearly write the following information on a piece of paper and place it inside the box:

- Your name
- Your address
- Your phone number
- RMA number
- A brief description of the problem

Be sure to pack the product properly. Any shipping damage resulting from inadequate packaging will be your responsibility. FedEx packing or double-boxing are recommended.



Chauvet reserves the right to use its own discretion to repair or replace returned product(s).

Contact Us

General Information	Technical Support
Chauvet World Headquarters	
Address: 5200 NW 108th Ave. Sunrise, FL 33351 Voice: (954) 577-4455 Fax: (954) 929-5560 Toll Free: (800) 762-1084	Voice: (844) 393-7575 Fax: (954) 756-8015 Email: chauvetcs@chauvetlighting.com Website: www.chauvetprofessional.com
Chauvet U.K.	
Address: Unit 1C Brookhill Road Industrial Estate Pinxton, Nottingham, UK NG16 6NT Voice: +44 (0) 1773 511115 Fax: +44 (0) 1773 511110	Email: UKtech@chauvetlighting.eu Website: www.chauvetprofessional.eu
Chauvet Benelux	
Address: Stokstraat 18 9770 Kruishoutem Belgium Voice: +32 9 388 93 97	Email: BNLtech@chauvetlighting.eu Website: www.chauvetprofessional.eu
Chauvet France	
Address: 3, Rue Ampère 91380 Chilly-Mazarin France Voice: +33 1 78 85 33 59	Email: FRtech@chauvetlighting.fr Website: www.chauvetprofessional.eu
Chauvet Germany	
Address: Bruno-Bürgel-Str. 11 28759 Bremen Germany Voice: +49 421 62 60 20	Email: DEtech@chauvetlighting.de Website: www.chauvetprofessional.eu
Chauvet Mexico	
Address: Av. de las Partidas 34 - 3B (Entrance by Calle 2) Zona Industrial Lerma Lerma, Edo. de México, CP 52000 Voice: +52 (728) 690-2010	Email: servicio@chauvet.com.mx Website: www.chauvetprofessional.mx

Visit the applicable website above to verify our contact information and instructions to request support. Outside the U.S., U.K., Ireland, France, Germany, Benelux, or Mexico, contact the dealer of record.