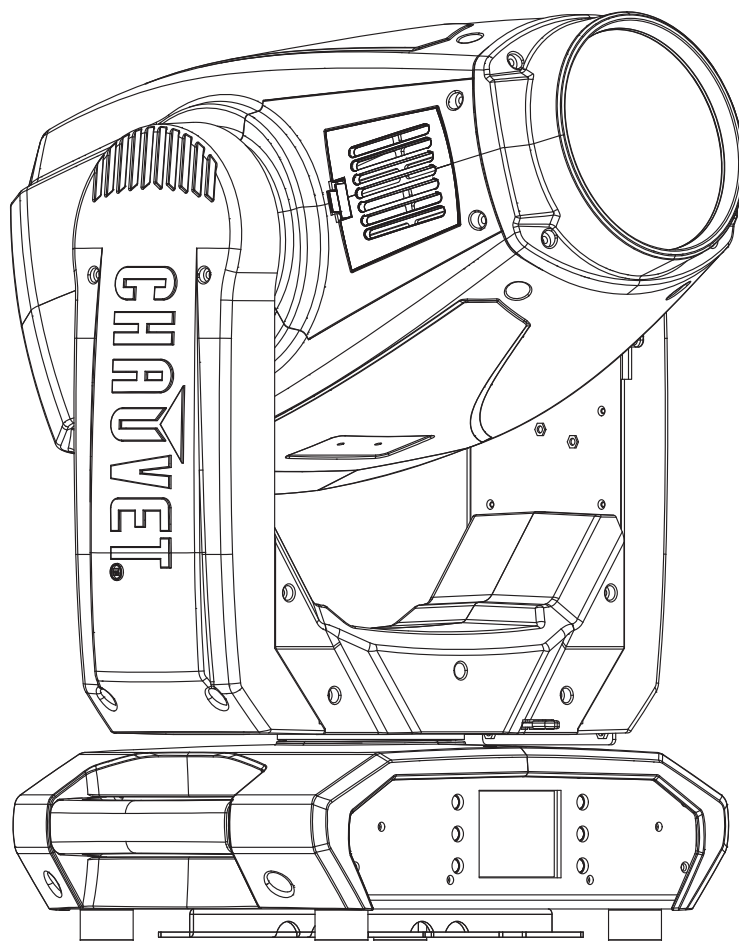


MAVERICK

MK1 SPOT

Quick Reference Guide

English	EN
Español	ES
Français	FR
Nederlands	NL



About This Guide

The Maverick MK1 Spot Quick Reference Guide (QRG) has basic product information such as connection, mounting, menu options, and DMX values. Download the User Manual from www.chauvetprofessional.com for more details.

Disclaimer

The information and specifications contained in this QRG are subject to change without notice.

Safety Notes

- DO NOT open this product. It contains no user-serviceable parts.
- To eliminate unnecessary wear and improve its lifespan, during periods of non-use completely disconnect the product from power via breaker or by unplugging it.
- DO NOT look at the light source when the product is on.
- CAUTION: This product's housing may be hot when lights are operating. Mount this product in a location with adequate ventilation, at least 20 in (50 cm) from adjacent surfaces.
- DO NOT leave any flammable material within 50 cm of this product while operating or connected to power.
- CAUTION: When transferring product from extreme temperature environments, (e.g., cold truck to warm humid ballroom) condensation may form on the internal electronics of the product. To avoid causing a failure, allow product to fully acclimate to the surrounding environment before connecting it to power.
- USE a safety cable when mounting this product overhead.
- DO NOT operate this product outdoors or in any location where dust, excessive heat, water, or humidity may affect it. (IP20)
- DO NOT operate this product if the housing, lenses, or cables appear damaged.
- DO NOT connect this product to a dimmer or rheostat.
- ONLY connect this product to a grounded and protected circuit.
- ONLY use the hanging/mounting bracket to carry this product. Do not carry by the moving head.
- In the event of a serious operating problem, stop using immediately.
- The maximum ambient temperature is 113 °F (45 °C). Do not operate this product at higher temperatures.

Contact

Outside the U.S., United Kingdom, Ireland, Mexico, or Benelux, contact your distributor to request support or return a product. From inside the U.S., UK, Ireland, Mexico, or Benelux, use the information in [Contact Us](#) at the end of this QRG.

What is Included

- Maverick MK1 Spot
- Seetronic Powerkon IP65 power cord
- 2 Omega brackets with mounting hardware
- Warranty Card
- Quick Reference Guide

AC Power

This product has an auto-ranging power supply that can work with an input voltage range of 100–240 VAC, 50/60 Hz.

AC Plug

Connection	Wire (U.S.)	Wire (Europe)	Screw Color
AC Live	Black	Brown	Yellow/Brass
AC Neutral	White	Blue	Silver
AC Ground	Green/Yellow	Green/Yellow	Green



To eliminate unnecessary wear and improve its lifespan, during periods of non-use completely disconnect the product from power via breaker or by unplugging it.

Replacing The Fuse

1. Disconnect this product from power
2. Using a flat head screwdriver, unscrew the fuse holder cap from the housing.
3. Remove blown fuse and replace with a good fuse of the same type and rating.
4. Screw the fuse holder cap back in place and reconnect power.

DMX Linking

The Maverick MK1 Spot will work with a DMX controller using a 3- or 5-pin DMX serial connection. A DMX Primer is available from www.chauvetprofessional.com.

DMX Connection

The Maverick MK1 Spot uses a 3- or 5-pin DMX data connection for its DMX personalities: **22Ch** and **29Ch**. See the User Manual for information about connecting and configuring the product for DMX operation.

Signal Connection

The Maverick MK1 Spot can link to controller software using an Ethernet connection. If using other Art-Net™ or sACN - compatible products with the Maverick MK2 Spot, you can control each individually on a single network. See the User Manual for information about how to connect and configure the product for these signals.

Art-Net™ Connection

Art-Net™ is an Ethernet protocol that uses TCP/IP which transfers a large amount of DMX512 data using an Neutrik® etherCON® RJ45 connection over a large network. An Art-Net™ protocol document is available from www.chauvetprofessional.com. Chauvet Professional recommends using unicast Art-Net™ for best results.

Art-Net™ designed by and copyright Artistic Licence Holdings Ltd.

sACN Connection

Also known as ANSI E1.31, Streaming-ACN is an Ethernet protocol that uses the layering and formatting of Architecture for Control Networks to transport DMX512 data over IP or any other ACN compatible network. ACN is maintained by the Professional Lighting and Sound Association (PLASA).

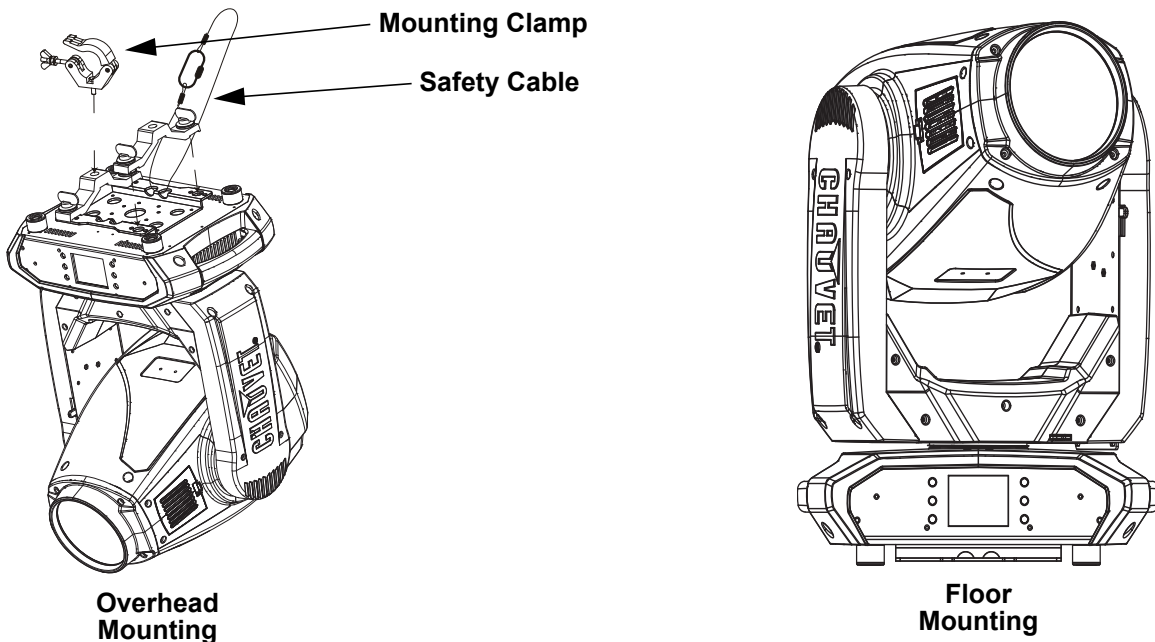
RDM (Remote Device Management)

Remote Device Management, or RDM, is a standard for allowing DMX-enabled devices to communicate bi-directionally along existing DMX cabling. Check the DMX controller's User Manual or with the manufacturer as not all DMX controllers have this capability. The Maverick MK1 Spot supports RDM protocol that allows feedback to make changes to menu map options. Download the User Manual from www.chauvetprofessional.com for more details.

Mounting

Before mounting this product, read the [Safety Notes](#). Use at least one mounting point per product. Make sure the mounting clamps are capable of supporting the weight of the product. For our Chauvet line of mounting clamps, go to <http://trusst.com/productcategory/truss-clamps/>

Product Mounting Diagram

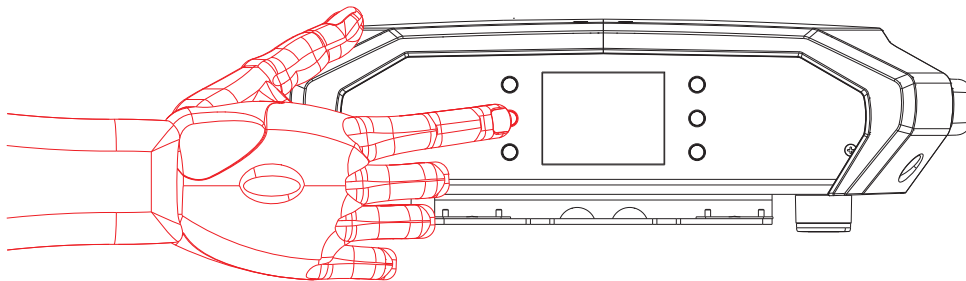


Control Panel Description

Button	Function
↑	Navigates upwards through the menu list or increases the numeric value when in a function
≡	Exits from the current menu or function
↓	Navigates downwards through the menu list or decreases the numeric value when in a function
←	Navigates left through the menu list
↶	Enables the currently displayed menu or sets the currently selected value into the selected function
→	Navigates right through the menu list

Battery Powered Display

Press and hold until menu screen appears (approx 15 sec.).



Menu Map

Main Level Address	Programming Levels		Description
	000–255		Network Setting
Network Setup	IP Mode	Manual	Selection of IP mode
		DHCP	
		Static	
	Universe	000–255	Set the Universe
	ArtNetIp	002.243.075.222	IP setting
	SubMask	255.000.000.000	Subnet Mask
Personality	DMX 22CH	YES	Choose 22 Channels of DMX
		NO	
	DMX 29CH	YES	Choose 29 Channels of DMX
		NO	
Settings	Control Mode	DMX	Signal Selection
		WDMX	
		sACN	
		ArtNet	
	Pan Reverse	YES	Reverse the Pan
		NO	
	Tilt Reverse	YES	Reverse the Tilt
		NO	
	Screen Reverse	NO	Manually or automatically reverse the screen
		YES	
AUTO			
Pan Angle	540	Change the Pan angle	
	360		
	180		

Main Level	Programming Levels		Description
Settings	Tilt Angle	270	Change the Tilt angle
		180	
		90	
	BL. O. P/T Move	YES	Enable/disable XY blackout
		NO	
	BL. O. Color Move	YES	Enable/disable color blackout
		NO	
	BL. O. Gobo Move	YES	Enable/disable gobo blackout
		NO	
	Calibration	YES	Turn on Calibration
		NO	
	Touchscreen Lock	YES	Lock the touchscreen
		NO	
	Lock Screen	YES	Lock the buttons and touchscreen
		NO	
	Swap X/Y	YES	Swap the pan and tilt
		NO	
	X/Y Mode	Fast	Pan and tilt speed
		Slow	
	WDMX Reset	YES	Reset the wireless DMX
		NO	
	Backlight Timer	30S	Set the backlight to turn off automatically after a chosen time
		1M	
		5M	
		ON	
	Loss of Data	Hold	Loss of data setting
		Close	
	Fans	Auto	Change the fan speed mode
		Full	
		ECO	
Dimmer Curve	Linear	Set the dimmer curve	
	Square		
	1 Square		
	Scurve		
Dimmer Speed	Smooth	Change the dimmer speed	
	Fast		
PWM Option	600	PWM selection	
	1200		
	2000		
	4000		
	6000		
Preset Select	25000	Recorded preset menu options	
	PRESET A		
	PRESET B		
Preset Sync	PRESET C	Allows recorded preset menu options to be transferred to other Maverick MK1 Spots in the DMX daisy chain	
	NO		
Reset Function	YES	Reset individual functions to factory	
	Pan/Tilt		YES/NO
	Iris/Prism		
Color/CMY+CTO			

QUICK REFERENCE GUIDE



EN

Main Level	Programming Levels			Description
Settings	Reset Function	Gobo/ Gobo Rotate	YES/NO	Reset individual functions to factory
		Zoom/ Frost/ Focus		
		All		
Factory Settings		YES		Reset all functions to factory
		NO		
Test	Auto Test			Auto test the product
	Manual Test	Pan	000 ~ 255	Individually test each function/channel
		Pan Fine		
		Tilt		
		Tilt Fine		
		P/T Speed		
		Dimmer		
		Dimmer Fine		
		Shutter		
		Virtual Shaking		
		Cyan		
		Magenta		
		Yellow		
		Color		
		Gobo 1		
		Gobo 1 Rotate Fine		
		Gobo 1 Index		
		Gobo 2		
		Focus		
		Focus Fine		
		Focus Auto		
		Zoom		
		Zoom Fine		
		Prism		
		Prism Rotate		
		Iris		
		Frost		
CMY Macro				
CMY Macro Speed				
Special Function				
Information	Fixture Information	Ver V1	Current Version	
		Running Mode DMX	Current Mode	
		DMX Address		
		Temperature	Current Temperature	
		Fixture Hours	Current active hours	
		ArtNetIp	Current IP address	
		SubMask	Current subnet mask	
		MAC Address	MAC address	
	Fan Information	Base Fan 1 Speed	View speed setting	
		Base Fan 2 Speed		
		Head Fan 1 Speed		
		Head Fan 2 Speed		
	Error Information	_____	Will appear on screen	

Main Level	Programming Levels			Description
Information	Channel Information	Frequency	Hz	Status of individual channel
		Pan	000 ~ 255	
		Pan Fine		
		Tilt		
		Tilt Fine		
		P/T Speed		
		Dimmer		
	Channel Information	Dimmer Fine	000 ~ 255	Status of individual channel
		Shutter		
		Virtual Shaking		
		Cyan		
		Magenta		
		Yellow		
		Color		
		Gobo 1		
		Gobo 1 Rotate Fine		
		Gobo 1 Index		
		Gobo 2		
		Focus		
		Focus Fine		
		Focus Auto		
		Zoom		
		Zoom Fine		
		Prism		
		Prism Rotate		
		Iris		
		Frost		
CMY Macro				
CMY Macro Speed				
Special Function				

DMX Values

29 Ch

Channel	Function	Value	Percent/Setting
1	Pan	000 ⇄ 255	0-100%
2	Fine Pan	000 ⇄ 255	Fine control (16-bit)
3	Tilt	000 ⇄ 255	0-100%
4	Fine Tilt	000 ⇄ 255	Fine control (16-bit)
5	Pan/Tilt Speed	000 ⇄ 255	0-100%
6	Dimmer	000 ⇄ 255	0-100%
7	Fine Dimmer	000 ⇄ 255	Fine control (16-bit)
8	Shutter	000 ⇄ 003	Closed
		004 ⇄ 007	Open
		008 ⇄ 076	Slow to fast
		077 ⇄ 145	Pulse effect from slow to fast
		146 ⇄ 215	Random effect from slow to fast
9	Virtual Strobe	216 ⇄ 255	Open
		000 ⇄ 001	No function
		002 ⇄ 128	Shaking strobe, slow to fast
		129 ⇄ 255	Fade in/out, slow to fast
10	Cyan	000 ⇄ 255	0-100%
11	Magenta	000 ⇄ 255	0-100%
12	Yellow	000 ⇄ 255	0-100%

QUICK REFERENCE GUIDE



EN

Channel	Function	Value	Percent/Setting
13	Color Wheel	000 ⇄ 006	Open
		007 ⇄ 013	Red
		014 ⇄ 020	Orange
		021 ⇄ 027	Green
		028 ⇄ 034	Blue
		035 ⇄ 041	Magenta
		042 ⇄ 048	UV
		049 ⇄ 059	CTO
		060 ⇄ 187	Split colors
		188 ⇄ 219	Clockwise color scroll, fast to slow
		220 ⇄ 223	Stop
		224 ⇄ 255	Counter-clockwise color scroll, slow to fast
14	Gobo Wheel 1	000 ⇄ 007	Open
		008 ⇄ 015	Gobo 1 (Sailboat)
		016 ⇄ 023	Gobo 2 (Wavy Bar)
		024 ⇄ 031	Gobo 3 (Dot Crickets)
		032 ⇄ 039	Gobo 4 (Nuts n' Bolts)
		040 ⇄ 047	Gobo 5 (Linear Ovals)
		048 ⇄ 055	Gobo 6 (Star Field)
		056 ⇄ 063	Gobo 7 (Shower Glass)
		064 ⇄ 071	Gobo 7 Shaking
		072 ⇄ 079	Gobo 6 Shaking
		080 ⇄ 087	Gobo 5 Shaking
		088 ⇄ 095	Gobo 4 Shaking
		096 ⇄ 103	Gobo 3 Shaking
		104 ⇄ 111	Gobo 2 Shaking
		112 ⇄ 119	Gobo 1 Shaking
		120 ⇄ 127	Open
		128 ⇄ 191	Clockwise gobo scroll, slow to fast
192 ⇄ 255	Counter-clockwise gobo scroll, slow to fast		
15	Gobo 1 Rotate	000 ⇄ 063	Rotating gobo index
		064 ⇄ 145	Clockwise rotating, fast to slow
		146 ⇄ 149	Stop
		150 ⇄ 231	Counter-clockwise rotating, slow to fast
		232 ⇄ 255	Bounce effect
16	Gobo Wheel 1 Index Fine	000 ⇄ 255	Fine control (16-bit)
17	Gobo Wheel 2	000 ⇄ 006	Open
		007 ⇄ 013	Gobo 1 (Cheese Puffs)
		014 ⇄ 020	Gobo 2 (Tight Breakups)
		021 ⇄ 027	Gobo 3 (Spot Breakup)
		028 ⇄ 034	Gobo 4 (Triangle)
		035 ⇄ 041	Gobo 5 (Circuits)
		042 ⇄ 048	Gobo 6 (Random Dots)
		049 ⇄ 063	Gobo 7 (Scary Forest)
		064 ⇄ 070	Gobo 7 Shaking
		071 ⇄ 077	Gobo 6 Shaking
		078 ⇄ 084	Gobo 5 Shaking
		085 ⇄ 091	Gobo 4 Shaking
		092 ⇄ 098	Gobo 3 Shaking
		099 ⇄ 105	Gobo 2 Shaking
		106 ⇄ 112	Gobo 1 Shaking
		113 ⇄ 127	Open
		128 ⇄ 191	Clockwise gobo scroll, slow to fast
192 ⇄ 255	Counter-clockwise gobo scroll, slow to fast		
18	Focus	000 ⇄ 255	0-100%
19	Fine Focus	000 ⇄ 255	Fine control (16-bit)

Channel	Function	Value	Percent/Setting
20	Auto Focus	000 ⇄ 010	No function
		011 ⇄ 030	0-5 m
		031 ⇄ 050	6 m
		051 ⇄ 070	7 m
		071 ⇄ 090	8 m
		091 ⇄ 110	9 m
		111 ⇄ 130	10 m
		131 ⇄ 150	12.5 m
		151 ⇄ 170	15 m
		171 ⇄ 190	17.5 m
		191 ⇄ 210	20~60 m
	211 ⇄ 255	Auto-detect distance	
21	Zoom	000 ⇄ 255	Narrow-wide
22	Fine Zoom	000 ⇄ 255	Fine control (16-bit)
23	Prism	000 ⇄ 004	No function
		005 ⇄ 255	Prism Effect
24	Prism Rotate	000 ⇄ 127	Rotating position
		128 ⇄ 189	Clockwise rotating, fast to slow
		190 ⇄ 193	Stop
		194 ⇄ 255	Counter-clockwise rotating, slow to fast
25	Iris	000 ⇄ 063	Big to small
		064 ⇄ 127	Auto change, slow to fast
		128 ⇄ 191	Slow zoom out, fast zoom in (slow to fast)
		192 ⇄ 255	Slow zoom in, fast zoom out (slow to fast)
26	Frost	000 ⇄ 255	0-100%
27	CMY Macro	000 ⇄ 009	No function
		010 ⇄ 255	CMY macro
28	CMY Macro Speed	000 ⇄ 255	100%-0
29	Control	000 ⇄ 007	No function
		008 ⇄ 015	XY blackout
		016 ⇄ 023	C blackout
		024 ⇄ 031	G blackout
		032 ⇄ 039	XYC blackout
		040 ⇄ 047	XYG blackout
		048 ⇄ 055	XYCG blackout
		056 ⇄ 095	no function
		096 ⇄ 103	X reset
		104 ⇄ 111	Y reset
		112 ⇄ 119	Color reset
		120 ⇄ 127	Gobo & gobo rotating reset
		128 ⇄ 135	No function
		136 ⇄ 143	Prism reset
		144 ⇄ 151	No function
		152 ⇄ 159	All reset
		160 ⇄ 167	Iris reset
		168 ⇄ 175	Frost reset
		176 ⇄ 183	Zoom reset
		184 ⇄ 191	CMY reset
		192 ⇄ 199	Fan low speed
		200 ⇄ 207	Fan full speed
		208 ⇄ 215	Fan auto
		216 ⇄ 220	No function
		221 ⇄ 225	Iris Fast mode
		226 ⇄ 230	Iris Smooth mode
		231 ⇄ 235	XY swap on
		236 ⇄ 240	XY swap off
		241 ⇄ 255	no function

QUICK REFERENCE GUIDE



EN

22 Ch

Channel	Function	Value	Percent/Setting
1	Pan	000 ⇄ 255	0-100%
2	Fine Pan	000 ⇄ 255	Fine control (16-bit)
3	Tilt	000 ⇄ 255	0-100%
4	Fine Tilt	000 ⇄ 255	Fine control (16-bit)
5	Pan/Tilt Speed	000 ⇄ 255	0-100%
6	Dimmer	000 ⇄ 255	0-100%
7	Shutter	000 ⇄ 003	Closed
		004 ⇄ 007	Open
		008 ⇄ 076	Slow to fast
		077 ⇄ 145	Pulse effect from slow to fast
		146 ⇄ 215	Random effect from slow to fast
		216 ⇄ 255	Open
8	Virtual Strobe	000 ⇄ 001	No function
		002 ⇄ 128	Shaking strobe, slow to fast
		129 ⇄ 255	Fade in/out, slow to fast
9	Cyan	000 ⇄ 255	0-100%
10	Magenta	000 ⇄ 255	0-100%
11	Yellow	000 ⇄ 255	0-100%
12	Color Wheel	000 ⇄ 006	Open
		007 ⇄ 013	Red
		014 ⇄ 020	Orange
		021 ⇄ 027	Green
		028 ⇄ 034	Blue
		035 ⇄ 041	Magenta
		042 ⇄ 048	UV
		049 ⇄ 059	CTO
		060 ⇄ 187	Split colors
		188 ⇄ 219	Clockwise color scroll, fast to slow
		220 ⇄ 223	Stop
224 ⇄ 255	Counter-clockwise color scroll, slow to fast		
13	Gobo Wheel 1	000 ⇄ 007	Open
		008 ⇄ 015	Gobo 1 (Sailboat)
		016 ⇄ 023	Gobo 2 (Wavy Bar)
		024 ⇄ 031	Gobo 3 (Dot Crickets)
		032 ⇄ 039	Gobo 4 (Nuts n' Bolts)
		040 ⇄ 047	Gobo 5 (Linear Ovals)
		048 ⇄ 055	Gobo 6 (Star Field)
		056 ⇄ 063	Gobo 7 (Shower Glass)
		064 ⇄ 071	Gobo 7 Shaking
		072 ⇄ 079	Gobo 6 Shaking
		080 ⇄ 087	Gobo 5 Shaking
		088 ⇄ 095	Gobo 4 Shaking
		096 ⇄ 103	Gobo 3 Shaking
		104 ⇄ 111	Gobo 2 Shaking
		112 ⇄ 119	Gobo 1 Shaking
		120 ⇄ 127	Open
		128 ⇄ 191	Clockwise gobo scroll, slow to fast
192 ⇄ 255	Counter-clockwise gobo scroll, slow to fast		
14	Gobo 1 Rotate	000 ⇄ 063	Rotating gobo index
		064 ⇄ 145	Clockwise rotating, fast to slow
		146 ⇄ 149	Stop
		150 ⇄ 231	Counter-clockwise rotating, slow to fast
		232 ⇄ 255	Bounce effect

Channel	Function	Value	Percent/Setting
15	Gobo Wheel 2	000 ⇄ 006	Open
		007 ⇄ 013	Gobo 1 (Cheese Puffs)
		014 ⇄ 020	Gobo 2 (Tight Breakups)
		021 ⇄ 027	Gobo 3 (Spot Breakup)
		028 ⇄ 034	Gobo 4 (Triangle)
		035 ⇄ 041	Gobo 5 (Circuits)
		042 ⇄ 048	Gobo 6 (Random Dots)
		049 ⇄ 063	Gobo 7 (Scary Forest)
		064 ⇄ 070	Gobo 7 Shaking
		071 ⇄ 077	Gobo 6 Shaking
		078 ⇄ 084	Gobo 5 Shaking
		085 ⇄ 091	Gobo 4 Shaking
		092 ⇄ 098	Gobo 3 Shaking
		099 ⇄ 105	Gobo 2 Shaking
		106 ⇄ 112	Gobo 1 Shaking
		113 ⇄ 127	Open
128 ⇄ 191	Clockwise gobo scroll, slow to fast		
192 ⇄ 255	Counter-clockwise gobo scroll, slow to fast		
16	Focus	000 ⇄ 255	0-100%
17	Zoom	000 ⇄ 255	Narrow-wide
18	Prism	000 ⇄ 004	No function
		005 ⇄ 255	Prism Effect
19	Prism Rotate	000 ⇄ 127	Rotating position
		128 ⇄ 189	Clockwise rotating, fast to slow
		190 ⇄ 193	Stop
		194 ⇄ 255	Counter-clockwise rotating, slow to fast
20	Iris	000 ⇄ 063	Big to small
		064 ⇄ 127	Auto change, slow to fast
		128 ⇄ 191	Slow zoom out, fast zoom in (slow to fast)
		192 ⇄ 255	Slow zoom in, fast zoom out (slow to fast)
21	Frost	000 ⇄ 255	100%-0
22	Control	000 ⇄ 007	No function
		008 ⇄ 015	XY blackout
		016 ⇄ 023	C blackout
		024 ⇄ 031	G blackout
		032 ⇄ 039	XYC blackout
		040 ⇄ 047	XYG blackout
		048 ⇄ 055	XYCG blackout
		056 ⇄ 095	no function
		096 ⇄ 103	X reset
		104 ⇄ 111	Y reset
		112 ⇄ 119	Color reset
		120 ⇄ 127	Gobo & gobo rotating reset
		128 ⇄ 135	No function
		136 ⇄ 143	Prism reset
		144 ⇄ 151	No function
		152 ⇄ 159	All reset
		160 ⇄ 167	Iris reset
		168 ⇄ 175	Frost reset
		176 ⇄ 183	Zoom reset
		184 ⇄ 191	CMY reset
		192 ⇄ 199	Fan low speed
		200 ⇄ 207	Fan full speed
		208 ⇄ 215	Fan auto
		216 ⇄ 220	No function
		221 ⇄ 225	Iris Fast mode
		226 ⇄ 230	Iris Smooth mode
		231 ⇄ 235	XY swap on
236 ⇄ 240	XY swap off		
241 ⇄ 255	no function		

Acerca de Esta Guía

La Guía de Referencia Rápida (GRR) del Maverick MK1 Spot contiene información básica sobre el producto, como montaje, opciones de menú y valores DMX. Descargue el Manual de Usuario de www.chauvetprofessional.com para información más detallada.

Exención de Responsabilidad

La información y especificaciones contenidas en esta GRR están sujetas a cambio sin previo aviso.

Notas de Seguridad

- NO abra este producto. No contiene piezas reparables por el usuario.
- NO mire a la fuente de luz cuando el producto esté encendido.
- Para evitar un desgaste innecesario y alargar su vida útil, desconecte complemente el producto de la alimentación, mediante el interruptor o desenchufándolo, durante los periodos en los que no se use.
- CUIDADO: cuando transfiera el producto desde ambientes con temperatura extrema (p. ej., del remolque frío de un camión a una sala de baile con calor y humedad), puede formarse condensación en la electrónica interna del producto. Para evitar que se produzca una avería, deje que el producto se aclimate completamente al ambiente antes de conectar la alimentación.
- CUIDADO: La carcasa de este producto puede estar caliente cuando las luces están en funcionamiento.
- Monte este producto en una ubicación con ventilación adecuada, al menos a 20" (50 cm) de superficies adyacentes.
- NO deje ningún material inflamable a menos de 50 cm de este producto mientras esté funcionando o conectado a la alimentación.
- USE un cable de seguridad cuando monte este producto en lo alto.
- NO ponga en funcionamiento este producto en el exterior o en cualquier ubicación en la que el polvo, calor excesivo, agua o humedad puedan afectarlo. (IP20)
- NO ponga en funcionamiento este producto si sospecha que la carcasa, lentes o cables están dañados.
- NO conecte este producto a un atenuador o reostato.
- Conecte este producto SOLO a un circuito con toma de tierra y protegido.
- Use SOLAMENTE los soportes de montaje o las asas para mover este producto. NO lo transporte agarrando por la cabeza móvil.
- En caso de un problema grave de funcionamiento, deje de usarlo inmediatamente.
- La temperatura ambiente máxima es de 113 °F (45 °C). No haga funcionar este producto a temperaturas más altas.

Contacto

Fuera de EE.UU., Reino Unido, Irlanda, México, o Benelux póngase en contacto con su distribuidor para solicitar asistencia o devolver el producto. Desde dentro de EE.UU., Reino Unido, Irlanda, México o Benelux, utilice la información de [Contact Us](#) del final de esta GRR.

Qué va Incluido

- Maverick MK1 Spot
- Seetronic Powerkon IP65 cable de alimentación
- 2 soportes Omega con material de montaje
- Tarjeta de Garantía
- Guía de Referencia Rápida

Corriente Alterna

Este producto tiene una fuente de alimentación con detección automática que puede funcionar con un rango de tensión de entrada de 100 a 240 VCA, 50/60 Hz.

Enchufe CA

Conexión	Cable (EE.UU.)	Cable (Europa)	Color del tornillo
CA Cargado	Negro	Marrón	Amarillo/Latón
CA Neutro	Blanco	Azul	Plata
CA Tierra	Verde/Amarillo	Verde/Amarillo	Verde



Para evitar un desgaste innecesario y alargar su vida útil, desconecte complemente el producto de la alimentación, mediante el interruptor o desenchufándolo, durante los periodos en los que no se use.

Sustitución del Fusible

1. Desconecte este producto de la alimentación
2. Utilizando un destornillador plano, desatornille la tapa del portafusibles de la carcasa.
3. Quite el fusible fundido del portafusibles y sustitúyalo con uno nuevo del mismo tipo y categoría.
4. Vuelva a atornillar la tapa del portafusibles en su sitio y conecte de nuevo la alimentación.

Enlace DMX

El Maverick MK1 Spot funcionará con un controlador DMX usando una conexión serie DMX normal. Hay un manual DMX disponible en www.chauvetprofessional.com.

Conexión DMX

El Maverick MK1 Spot usa una conexión de datos DMX normal para sus personalidades: **22Ch** y **29Ch**. Vea el Manual de Usuario para conectar y configurar para funcionamiento DMX.

Conexiones de señal

Puede enlazar el Maverick MK1 Spot a un controlador o software controlador usando una conexión DMX, una conexión Ethernet o ambas. Si está usando otros productos compatibles con Art-Net™, sACN o Kling-Netcon, el Maverick MK1 Spot puede controlar cada uno individualmente en una sola red. Consulte el Manual de usuario para obtener información sobre cómo conectar y configurar el producto para estas señales.

Conexión Art-Net™

Art-Net™ es un protocolo Ethernet que utiliza TCP/IP para transferir gran cantidad de datos DMX512 usando una conexión etherCON RJ45 sobre una red de gran tamaño. Hay disponible un documento sobre el protocolo Art-Net™ desde www.chauvetprofessional.com. Chauvet Professional recomienda la utilización de modo Unicast para mejores resultados.

Conexión sACN

También conocido como ANSI E1.31, el streaming ACN es un protocolo Ethernet que usa las capas y formato de Architecture for Control Networks (arquitectura para redes de control) para transportar datos DMX512 sobre IP o cualquier otra red compatible con ACN. El mantenimiento de ACN corre a cargo de la Professional Lighting and Sound Association (Asociación de Sonido e Iluminación Profesional, PLASA).

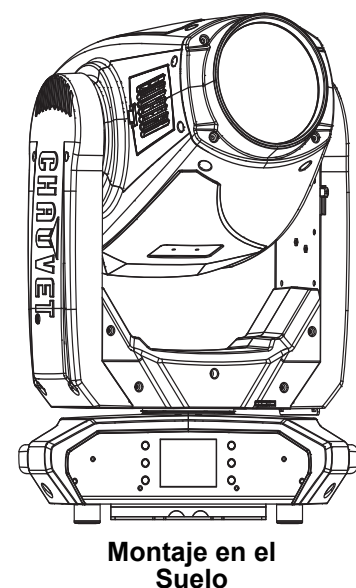
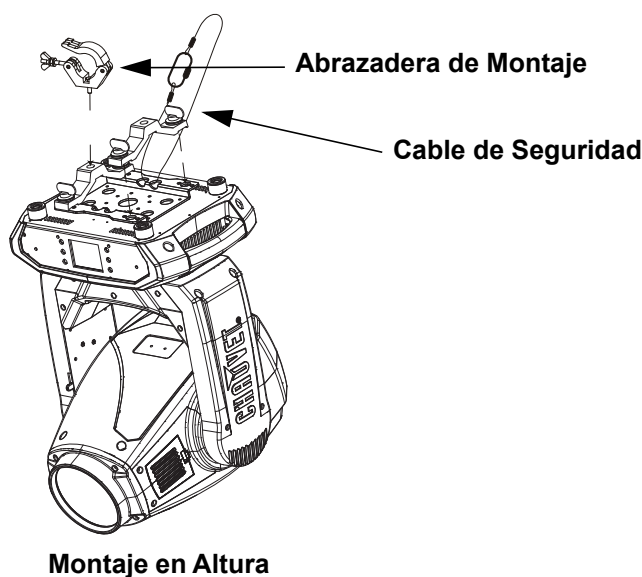
RDM (gestión remota del dispositivo)

Remote Device Management (gestión remota del dispositivo) o RDM, es un estándar que permite a los dispositivos con capacidad DMX una comunicación bidireccional por un cableado DMX existente. El Maverick MK1 Spot admite protocolo RDM, que posibilita información para supervisar cambiar las opciones del mapa de menú. Descargue el manual de usuario de www.chauvetprofessional.com para una información más detallada.

Montaje

Antes de montar este producto, lea las [Notas de Seguridad](#). Asegúrese de que las abrazaderas de montaje son capaces de soportar el peso del producto. Para nuestra línea Chauvet de abrazaderas de montaje, visite <http://trusst.com/productcategory/truss-clamps/>

Diagrama de Montaje del Producto

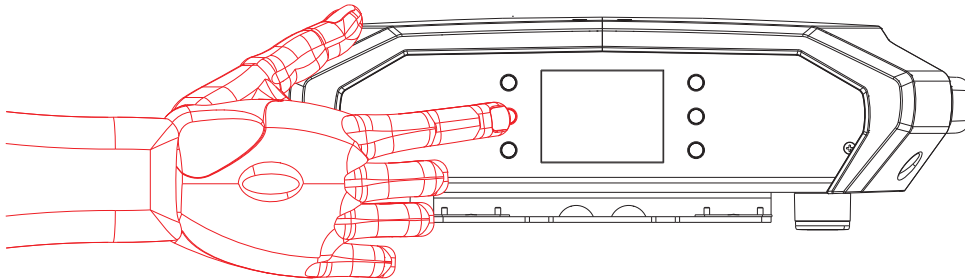


Descripción del Panel de Control

Botón	Función
↑	Navega hacia arriba por la lista de menú o aumenta el valor numérico cuando está en una función
≡	Sale del menú o función actual
↓	Navega hacia abajo por la lista de menú o disminuye el valor numérico cuando está en una función
←	Navega hacia la izquierda por la lista de menú
↶	Habilita el menú actualmente en pantalla o configura el valor seleccionado actualmente dentro de la función seleccionada
→	Navega hacia la derecha por la lista de menú

Pantalla alimentada con batería

Pulse y mantenga pulsado hasta que aparezca la pantalla de menú (aprox. 15 s).



Mapa de Menú

Nivel Principal Address	Niveles de Programación 000–255		Descripción
			Configuración de red
Network Setup	IP Mode	Manual	Selección del modo IP
		DHCP	
		Static	
	Universe	000–255	Configurar el universo
ArtNetIp	002.243.075.222	Configuración de IP	
SubMask	255.000.000.000	Máscara de subred	
Personality	DMX 22CH	YES	Escoger 22 canales de DMX
		NO	
	DMX 29CH	YES	Escoger 29 canales de DMX
		NO	
Settings	Control Mode	DMX	Selección de señal
		WDMX	
		sACN	
		ArtNet	
	Pan Reverse	YES	Invertir el movimiento panorámico
		NO	
	Tilt Reverse	YES	Invertir la inclinación
		NO	
Screen Reverse	NO	Invertir la pantalla manual o automáticamente	
	YES		
	AUTO		
Pan Angle	540	Cambiar el angulo panoramico	
	360		
	180		

Nivel Principal	Niveles de Programación		Descripción
Settings	Tilt Angle	270	Cambiar el ángulo de inclinación
		180	
		90	
	BL. O. P/T Move	YES	Habilitar/deshabilitar el blackout XY
		NO	
	BL. O. Color Move	YES	Habilitar/deshabilitar el blackout de color
		NO	
	BL. O. Gobo Move	YES	Habilitar/deshabilitar el blackout de gobo
		NO	
	Calibration	YES	Encender calibración
		NO	
	Touchscreen Lock	YES	Bloquear la pantalla
		NO	
	Lock Screen	YES	Bloqueo de los botones y pantalla táctil PASSCODE: 0920
		NO	
	Swap X/Y	YES	Intercambiar movimiento panorámico y de inclinación
		NO	
	X/Y Mode	Fast	Cambiar la velocidad del
		Slow	
	WDMX Reset	YES	Reiniciar DMX inalámbrico
		NO	
	Backlight Timer	30S	Configura la retroiluminación para que se apague transcurrido cierto tiempo
		1M	
		5M	
		ON	
	Loss of Data	Hold	Configuración de pérdida de datos
		Close	
	Fans	Auto	Cambiar el modo de velocidad del ventilador
Full			
ECO			
Dimmer Curve	Linear	Configurar la curva del atenuador	
	Square		
	I Square		
	Scurve		
Dimmer Speed	Smooth	Cambiar la velocidad del atenuador	
	Fast		
PWM Option	600	Selecciona la frecuencia de emisión PWM	
	1200		
	2000		
	4000		
	6000		
	25000		
Preset Select	PRESET A	Opciones de menú preconfiguradas grabadas	
	PRESET B		
	PRESET C		
Preset Sync	NO	Permite transferir las opciones de menú preconfiguradas grabadas a otros Maverick MK1 Spots de la cadena DMX	
	YES		

Nivel Principal	Niveles de Programación		Descripción																														
Settings	Reset Function	<table border="1"> <tr><td>Pan/Tilt</td></tr> <tr><td>Iris/Prism</td></tr> <tr><td>Color/CMY+CTO</td></tr> <tr><td>Gobo/Gobo Rotate</td></tr> <tr><td>Zoom/Frost/Focus</td></tr> <tr><td>All</td></tr> </table>	Pan/Tilt	Iris/Prism	Color/CMY+CTO	Gobo/Gobo Rotate	Zoom/Frost/Focus	All	<table border="1"> <tr><td>YES/NO</td></tr> </table> <p>Restablecer las funciones individuales a los valores de fábrica</p>	YES/NO																							
		Pan/Tilt																															
Iris/Prism																																	
Color/CMY+CTO																																	
Gobo/Gobo Rotate																																	
Zoom/Frost/Focus																																	
All																																	
YES/NO																																	
Factory Settings	<table border="1"> <tr><td>YES</td></tr> <tr><td>NO</td></tr> </table>	YES	NO	Restablecer todas las funciones a los valores de fábrica																													
YES																																	
NO																																	
Test	Auto Test		Hacer una prueba automática del producto																														
	Manual Test	<table border="1"> <tr><td>Pan</td></tr> <tr><td>Pan Fine</td></tr> <tr><td>Tilt</td></tr> <tr><td>Tilt Fine</td></tr> <tr><td>P/T Speed</td></tr> <tr><td>Dimmer</td></tr> <tr><td>Dimmer Fine</td></tr> <tr><td>Shutter</td></tr> <tr><td>Virtual Shaking</td></tr> <tr><td>Cyan</td></tr> <tr><td>Magenta</td></tr> <tr><td>Yellow</td></tr> <tr><td>Color</td></tr> <tr><td>Gobo 1</td></tr> <tr><td>Gobo 1 Rotate Fine</td></tr> <tr><td>Gobo 1 Index</td></tr> <tr><td>Gobo 2</td></tr> <tr><td>Focus</td></tr> <tr><td>Focus Fine</td></tr> <tr><td>Focus Auto</td></tr> <tr><td>Zoom</td></tr> <tr><td>Zoom Fine</td></tr> <tr><td>Prism</td></tr> <tr><td>Prism Rotate</td></tr> <tr><td>Iris</td></tr> <tr><td>Frost</td></tr> <tr><td>CMY Macro</td></tr> <tr><td>CMY Macro Speed</td></tr> <tr><td>Special Function</td></tr> </table>	Pan	Pan Fine	Tilt	Tilt Fine	P/T Speed	Dimmer	Dimmer Fine	Shutter	Virtual Shaking	Cyan	Magenta	Yellow	Color	Gobo 1	Gobo 1 Rotate Fine	Gobo 1 Index	Gobo 2	Focus	Focus Fine	Focus Auto	Zoom	Zoom Fine	Prism	Prism Rotate	Iris	Frost	CMY Macro	CMY Macro Speed	Special Function	<table border="1"> <tr><td>000 ~ 255</td></tr> </table> <p>Comprobar individualmente cada función/canal</p>	000 ~ 255
		Pan																															
		Pan Fine																															
		Tilt																															
		Tilt Fine																															
		P/T Speed																															
		Dimmer																															
		Dimmer Fine																															
		Shutter																															
		Virtual Shaking																															
		Cyan																															
		Magenta																															
		Yellow																															
		Color																															
		Gobo 1																															
		Gobo 1 Rotate Fine																															
		Gobo 1 Index																															
		Gobo 2																															
		Focus																															
		Focus Fine																															
		Focus Auto																															
		Zoom																															
		Zoom Fine																															
		Prism																															
		Prism Rotate																															
		Iris																															
Frost																																	
CMY Macro																																	
CMY Macro Speed																																	
Special Function																																	
000 ~ 255																																	

Nivel Principal	Niveles de Programación		Descripción
Information	Fixture Information	Ver V1	Versión actual
		Running Mode DMX	Modo actual
		DMX Address	
		Temperature	Temperatura actual
		Fixture Hours	Horas activas actuales
		ArtNetIp	Dirección IP actual
		SubMask	Máscara de subred actual
	Fan Information	MAC Address	Dirección MAC
		Base Fan 1 Speed	Ver configuración de velocidad
		Base Fan 2 Speed	
		Head Fan 1 Speed	
	Head Fan 2 Speed		
	Error Information		Aparecerá en la pantalla
Information	Channel Information	Frequency	Hz
		Pan	000 ~ 255
		Pan Fine	
		Tilt	
		Tilt Fine	
		P/T Speed	
		Dimmer	
		Dimmer Fine	
		Shutter	
		Virtual Shaking	
		Cyan	
		Magenta	
		Yellow	
		Color	
		Gobo 1	
		Gobo 1 Rotate Fine	
		Gobo 1 Index	
		Gobo 2	
		Focus	
		Focus Fine	
		Focus Auto	
		Zoom	
		Zoom Fine	
		Prism	
		Prism Rotate	
		Iris	
		Frost	
CMY Macro			
CMY Macro Speed			
Special Function			
			Estado del canal individual

Valores DMX
29 Ch

Canal	Función	Valor	Porcentaje/Configuración
1	Movimiento panorámico	000 ⇔ 255	0-100%
2	Movimiento panorámico fino	000 ⇔ 255	0-100%
3	Inclinación	000 ⇔ 255	0-100%
4	Inclinación fina	000 ⇔ 255	0-100%

GUÍA DE REFERENCIA RÁPIDA

ES

Canal	Función	Valor	Porcentaje/Configuración
5	Velocidad movimiento panorámico/ Inclinación	000 ⇔ 255	0-100%
6	Atenuador	000 ⇔ 255	0-100%
7	Atenuador fino	000 ⇔ 255	0-100%
8	Obturador	000 ⇔ 003 004 ⇔ 007 008 ⇔ 076 077 ⇔ 145 146 ⇔ 215 216 ⇔ 255	Cerrado Abierto Lento a rápido Efecto pulso de lento a rápido Efecto aleatorio de lento a rápido Abierto
9	Obturador virtual	000 ⇔ 001 002 ⇔ 128 129 ⇔ 255	Sin función Estroboscopia vibratorio, lento a rápido Hacer aparecer gradualmente / desaparecer, lento a rápido
10	Cian	000 ⇔ 255	0-100%
11	Magenta	000 ⇔ 255	0-100%
12	Amarillo	000 ⇔ 255	0-100%
13	Rueda de color	000 ⇔ 006 007 ⇔ 013 014 ⇔ 020 021 ⇔ 027 028 ⇔ 034 035 ⇔ 041 042 ⇔ 048 049 ⇔ 059 060 ⇔ 187 188 ⇔ 219 220 ⇔ 223 224 ⇔ 255	Abierto Rojo Naranja Verde Azul Magenta UV CTO Colores divididos Desplazamiento de color en sentido horario, rapido a lento Parada Desplazamiento de color en sentido antihorario, lento a rapido
14	Rueda de gobo 1	000 ⇔ 007 008 ⇔ 015 016 ⇔ 023 024 ⇔ 031 032 ⇔ 039 040 ⇔ 047 048 ⇔ 055 056 ⇔ 063 064 ⇔ 071 072 ⇔ 079 080 ⇔ 087 088 ⇔ 095 096 ⇔ 103 104 ⇔ 111 112 ⇔ 119 120 ⇔ 127 128 ⇔ 191 192 ⇔ 255	Abierto Gobo 1 (Sailboat) Gobo 2 (Wavy Bar) Gobo 3 (Dot Crickets) Gobo 4 (Nuts n' Bolts) Gobo 5 (Linear Ovals) Gobo 6 (Star Field) Gobo 7 (Shower Glass) Gobo 7 vibrando Gobo 6 vibrando Gobo 5 vibrando Gobo 4 vibrando Gobo 3 vibrando Gobo 2 vibrando Gobo 1 vibrando Abierto Desplazamiento de gobo en sentido horario, rapido a lento Desplazamiento de gobo en sentido antihorario, lento a rapido
15	Gobo giratorio 1	000 ⇔ 063 064 ⇔ 145 146 ⇔ 149 150 ⇔ 231 232 ⇔ 255	Índice de gobo giratorio Giro en el sentido horario, lento a rápido Parada Giro en el sentido anti-horario, lento a rápido Efecto rebote
16	Rueda de gobo 1 Índice de Incremento	000 ⇔ 255	0-100%

Canal	Función	Valor	Porcentaje/Configuración
17	Rueda de gobo 2	000 ⇔ 006	Abierto
		007 ⇔ 013	Gobo 1 (Cheese Puffs)
		014 ⇔ 020	Gobo 2 (Tight Breakups)
		021 ⇔ 027	Gobo 3 (Spot Breakup)
		028 ⇔ 034	Gobo 4 (Triangle)
		035 ⇔ 041	Gobo 5 (Circuits)
		042 ⇔ 048	Gobo 6 (Random Dots)
		049 ⇔ 063	Gobo 7 (Scary Forest)
		064 ⇔ 070	Gobo 7 vibrando
		071 ⇔ 077	Gobo 6 vibrando
		078 ⇔ 084	Gobo 5 vibrando
		085 ⇔ 091	Gobo 4 vibrando
		092 ⇔ 098	Gobo 3 vibrando
		099 ⇔ 105	Gobo 2 vibrando
		106 ⇔ 112	Gobo 1 vibrando
113 ⇔ 127	Abierto		
128 ⇔ 191	Desplazamiento de gobo en sentido horario, lento a rápido		
192 ⇔ 255	Desplazamiento de gobo en sentido antihorario, lento a rápido		
18	Foco	000 ⇔ 255	0-100%
19	Foco fino	000 ⇔ 255	0-100%
20	Autofoco	000 ⇔ 010	Sin función
		011 ⇔ 030	0-5 m
		031 ⇔ 050	6 m
		051 ⇔ 070	7 m
		071 ⇔ 090	8 m
		091 ⇔ 110	9 m
		111 ⇔ 130	10 m
		131 ⇔ 150	12.5 m
		151 ⇔ 170	15 m
		171 ⇔ 190	17.5 m
		191 ⇔ 210	20~60 m
211 ⇔ 255	Detectar automáticamente la distancia		
21	Zoom	000 ⇔ 255	Ancho a estrecho
22	Zoom fino	000 ⇔ 255	0-100%
23	Prisma	000 ⇔ 004	Sin función
		005 ⇔ 255	Efecto de prisma
24	Girar prisma	000 ⇔ 127	Posición de giro
		128 ⇔ 189	Giro en el sentido horario, lento a rápido
		190 ⇔ 193	Parada
		194 ⇔ 255	Giro en sentido antihorario, rápido a lento
25	Iris	000 ⇔ 063	Grande a pequeño
		064 ⇔ 127	Cambio automático (lento a rápido) Disminuir zoom
		128 ⇔ 191	lento, aumentar zoom rápido (lento a rápido)
		192 ⇔ 255	Aumentar zoom lento, disminuir zoom rápido (lento a rápido)
26	Difusor	000 ⇔ 255	0-100%
27	Macro CMY	000 ⇔ 009	Sin función
		010 ⇔ 255	CMY macro
28	Velocidad de macro CMY	000 ⇔ 255	100%-0

ES

Canal	Función	Valor	Porcentaje/Configuración
29	Control	000 ⇄ 007	Sin función
		008 ⇄ 015	Blackout XY
		016 ⇄ 023	Blackout C
		024 ⇄ 031	Blackout G
		032 ⇄ 039	Blackout XYC
		040 ⇄ 047	Blackout XYG
		048 ⇄ 055	Blackout XYCG
		056 ⇄ 095	Sin función
		096 ⇄ 103	Restablecer X
		104 ⇄ 111	Restablecer Y
		112 ⇄ 119	Restablecer color
		120 ⇄ 127	Restablecer gobo y gobo giratorio
		128 ⇄ 135	Sin función
		136 ⇄ 143	Restablecer prisma
		144 ⇄ 151	Sin función
		152 ⇄ 159	Restablecer
		160 ⇄ 167	Restablecer iris
		168 ⇄ 175	Restablecer difusor
		176 ⇄ 183	Restablecer zoom
		184 ⇄ 191	Restablecer CMY
		192 ⇄ 199	Velocidad de ventilador lenta
		200 ⇄ 207	Velocidad de ventilador máxima
		208 ⇄ 215	Ventilador automático
		216 ⇄ 220	Sin función
221 ⇄ 225	Modo iris rapido		
226 ⇄ 230	Modo iris suave		
231 ⇄ 235	Intercambio XY activado		
236 ⇄ 240	Intercambio XY desactivado		
241 ⇄ 255	sin funcion		

22 Ch

Canal	Función	Valor	Porcentaje/Configuración
1	Movimiento panorámico	000 ⇄ 255	0-100%
2	Movimiento panorámico fino	000 ⇄ 255	0-100%
3	Inclinación	000 ⇄ 255	0-100%
4	Inclinación fina	000 ⇄ 255	0-100%
5	Velocidad movimiento panorámico/ Inclinación	000 ⇄ 255	0-100%
6	Atenuador	000 ⇄ 255	0-100%
7	Obturador	000 ⇄ 003	Cerrado
		004 ⇄ 007	Abierto
		008 ⇄ 076	Lento a rápido
		077 ⇄ 145	Efecto pulso de lento a rápido
		146 ⇄ 215	Efecto aleatorio de lento a rápido
8	Obturador virtual	216 ⇄ 255	Abierto
		000 ⇄ 001	Sin función
		002 ⇄ 128	Estroboscopia vibratorio, lento a rápido
		129 ⇄ 255	Hacer aparecer gradualmente / desaparecer, lento a rápido
9	Cian	000 ⇄ 255	0-100%
10	Magenta	000 ⇄ 255	0-100%
11	Amarillo	000 ⇄ 255	0-100%

Canal	Función	Valor	Porcentaje/Configuración
12	Rueda de color	000 ⇔ 006	Abierto
		007 ⇔ 013	Rojo
		014 ⇔ 020	Naranja
		021 ⇔ 027	Verde
		028 ⇔ 034	Azul
		035 ⇔ 041	Magenta
		042 ⇔ 048	UV
		049 ⇔ 059	CTO
		060 ⇔ 187	Colores divididos
		188 ⇔ 219	Desplazamiento de color en sentido horario, rapido a lento
220 ⇔ 223	Parada		
224 ⇔ 255	Desplazamiento de color en sentido antihorario, lento a rapido		
13	Rueda de gobo 1	000 ⇔ 007	Abierto
		008 ⇔ 015	Gobo 1 (Sailboat)
		016 ⇔ 023	Gobo 2 (Wavy Bar)
		024 ⇔ 031	Gobo 3 (Dot Crickets)
		032 ⇔ 039	Gobo 4 (Nuts n' Bolts)
		040 ⇔ 047	Gobo 5 (Linear Ovals)
		048 ⇔ 055	Gobo 6 (Star Field)
		056 ⇔ 063	Gobo 7 (Shower Glass)
		064 ⇔ 071	Gobo 7 vibrando
		072 ⇔ 079	Gobo 6 vibrando
		080 ⇔ 087	Gobo 5 vibrando
		088 ⇔ 095	Gobo 4 vibrando
		096 ⇔ 103	Gobo 3 vibrando
		104 ⇔ 111	Gobo 2 vibrando
		112 ⇔ 119	Gobo 1 vibrando
		120 ⇔ 127	Abierto
128 ⇔ 191	Desplazamiento de gobo en sentido horario, rapido a lento		
192 ⇔ 255	Desplazamiento de gobo en sentido antihorario, lento a rapido		
14	Gobo giratorio 1	000 ⇔ 063	Índice de gobo giratorio
		064 ⇔ 145	Giro en el sentido horario, lento a rápido
		146 ⇔ 149	Parada
		150 ⇔ 231	Giro en el sentido anti-horario, lento a rápido
		232 ⇔ 255	Efecto rebote
15	Rueda de gobo 2	000 ⇔ 006	Abierto
		007 ⇔ 013	Gobo 1 (Cheese Puffs)
		014 ⇔ 020	Gobo 2 (Tight Breakups)
		021 ⇔ 027	Gobo 3 (Spot Breakup)
		028 ⇔ 034	Gobo 4 (Triangle)
		035 ⇔ 041	Gobo 5 (Circuits)
		042 ⇔ 048	Gobo 6 (Random Dots)
		049 ⇔ 063	Gobo 7 (Scary Forest)
		064 ⇔ 070	Gobo 7 vibrando
		071 ⇔ 077	Gobo 6 vibrando
		078 ⇔ 084	Gobo 5 vibrando
		085 ⇔ 091	Gobo 4 vibrando
		092 ⇔ 098	Gobo 3 vibrando
		099 ⇔ 105	Gobo 2 vibrando
		106 ⇔ 112	Gobo 1 vibrando
		113 ⇔ 127	Abierto
128 ⇔ 191	Desplazamiento de gobo en sentido horario, lento a rápido		
192 ⇔ 255	Desplazamiento de gobo en sentido antihorario, lento a rápido		
16	Foco	000 ⇔ 255	0-100%
17	Zoom	000 ⇔ 255	Ancho a estrecho
18	Prisma	000 ⇔ 004	Sin función
		005 ⇔ 255	Efecto de prisma

GUÍA DE REFERENCIA RÁPIDA



ES

Canal	Función	Valor	Porcentaje/Configuración
19	Girar prisma	000 ⇄ 127	Posicion de giro
		128 ⇄ 189	Giro en el sentido horario, lento a rápido
		190 ⇄ 193	Parada
		194 ⇄ 255	Giro en sentido antihorario, rápido a lento
20	Iris	000 ⇄ 063	Grande a pequeño
		064 ⇄ 127	Cambio automático (lento a rápido)
		128 ⇄ 191	Disminuir zoom lento, aumentar zoom rápido (lento a rápido)
		192 ⇄ 255	Aumentar zoom lento, disminuir zoom rápido (lento a rápido)
21	Difusor	000 ⇄ 255	0-100%
22	Control	000 ⇄ 007	Sin función
		008 ⇄ 015	Blackout XY
		016 ⇄ 023	Blackout C
		024 ⇄ 031	Blackout G
		032 ⇄ 039	Blackout XYC
		040 ⇄ 047	Blackout XYG
		048 ⇄ 055	Blackout XYCG
		056 ⇄ 095	Sin función
		096 ⇄ 103	Restablecer X
		104 ⇄ 111	Restablecer Y
		112 ⇄ 119	Restablecer color
		120 ⇄ 127	Restablecer gobo y gobo giratorio
		128 ⇄ 135	Sin función
		136 ⇄ 143	Restablecer prisma
		144 ⇄ 151	Sin función
		152 ⇄ 159	Restablecer
		160 ⇄ 167	Restablecer iris
		168 ⇄ 175	Restablecer difusor
		176 ⇄ 183	Restablecer zoom
		184 ⇄ 191	Restablecer CMY
		192 ⇄ 199	Velocidad de ventilador lenta
		200 ⇄ 207	Velocidad de ventilador máxima
		208 ⇄ 215	Ventilador automático
		216 ⇄ 220	Sin función
		221 ⇄ 225	Modo iris rapido
		226 ⇄ 230	Modo iris suave
		231 ⇄ 235	Intercambio XY activado
		236 ⇄ 240	Intercambio XY desactivado
241 ⇄ 255	sin funcion		

À Propos de ce Manuel

Le Manuel de Référence du Maverick MK1 Spot (MR) reprend des informations de base sur cet appareil notamment en matière de connexions, montage, options de menu et valeurs DMX. Télécharger le Manuel d'Utilisation sur www.chauvetprofessional.com pour de plus amples informations.

Clause de Non-Responsabilité

Les informations et caractéristiques contenues dans ce manuel sont sujettes à changement sans préavis.

Consignes de Sécurité

- N'ouvrez PAS cet appareil. Il ne contient aucun composant susceptible d'être réparé par l'utilisateur.
- Ne regardez PAS la source lumineuse lorsque le produit fonctionne.
- Durant les périodes de non-utilisation, pour éviter toute usure inutile et pour prolonger la durée de vie, déconnectez-entièrement l'appareil en le débranchant de l'alimentation électrique ou en coupant le disjoncteur.
- ATTENTION: Lorsque l'appareil est transféré d'un environnement à température extrême à un autre (par exemple d'un camion froid vers une salle de bal chaude et humide), de la condensation peut se former sur les composants électriques internes. Pour éviter de causer des dommages, laissez l'appareil s'acclimater entièrement au milieu environnant avant de le mettre sous tension.
- ATTENTION : le boîtier de ce produit peut s'avérer brûlant lors du fonctionnement.
- Montez toujours ce produit dans un endroit bien ventilé, à au moins 50 cm (20 pouces) des surfaces adjacentes.
- Ne laissez AUCUNE source inflammable dans un rayon de 50 cm du produit lorsque celui-ci fonctionne.
- Utilisez TOUJOURS un câble de sécurité lorsque vous montez ce produit en hauteur.
- N'utilisez PAS cet appareil en extérieur ou tout autre endroit où de la poussière, une chaleur excessive, de l'eau ou de l'humidité pourrait en affecter le fonctionnement. (IP20)
- N'utilisez PAS cet appareil si le boîtier, les lentilles ou les câbles vous semblent endommagés.
- Ne connectez ce produit NI à un gradateur NI à un rhéostat.
- Connectez UNIQUEMENT cet appareil à un circuit protégé et relié à la terre.
- N'utilisez QUE les lyres de suspension ou les poignées pour transporter cet appareil. Ne transportez jamais cet appareil par sa lyre asservie.
- En cas de sérieux problèmes de fonctionnement, arrêtez le système immédiatement.
- La température ambiante maximale doit être de 113° F (45° C). Ne le faites pas fonctionner à des températures plus élevées.

Contact

En dehors des États-Unis, du Royaume-Uni, de l'Irlande, du Mexique, et du Benelux, contactez votre fournisseur si vous avez besoin d'assistance ou de retourner votre appareil. Consultez le site [Contact Us](#) pour trouver nos coordonnées.

Ce Qui est Inclus

- Maverick MK1 Spot
- Un cordon d'alimentation Seetronic Powerkon
- 2 fixations Omega sans matériel de montage
- Fiche de Garantie
- Manuel de Référence

Alimentation CA

Cet appareil est doté d'une alimentation universelle prenant en charge toute tension d'entrée comprise entre 100 et 240 VCA, 50/60 Hz.

Prise CA

Connexion	Câble (États-Unis)	Câble (Europe)	Couleur de la vis
Conducteur CA	Noir	Marron	Jaune/Cuivré
Neutre CA	Blanc	Bleu	Argenté
Terre CA	Vert/Jaune	Vert/Jaune	Vert



Durant les périodes de non-utilisation, pour éviter toute usure inutile et pour prolonger la durée de vie, déconnectez-entièrement l'appareil en le débranchant de l'alimentation électrique ou en coupant le disjoncteur.

Remplacement du Fusible

1. Débranchez l'appareil de l'alimentation.
2. À l'aide d'un tournevis à tête plate, dévissez le couvercle du porte-fusible du boîtier.
3. Retirez le fusil obsolète et remplacez-le par un fusible en bon état de même type et ampérage.
4. Revissez le couvercle du porte-fusible et rebranchez l'unité.

Raccordement DMX

Le Maverick MK1 Spot fonctionnera avec un jeu d'orgues DMX au moyen de connexions DMX en série standard. Une introduction au DMX est à votre disposition sur www.chauvetprofessional.com.

Connexion DMX

Le Maverick MK1 Spot utilise une connexion de données DMX standard pour ses personnalités DMX: **29Ch** et **22Ch**. Consultez le Manuel d'Utilisation pour connecter et configurer le système DMX.

Connexions du signal

Vous pouvez relier le Maverick MK1 Spot à un contrôleur ou à un logiciel de contrôle à l'aide d'une connexion DMX, une connexion Ethernet ou les deux à la fois. En cas d'utilisation du Maverick MK1 Spot conjointement avec d'autres appareils compatibles avec les protocoles Art-Net™, sACN ou Kling-Net, vous gardez le contrôle individuel sur un même réseau. Veuillez consulter le manuel d'utilisation pour plus d'informations sur la connexion et la configuration de l'appareil avec ces signaux.

Connexions Art-Net™

Art-Net™ est un protocole Ethernet par TCP/IP qui permet de transférer de grandes quantités de données DMX512 en utilisant une connexion etherCON RJ45 sur un grand réseau. Une introduction au protocole Art-Net™ est disponible sur le site internet www.chauvetprofessional.com. Chauvet Professional recommande d'utiliser le mode Unicast pour de meilleurs résultats.

Art-Net™ conçu et droit d'auteur par Artistic Licence Holdings Ltd.

Connexions sACN

Également appelé ANSI E1.31, le streaming ACN est un protocole Ethernet qui utilise les couches et le formatage de l'Architecture for Control Networks pour transporter des données DMX512 par IP ou tout autre réseau compatible ACN. L'ACN est maintenu par la PLASA (Professional Lighting and Sound Association).

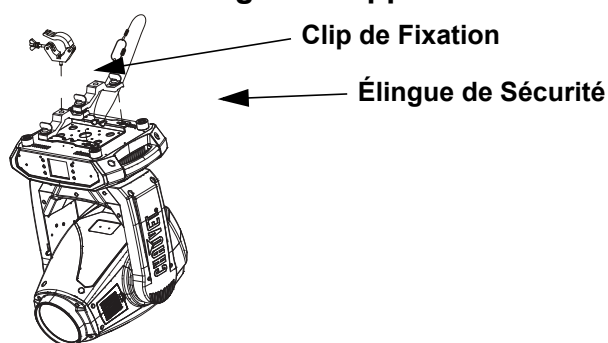
RDM (Gestion des périphériques à distance)

Le protocole RDM (gestion des périphériques à distance) est un standard pour la communication bidirectionnelle des appareils dotés de fonctions DMX dans un câblage DMX existant. Le Maverick MK1 Spot supporte le protocole RDM permettant un retour d'information pour la surveillance et des changements des options de menu. Veuillez télécharger le manuel de l'utilisateur à partir du site internet www.chauvetprofessional.com pour plus de détails.

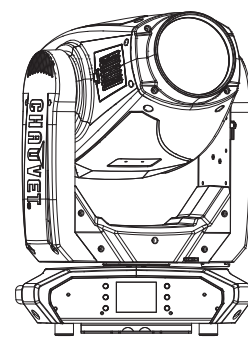
Installation

Avant de monter cet appareil, lisez et assimilez les [Consignes de Sécurité](#). Use at least one mounting point per product. Make sure the mounting clamps are capable of supporting the weight of the product. For our Chauvet line of mounting clamps, go to <http://trusst.com/productcategory/truss-clamps/>

Schéma de Montage de l'Appareil



Montage en Hauteur



Montage au Sol

Description du Tableau de Commandes

Bouton	Fonction
↑	Permet de naviguer vers le haut dans la liste du menu ou d'incrémenter une valeur numérique dans une fonction
≡	Permet de sortir du menu ou de la fonction en cours
↓	Permet de naviguer vers le bas dans la liste du menu ou de d'incrémenter une valeur numérique dans une fonction
←	Permet de se déplacer vers la gauche dans le menu.
↵	Active l'entrée de menu actuellement affichée ou confirme la valeur actuellement sélectionnée pour la fonction en cours de sélection
→	Permet de se déplacer vers la droite dans le menu

Affichage à piles

Appuyez sur la touche et maintenez-la enfoncée jusqu'à ce que l'écran du menu apparaisse (environ 15 secondes).

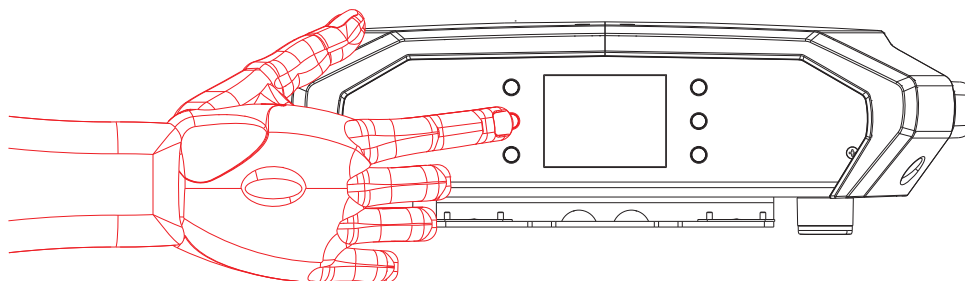


Tableau de Menu

Niveau Principal	Niveaux de Programmation		Description
Address	000-255		Paramétrage réseau
Network Setup	IP Mode	Manual	Sélection du mode IP
		DHCP	
		Static	
	Universe	000-255	Permet de définir l'univers
ArtNetIp	002.243.075.222	Paramétrage de l'IP	
SubMask	255.000.000.000	Masque de sous-réseau	
Personality	DMX 22CH	YES	Sélection de DMX avec 22 canaux
		NO	
	DMX 29CH	YES	Sélection de DMX avec 29 canaux
		NO	
Settings	Control Mode	DMX	Sélection du signal
		WDMX	
		sACN	
		ArtNet	
	Pan Reverse	YES	Permet d'inverser le balayage
		NO	
	Tilt Reverse	YES	Permet d'inverser le basculement
		NO	
Screen Reverse	NO	Inversion manuelle ou automatique de l'écran	
	YES		
	AUTO		
Pan Angle	540	Permet de modifier l'angle de balayage	
	360		
	180		

Niveau Principal	Niveaux de Programmation		Description
Settings	Tilt Angle	270	Permet de modifier l'angle de basculement
		180	
		90	
	BL. O. P/T Move	YES	Activer/désactiver le noir général XY
		NO	
	BL. O. Color Move	YES	Activer/désactiver l'extinction des couleurs
		NO	
	BL. O. Gobo Move	YES	Activer/désactiver l'extinction du gobo
		NO	
	Calibration	YES	Activation du calibrage
		NO	
	Touchscreen Lock	YES	Verrouillage de l'écran tactile
		NO	
	Lock Screen	YES	Boutons de verrouillage et l'écran tactile
		NO	
	Swap X/Y	YES	Permet de permuter le balayage et le basculement
		NO	
	X/Y Mode	Fast	Permet de modifier la vitesse de basculement
		Slow	
	WDMX Reset	YES	Permet de réinitialiser le DMX sans fil
		NO	
	Backlight Timer	30S	Permet d'éteindre automatiquement le rétro-éclairage après un laps de temps défini
		1M	
		5M	
		ON	
	Loss of Data	Hold	Paramétrage de la perte de données
		Close	
	Fans	Auto	Permet de modifier le mode de vitesse du ventilateur
Full			
ECO			
Dimmer Curve	Linear	Permet de définir la courbe de gradation	
	Square		
	I Square		
	Scurve		
Dimmer Speed	Smooth	Permet de modifier la vitesse de gradation	
	Fast		
PWM Option	600	Permet de sélectionner la fréquence de sortie MLI	
	1200		
	2000		
	4000		
	6000		
	25000		
Preset Select	PRESET A	Options de menu des préséglages enregistrés	
	PRESET B		
	PRESET C		
Preset Sync	NO	Permet de transférer les options de menu des préséglages enregistrés vers d'autres appareils Maverick MK1 Spot de la chaîne DMX en guirlande	
	YES		

Niveau Principal	Niveaux de Programmation		Description	
Settings	Reset Function	Pan/Tilt	YES/NO	Permet de réinitialiser au paramétrage d'usine chaque fonction
		Iris/ Prism		
Color/ CMY +CTO				
Gobo/ Gobo Rotate				
Zoom/ Frost/ Focus All				
	Factory Settings	YES		Permet de réinitialiser toutes les fonctions au paramétrage d'usine
		NO		
Test	Auto Test			Test automatisé de l'appareil
	Manual Test	Pan	000 ~ 255	Test individuel de chaque fonction/ canal
		Pan Fine		
		Tilt		
		Tilt Fine		
		P/T Speed		
		Dimmer		
		Dimmer Fine		
		Shutter		
		Virtual Shaking		
		Cyan		
		Magenta		
		Yellow		
		Color		
		Gobo 1		
		Gobo 1 Rotate Fine		
		Gobo 1 Index		
		Gobo 2		
		Focus		
		Focus Fine		
		Focus Auto		
		Zoom		
		Zoom Fine		
		Prism		
		Prism Rotate		
		Iris		
		Frost		
CMY Macro				
CMY Macro Speed				
Special Function				

Niveau Principal	Niveaux de Programmation		Description	
Information	Fixture Information	Ver V1	Version courante	
		Running Mode DMX	Mode courant	
		DMX Address		
		Temperature	Température courante	
		Fixture Hours	Durée d'activation courante	
		ArtNetIp	Adresse IP courante	
		SubMask	Affiche le masque de sous-réseau actuel	
	Fan Information	MAC Address	Adresse MAC	
		Base Fan 1 Speed	Visualiser le paramétrage de vitesse	
		Base Fan 2 Speed		
		Head Fan 1 Speed		
	Head Fan 2 Speed			
	Error Information		Apparaît à l'écran	
	Channel Information	Frequency	Hz	Statut de chaque canal
		Pan	000 ~ 255	
		Pan Fine		
		Tilt		
		Tilt Fine		
		P/T Speed		
		Dimmer		
		Dimmer Fine		
		Shutter		
		Virtual Shaking		
		Cyan		
		Magenta		
		Yellow		
		Color		
		Gobo 1		
		Gobo 1 Rotate Fine		
		Gobo 1 Index		
		Gobo 2		
		Focus		
Focus Fine				
Focus Auto				
Zoom				
Zoom Fine				
Prism				
Prism Rotate				
Iris				
Frost				
CMY Macro				
CMY Macro Speed				
Special Function				

Valeurs DMX
29 Ch

Canal	Fonction	Valeur	Pourcentage/Configuration
1	Balayage	000 ⇔ 255	0-100%
2	Balayage Fin	000 ⇔ 255	0-100%
3	Basculement	000 ⇔ 255	0-100%
4	Basculement Fin	000 ⇔ 255	0-100%

Cana	Fonction	Valeur	Pourcentage/Configuration
5	Vitesse de Balayage/ Basculement	000 ⇄ 255	0-100%
6	Gradateur	000 ⇄ 255	0-100%
7	Gradateur fin	000 ⇄ 255	0-100%
8	Obturbateur	000 ⇄ 003 004 ⇄ 007 008 ⇄ 076 077 ⇄ 145 146 ⇄ 215 216 ⇄ 255	Fermé Ouvert Lent à rapide Effet de pulsation lent à rapide Effet aléatoire lent à rapide Ouvert
9	Volet Virtuel	000 ⇄ 001 002 ⇄ 128 129 ⇄ 255	Pas de fonction Stroboscope vibrant , rapide à lent Apparition en fondu / disparaître, rapide pour ralentir
10	Cyan	000 ⇄ 255	0-100%
11	Magenta	000 ⇄ 255	0-100%
12	Jaune	000 ⇄ 255	0-100%
13	Roue de Couleurs	000 ⇄ 006 007 ⇄ 013 014 ⇄ 020 021 ⇄ 027 028 ⇄ 034 035 ⇄ 041 042 ⇄ 048 049 ⇄ 059 060 ⇄ 187 188 ⇄ 219 220 ⇄ 223 224 ⇄ 255	Ouvert Rouge Orange Vert Bleu Magenta UV CTO Couleurs séparées Défilement horaire de couleur, rapide à lent Arrêt Défilement de couleur dans le sens antihoraire, lent à rapide
14	Roue de Gobos 1	000 ⇄ 007 008 ⇄ 015 016 ⇄ 023 024 ⇄ 031 032 ⇄ 039 040 ⇄ 047 048 ⇄ 055 056 ⇄ 063 064 ⇄ 071 072 ⇄ 079 080 ⇄ 087 088 ⇄ 095 096 ⇄ 103 104 ⇄ 111 112 ⇄ 119 120 ⇄ 127 128 ⇄ 191 192 ⇄ 255	Ouvert Gobo 1 (Sailboat) Gobo 2 (Wavy Bar) Gobo 3 (Dot Crickets) Gobo 4 (Nuts n' Bolts) Gobo 5 (Linear Ovals) Gobo 6 (Star Field) Gobo 7 (Shower Glass) Tremblement Gobo 7 Tremblement Gobo 6 Tremblement Gobo 5 Tremblement Gobo 4 Tremblement Gobo 3 Tremblement Gobo 2 Tremblement Gobo 1 Ouvert Défilement horaire de gobo, rapide à lent Défilement antihoraire de gobo, lent à rapide
15	Rotation 1 de Gobo	000 ⇄ 063 064 ⇄ 145 146 ⇄ 149 150 ⇄ 231 232 ⇄ 255	Index de rotation de gobo Rotation horaire, lent à rapide Arrêt Rotation antihoraire, lent à rapide Effet de rebond
16	Roue de Gobos 1 Index d'incréméntation	000 ⇄ 255	0-100%

Canal	Fonction	Valeur	Pourcentage/Configuration
17	Roue de Gobos 2	000 ⇄ 006	Ouvert
		007 ⇄ 013	Gobo 1 (Cheese Puffs)
		014 ⇄ 020	Gobo 2 (Tight Breakups)
		021 ⇄ 027	Gobo 3 (Spot Breakup)
		028 ⇄ 034	Gobo 4 (Triangle)
		035 ⇄ 041	Gobo 5 (Circuits)
		042 ⇄ 048	Gobo 6 (Random Dots)
		049 ⇄ 063	Gobo 7 (Scary Forest)
		064 ⇄ 070	Tremblement Gobo 7
		071 ⇄ 077	Tremblement Gobo 6
		078 ⇄ 084	Tremblement Gobo 5
		085 ⇄ 091	Tremblement Gobo 4
		092 ⇄ 098	Tremblement Gobo 3
		099 ⇄ 105	Tremblement Gobo 2
		106 ⇄ 112	Tremblement Gobo 1
		113 ⇄ 127	Ouvert
128 ⇄ 191	Défilement horaire de gobo, rapide à lent		
192 ⇄ 255	Défilement antihoraire de gobo, lent à rapide		
18	Mise au Point	000 ⇄ 255	0-100%
19	Mise au Point Fine	000 ⇄ 255	0-100%
20	Mise au Point Automatique	000 ⇄ 010	Aucune fonction
		011 ⇄ 030	0 à 5m
		031 ⇄ 050	6 m
		051 ⇄ 070	7 m
		071 ⇄ 090	8 m
		091 ⇄ 110	9 m
		111 ⇄ 130	10 m
		131 ⇄ 150	12,5 m
		151 ⇄ 170	15 m
		171 ⇄ 190	17,5 m
		191 ⇄ 210	20 à 60 m
211 ⇄ 255	Auto détection de distance		
21	Zoom	000 ⇄ 255	Large pour rétrécir
22	Zoom Fin	000 ⇄ 255	0-100%
23	Prisme	000 ⇄ 004	Aucune fonction
		005 ⇄ 255	Effet de prisme
24	Rotation du Prisme	000 ⇄ 127	Position de rotation
		128 ⇄ 189	Rotation horaire, lent à rapide
		190 ⇄ 193	Arrêt
		194 ⇄ 255	Rotation antihoraire, rapide à lent
25	Iris	000 ⇄ 063	Grand à petit
		064 ⇄ 127	Changement automatique, lent à rapide
		128 ⇄ 191	Zoom avant lent, zoom arrière rapide (lent à rapide)
		192 ⇄ 255	Zoom arrière lent, zoom avant rapide (lent à rapide)
26	Diffusion	000 ⇄ 255	0-100%
27	Macro CMY	000 ⇄ 009	Aucune fonction
		010 ⇄ 255	Macro CMY
28	vitesse de Macro CMY	000 ⇄ 255	100%-0

Cana	Fonction	Valeur	Pourcentage/Configuration
29	Contrôle	000 ⇄ 007	Aucune fonction
		008 ⇄ 015	Noir général XY
		016 ⇄ 023	Noir général C
		024 ⇄ 031	Noir général G
		032 ⇄ 039	Noir général XYC
		040 ⇄ 047	Noir général XYG
		048 ⇄ 055	Noir général XYCG
		056 ⇄ 095	Aucune fonction
		096 ⇄ 103	Réinitialisation X
		104 ⇄ 111	Réinitialisation Y
		112 ⇄ 119	Réinitialisation couleur
		120 ⇄ 127	Réinitialisation de gobo & rotation gobo
		128 ⇄ 135	Aucune fonction
		136 ⇄ 143	Réinitialisation prisme
		144 ⇄ 151	Aucune fonction
		152 ⇄ 159	Tout réinitialiser
		160 ⇄ 167	Réinitialisation iris
		168 ⇄ 175	Réinitialisation diffusion
		176 ⇄ 183	Réinitialisation zoom
		184 ⇄ 191	Réinitialisation CMY
		192 ⇄ 199	Vitesse lente ventilateur
		200 ⇄ 207	Vitesse maximale ventilateur
		208 ⇄ 215	Ventilateur automatique
216 ⇄ 220	Aucune fonction		
221 ⇄ 225	Mode rapide iris		
226 ⇄ 230	Mode doux iris		
231 ⇄ 235	Permutation XY activée		
236 ⇄ 240	Permutation XY désactivée		
241 ⇄ 255	Aucune fonction		

22 Ch

Cana	Fonction	Valeur	Pourcentage/Configuration
1	Balayage	000 ⇄ 255	0-100%
2	Balayage Fin	000 ⇄ 255	0-100%
3	Basculement	000 ⇄ 255	0-100%
4	Basculement Fin	000 ⇄ 255	0-100%
5	Vitesse de Balayage/ Basculement	000 ⇄ 255	0-100%
6	Gradateur	000 ⇄ 255	0-100%
7	Obturateur	000 ⇄ 003	Fermé
		004 ⇄ 007	Ouvert
		008 ⇄ 076	Lent à rapide
		077 ⇄ 145	Effet de pulsation lent à rapide
		146 ⇄ 215	Effet aléatoire lent à rapide
216 ⇄ 255	Ouvert		
8	Volet Virtuel	000 ⇄ 001	Pas de fonction
		002 ⇄ 128	Stroboscope vibrant , rapide à lent
		129 ⇄ 255	Apparition en fondu / disparaître, rapide pour ralentir
9	Cyan	000 ⇄ 255	0-100%
10	Magenta	000 ⇄ 255	0-100%
11	Jaune	000 ⇄ 255	0-100%

Canal	Fonction	Valeur	Pourcentage/Configuration
12	Roue de Couleurs	000 ⇄ 006	Ouvert
		007 ⇄ 013	Rouge
		014 ⇄ 020	Orange
		021 ⇄ 027	Vert
		028 ⇄ 034	Bleu
		035 ⇄ 041	Magenta
		042 ⇄ 048	UV
		049 ⇄ 059	CTO
		060 ⇄ 187	Couleurs séparées
		188 ⇄ 219	Défilement horaire de couleur, rapide à lent
		220 ⇄ 223	Arrêt
		224 ⇄ 255	Défilement de couleur dans le sens antihoraire, lent à rapide
13	Roue de Gobos 1	000 ⇄ 007	Ouvert
		008 ⇄ 015	Gobo 1 (Sailboat)
		016 ⇄ 023	Gobo 2 (Wavy Bar)
		024 ⇄ 031	Gobo 3 (Dot Crickets)
		032 ⇄ 039	Gobo 4 (Nuts n' Bolts)
		040 ⇄ 047	Gobo 5 (Linear Ovals)
		048 ⇄ 055	Gobo 6 (Star Field)
		056 ⇄ 063	Gobo 7 (Shower Glass)
		064 ⇄ 071	Tremblement Gobo 7
		072 ⇄ 079	Tremblement Gobo 6
		080 ⇄ 087	Tremblement Gobo 5
		088 ⇄ 095	Tremblement Gobo 4
		096 ⇄ 103	Tremblement Gobo 3
		104 ⇄ 111	Tremblement Gobo 2
		112 ⇄ 119	Tremblement Gobo 1
		120 ⇄ 127	Ouvert
128 ⇄ 191	Défilement horaire de gobo, rapide à lent		
192 ⇄ 255	Défilement antihoraire de gobo, lent à rapide		
14	Rotation 1 de Gobo	000 ⇄ 063	Index de rotation de gobo
		064 ⇄ 145	Rotation horaire, lent à rapide
		146 ⇄ 149	Arrêt
		150 ⇄ 231	Rotation antihoraire, lent à rapide
		232 ⇄ 255	Effet de rebond
15	Roue de Gobos 2	000 ⇄ 006	Ouvert
		007 ⇄ 013	Gobo 1 (Cheese Puffs)
		014 ⇄ 020	Gobo 2 (Tight Breakups)
		021 ⇄ 027	Gobo 3 (Spot Breakup)
		028 ⇄ 034	Gobo 4 (Triangle)
		035 ⇄ 041	Gobo 5 (Circuits)
		042 ⇄ 048	Gobo 6 (Random Dots)
		049 ⇄ 063	Gobo 7 (Scary Forest)
		064 ⇄ 070	Tremblement Gobo 7
		071 ⇄ 077	Tremblement Gobo 6
		078 ⇄ 084	Tremblement Gobo 5
		085 ⇄ 091	Tremblement Gobo 4
		092 ⇄ 098	Tremblement Gobo 3
		099 ⇄ 105	Tremblement Gobo 2
		106 ⇄ 112	Tremblement Gobo 1
		113 ⇄ 127	Ouvert
128 ⇄ 191	Défilement horaire de gobo, rapide à lent		
192 ⇄ 255	Défilement antihoraire de gobo, lent à rapide		
16	Mise au Point	000 ⇄ 255	0-100%
17	Zoom	000 ⇄ 255	Large pour rétrécir
18	Prisme	000 ⇄ 004	Aucune fonction
		005 ⇄ 255	Effet de prisme
19	Rotation du Prisme	000 ⇄ 127	Position de rotation
		128 ⇄ 189	Rotation horaire, lent à rapide
		190 ⇄ 193	Arrêt
		194 ⇄ 255	Rotation antihoraire, rapide à lent

Cana	Fonction	Valeur	Pourcentage/Configuration
20	Iris	000 ⇄ 063	Grand à petit
		064 ⇄ 127	Changement automatique, lent à rapide
		128 ⇄ 191	Zoom avant lent, zoom arrière rapide (lent à rapide)
		192 ⇄ 255	Zoom arrière lent, zoom avant rapide (lent à rapide)
21	Diffusion	000 ⇄ 255	0-100%
22	Contrôle	000 ⇄ 007	Aucune fonction
		008 ⇄ 015	Noir général XY
		016 ⇄ 023	Noir général C
		024 ⇄ 031	Noir général G
		032 ⇄ 039	Noir général XYC
		040 ⇄ 047	Noir général XYG
		048 ⇄ 055	Noir général XYCG
		056 ⇄ 095	Aucune fonction
		096 ⇄ 103	Réinitialisation X
		104 ⇄ 111	Réinitialisation Y
		112 ⇄ 119	Réinitialisation couleur
		120 ⇄ 127	Réinitialisation de gobo & rotation gobo
		128 ⇄ 135	Aucune fonction
		136 ⇄ 143	Réinitialisation prisme
		144 ⇄ 151	Aucune fonction
		152 ⇄ 159	Tout réinitialiser
		160 ⇄ 167	Réinitialisation iris
		168 ⇄ 175	Réinitialisation diffusion
		176 ⇄ 183	Réinitialisation zoom
		184 ⇄ 191	Réinitialisation CMY
		192 ⇄ 199	Vitesse lente ventilateur
		200 ⇄ 207	Vitesse maximale ventilateur
		208 ⇄ 215	Ventilateur automatique
		216 ⇄ 220	Aucune fonction
221 ⇄ 225	Mode rapide iris		
226 ⇄ 230	Mode doux iris		
231 ⇄ 235	Permutation XY activée		
236 ⇄ 240	Permutation XY désactivée		
241 ⇄ 255	Aucune fonction		

Over deze handleiding

De Maverick MK1 Spot Beknopte Handleiding (BH) bevat basisinformatie over het product, zoals aansluiting, montage, menu-opties en DMX-waarden. Download de gebruikershandleiding op www.chauvetprofessional.com voor meer informatie.

Disclaimer

De informatie en specificaties in deze BH kunnen zonder voorafgaande kennisgeving worden gewijzigd.

Veiligheids instructies

- Open het product NIET. Het bevat geen te onderhouden onderdelen.
- KIJK NIET in de lichtbron wanneer het apparaat is ingeschakeld.
- Om onnodige slijtage te elimineren en zijn levensduur te verlengen, gedurende perioden wanneer het product niet wordt gebruikt, moet u het product van de stroom afsluiten door een aardlekschakelaar om te zetten of door het te ontkoppelen.
- LET OP: Bij het verplaatsen van het product uit extreme omgevingen, (bijv. koude vrachtwagen naar warme, vochtige balzaal) kan er condensvorming optreden op de elektronica van het product. Om storingen te vermijden moet het product volledig kunnen acclimatiseren aan de omgeving voordat het op stroom wordt aangesloten.
- LET OP: De behuizing van dit product kan heet zijn wanneer het in bedrijf is.
- Monteer dit product op een plek met voldoende ventilatie, ten minste 50 cm van de aangrenzende oppervlakken.
- Plaats geen ontvlambaar materiaal binnen 50 cm van dit product als het in gebruik is of is aangesloten op het stopcontact.
- GEBRUIK een veiligheidskabel bij het boven het hoofd plaatsen van dit product.
- Gebruik dit product NIET buitenshuis of op een locatie waar stof, grote warmte, water of vochtigheid het kunnen beïnvloeden. (IP20)
- Gebruik dit product NIET als de behuizing, lenzen of kabels beschadigd lijken.
- Sluit dit product NIET aan op een dimmer of een regelweerstand.
- Sluit dit product UITSLUITEND op een geaard en beveiligd stroomcircuit.
- Gebruik UITSLUITEND de montagebeugels of de hendels om dit product te dragen. Draag het product niet aan de bewegende kop.
- Stop in het geval van ernstige operationele problemen onmiddellijk met het gebruik.
- De maximale omgevingstemperatuur bedraagt 45 °C. Gebruik dit product niet bij hogere temperaturen.

Contact

Van buiten de VS, Verenigd Koninkrijk, Ierland, Mexico of Benelux kunt u contact opnemen met de distributeur of om ondersteuning vragen dan wel het product retourneren. Ga naar [Contact Us](#) voor contactinformatie.

Wat is inbegrepen

- Maverick MK1 Spot
- Seetronic Powerkon IP65 stroomsnoer
- 2 Omegabeugels met bevestigingsapparatuur
- Garantiekaart
- Beknopte handleiding

AC-stroom

Dit product heeft een voeding met automatisch bereik die werkt met een ingangsspanning van 100–240 VAC, 50/60 Hz.

AC-stekker

Aansluiting	Snoer (VS)	Snoer (Europa)	Schroefkleur
AC Live	Zwart	Bruin	Geel/messing
AC Neutraal	Wit	Blauw	Zilver
AC Aarde	Groen/geel	Groen/geel	Groen



Om onnodige slijtage te elimineren en zijn levensduur te verlengen, gedurende perioden wanneer het product niet wordt gebruikt, moet u het product van de stroom afsluiten door een aardlekschakelaar om te zetten of door het te ontkoppelen.

Vervangen van de zekering

1. Ontkoppel dit product van de stroom.
2. Gebruik een platkopschroevendraaier en schroef de kap van de zekeringhouder los van de behuizing.
3. Verwijder de doorgebrande zekering en vervang het met een werkende zekering van hetzelfde type en met dezelfde waarde.
4. Schroef de kap van de zekeringhouder terug en steek de stekker er weer in.

DMX-koppeling

De Maverick MK1 Spot kan met een DMX-controller werken met een normale DMX seriële verbinding. Op www.chauvetprofessional.com is een DMX basishandleiding verkrijgbaar.

DMX-aansluiting

De Maverick MK1 Spot gebruikt een normale DMX-gegevensverbinding voor zijn DMX-persoonlijkheden: **29 Ch**, en **22 Ch**. Zie de gebruikershandleiding om te verbinden en te configureren voor DMX-werking.

Signaal-verbindingen

U kunt de Maverick MK1 Spot aansluiten op een controller of controllersoftware met behulp van een DMX-aansluiting, een ethernetverbinding of beide.. Bij het gebruik van andere Art-Net™, sACN, of Kling-Net-compatible producten met de Maverick MK1 Spot, kunt u deze individueel aansturen op een enkel netwerk. Zie de gebruikershandleiding voor meer informatie over het verbinden en configureren van het product voor deze signalen.

Art-Net™ aansluiting

Art-Net™ is een ethernet-protocol dat gebruikmaakt van TCP/IP dat over een groot netwerk grote hoeveelheden DMX512-gegevens verzendt met behulp van een etherCON RJ45-verbinding. Een Art-Net™-protocoldocument is te verkrijgen op www.chauvetprofessional.com. Chauvet Professional raadt het gebruik van unicast-modus voor het beste resultaat.

Art-Net™ ontworpen en auteursrecht door Artistic Licence Holdings Ltd. .

sACN-aansluiting

Streaming-ACN staat ook wel bekend als ANSI E1.31 en is een ethernetprotocol dat de laag- en opmaakstructuur gebruikt van Architecture for Control Networks om DMX512-gegevens te transporteren over IP of een ander ACN compatibel netwerk. ACN wordt onderhouden door de Professional Lighting and Sound Association (PLASA).

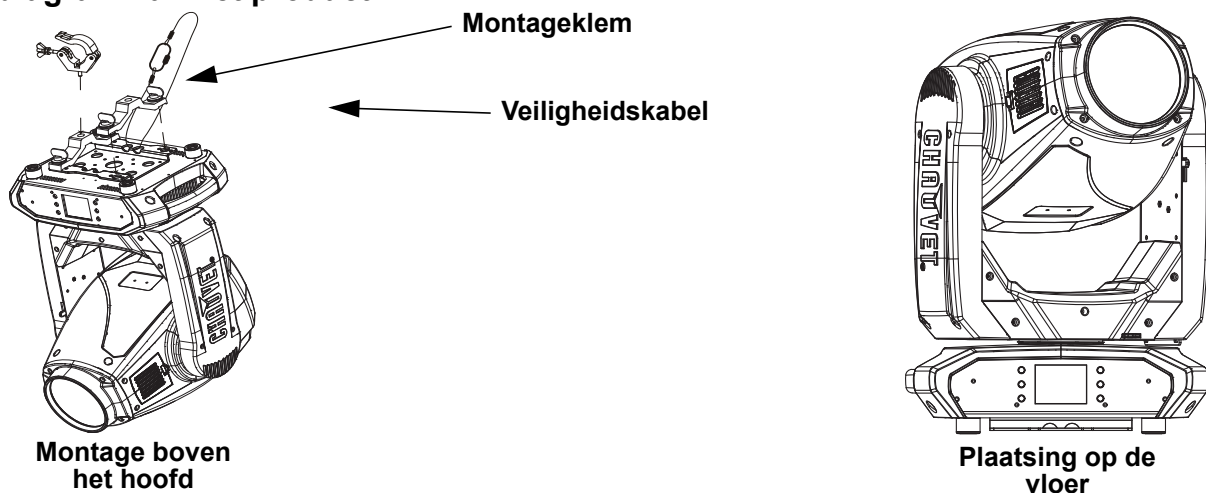
RDM (apparaatbeheer op afstand)

Remote Device Management of RDM (apparaatbeheer op afstand) is een standaard die het voor DMX-apparaten mogelijk maakt om in twee richtingen te communiceren over bestaande DMX-kabels. De Maverick MK1 Spot ondersteunt het RDM-protocol dat zorgt feedback toelaat bij de bewaking van wijzigingen aan de menu map-opties van. Download de gebruikershandleiding op www.chauvetprofessional.com voor meer informatie.

Montage

Lees alvorens dit product te monteren alle [Veiligheids instructies](#). Controleer of de montageklem het gewicht van het product kan dragen. Ga voor onze Chauvet-serie montageklemmen naar <http://trusst.com/productcategory/truss-clamps/>

Montagediagram van het product

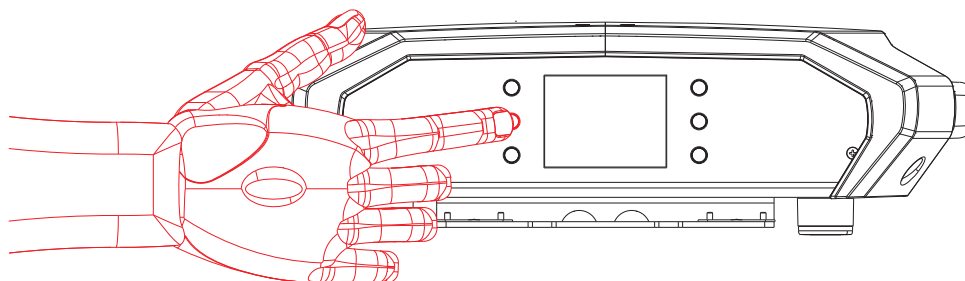


Beschrijving bedienings paneel

Toets	Functie
↑	Navigeert omhoog via het menu of verhoogt de numerieke waarde wanneer in een functie
☰	Sluit het huidige menu of functie af
↓	Navigeert omlaag via het menu of verlaagt de numerieke waarde wanneer in een functie
←	Navigeert naar links door de menulijst
↶	Activeert het huidige getoonde menu of plaatst de huidige geselecteerde waarde in de geselecteerde functie
→	Navigeert naar rechts door de menulijst

Display op batterijstroom

Ingedrukt houden totdat het menuscherm verschijnt (ongeveer 15 sec).



Menumap

Hoofdniveau	Programmeerniveaus	Beschrijving	
Address	000-255	Netwerkinstelling	
Network Setup	IP Mode	Manual DHCP Static	
	Universe	000-255	
	ArtNetIp	002.243.075.222	
	SubMask	255.000.000.000	
Personality	DMX 22CH	YES NO	
	DMX 29CH	YES NO	
	Control Mode	Settings	DMX WDMX sACN ArtNet
			Pan Reverse
Tilt Reverse			YES NO
Screen Reverse			NO YES AUTO
Pan Angle	Settings	540 360 180	

Hoofdniveau	Programmeerniveaus		Beschrijving
Settings	Tilt Angle	270	De kantelhoek wijzigen
		180	
		90	
	BL. O. P/T Move	YES	XY-verduistering inschakelen/ uitschakelen
		NO	
	BL. O. Color Move	YES	Kleurverduistering inschakelen/ uitschakelen
		NO	
	BL. O. Gobo Move	YES	Goboverduistering inschakelen/ uitschakelen
		NO	
	Calibration	YES	Kalibratie inschakelen
		NO	
	Touchscreen Lock	YES	Het aanraakscherm vergrendelen
		NO	
	Lock Screen	YES	Lock knoppen en aanraakscherm
		NO	
	Swap X/Y	YES	De kanteling en zwenking omwisselen
		NO	
	X/Y Mode	Fast	Wijzigt de omwisselen
		Slow	
	WDMX Reset	YES	De draadloze DMX resetten
		NO	
	Backlight Timer	30S	Stel in dat de achtergrondverlichting zich na een bepaalde tijd uitschakelt
		1M	
		5M	
		ON	
	Loss of Data	Hold	Verlies van gegevensinstelling
		Close	
	Fans	Auto	De snelheidsmodus van de ventilator wijzigen
		Full	
		ECO	
Dimmer Curve	Linear	Stelt de dimcurve in	
	Square		
	I Square		
	Scurve		
Dimmer Speed	Smooth	Wijzigt de dimsnelheid	
	Fast		
PWM Option	600	Selecteert de PWM-uitgangsfrequentie	
	1200		
	2000		
	4000		
	6000		
	25000		
Preset Select	PRESET A	Opgenoemen vooringestelde menuopties	
	PRESET B		
	PRESET C		
Preset Sync	NO	Zorgt ervoor dat opgenomen vooringestelde menuopties worden overgezet op andere Maverick MK1 Spot in de DMX-keten	
	YES		
Reset Function	Pan/Tilt	Selecteert de PWM-uitgangsfrequentie	
	Iris/ Prism		
	YES/NO		

Hoofdniveau	Programmeerniveaus		Beschrijving
Setting	Reset Function	Color/ CMY +CTO	YES/NO
		Gobo/ Gobo Rotate	
		Zoom/ Frost/ Focus All	
Factory Settings	YES NO	Alle functies resetten naar fabrieksinstellingen	
Test	Auto Test		Het product automatisch testen
	Manual Test	Pan	000 ~ 255
		Pan Fine	
		Tilt	
		Tilt Fine	
		P/T Speed	
		Dimmer	
		Dimmer Fine	
		Shutter	
		Virtual Shaking	
		Cyan	
		Magenta	
		Yellow	
		Color	
		Gobo 1	
		Gobo 1 Rotate Fine	
		Gobo 1 Index	
		Gobo 2	
		Focus	
		Focus Fine	
		Focus Auto	
		Zoom	
		Zoom Fine	
		Prism	
		Prism Rotate	
		Iris	
		Frost	
CMY Macro			
CMY Macro Speed			
Special Function			
Information	Fixture Information	Ver V1	Huidige versie
		Running Mode DMX	Huidige modus
		DMX Address	
		Temperature	Huidige temperatuur
		Fixture Hours	Huidige actieve uren
		ArtNetIp	Huidige IP-adres
		SubMask	Huidige subnet mask
	MAC Address	MAC-adres	
	Fan Information	Base Fan 1 Speed	Toon snelheidsinstelling
		Base Fan 2 Speed	
		Head Fan 1 Speed	
Head Fan 2 Speed			

Hoofdniveau	Programmeerniveaus			Beschrijving
Information	Error Information			Verschijnt op het scherm
	Channel Information	Frequency	Hz	Status van individueel kanaal
		Pan	000 ~ 255	
		Pan Fine		
		Tilt		
		Tilt Fine		
		P/T Speed		
		Dimmer		
		Dimmer Fine		
		Shutter		
		Virtual Shaking		
		Cyan		
		Magenta		
		Yellow		
		Color		
		Gobo 1		
		Gobo 1 Rotate Fine		
		Gobo 1 Index		
		Gobo 2		
		Focus		
		Focus Fine		
		Focus Auto		
		Zoom		
		Zoom Fine		
		Prism		
		Prism Rotate		
		Iris		
		Frost		
CMY Macro				
CMY Macro Speed				
Special Function				

DMX-waarden
29 Ch

Kanaal	Functie	Waarde	Percentage/instelling
1	Zwenken	000 ⇄ 255	0-100%
2	Fijn zwenken	000 ⇄ 255	0-100%
3	Kantelen	000 ⇄ 255	0-100%
4	Fijn kantelen	000 ⇄ 255	0-100%
5	Zwenk-/kantelsnelheid	000 ⇄ 255	0-100%
6	Dimmer	000 ⇄ 255	0-100%
7	Fijne Dimmer	000 ⇄ 255	0-100%
8	Sluiter	000 ⇄ 003	Gesloten
		004 ⇄ 007	Open
		008 ⇄ 076	Langzaam tot snel
		077 ⇄ 145	Pulseffect van langzaam tot snel
		146 ⇄ 215	Willekeurig effect van langzaam tot snel
9	Virtuele sluiters	216 ⇄ 255	Open
		000 ⇄ 001	Geen functie
		002 ⇄ 128	Stroboscoop trillen , snel naar langzaam
		129 ⇄ 255	Vervagen in / verdwijnen, snel naar langzaam
10	Cyaan	000 ⇄ 255	0-100%
11	Magenta	000 ⇄ 255	0-100%
12	Geel	000 ⇄ 255	0-100%

Kanaal	Functie	Waarde	Percentage/instelling
13	Kleurenwiel	000 ⇄ 006	Open
		007 ⇄ 013	Rood
		014 ⇄ 020	Oranje
		021 ⇄ 027	Groen
		028 ⇄ 034	Blauw
		035 ⇄ 041	Magenta
		042 ⇄ 048	UV
		049 ⇄ 059	CTO
		060 ⇄ 187	Gespleten kleuren
		188 ⇄ 219	Kleurwijziging met de klok mee, snel tot langzaam
		220 ⇄ 223	Stop
224 ⇄ 255	Kleurwijziging tegen de klok in, langzaam tot snel		
14	Gobo-wiel 1	000 ⇄ 007	Open
		008 ⇄ 015	Gobo 1 (Sailboat)
		016 ⇄ 023	Gobo 2 (Wavy Bar)
		024 ⇄ 031	Gobo 3 (Dot Crickets)
		032 ⇄ 039	Gobo 4 (Nuts n' Bolts)
		040 ⇄ 047	Gobo 5 (Linear Ovals)
		048 ⇄ 055	Gobo 6 (Star Field)
		056 ⇄ 063	Gobo 7 (Shower Glass)
		064 ⇄ 071	Gobo 7 schudden
		072 ⇄ 079	Gobo 6 schudden
		080 ⇄ 087	Gobo 5 schudden
		088 ⇄ 095	Gobo 4 schudden
		096 ⇄ 103	Gobo 3 schudden
		104 ⇄ 111	Gobo 2 schudden
		112 ⇄ 119	Gobo 1 schudden
		120 ⇄ 127	Open
128 ⇄ 191	Gobowijziging met de klok mee, snel tot langzaam		
192 ⇄ 255	Gobowijziging tegen de klok in, langzaam tot snel		
15	Gobo roterend 1	000 ⇄ 063	Roterende gobo index
		064 ⇄ 145	Roteren met de klok mee, langzaam tot snel
		146 ⇄ 149	Stop
		150 ⇄ 231	Tegen de klok in roteren, langzaam tot snel
		232 ⇄ 255	Stuitereffect
16	Gobo-wiel 1 oplopende index	000 ⇄ 255	0-100%
17	Gobo-wiel 2	000 ⇄ 006	Open
		007 ⇄ 013	Gobo 1 (Cheese Puffs)
		014 ⇄ 020	Gobo 2 (Tight Breakups)
		021 ⇄ 027	Gobo 3 (Spot Breakup)
		028 ⇄ 034	Gobo 4 (Triangle)
		035 ⇄ 041	Gobo 5 (Circuits)
		042 ⇄ 048	Gobo 6 (Random Dots)
		049 ⇄ 063	Gobo 7 (Scary Forest)
		064 ⇄ 070	Gobo 7 schudden
		071 ⇄ 077	Gobo 6 schudden
		078 ⇄ 084	Gobo 5 schudden
		085 ⇄ 091	Gobo 4 schudden
		092 ⇄ 098	Gobo 3 schudden
		099 ⇄ 105	Gobo 2 schudden
		106 ⇄ 112	Gobo 1 schudden
		113 ⇄ 127	Open
128 ⇄ 191	Gobowijziging met de klok mee, snel tot langzaam		
192 ⇄ 255	Gobowijziging tegen de klok in, langzaam tot snel		
18	Focus	000 ⇄ 255	0-100%
19	Fijne Focus	000 ⇄ 255	0-100%

Kanaal	Functie	Waarde	Percentage/instelling
20	Auto Focus	000 ⇄ 010	Geen functie
		011 ⇄ 030	0-5 m
		031 ⇄ 050	6 m
		051 ⇄ 070	7 m
		071 ⇄ 090	8 m
		091 ⇄ 110	9 m
		111 ⇄ 130	10 m
		131 ⇄ 150	12,5 m
		151 ⇄ 170	15 m
		171 ⇄ 190	17,5 m
		191 ⇄ 210	20-60 m
211 ⇄ 255	Automatische detectie afstand		
21	Zoom	000 ⇄ 255	Breed naar smal
22	Fijne Zoom	000 ⇄ 255	0-100%
23	Prisma	000 ⇄ 004	Geen functie
		005 ⇄ 255	PrismaEffect
24	Prisma roteren	000 ⇄ 127	Roterende positie
		128 ⇄ 189	Roteren met de klok mee, langzaam tot snel
		190 ⇄ 193	Stop
		194 ⇄ 255	Roteren tegen de klok in, snel tot langzaam
25	Iris	000 ⇄ 063	Groot tot klein
		064 ⇄ 127	Auto verandering, langzaam tot snel
		128 ⇄ 191	Langzaam inzoomen, snel uitzoomen (langzaam tot snel)
		192 ⇄ 255	Langzaam uitzoomen, snel inzoomen (langzaam tot snel)
26	Frost	000 ⇄ 255	0-100%
27	CMY Macro	000 ⇄ 009	Geen functie
		010 ⇄ 255	CMY macro
28	CMY macrosnelheid	000 ⇄ 255	langzaam tot snel
29	Regeling	000 ⇄ 007	Geen functie
		008 ⇄ 015	XY-verduistering
		016 ⇄ 023	C-verduistering
		024 ⇄ 031	G-verduistering
		032 ⇄ 039	XYC-verduistering
		040 ⇄ 047	XYG-verduistering
		048 ⇄ 055	XYCG-verduistering
		056 ⇄ 095	Geen functie
		096 ⇄ 103	X reset
		104 ⇄ 111	Y reset
		112 ⇄ 119	Kleurenreset
		120 ⇄ 127	Reset gobo en gobo roteren
		128 ⇄ 135	Geen functie
		136 ⇄ 143	Prismareset
		144 ⇄ 151	Focusreset
		152 ⇄ 159	Reset alle
		160 ⇄ 167	Iris reset
		168 ⇄ 175	Resetten frost
		176 ⇄ 183	Zoomherstel
		184 ⇄ 191	CMY reset
		192 ⇄ 199	Ventilator lage snelheid
		200 ⇄ 207	Ventilator volle snelheid
		208 ⇄ 215	Ventilator auto
		216 ⇄ 220	geen functie
221 ⇄ 225	Iris snelle modus		
226 ⇄ 230	Iris soepele modus		
231 ⇄ 235	XY-wissel aan		
236 ⇄ 240	XY-wissel uit		
241 ⇄ 255	Geen functie		

22 Ch

Kanaal	Functie	Waarde	Percentage/instelling
1	Zwenken	000 ⇄ 255	0-100%

Kanaal	Functie	Waarde	Percentage/instelling
2	Fijn zwenken	000 ⇔ 255	0-100%
3	Kantelen	000 ⇔ 255	0-100%
4	Fijn kantelen	000 ⇔ 255	0-100%
5	Zwenk-/kantelsnelheid	000 ⇔ 255	0-100%
6	Dimmer	000 ⇔ 255	0-100%
7	Sluiter	000 ⇔ 003	Gesloten
		004 ⇔ 007	Open
		008 ⇔ 076	Langzaam tot snel
		077 ⇔ 145	Pulseffect van langzaam tot snel
		146 ⇔ 215	Willekeurig effect van langzaam tot snel
8	Virtuele sluiters	216 ⇔ 255	Open
		000 ⇔ 001	Geen functie
		002 ⇔ 128	Stroboscoop trillen , snel naar langzaam
9	Cyaan	129 ⇔ 255	Vervagen in / verdwijnen, snel naar langzaam
9	Cyaan	000 ⇔ 255	0-100%
10	Magenta	000 ⇔ 255	0-100%
11	Geel	000 ⇔ 255	0-100%
12	Kleurenwiel	000 ⇔ 006	Open
		007 ⇔ 013	Rood
		014 ⇔ 020	Oranje
		021 ⇔ 027	Groen
		028 ⇔ 034	Blauw
		035 ⇔ 041	Magenta
		042 ⇔ 048	UV
		049 ⇔ 059	CTO
		060 ⇔ 187	Gespleten kleuren
		188 ⇔ 219	Kleurwijziging met de klok mee, snel tot langzaam
		220 ⇔ 223	Stop
224 ⇔ 255	Kleurwijziging tegen de klok in, langzaam tot snel		
13	Gobo-wiel 1	000 ⇔ 007	Open
		008 ⇔ 015	Gobo 1 (Sailboat)
		016 ⇔ 023	Gobo 2 (Wavy Bar)
		024 ⇔ 031	Gobo 3 (Dot Crickets)
		032 ⇔ 039	Gobo 4 (Nuts n' Bolts)
		040 ⇔ 047	Gobo 5 (Linear Ovals)
		048 ⇔ 055	Gobo 6 (Star Field)
		056 ⇔ 063	Gobo 7 (Shower Glass)
		064 ⇔ 071	Gobo 7 schudden
		072 ⇔ 079	Gobo 6 schudden
		080 ⇔ 087	Gobo 5 schudden
		088 ⇔ 095	Gobo 4 schudden
		096 ⇔ 103	Gobo 3 schudden
		104 ⇔ 111	Gobo 2 schudden
		112 ⇔ 119	Gobo 1 schudden
		120 ⇔ 127	Open
		128 ⇔ 191	Gobowijziging met de klok mee, snel tot langzaam
192 ⇔ 255	Gobowijziging tegen de klok in, langzaam tot snel		
14	Gobo roterend 1	000 ⇔ 063	Roterende gobo index
		064 ⇔ 145	Roteren met de klok mee, langzaam tot snel
		146 ⇔ 149	Stop
		150 ⇔ 231	Tegen de klok in roteren, langzaam tot snel
		232 ⇔ 255	Stuitereffect

Kanaal	Functie	Waarde	Percentage/instelling
15	Gobo-wiel 2	000 ⇄ 006	Open
		007 ⇄ 013	Gobo 1 (Cheese Puffs)
		014 ⇄ 020	Gobo 2 (Tight Breakups)
		021 ⇄ 027	Gobo 3 (Spot Breakup)
		028 ⇄ 034	Gobo 4 (Triangle)
		035 ⇄ 041	Gobo 5 (Circuits)
		042 ⇄ 048	Gobo 6 (Random Dots)
		049 ⇄ 063	Gobo 7 (Scary Forest)
		064 ⇄ 070	Gobo 7 schudden
		071 ⇄ 077	Gobo 6 schudden
		078 ⇄ 084	Gobo 5 schudden
		085 ⇄ 091	Gobo 4 schudden
		092 ⇄ 098	Gobo 3 schudden
		099 ⇄ 105	Gobo 2 schudden
		106 ⇄ 112	Gobo 1 schudden
		113 ⇄ 127	Open
		128 ⇄ 191	Gobowijziging met de klok mee, snel tot langzaam
		192 ⇄ 255	Gobowijziging tegen de klok in, langzaam tot snel
16	Focus	000 ⇄ 255	0-100%
17	Zoom	000 ⇄ 255	Breed naar smal
18	Prisma	000 ⇄ 004	Geen functie
		005 ⇄ 255	PrismaEffect
19	Prisma roteren	000 ⇄ 127	Roterende positie
		128 ⇄ 189	Roteren met de klok mee, langzaam tot snel
		190 ⇄ 193	Stop
		194 ⇄ 255	Roteren tegen de klok in, snel tot langzaam
20	Iris	000 ⇄ 063	Groot tot klein
		064 ⇄ 127	Auto verandering, langzaam tot snel
		128 ⇄ 191	Langzaam inzoomen, snel uitzoomen (langzaam tot snel)
		192 ⇄ 255	Langzaam uitzoomen, snel inzoomen (langzaam tot snel)
21	Frost	000 ⇄ 255	0-100%
22	Regeling	000 ⇄ 007	Geen functie
		008 ⇄ 015	XY-verduistering
		016 ⇄ 023	C-verduistering
		024 ⇄ 031	G-verduistering
		032 ⇄ 039	XYC-verduistering
		040 ⇄ 047	XYG-verduistering
		048 ⇄ 055	XYCG-verduistering
		056 ⇄ 095	Geen functie
		096 ⇄ 103	X reset
		104 ⇄ 111	Y reset
		112 ⇄ 119	Kleurenreset
		120 ⇄ 127	Reset gobo en gobo roteren
		128 ⇄ 135	Geen functie
		136 ⇄ 143	Prismareset
		144 ⇄ 151	Focusreset
		152 ⇄ 159	Reset alle
		160 ⇄ 167	Iris reset
		168 ⇄ 175	Resetten frost
		176 ⇄ 183	Zoomherstel
		184 ⇄ 191	CMY reset
		192 ⇄ 199	Ventilator lage snelheid
		200 ⇄ 207	Ventilator volle snelheid
		208 ⇄ 215	Ventilator auto
		216 ⇄ 220	geen functie
221 ⇄ 225	Iris snelle modus		
226 ⇄ 230	Iris soepele modus		
231 ⇄ 235	XY-wissel aan		
236 ⇄ 240	XY-wissel uit		
241 ⇄ 255	Geen functie		

Contact Us

World Headquarters	
General Information	Technical Support
Address: 5200 NW 108th Ave. Sunrise, FL 33351 Voice: (954) 577-4455 Fax: (954) 929-5560 Toll Free: (800) 762-1084	Voice: (844) 393-7575 Fax: (954) 756-8015 Email: chauvetcs@chauvetlighting.com
	Website www.chauvetlighting.com
EUROPE	
General Information	Technical Support
Address: Stokstraat 18 9770 Kruishoutem Belgium Voice: +32 9 388 93 97	Email: eutech@chauvetlighting.eu
	Website www.chauvetlighting.eu
General Information	Technical Support
Address: Unit 1C Brookhill Road Industrial Estate Pinxton, Nottingham, UK NG16 6NT Voice: +44 (0) 1773 511115 Fax: +44 (0) 1773 511110	Email: uktech@chauvetlighting.com
	Website www.chauvetlighting.co.uk
MEXICO	
General Information	Technical Support
Address: Av. de las Partidas 34 - 3B (Entrance by Calle 2) Zona Industrial Lerma Lerma, Edo. de México, CP 52000 Voice: +52 (728) 690-2010	Email: servicio@chauvet.com.mx
	Website www.chauvet.com.mx

Visit the applicable website above to verify our contact information and instructions to request support. Outside the U.S., United Kingdom, Ireland, Mexico or Benelux, contact the dealer of record..

