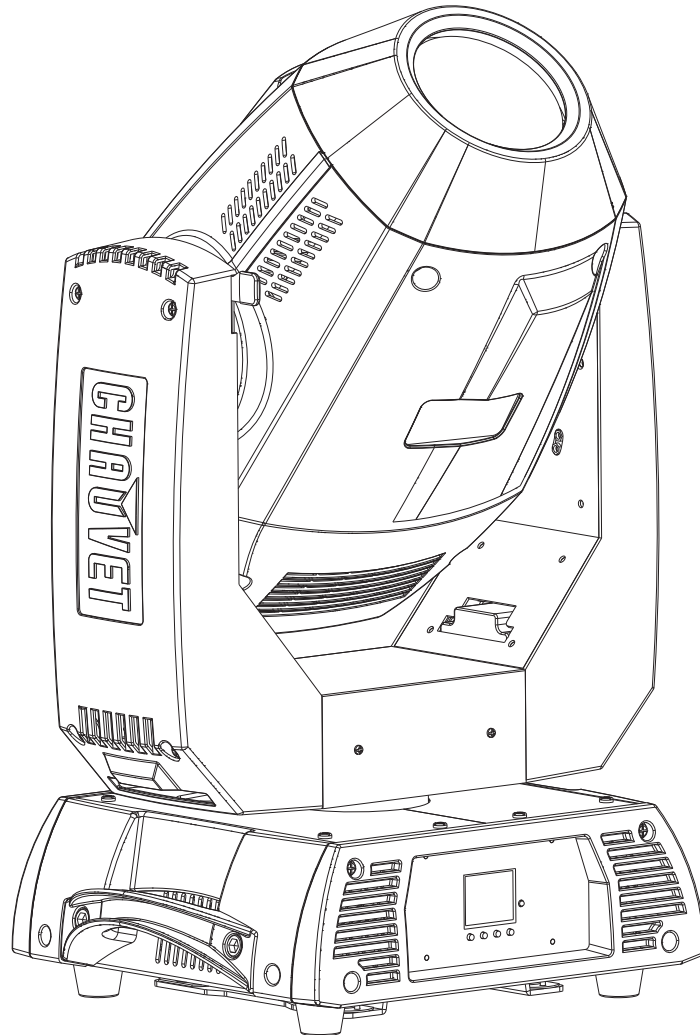


ROGUE



Quick Reference Guide

English	EN
Español	ES
Français	FR
Nederlands	NL



CHAUVET
PROFESSIONAL

About This Guide

The Rogue R3 Spot Quick Reference Guide (QRG) has basic product information such as connection, mounting, menu options, and DMX values. Download the User Manual from www.chauvetprofessional.com for more details.

Disclaimer

The information and specifications contained in this QRG are subject to change without notice.

Safety Notes

- DO NOT open this product. It contains no user-serviceable parts.
- To eliminate unnecessary wear and improve its lifespan, during periods of non-use completely disconnect the product from power via breaker or by unplugging it.
- DO NOT look at the light source when the product is on.
- CAUTION: This product's housing may be hot when lights are operating. Mount this product in a location with adequate ventilation, at least 20 in (50 cm) from adjacent surfaces.
- DO NOT leave any flammable material within 50 cm of this product while operating or connected to power.
- CAUTION: When transferring product from extreme temperature environments, (e.g., cold truck to warm humid ballroom) condensation may form on the internal electronics of the product. To avoid causing a failure, allow product to fully acclimate to the surrounding environment before connecting it to power.
- USE a safety cable when mounting this product overhead.
- DO NOT operate this product outdoors or in any location where dust, excessive heat, water, or humidity may affect it. (IP20)
- DO NOT operate this product if the housing, lenses, or cables appear damaged.
- DO NOT connect this product to a dimmer or rheostat.
- ONLY connect this product to a grounded and protected circuit.
- ONLY use the hanging/mounting bracket to carry this product. Do not carry by the moving head.
- In the event of a serious operating problem, stop using immediately.
- The maximum ambient temperature is 113 °F (45 °C). Do not operate this product at higher temperatures.

Contact

Outside the U.S., United Kingdom, Ireland, Mexico, or Benelux, contact your distributor to request support or return a product. From inside the U.S., UK, Ireland, Mexico, or Benelux, use the information in [Contact Us](#) at the end of this QRG.

What is Included

- Rogue R3 Spot
- Neutrik® powerCON® power cord
- 2 Omega brackets with mounting hardware
- Warranty Card
- Quick Reference Guide

AC Power

This product has an auto-ranging power supply that can work with an input voltage range of 100–240 VAC, 50/60 Hz.

AC Plug

Connection	Wire (U.S.)	Wire (Europe)	Screw Color
AC Live	Black	Brown	Yellow/Brass
AC Neutral	White	Blue	Silver
AC Ground	Green/Yellow	Green/Yellow	Green



To eliminate unnecessary wear and improve its lifespan, during periods of non-use completely disconnect the product from power via breaker or by unplugging it.

Power Linking

You can link up to 3 Rogue R3 Spot products at 120 V, 5 products at 208 V, or 6 products at 230 V. Never exceed this number. Power linking cords can be purchased separately.

Replacing The Fuse

1. Disconnect this product from power
2. Using a flat head screwdriver, unscrew the fuse holder cap from the housing.
3. Remove blown fuse and replace with a good fuse of the same type and rating.
4. Screw the fuse holder cap back in place and reconnect power.

DMX Linking

The Rogue R3 Spot will work with a DMX controller using a 3- or 5-pin DMX serial connection. A DMX Primer is available from www.chauvetprofessional.com.

DMX Connection

The Rogue R3 Spot uses a 3- or 5-pin DMX data connection for its 2 DMX personalities. See the User Manual for information about connecting and configuring the product for DMX operation.

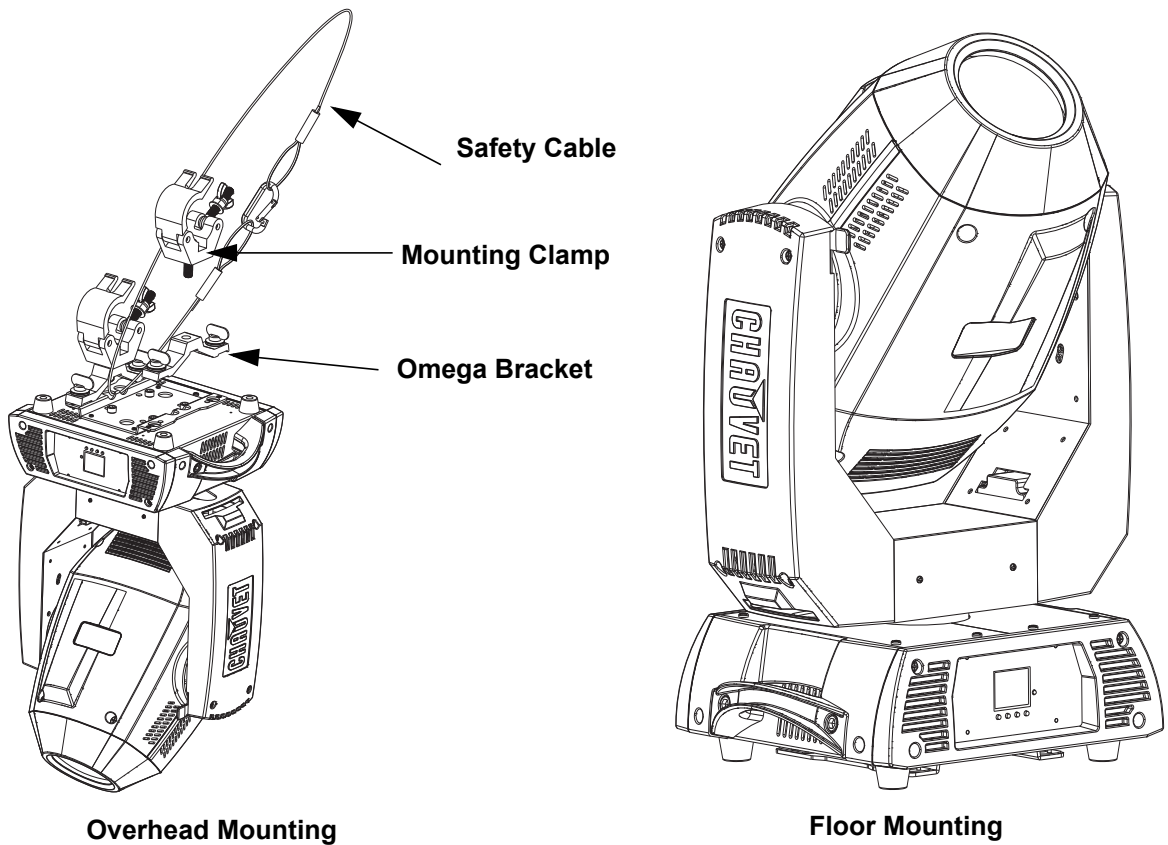
RDM (Remote Device Management)

Remote Device Management, or RDM, is a standard for allowing DMX-enabled devices to communicate bi-directionally along existing DMX cabling. Check the DMX controller’s User Manual or with the manufacturer as not all DMX controllers have this capability. The Rogue R3 Spot supports RDM protocol that allows feedback to make changes to menu map options. Download the User Manual from www.chauvetprofessional.com for more details.

Mounting

Before mounting this product, read the [Safety Notes](#). Use at least one mounting point per product. Make sure the mounting clamps are capable of supporting the weight of the product. For our Chauvet line of mounting clamps, go to <http://trusst.com/productcategory/truss-clamps/>

Product Mounting Diagram



Control Panel Description

Button	Function
<MENU>	Exits from the current menu or function
<ENTER>	Enables the currently displayed menu or sets the currently selected value into the selected function
<UP>	Navigates upwards through the menu list or increases the numeric value when in a function
<DOWN>	Navigates downwards through the menu list or decreases the numeric value when in a function

QUICK REFERENCE GUIDE



EN

Menu Map

Main Level	Programming Levels		Description	
Running Mode	001-512		Sets the DMX starting address	
	DMX	25	Selects the DMX mode	
		19		
	Auto Test		Runs the product's test sequence	
	Manual Test	Pan	000-255	Allows manual control of all settings from the control panel
		Pan Fine		
		Tilt		
		Tilt Fine		
		P/T Speed		
		Dimmer		
		Dimmer Fine		
		Shutter		
		Color 1		
		Color 2		
		Gobo		
		Gobo Rot		
		Gobo 2		
		Focus		
		Zoom		
		Prism		
Prism Rotate				
Iris				
Frost				
LED Ma. Fade				
Background				
P/T Macro				
P/T Macro Speed				
Special Function				
Setup	Pan Reverse	YES	Reverse pan operation	
		NO	Normal pan operation	
	Tilt Reverse	YES	Reverse tilt operation	
		NO	Normal tilt operation	
	Screen Rev	YES	Normal control screen view	
		NO	Rotates control screen view 180°	
	Pan Angle	540	Selects the 540° pan angle range	
		360	Selects the 360° pan angle range	
		180	Selects the 180° pan angle range	
	Tilt Angle	250	Selects the 250° tilt angle range	
		180	Selects the 180° tilt angle range	
		90	Selects the 90° tilt angle range	
	BL.O.P/T Move	YES	Defines the pan/tilt move-in-black delay	
		NO		
	BL.O.Color Move	YES	Defines the color change move-in-black delay	
		NO		
	BL.O.Gobo Move	YES	Defines the gobo change move-in-black delay	
		NO		
PWM Option	600Hz	Selects the PWM output frequency		
	1200Hz			
	6000Hz			
	15KHz			
Fans	ECO	Change the fans speed mode		
	Auto			

Main Level	Programming Levels			Description
Setup	Reset Function	Pan/Tilt	YES	Resets pan/tilt functions to the home position
			NO	
		Prism	YES	Resets all prism functions to the home position
			NO	
		Color/Frost	YES	Resets all color and frost functions to the home position
			NO	
		Gobo&R/Gobo2	YES	Resets all gobo functions to the home position
			NO	
		Focus/Iris	YES	Resets the focus and iris functions to the home position
			NO	
All	YES	Resets all functions to the home position		
	NO			
Factory Settings	YES		Reverts the product back to the original factory settings	
	NO			
Sys Info	Ver			Displays the software version
	Running Mode			Displays the current running mode
	DMX Address			Displays the current DMX address
	Temperature			Displays the product's temperature in Celsius
	Fixture Time			Displays the product's total time running
	UID			Shows product UID

**DMX Value
25-CH**

Channel	Function	Value	Percent/Setting
1	Pan	000 ⇄ 255	0-100%
2	Fine Pan	000 ⇄ 255	Fine control (16-bit)
3	Tilt	000 ⇄ 255	0-100%
4	Fine Tilt	000 ⇄ 255	Fine control (16-bit)
5	Pan/Tilt Speed	000 ⇄ 255	0-100%
6	Dimmer	000 ⇄ 255	0-100%
7	Fine Dimmer	000 ⇄ 255	Fine control (16-bit)
8	Strobe	000 ⇄ 003	Off
		004 ⇄ 007	On
		008 ⇄ 076	Synchronizing strobe with increasing speed
		077 ⇄ 145	Pulse strobe with increasing speed
		146 ⇄ 215	Random strobe with increasing speed
		216 ⇄ 255	On
9	Color 1	000 ⇄ 007	White
		008 ⇄ 015	Color 1
		016 ⇄ 023	Color 2
		024 ⇄ 031	Color 3
		032 ⇄ 039	Color 4
		040 ⇄ 047	Color 5
		048 ⇄ 055	Color 6
		056 ⇄ 063	Color 7
		064 ⇄ 071	White + Color 1
		072 ⇄ 079	Color 1 + Color 2
		080 ⇄ 087	Color 2 + Color 3
		088 ⇄ 095	Color 3 + Color 4
		096 ⇄ 103	Color 4 + Color 5
		104 ⇄ 111	Color 5 + Color 6
		112 ⇄ 119	Color 6 + Color 7
		120 ⇄ 127	Color 7 + White
128 ⇄ 191	Clockwise color scroll, slow to fast		
192 ⇄ 255	Counter-clockwise color scroll, slow to fast		

QUICK REFERENCE GUIDE



EN

Channel	Function	Value	Percent/Setting
10	Color 2	000 ⇄ 007	White
		008 ⇄ 015	Color 1
		016 ⇄ 023	Color 2
		024 ⇄ 031	Color 3
		032 ⇄ 039	Color 4
		040 ⇄ 047	Color 5
		048 ⇄ 055	Color 6
		056 ⇄ 063	Color 7
		064 ⇄ 071	White + Color 1
		072 ⇄ 079	Color 1 + Color 2
		080 ⇄ 087	Color 2 + Color 3
		088 ⇄ 095	Color 3 + Color 4
		096 ⇄ 103	Color 4 + Color 5
		104 ⇄ 111	Color 5 + Color 6
		112 ⇄ 119	Color 6 + Color 7
		120 ⇄ 127	Color 7 + White
128 ⇄ 191	Clockwise color scroll, slow to fast		
192 ⇄ 255	Counter-clockwise color scroll, slow to fast		
11	Rotating Gobo Wheel 1	000 ⇄ 007	Open
		008 ⇄ 015	Gobo 1
		016 ⇄ 023	Gobo 2
		024 ⇄ 031	Gobo 3
		032 ⇄ 039	Gobo 4
		040 ⇄ 047	Gobo 5
		048 ⇄ 055	Gobo 6
		056 ⇄ 063	Gobo 7
		064 ⇄ 071	Gobo 7 shake, from slow to fast
		072 ⇄ 079	Gobo 6 shake, from slow to fast
		080 ⇄ 087	Gobo 5 shake, from slow to fast
		088 ⇄ 095	Gobo 4 shake, from slow to fast
		096 ⇄ 103	Gobo 3 shake, from slow to fast
		104 ⇄ 111	Gobo 2 shake, from slow to fast
		112 ⇄ 119	Gobo 1 shake, from slow to fast
		120 ⇄ 127	Open
128 ⇄ 191	Clockwise color scroll, slow to fast		
192 ⇄ 255	Counter-clockwise color scroll, slow to fast		
12	Rotating Gobo Wheel 2	000 ⇄ 063	Rotating gobo index
		064 ⇄ 147	Clockwise rotation, from slow to fast
		148 ⇄ 231	Counter clockwise rotation, from slow to fast
		232 ⇄ 255	Bounce effect
13	Static Gobo Wheel	000 ⇄ 006	Open
		007 ⇄ 013	Gobo 1
		014 ⇄ 020	Gobo 2
		021 ⇄ 027	Gobo 3
		028 ⇄ 034	Gobo 4
		035 ⇄ 041	Gobo 5
		042 ⇄ 048	Gobo 6
		049 ⇄ 055	Gobo 7
		056 ⇄ 063	Gobo 8
		064 ⇄ 071	Gobo 8 shake, from slow to fast
		072 ⇄ 078	Gobo 7 shake, from slow to fast
		079 ⇄ 085	Gobo 6 shake, from slow to fast
		086 ⇄ 092	Gobo 5 shake, from slow to fast
		093 ⇄ 099	Gobo 4 shake, from slow to fast
		100 ⇄ 106	Gobo 3 shake, from slow to fast
		107 ⇄ 113	Gobo 2 shake, from slow to fast
114 ⇄ 120	Gobo 1 shake, from slow to fast		
121 ⇄ 127	Open		
128 ⇄ 191	Clockwise rotation, from slow to fast		
192 ⇄ 255	Counter clockwise rotation, from slow to fast		
14	Focus	000 ⇄ 255	0-100%
15	Fine Focus	000 ⇄ 255	Fine control (16-bit)

Channel	Function	Value	Percent/Setting
16	Auto Focus	000 ⇔ 000	No function
		001 ⇔ 012	5 meters (static gobo wheel)
		013 ⇔ 024	6 meters (static gobo wheel)
		025 ⇔ 036	7 meters (static gobo wheel)
		037 ⇔ 048	8 meters (static gobo wheel)
		049 ⇔ 060	9 meters (static gobo wheel)
		061 ⇔ 072	10 meters (static gobo wheel)
		073 ⇔ 084	15 meters (static gobo wheel)
		085 ⇔ 100	20 meters (static gobo wheel)
		101 ⇔ 127	Auto focus (static gobo wheel)
		128 ⇔ 139	5 meters (rotating gobo wheel)
		140 ⇔ 151	6 meters (rotating gobo wheel)
		152 ⇔ 163	7 meters (rotating gobo wheel)
		164 ⇔ 175	8 meters (rotating gobo wheel)
		176 ⇔ 187	9 meters (rotating gobo wheel)
		188 ⇔ 199	10 meters (rotating gobo wheel)
200 ⇔ 211	15 meters (rotating gobo wheel)		
212 ⇔ 227	20 meters (rotating gobo wheel)		
228 ⇔ 255	Auto focus (rotating gobo wheel)		
17	Zoom	000 ⇔ 255	0-100%
18	Fine Zoom	000 ⇔ 255	Fine Control (16-bit)
19	Prism	000 ⇔ 004	No function
		005 ⇔ 255	Prism Effect
20	Rotating Prism	000 ⇔ 127	Prism index
		128 ⇔ 189	Clockwise rotation, fast to slow
		190 ⇔ 193	Hold
		194 ⇔ 255	Counter-clockwise rotation, slow to fast
21	Iris	000 ⇔ 063	Big to small
		064 ⇔ 127	Auto change, slow to fast
		128 ⇔ 191	Slow zoom out, fast zoom in (slow to fast)
		192 ⇔ 255	Slow zoom in, fast zoom out (slow to fast)
22	Frost	000 ⇔ 004	No function
		005 ⇔ 255	Frost effect
23	Auto Program	000 ⇔ 007	Auto program 1
		008 ⇔ 015	Auto program 2
		016 ⇔ 023	Auto program 3
		024 ⇔ 031	Auto program 4
		032 ⇔ 039	Auto program 5
		040 ⇔ 047	Auto program 6
		048 ⇔ 055	Auto program 7
		056 ⇔ 063	Auto program 8
		064 ⇔ 071	Auto program 9
		072 ⇔ 079	Auto program 10
		080 ⇔ 087	Auto program 11
		088 ⇔ 095	Auto program 12
		096 ⇔ 103	Auto program 13
		104 ⇔ 111	Auto program 14
		112 ⇔ 119	Auto program 15
		120 ⇔ 127	Auto program 16
		128 ⇔ 135	Auto program 17
		136 ⇔ 143	Auto program 18
		144 ⇔ 151	Auto program 19
		152 ⇔ 159	Auto program 20
		160 ⇔ 167	Auto program 21
		168 ⇔ 175	Auto program 22
		176 ⇔ 183	Auto program 23
		184 ⇔ 191	Auto program 24
192 ⇔ 199	Auto program 25		
200 ⇔ 207	Auto program 26		
208 ⇔ 215	Auto program 27		
216 ⇔ 223	Auto program 28		
224 ⇔ 231	Auto program 29		
232 ⇔ 239	Auto program 30		
240 ⇔ 255	Auto program 31		
24	Auto Speed	000 ⇔ 255	Slow to fast

QUICK REFERENCE GUIDE



EN

Channel	Function	Value	Percent/Setting
25	Control	000 ⇔ 007	No function
		008 ⇔ 015	Blackout during pan/tilt
		016 ⇔ 023	Blackout while color wheel is moving
		024 ⇔ 031	Blackout while gobo wheel is moving
		032 ⇔ 039	Blackout while pan/tilt/moving color wheel
		040 ⇔ 047	Blackout while pan/tilt/moving gobo wheel
		048 ⇔ 055	Blackout while pan/tilt/moving color wheel/moving gobo wheel
		056 ⇔ 087	No function
		088 ⇔ 095	No function
		096 ⇔ 103	Pan reset
		104 ⇔ 111	Tilt reset
		112 ⇔ 119	Color Reset
		120 ⇔ 127	Gobo reset
		128 ⇔ 135	No function
		136 ⇔ 143	Prism reset
		144 ⇔ 151	No function
		152 ⇔ 159	All reset
		160 ⇔ 167	Iris reset
		168 ⇔ 175	Frost reset
		176 ⇔ 183	Zoom reset
184 ⇔ 239	No function		
240 ⇔ 247	No function		
248 ⇔ 255	No function		

19CH

Channel	Function	Value	Percent/Setting
1	Pan	000 ⇔ 255	0-100%
2	Fine Pan	000 ⇔ 255	Fine control (16-bit)
3	Tilt	000 ⇔ 255	0-100%
4	Fine Tilt	000 ⇔ 255	Fine control (16-bit)
5	Pan/Tilt Speed	000 ⇔ 255	0-100%
6	Dimmer	000 ⇔ 255	0-100%
7	Strobe	000 ⇔ 003	Off
		004 ⇔ 007	On
		008 ⇔ 076	Synchronizing strobe with increasing speed
		077 ⇔ 145	Pulse strobe with increasing speed
		146 ⇔ 215	Random strobe with increasing speed
		216 ⇔ 255	On
8	Color 1	000 ⇔ 007	White
		008 ⇔ 015	Color 1
		016 ⇔ 023	Color 2
		024 ⇔ 031	Color 3
		032 ⇔ 039	Color 4
		040 ⇔ 047	Color 5
		048 ⇔ 055	Color 6
		056 ⇔ 063	Color 7
		064 ⇔ 071	White + Color 1
		072 ⇔ 079	Color 1 + Color 2
		080 ⇔ 087	Color 2 + Color 3
		088 ⇔ 095	Color 3 + Color 4
		096 ⇔ 103	Color 4 + Color 5
		104 ⇔ 111	Color 5 + Color 6
		112 ⇔ 119	Color 6 + Color 7
		120 ⇔ 127	Color 7 + White
		128 ⇔ 191	Clockwise color scroll, slow to fast
192 ⇔ 255	Counter-clockwise color scroll, slow to fast		

Channel	Function	Value	Percent/Setting
9	Color 2	000 ⇔ 007	White
		008 ⇔ 015	Color 1
		016 ⇔ 023	Color 2
		024 ⇔ 031	Color 3
		032 ⇔ 039	Color 4
		040 ⇔ 047	Color 5
		048 ⇔ 055	Color 6
		056 ⇔ 063	Color 7
		064 ⇔ 071	White + Color 1
		072 ⇔ 079	Color 1 + Color 2
		080 ⇔ 087	Color 2 + Color 3
		088 ⇔ 095	Color 3 + Color 4
		096 ⇔ 103	Color 4 + Color 5
		104 ⇔ 111	Color 5 + Color 6
		112 ⇔ 119	Color 6 + Color 7
		120 ⇔ 127	Color 7 + White
128 ⇔ 191	Clockwise color scroll, slow to fast		
192 ⇔ 255	Counter-clockwise color scroll, slow to fast		
10	Rotating Gobo Wheel 1	000 ⇔ 007	Open
		008 ⇔ 015	Gobo 1
		016 ⇔ 023	Gobo 2
		024 ⇔ 031	Gobo 3
		032 ⇔ 039	Gobo 4
		040 ⇔ 047	Gobo 5
		048 ⇔ 055	Gobo 6
		056 ⇔ 063	Gobo 7
		064 ⇔ 071	Gobo 7 shake, from slow to fast
		072 ⇔ 079	Gobo 6 shake, from slow to fast
		080 ⇔ 087	Gobo 5 shake, from slow to fast
		088 ⇔ 095	Gobo 4 shake, from slow to fast
		096 ⇔ 103	Gobo 3 shake, from slow to fast
		104 ⇔ 111	Gobo 2 shake, from slow to fast
		112 ⇔ 119	Gobo 1 shake, from slow to fast
		120 ⇔ 127	Open
128 ⇔ 191	Clockwise color scroll, slow to fast		
192 ⇔ 255	Counter-clockwise color scroll, slow to fast		
11	Rotating Gobo Wheel 2	000 ⇔ 063	Rotating gobo index
		064 ⇔ 147	Clockwise rotation, from slow to fast
		148 ⇔ 231	Counter clockwise rotation, from slow to fast
		232 ⇔ 255	Bounce effect
12	Static Gobo Wheel	000 ⇔ 006	Open
		007 ⇔ 013	Gobo 1
		014 ⇔ 020	Gobo 2
		021 ⇔ 027	Gobo 3
		028 ⇔ 034	Gobo 4
		035 ⇔ 041	Gobo 5
		042 ⇔ 048	Gobo 6
		049 ⇔ 055	Gobo 7
		056 ⇔ 063	Gobo 8
		064 ⇔ 071	Gobo 8 shake, from slow to fast
		072 ⇔ 078	Gobo 7 shake, from slow to fast
		079 ⇔ 085	Gobo 6 shake, from slow to fast
		086 ⇔ 092	Gobo 5 shake, from slow to fast
		093 ⇔ 099	Gobo 4 shake, from slow to fast
		100 ⇔ 106	Gobo 3 shake, from slow to fast
		107 ⇔ 113	Gobo 2 shake, from slow to fast
114 ⇔ 120	Gobo 1 shake, from slow to fast		
121 ⇔ 127	Open		
128 ⇔ 191	Clockwise rotation, from slow to fast		
192 ⇔ 255	Counter clockwise rotation, from slow to fast		
13	Focus	000 ⇔ 255	0-100%
14	Zoom	000 ⇔ 255	0-100%
15	Prism	000 ⇔ 004	No function
		005 ⇔ 255	Prism Effect

QUICK REFERENCE GUIDE



EN

Channel	Function	Value	Percent/Setting
16	Rotating Prism	000 ⇄ 127	Prism index
		128 ⇄ 189	Clockwise rotation, fast to slow
		190 ⇄ 193	Hold
		194 ⇄ 255	Counter-clockwise rotation, slow to fast
17	Iris	000 ⇄ 063	Big to small
		064 ⇄ 127	Auto change, slow to fast
		128 ⇄ 191	Slow zoom out, fast zoom in (slow to fast)
		192 ⇄ 255	Slow zoom in, fast zoom out (slow to fast)
18	Frost	000 ⇄ 004	No function
		005 ⇄ 255	Frost effect
19	Control	000 ⇄ 007	No function
		008 ⇄ 015	Blackout during pan/tilt
		016 ⇄ 023	Blackout while color wheel is moving
		024 ⇄ 031	Blackout while gobo wheel is moving
		032 ⇄ 039	Blackout while pan/tilt/moving color wheel
		040 ⇄ 047	Blackout while pan/tilt/moving gobo wheel
		048 ⇄ 055	Blackout while pan/tilt/moving color wheel/moving gobo wheel
		056 ⇄ 087	No function
		088 ⇄ 095	No function
		096 ⇄ 103	Pan reset
		104 ⇄ 111	Tilt reset
		112 ⇄ 119	Color Reset
		120 ⇄ 127	Gobo reset
		128 ⇄ 135	No function
		136 ⇄ 143	Prism reset
		144 ⇄ 151	No function
		152 ⇄ 159	All reset
		160 ⇄ 167	Iris reset
		168 ⇄ 175	Frost reset
		176 ⇄ 183	Zoom reset
184 ⇄ 239	No function		
240 ⇄ 247	No function		
248 ⇄ 255	No function		

Acerca de Esta Guía

La Guía de Referencia Rápida (GRR) del Rogue R3 Spot contiene información básica sobre el producto, como montaje, opciones de menú y valores DMX. Descargue el Manual de Usuario de www.chauvetprofessional.com para información más detallada.

Exención de Responsabilidad

La información y especificaciones contenidas en esta GRR están sujetas a cambio sin previo aviso.

Notas de Seguridad

- NO abra este producto. No contiene piezas reparables por el usuario.
- Para evitar un desgaste innecesario y alargar su vida útil, desconecte complemente el producto de la alimentación, mediante el interruptor o desenchufándolo, durante los periodos en los que no se use.
- NO mire a la fuente de luz cuando el producto esté encendido.
- CUIDADO: La carcasa de este producto está caliente cuando las luces están en funcionamiento.
- Monte este producto en una ubicación con ventilación adecuada, al menos a 20" (50 cm) de superficies adyacentes.
- NO deje ningún material inflamable a menos de 50 cm de este producto mientras esté funcionando o conectado a la alimentación.
- Cuidado: cuando transfiera el producto desde ambientes con temperatura extrema (p. ej., del remolque frío de un camión a una sala de baile con calor y humedad), puede formarse condensación en la electrónica interna del producto. Para evitar que se produzca una avería, deje que el producto se aclimate completamente al ambiente antes de conectar la alimentación.
- USE un cable de seguridad cuando monte este producto en lo alto.
- NO ponga en funcionamiento este producto en el exterior o en cualquier ubicación en la que el polvo, calor excesivo, agua o humedad puedan afectarlo. (IP20).
- NO ponga en funcionamiento este producto si sospecha que la carcasa, lentes o cables están dañados.
- NO conecte este producto a un atenuador o reostato.
- Conecte este producto SOLO a un circuito con toma de tierra y protegido.
- Use SOLAMENTE los soportes de colgar/montar para mover este producto. NO lo transporte agarrando por la cabeza móvil.
- En caso de un problema grave de funcionamiento, deje de usarlo inmediatamente.
- La máxima temperatura ambiente es de 113 °F (45 °C). No haga funcionar este producto a temperaturas más altas.

Contacto

Fuera de EE.UU, Reino Unido, Irlanda, México o Benelux, póngase en contacto con su distribuidor para solicitar asistencia o devolver el producto. Visite [Contact Us](#) para información de contacto.

Qué va Incluido

- Rogue R3 Spot
- Cable de alimentación Neutrik® powerCON®
- Soporte Omega con material de montaje
- Tarjeta de Garantía
- Guía de Referencia Rápida

Corriente Alterna

Este producto tiene una fuente de alimentación con detección automática que puede funcionar con un rango de tensión de entrada de 100 a 240 VCA, 50/60 Hz.

Enchufe CA

Conexión	Cable (EE.UU.)	Cable (Europa)	Color del tornillo
CA Cargado	Negro	Marrón	Amarillo/Latón
CA Neutro	Blanco	Azul	Plata
CA Tierra	Verde/Amarillo	Verde/Amarillo	Verde



Para evitar un desgaste innecesario y alargar su vida útil, desconecte complemente el producto de la alimentación, mediante el interruptor o desenchufándolo, durante los periodos en los que no se use.

Alimentación en Cadena

Puede enlazar hasta 3 productos Rogue R3 Spot a 120 V, 5 productos a 208 V o 6 productos a 230 V. Nunca sobrepase este número. Los cables de alimentación en cadena se pueden adquirir por separado.

Sustitución del Fusible

1. Desconecte este producto de la alimentación.
2. Utilizando un destornillador plano, desatornille la tapa del portafusibles de la carcasa.
3. Quite el fusible fundido del portafusibles y sustitúyalo con uno nuevo del mismo tipo y categoría.
4. Vuelva a atornillar la tapa del portafusibles en su sitio y conecte de nuevo la alimentación.

Enlace DMX

El Rogue R3 Spot funcionará con un controlador DMX usando una conexión serie DMX normal. Hay un manual DMX disponible en www.chauvetprofessional.com.

Conexión DMX

El Rogue R3 Spot usa una conexión de datos DMX normal para sus personalidades. Vea el Manual de Usuario para conectar y configurar para funcionamiento DMX.

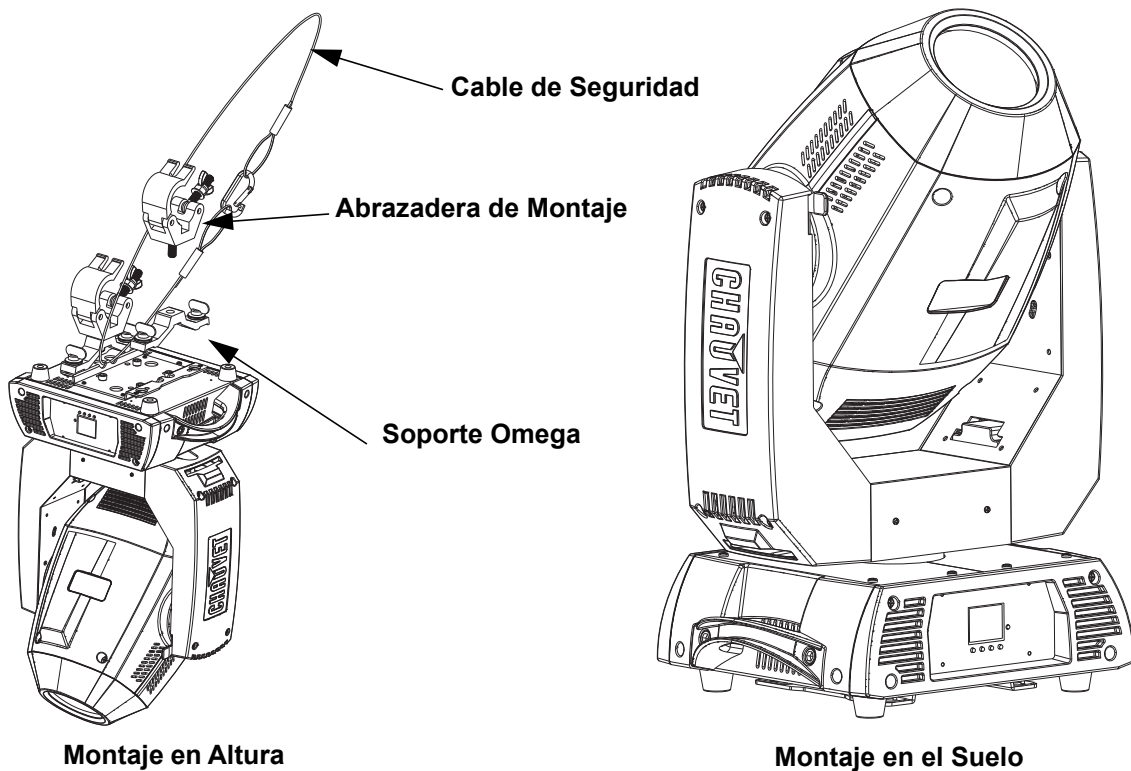
RDM (gestión remota del dispositivo)

Remote Device Management (gestión remota del dispositivo) o RDM, es un estándar que permite a los dispositivos con capacidad DMX una comunicación bidireccional por un cableado DMX existente. El Rogue R3 Spot admite protocolo RDM, que posibilita información para supervisar cambiar las opciones del mapa de menú. Descargue el manual de usuario de www.chauvetprofessional.com para una información más detallada.

Montaje

Antes de montar este producto, lea las [Notas de Seguridad](#). Asegúrese de que las abrazaderas de montaje son capaces de soportar el peso del producto. Para nuestra línea Chauvet de abrazaderas de montaje, visite <http://trusst.com/productcategory/truss-clamps/>

Diagrama de Montaje del Producto



Descripción del Panel de Control

Botón	Función
<MENU>	Sale del menú o función actual
<ENTER>	Habilita el menú actualmente en pantalla o configura el valor seleccionado actualmente dentro de la función seleccionada
<UP>	Navega hacia arriba por la lista de menú o aumenta el valor numérico cuando está en una función
<DOWN>	Navega hacia abajo por la lista de menú o disminuye el valor numérico cuando está en una función

Mapa de Menú

Nivel Principal	Niveles de Programación		Descripción	
Address	001-512		Configura la dirección inicial DMX	
Running Mode	DMX	25	Selecciona la personalidad DMX	
		19		
	Auto Test		Inicia la secuencia de prueba del dispositivo	
	Manual Test	Pan	000-255	Permite control manual de toda la configuración desde el panel de control
		Pan Fine		
		Tilt		
		Tilt Fine		
		P/T Speed		
		Dimmer		
		Dimmer Fine		
		Shutter		
		Color 1		
		Color 2		
		Gobo		
		Gobo Rot		
		Gobo 2		
		Focus		
		Zoom		
		Prism		
		Prism Rotate		
Iris				
Frost				
LED Ma. Fade				
Background				
P/T Macro				
P/T Macro Speed				
Special Function				
Setup	Pan Reverse	YES	Invierte el funcionamiento del desplazamiento lateral	
		NO	Funcionamiento de desplazamiento lateral normal	
	Tilt Reverse	YES	Invierte el funcionamiento de la inclinación	
		NO	Funcionamiento inclinación normal	
	Screen Rev	YES	Vista normal de la pantalla de control	
		NO	Gira la pantalla de control 180°	
	Pan Angle	540	Selecciona el rango de desplazamiento lateral de 540°	
		360	Selecciona el rango de desplazamiento lateral de 360°	
		180	Selecciona el rango de desplazamiento lateral de 180°	
	Tilt Angle	250	Selecciona el rango de inclinación de 250°	
		180	Selecciona el rango de inclinación de 180°	
		90	Selecciona el rango de inclinación de 90°	
	BL.O.P/T Move	YES	Define el retardo de move-in-black para el desplazamiento lateral/inclinación	
		NO		
BL.O.Color Move	YES	Define el retardo de move-in-black para el cambio de color		
	NO			
BL.O.Gobo Move	YES	Define el retardo de move-in-black para el cambio de gobo		
	NO			

Nivel Principal	Niveles de Programación		Descripción	
Setup	PWM Option	600Hz	Selecciona la frecuencia de emisión PWM	
		1200Hz		
		6000Hz		
		15KHz		
	Fans	ECO	Cambiar el modo de velocidad del ventilador	
		Auto		
	Reset Function	Pan/Tilt	YES	Reinicia las funciones de desplazamiento lateral/inclinación a la posición de inicio
			NO	
		Prism	YES	Reinicia las funciones de prisma a la posición de inicio
			NO	
		Color/Frost	YES	Reinicia todas las funciones de color y difusor a la posición de inicio
			NO	
	Gobo&R/Gobo2	YES	Reinicia todas las funciones de gobo, a la posición de inicio	
NO				
Focus/Iris	YES	Reinicia las funciones de iris y foco a la posición de inicio		
	NO			
All	YES	Reinicia todas las funciones a la posición de inicio		
	NO			
Factory Settings	YES	Devuelve el producto a su configuración de fábrica original		
	NO			
Sys Info	Ver		Muestra en pantalla la versión de software	
	Running Mode		Muestra el modo de ejecución actual	
	DMX Address		Muestra la dirección DMX actual	
	Temperature		Muestra la temperatura del producto en Celsius	
	UID:		Muestra actual UID #	

Valores DMX

25-CH

Canal	Función	Valor	Porcentaje/Configuración
1	Desplazamiento Lateral	000 ⇄ 255	0-100%
2	Desplazamiento Lateral Fino	000 ⇄ 255	0-100%
3	Inclinación	000 ⇄ 255	0-100%
4	Inclinación Fina	000 ⇄ 255	0-100%
5	Velocidad Desplazamiento Lateral/Inclinación	000 ⇄ 255	0-100%
6	Atenuador	000 ⇄ 255	0-100%
7	Atenuador Fino	000 ⇄ 255	0-100%
8	Obturador	000 ⇄ 003	Cerrado
		004 ⇄ 007	Abierto
		008 ⇄ 076	Lento a rápido
		077 ⇄ 145	Efecto pulso de lento a rápido
		146 ⇄ 215	Efecto aleatorio de lento a rápido
		216 ⇄ 255	Abierto
9	Rueda de Color 1	000 ⇄ 007	Blanco
		008 ⇄ 015	Color 1
		016 ⇄ 023	Color 2
		024 ⇄ 031	Color 3
		032 ⇄ 039	Color 4
		040 ⇄ 047	Color 5
		048 ⇄ 055	Color 6
		056 ⇄ 063	Color 7
		064 ⇄ 071	Blanco + Color 1
		072 ⇄ 079	Color 1 + Color 2
		080 ⇄ 087	Color 2 + Color 3
		088 ⇄ 095	Color 3 + Color 4
096 ⇄ 103	Color 4 + Color 5		

Canal	Función	Valor	Porcentaje/Configuración
9	Rueda de Color 1	104 ⇄ 111	Color 5 + Color 6
		112 ⇄ 119	Color 6 + Color 7
		120 ⇄ 127	Color 7 + Blanco
		128 ⇄ 191	Desplazamiento de color dextrógiro, lento a rápido
		192 ⇄ 255	Desplazamiento de color levógiro, lento a rápido
10	Rueda de Color 2	000 ⇄ 007	Blanco
		008 ⇄ 015	Color 1
		016 ⇄ 023	Color 2
		024 ⇄ 031	Color 3
		032 ⇄ 039	Color 4
		040 ⇄ 047	Color 5
		048 ⇄ 055	Color 6
		056 ⇄ 063	Color 7
		064 ⇄ 071	Blanco + Color 1
		072 ⇄ 079	Color 1 + Color 2
		080 ⇄ 087	Color 2 + Color 3
		088 ⇄ 095	Color 3 + Color 4
		096 ⇄ 103	Color 4 + Color 5
		104 ⇄ 111	Color 5 + Color 6
		112 ⇄ 119	Color 6 + Color 7
120 ⇄ 127	Color 7 + Blanco		
128 ⇄ 191	Desplazamiento de color dextrógiro, lento a rápido		
192 ⇄ 255	Desplazamiento de color levógiro, lento a rápido		
11	Rueda de Gobo 1	000 ⇄ 007	Abierto
		008 ⇄ 015	Gobo 1
		016 ⇄ 023	Gobo 2
		024 ⇄ 031	Gobo 3
		032 ⇄ 039	Gobo 4
		040 ⇄ 047	Gobo 5
		048 ⇄ 055	Gobo 6
		056 ⇄ 063	Gobo 7
		064 ⇄ 071	Vibración de gobo, 7, lento a rápido
		072 ⇄ 079	Vibración de gobo, 6, lento a rápido
		080 ⇄ 087	Vibración de gobo, 5, lento a rápido
		088 ⇄ 095	Vibración de gobo, 4, lento a rápido
		096 ⇄ 103	Vibración de gobo, 3, lento a rápido
		104 ⇄ 111	Vibración de gobo, 2, lento a rápido
		112 ⇄ 119	Vibración de gobo, 1, lento a rápido
120 ⇄ 127	Abierto		
128 ⇄ 191	Desplazamiento de color dextrógiro, lento a rápido		
192 ⇄ 255	Desplazamiento de color levógiro, lento a rápido		
12	Rueda de Gobo 2	000 ⇄ 063	Gobo indexado
		064 ⇄ 147	Giro dextrógiro, lento a rápido
		148 ⇄ 231	Giro levógiro, lento a rápido
		232 ⇄ 255	Efecto Boomerang, lento a rápido
13	Rueda de gobo estático (véa Gobos)	000 ⇄ 006	Abierto
		007 ⇄ 013	Gobo 1
		014 ⇄ 020	Gobo 2
		021 ⇄ 027	Gobo 3
		028 ⇄ 034	Gobo 4
		035 ⇄ 041	Gobo 5
		042 ⇄ 048	Gobo 6
		049 ⇄ 055	Gobo 7
		056 ⇄ 063	Gobo 8
		064 ⇄ 071	Vibración de gobo, 8, lento a rápido
		072 ⇄ 078	Vibración de gobo, 7, lento a rápido
		079 ⇄ 085	Vibración de gobo, 6, lento a rápido
		086 ⇄ 092	Vibración de gobo, 5, lento a rápido
		093 ⇄ 099	Vibración de gobo, 4, lento a rápido
		100 ⇄ 106	Vibración de gobo, 3, lento a rápido
		107 ⇄ 113	Vibración de gobo, 2, lento a rápido
		114 ⇄ 120	Vibración de gobo, 1, lento a rápido
		121 ⇄ 127	Abierto
		128 ⇄ 191	Desplazamiento de color dextrógiro, lento a rápido
192 ⇄ 255	Desplazamiento de color levógiro, lento a rápido		

GUÍA DE REFERENCIA RÁPIDA



ES

Canal	Función	Valor	Porcentaje/Configuración
14	Foco	000 ⇄ 255	0-100%
15	Foco Fino	000 ⇄ 255	0-100%
16	Autofoco	000 ⇄ 000	Sin función
		001 ⇄ 012	5 meters (Rueda de gobo estático)
		013 ⇄ 024	6 meters (Rueda de gobo estático)
		025 ⇄ 036	7 meters (Rueda de gobo estático)
		037 ⇄ 048	8 meters (Rueda de gobo estático)
		049 ⇄ 060	9 meters (Rueda de gobo estático)
		061 ⇄ 072	10 meters (Rueda de gobo estático)
		073 ⇄ 084	15 meters (Rueda de gobo estático)
		085 ⇄ 100	20 meters (Rueda de gobo estático)
		101 ⇄ 127	Auto focus (Rueda de gobo estático)
		128 ⇄ 139	5 meters (Rueda de gobo giratorio)
		140 ⇄ 151	6 meters (Rueda de gobo giratorio)
		152 ⇄ 163	7 meters (Rueda de gobo giratorio)
		164 ⇄ 175	8 meters (Rueda de gobo giratorio)
		176 ⇄ 187	9 meters (Rueda de gobo giratorio)
188 ⇄ 199	10 meters (Rueda de gobo giratorio)		
200 ⇄ 211	15 meters (Rueda de gobo giratorio)		
212 ⇄ 227	20 meters (Rueda de gobo giratorio)		
228 ⇄ 255	Autofoco (Rueda de gobo giratorio)		
17	Zoom	000 ⇄ 255	0-100%
18	Zoom fino	000 ⇄ 255	0-100%
19	Prisma	000 ⇄ 004	Sin función
		005 ⇄ 255	Insertar prisma
20	Girar Prisma	000 ⇄ 127	Indexado prisma
		128 ⇄ 189	Giro levógiro, rápido a lento
		190 ⇄ 193	Parada
		194 ⇄ 255	Giro dextrógiro, lento a rápido
21	Iris	000 ⇄ 063	Amplia para reducir
		064 ⇄ 127	Efecto Iris, lento a rápido
		128 ⇄ 191	Efecto Iris, en lento, salir rápido
		192 ⇄ 255	Efecto Iris, despacio, en rápido
22	Difusor	000 ⇄ 004	Sin función
		005 ⇄ 255	Efecto difusor
23	Programa Automático	000 ⇄ 007	Programa automático 1
		008 ⇄ 015	Programa automático 2
		016 ⇄ 023	Programa automático 3
		024 ⇄ 031	Programa automático 4
		032 ⇄ 039	Programa automático 5
		040 ⇄ 047	Programa automático 6
		048 ⇄ 055	Programa automático 7
		056 ⇄ 063	Programa automático 8
		064 ⇄ 071	Programa automático 9
		072 ⇄ 079	Programa automático 10
		080 ⇄ 087	Programa automático 11
		088 ⇄ 095	Programa automático 12
		096 ⇄ 103	Programa automático 13
		104 ⇄ 111	Programa automático 14
		112 ⇄ 119	Programa automático 15
		120 ⇄ 127	Programa automático 16
		128 ⇄ 135	Programa automático 17
		136 ⇄ 143	Programa automático 18
		144 ⇄ 151	Programa automático 19
		152 ⇄ 159	Programa automático 20
		160 ⇄ 167	Programa automático 21
		168 ⇄ 175	Programa automático 22
		176 ⇄ 183	Programa automático 23
		184 ⇄ 191	Programa automático 24
		192 ⇄ 199	Programa automático 25
		200 ⇄ 207	Programa automático 26
		208 ⇄ 215	Programa automático 27

Canal	Función	Valor	Porcentaje/Configuración
23	Programa Automático	216 ⇄ 223	Programa automático 28
		224 ⇄ 231	Programa automático 29
		232 ⇄ 239	Programa automático 30
		240 ⇄ 255	Programa automático 31
24	Velocidad	000 ⇄ 255	Lento a rápido
25	Control	000 ⇄ 007	Sin función
		008 ⇄ 015	Blackout durante desplazamiento lateral/inclinación (mantener 3 s)
		016 ⇄ 023	Blackout mientras se mueve la rueda de color (mantener 3 s)
		024 ⇄ 031	Blackout mientras se mueve la rueda de gobo (mantener 3 s)
		032 ⇄ 039	Deshabilitar blackout de desplazamiento lateral/inclinación (mantener 3 s)
		040 ⇄ 047	Deshabilitar blackout de rueda de color (mantener 3 s)
		048 ⇄ 055	Deshabilitar blackout de rueda de gobo (mantener 3 s)
		056 ⇄ 087	Sin función
		088 ⇄ 095	Sin función
		096 ⇄ 103	Reiniciar desplazamiento lateral
		104 ⇄ 111	Reiniciar desplazamiento inclinación
		112 ⇄ 119	Reiniciar rueda de color
		120 ⇄ 127	Reiniciar rueda de gobo
		128 ⇄ 135	Sin función
		136 ⇄ 143	Reiniciar prisma
		144 ⇄ 151	Sin función
		152 ⇄ 159	Reiniciar todo
		160 ⇄ 167	Reiniciar iris
		168 ⇄ 175	Restablecer difusor
		176 ⇄ 183	Reiniciar zoom
184 ⇄ 239	Sin función		
240 ⇄ 247	Sin función		
248 ⇄ 255	Sin función		

19-CH

Canal	Función	Valor	Porcentaje/Configuración
1	Desplazamiento Lateral	000 ⇄ 255	0-100%
2	Desplazamiento Lateral Fino	000 ⇄ 255	0-100%
3	Inclinación	000 ⇄ 255	0-100%
4	Inclinación Fina	000 ⇄ 255	0-100%
5	Velocidad Desplazamiento Lateral/Inclinación	000 ⇄ 255	0-100%
6	Atenuador	000 ⇄ 255	0-100%
7	Obturador	000 ⇄ 003	Cerrado
		004 ⇄ 007	Abierto
		008 ⇄ 076	Lento a rápido
		077 ⇄ 145	Efecto pulso de lento a rápido
		146 ⇄ 215	Efecto aleatorio de lento a rápido
		216 ⇄ 255	Abierto
8	Rueda de Color 1	000 ⇄ 007	Blanco
		008 ⇄ 015	Color 1
		016 ⇄ 023	Color 2
		024 ⇄ 031	Color 3
		032 ⇄ 039	Color 4
		040 ⇄ 047	Color 5
		048 ⇄ 055	Color 6
		056 ⇄ 063	Color 7
		064 ⇄ 071	Blanco + Color 1
		072 ⇄ 079	Color 1 + Color 2
		080 ⇄ 087	Color 2 + Color 3
		088 ⇄ 095	Color 3 + Color 4
		096 ⇄ 103	Color 4 + Color 5
		104 ⇄ 111	Color 5 + Color 6

GUÍA DE REFERENCIA RÁPIDA



ES

Canal	Función	Valor	Porcentaje/Configuración
8	Rueda de Color 1	112 ⇄ 119	Color 6 + Color 7
		120 ⇄ 127	Color 7 + Blanco
		128 ⇄ 191	Desplazamiento de color dextrógiro, lento a rápido
		192 ⇄ 255	Desplazamiento de color levógiro, lento a rápido
9	Rueda de Color 2	000 ⇄ 007	Blanco
		008 ⇄ 015	Color 1
		016 ⇄ 023	Color 2
		024 ⇄ 031	Color 3
		032 ⇄ 039	Color 4
		040 ⇄ 047	Color 5
		048 ⇄ 055	Color 6
		056 ⇄ 063	Color 7
		064 ⇄ 071	Blanco + Color 1
		072 ⇄ 079	Color 1 + Color 2
		080 ⇄ 087	Color 2 + Color 3
		088 ⇄ 095	Color 3 + Color 4
		096 ⇄ 103	Color 4 + Color 5
		104 ⇄ 111	Color 5 + Color 6
		112 ⇄ 119	Color 6 + Color 7
		120 ⇄ 127	Color 7 + Blanco
128 ⇄ 191	Desplazamiento de color dextrógiro, lento a rápido		
192 ⇄ 255	Desplazamiento de color levógiro, lento a rápido		
10	Rueda de Gobo 1	000 ⇄ 007	Abierto
		008 ⇄ 015	Gobo 1
		016 ⇄ 023	Gobo 2
		024 ⇄ 031	Gobo 3
		032 ⇄ 039	Gobo 4
		040 ⇄ 047	Gobo 5
		048 ⇄ 055	Gobo 6
		056 ⇄ 063	Gobo 7
		064 ⇄ 071	Vibración de gobo, 7, lento a rápido
		072 ⇄ 079	Vibración de gobo, 6, lento a rápido
		080 ⇄ 087	Vibración de gobo, 5, lento a rápido
		088 ⇄ 095	Vibración de gobo, 4, lento a rápido
		096 ⇄ 103	Vibración de gobo, 3, lento a rápido
		104 ⇄ 111	Vibración de gobo, 2, lento a rápido
		112 ⇄ 119	Vibración de gobo, 1, lento a rápido
		120 ⇄ 127	Abierto
128 ⇄ 191	Desplazamiento de color dextrógiro, lento a rápido		
192 ⇄ 255	Desplazamiento de color levógiro, lento a rápido		
11	Rueda de Gobo 2	000 ⇄ 063	Gobo indexado
		064 ⇄ 147	Giro dextrógiro, lento a rápido
		148 ⇄ 231	Giro levógiro, lento a rápido
		232 ⇄ 255	Efecto Boomerang, lento a rápido
12	Rueda de gobo estático (véa Gobos)	000 ⇄ 006	Abierto
		007 ⇄ 013	Gobo 1
		014 ⇄ 020	Gobo 2
		021 ⇄ 027	Gobo 3
		028 ⇄ 034	Gobo 4
		035 ⇄ 041	Gobo 5
		042 ⇄ 048	Gobo 6
		049 ⇄ 055	Gobo 7
		056 ⇄ 063	Gobo 8
		064 ⇄ 071	Vibración de gobo, 8, lento a rápido
		072 ⇄ 078	Vibración de gobo, 7, lento a rápido
		079 ⇄ 085	Vibración de gobo, 6, lento a rápido
		086 ⇄ 092	Vibración de gobo, 5, lento a rápido
		093 ⇄ 099	Vibración de gobo, 4, lento a rápido
		100 ⇄ 106	Vibración de gobo, 3, lento a rápido
		107 ⇄ 113	Vibración de gobo, 2, lento a rápido
114 ⇄ 120	Vibración de gobo, 1, lento a rápido		
121 ⇄ 127	Abierto		
128 ⇄ 191	Desplazamiento de color dextrógiro, lento a rápido		
192 ⇄ 255	Desplazamiento de color levógiro, lento a rápido		
13	Foco	000 ⇄ 255	0-100%

Canal	Función	Valor	Porcentaje/Configuración
14	Zoom	000 ⇔ 255	0-100%
15	Prisma	000 ⇔ 004 005 ⇔ 255	Sin función Insertar prisma
16	Girar Prisma	000 ⇔ 127 128 ⇔ 189 190 ⇔ 193 194 ⇔ 255	Indexado prisma Giro levógiro, rápido a lento Parada Giro dextrógiro, lento a rápido
17	Iris	000 ⇔ 063 064 ⇔ 127 128 ⇔ 191 192 ⇔ 255	Amplia para reducir Efecto Iris, lento a rápido Efecto Iris, en lento, salir rápido Efecto Iris, despacio, en rápido
18	Difusor	000 ⇔ 004 005 ⇔ 255	Sin función Efecto difusor
19	Control	000 ⇔ 007 008 ⇔ 015 016 ⇔ 023 024 ⇔ 031 032 ⇔ 039 040 ⇔ 047 048 ⇔ 055 056 ⇔ 087 088 ⇔ 095 096 ⇔ 103 104 ⇔ 111 112 ⇔ 119 120 ⇔ 127 128 ⇔ 135 136 ⇔ 143 144 ⇔ 151 152 ⇔ 159 160 ⇔ 167 168 ⇔ 175 176 ⇔ 183 184 ⇔ 239 240 ⇔ 247 248 ⇔ 255	Sin función Blackout durante desplazamiento lateral/inclinación (mantener 3 s) Blackout mientras se mueve la rueda de color (mantener 3 s) Blackout mientras se mueve la rueda de gobo (mantener 3 s) Deshabilitar blackout de desplazamiento lateral/inclinación (mantener 3 s) Deshabilitar blackout de rueda de color (mantener 3 s) Deshabilitar blackout de rueda de gobo (mantener 3 s) Sin función Sin función Reiniciar desplazamiento lateral Reiniciar desplazamiento inclinación Reiniciar rueda de color Reiniciar rueda de gobo Sin función Reiniciar prisma Sin función Reiniciar todo Reiniciar iris Restablecer difusor Reiniciar zoom Sin función Sin función Sin función

À Propos de ce Manuel

Le Manuel de Référence du Rogue R3 Spot (MR) reprend des informations de base sur cet appareil notamment en matière de connexions, montage, options de menu et valeurs DMX. Télécharger le Manuel d'Utilisation sur www.chauvetprofessional.com pour de plus amples informations.

Clause de Non-Responsabilité

Les informations et caractéristiques contenues dans ce manuel sont sujettes à changement sans préavis.

Consignes de Sécurité

- N'ouvrez PAS cet appareil. Il ne contient aucun composant susceptible d'être réparé par l'utilisateur.
- Durant les périodes de non-utilisation, pour éviter toute usure inutile et pour prolonger la durée de vie, déconnectez entièrement l'appareil en le débranchant de l'alimentation électrique ou en coupant le disjoncteur.
- Ne regardez PAS la source lumineuse lorsque l'appareil fonctionne.
- ATTENTION: le boîtier de cet appareil est brûlant lors du fonctionnement.
- Montez toujours cet appareil dans un endroit bien ventilé, à au moins, 20 pouces (50 cm) des surfaces adjacentes.
- Ne laissez AUCUNE source inflammable dans un rayon de 50 cm de l'appareil lorsque celui-ci fonctionne.
- Attention : Lorsque l'appareil est transféré d'un environnement à température extrême à un autre (par exemple d'un camion froid vers une salle de bal chaude et humide), de la condensation peut se former sur les composants électriques internes. Pour éviter de causer des dommages, laissez l'appareil s'acclimater entièrement au milieu environnant avant de le mettre sous tension.
- Utilisez TOUJOURS un câble de sécurité lorsque vous montez cet appareil en hauteur.
- N'utilisez PAS cet appareil en extérieur ou tout autre endroit où de la poussière, une chaleur excessive, de l'eau ou de l'humidité peut en affecter le fonctionnement. (IP20).
- N'utilisez PAS cet appareil si le boîtier, les lentilles ou les câbles vous semblent endommagés.
- Ne connectez PAS cet appareil ni à un gradateur ni à un rhéostat.
- Connectez UNIQUEMENT cet appareil à un circuit protégé et relié à la terre.
- Transportez/Suspendez cet appareil UNIQUEMENT par le support de montage dont il est doté.
- En cas de sérieux problèmes de fonctionnement, arrêtez le système immédiatement.
- La température ambiante maximale supportée par cet appareil est de 113 °F (45 °C). Ne le faites pas fonctionner à des températures plus élevées.

Contact

En dehors des États-Unis, du Royaume-Uni, de l'Irlande, du Mexique, et du Benelux, contactez votre fournisseur si vous avez besoin d'assistance ou de retourner votre appareil. Consultez le site [Contact Us](#) pour trouver nos coordonnées.

Ce Qui est Inclus


- Rogue R3 Spot
- Un Cordon d'Alimentation powerCON® de Neutrik®
- Fixation Omega sans matériel de montage
- Fiche de Garantie
- Manuel de Référence

Alimentation CA

Cet appareil est doté d'une alimentation universelle prenant en charge toute tension d'entrée comprise entre 100 et 240 VCA, 50/60 Hz.

Prise CA

Connexion	Câble (États-Unis)	Câble (Europe)	Couleur de la vis
Conducteur CA	Noir	Marron	Jaune/Cuivré
Neutre CA	Blanc	Bleu	Argenté
Terre CA	Vert/Jaune	Vert/Jaune	Vert

 **Durant les périodes de non-utilisation, pour éviter toute usure inutile et pour prolonger la durée de vie, déconnectez-entièrement l'appareil en le débranchant de l'alimentation électrique ou en coupant le disjoncteur.**

Connexion Électrique

Vous pouvez connecter entre eux jusqu'à 3 Rogue R3 Spot à 120 V, 5 unités à 208 V ou 6 unités à 230 V. Ne dépassez jamais cette limite. Vous pouvez vous procurer séparément des cordons d'alimentation de raccordement.

Remplacement du Fusible

1. Débranchez l'appareil de l'alimentation.
2. À l'aide d'un tournevis à tête plate, dévissez le couvercle du porte-fusible du boîtier.
3. Retirez le fusil obsolète et remplacez-le par un fusible en bon état de même type et ampérage.
4. Revissez le couvercle du porte-fusible et rebranchez l'unité.

Raccordement DMX

Le Rogue R3 Spot fonctionnera avec un jeu d'orgues DMX au moyen de connexions DMX en série standard. Une introduction au DMX est à votre disposition sur www.chauvetprofessional.com.

Connexion DMX

Le Rogue R3 Spot utilise une connexion de données DMX standard pour ses personnalités DMX. Consultez le Manuel d'Utilisation pour connecter et configurer le système DMX.

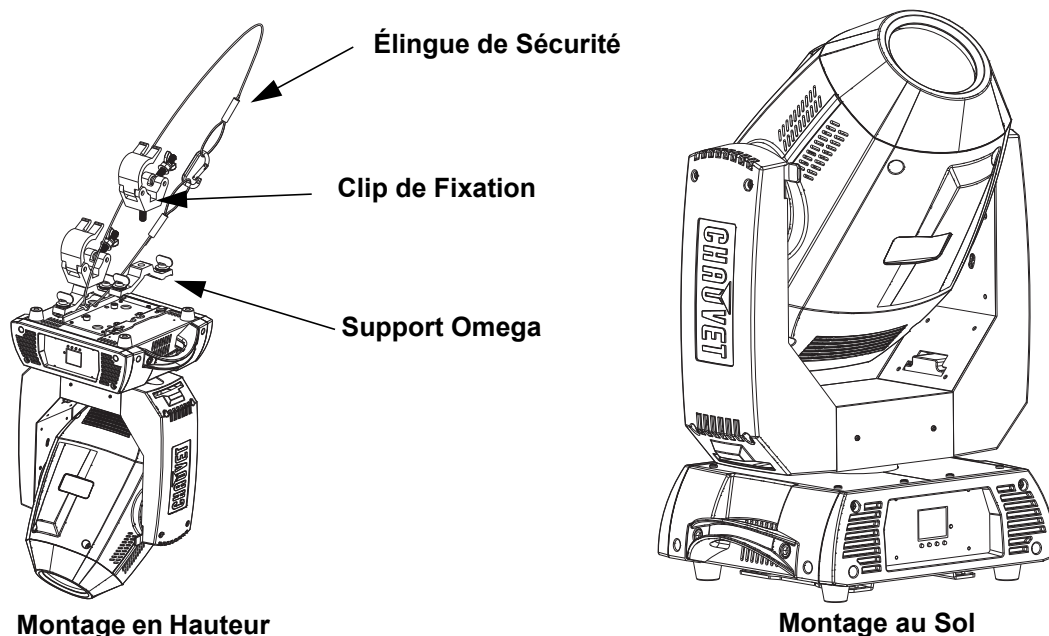
RDM (Gestion des périphériques à distance)

Le protocole RDM (gestion des périphériques à distance) est un standard pour la communication bidirectionnelle des appareils dotés de fonctions DMX dans un câblage DMX existant. Le Rogue R3 Spot supporte le protocole RDM permettant un retour d'information pour la surveillance et des changements des options de menu. Veuillez télécharger le manuel de l'utilisateur à partir du site internet www.chauvetprofessional.com pour plus de détails.

Installation

Avant de monter cet appareil, lisez et assimilez les [Consignes de Sécurité](#). Use at least one mounting point per product. Make sure the mounting clamps are capable of supporting the weight of the product. For our Chauvet line of mounting clamps, go to <http://trusst.com/productcategory/truss-clamps/>

Schéma de Montage de l'Appareil



Description du Tableau de Commandes

Bouton	Fonction
<MENU>	Permet la sortie du menu ou de la fonction en cours
<ENTER>	Permet l'affichage du menu en cours ou permet de configurer la valeur en cours dans la fonction sélectionnée
<UP>	Permet de parcourir les listes ou les menus vers le haut, dans une fonction permet d'augmenter les valeurs numériques
<DOWN>	Permet de parcourir les listes ou les menus vers le bas, dans une fonction permet de diminuer les valeurs numériques

Tableau de Menu

Niveau Principal	Niveaux de Programmation		Description	
Address	001-512		Configure l'adresse DMX de départ	
Running Mode	DMX	25	Sélectionne le mode DMX	
		19		
	Auto Test		Lance la séquence de test de l'appareil	
	Manual Test	Pan	000-255	Permet de commander manuellement tous les paramètres du panneau de commande
		Pan Fine		
		Tilt		
		Tilt Fine		
		P/T Speed		
		Dimmer		
		Dimmer Fine		
		Shutter		
		Color 1		
		Color 2		
		Gobo		
		Gobo Rot		
		Gobo 2		
		Focus		
		Zoom		
		Prism		
		Prism Rotate		
Iris				
Frost				
LED Ma. Fade				
Background				
P/T Macro				
P/T Macro Speed				
Special Function				
Setup	Pan Reverse	YES	Fonctionnement inversé du pan	
		NO	Fonctionnement normal du pan	
	Tilt Reverse	YES	Fonctionnement inversé du tilt	
		NO	Fonctionnement normal du tilt	
	Screen Rev	YES	Fait pivoter l'écran de commandes de 180°	
		NO	Vue normale de l'écran de commandes	
	Pan Angle	540	Sélectionne une plage d'angle de pan à 540°	
		360	Sélectionne une plage d'angle de pan à 360°	
		180	Sélectionne une plage d'angle de pan à 180°	
	Tilt Angle	250	Sélectionne une plage d'angle de tilt à 250°	
		180	Sélectionne une plage d'angle de tilt à 180°	
		90	Sélectionne une plage d'angle de tilt à 90°	
BL.O.P/T Move	YES	Définit la temporisation de la mise en noir général du pan ou tilt		
	NO			
BL.O.Color Move	YES	Définit la temporisation de la mise en noir général du changement de couleur		
	NO			
BL.O.Gobo Move	YES	Définit la temporisation de la mise en noir général du changement de gobo		
	NO			

Niveau Principal	Niveaux de Programmation		Description	
Setup	PWM Option	600Hz	Permet de sélectionner la fréquence de sortie MLI,	
		1200Hz		
		6000Hz		
		15KHz		
	Fans	Auto	Permet de modifier le mode de vitesse du ventilateur	
		ECO		
	Reset Function	Pan/Tilt	YES	Réinitialise les fonctions pan et tilt à leurs positions de départ
			NO	
		Prism	YES	Réinitialise toutes les fonctions de prisme à leurs positions de départ
			NO	
		Color/Frost	YES	Réinitialise toutes les fonctions de couleurs, et effet dépoli à leurs positions de départ
			NO	
		Gobo&R/Gobo2	YES	Réinitialise toutes les fonctions de gobos à leurs positions de départ
			NO	
Focus/Iris	YES	Réinitialise les fonctions iris, et mise au point à leurs positions de départ		
	NO			
All	YES	Réinitialise toutes les fonctions à leurs positions de départ		
	NO			
Factory Settings	YES	Réinitialise l'unité à sa configuration d'usine		
	NO			
Sys Info	Ver		Affiche la version logicielle	
	Running Mode		Affiche le mode actuel de fonctionnement	
	DMX Address		Affiche l'adresse DMX actuelle	
	Temperature		Displays the product's temperature in Celsius	
	Fixture Time		Affiche la température de l'unité en Celsius	
	UID		Affiche UID actuel #	

Valeurs DMX
25 CH

Canal	Function	Value	Percent/Setting
1	Pan	000 ⇔ 255	0-100%
2	Pan Précis	000 ⇔ 255	Contrôle précis (16-bit)
3	Tilt	000 ⇔ 255	0-100%
4	Tilt Précis	000 ⇔ 255	Contrôle précis (16-bit)
5	Vitesse Pan/Tilt	000 ⇔ 255	0-100%
6	Gradateur	000 ⇔ 255	0-100%
7	Gradateur Fin	000 ⇔ 255	Contrôle précis (16-bit)
8	Obturateur	000 ⇔ 003	Fermé
		004 ⇔ 007	Ouvert
		008 ⇔ 076	Lent à rapide
		077 ⇔ 145	Effet de pulsation de lent à rapide
		146 ⇔ 215	Effet aléatoire de lent à rapide
		216 ⇔ 255	Ouvert
9	Roue de Couleurs 1	000 ⇔ 007	Blanc
		008 ⇔ 015	Color 1
		016 ⇔ 023	Color 2
		024 ⇔ 031	Color 3
		032 ⇔ 039	Color 4
		040 ⇔ 047	Color 5
		048 ⇔ 055	Color 6
		056 ⇔ 063	Color 7
		064 ⇔ 071	Blanc + Color 1
		072 ⇔ 079	Color 1 + Color 2

Canal	Function	Value	Percent/Setting
9	Roue de Couleurs 1	080 ⇄ 087	Color 2 + Color 3
		088 ⇄ 095	Color 3 + Color 4
		096 ⇄ 103	Color 4 + Color 5
		104 ⇄ 111	Color 5 + Color 6
		112 ⇄ 119	Color 6 + Color 7
		120 ⇄ 127	Color 7 + Blanc
		128 ⇄ 191	Défilement dans le sens des aiguilles d'une montre, lent à rapide
		192 ⇄ 255	Défilement dans le sens inverse des aiguilles d'une montre, lent à rapide
10	Roue de Couleurs 2	000 ⇄ 007	Blanc
		008 ⇄ 015	Color 1
		016 ⇄ 023	Color 2
		024 ⇄ 031	Color 3
		032 ⇄ 039	Color 4
		040 ⇄ 047	Color 5
		048 ⇄ 055	Color 6
		056 ⇄ 063	Color 7
		064 ⇄ 071	Blanc + Color 1
		072 ⇄ 079	Color 1 + Color 2
		080 ⇄ 087	Color 2 + Color 3
		088 ⇄ 095	Color 3 + Color 4
		096 ⇄ 103	Color 4 + Color 5
		104 ⇄ 111	Color 5 + Color 6
		112 ⇄ 119	Color 6 + Color 7
		120 ⇄ 127	Color 7 + Blanc
128 ⇄ 191	Défilement dans le sens des aiguilles d'une montre, lent à rapide		
192 ⇄ 255	Défilement dans le sens inverse des aiguilles d'une montre, lent à rapide		
11	Roue de Gobo 1	000 ⇄ 007	Ouvert
		008 ⇄ 015	Gobo 1
		016 ⇄ 023	Gobo 2
		024 ⇄ 031	Gobo 3
		032 ⇄ 039	Gobo 4
		040 ⇄ 047	Gobo 5
		048 ⇄ 055	Gobo 6
		056 ⇄ 063	Gobo 7
		064 ⇄ 071	Oscillation de gobos 7, lent à rapide Ouvert
		072 ⇄ 079	Oscillation de gobos 6, lent à rapide Ouvert
		080 ⇄ 087	Oscillation de gobos 5, lent à rapide Ouvert
		088 ⇄ 095	Oscillation de gobos 4, lent à rapide Ouvert
		096 ⇄ 103	Oscillation de gobos 3, lent à rapide Ouvert
		104 ⇄ 111	Oscillation de gobos 2, lent à rapide Ouvert
		112 ⇄ 119	Oscillation de gobos 1, lent à rapide Ouvert
		120 ⇄ 127	Ouvert
128 ⇄ 191	Défilement dans le sens des aiguilles d'une montre, lent à rapide		
192 ⇄ 255	Défilement dans le sens inverse des aiguilles d'une montre, lent à rapide		
12	Roue de Gobo 2	000 ⇄ 063	Indexation de gobo
		064 ⇄ 147	Rotation dans le sens horaire, lent à rapide
		148 ⇄ 231	Rotation dans le sens antihoraire, lent à rapide
		232 ⇄ 255	Effet boomerang, lent à rapide
13	Roue de gobo statique (Voir la section Gobos)	000 ⇄ 006	Ouvert
		007 ⇄ 013	Gobo 1
		014 ⇄ 020	Gobo 2
		021 ⇄ 027	Gobo 3
		028 ⇄ 034	Gobo 4
		035 ⇄ 041	Gobo 5
		042 ⇄ 048	Gobo 6
		049 ⇄ 055	Gobo 7

Canal	Function	Value	Percent/Setting
13	Roue de gobo statique (Voir la section Gobos)	056 ⇄ 063	Gobo 8
		064 ⇄ 071	Oscillation de gobos 8, lent à rapide
		072 ⇄ 078	Oscillation de gobos 7, lent à rapide
		079 ⇄ 085	Oscillation de gobos 6, lent à rapide
		086 ⇄ 092	Oscillation de gobos 5, lent à rapide
		093 ⇄ 099	Oscillation de gobos 4, lent à rapide
		100 ⇄ 106	Oscillation de gobos 3, lent à rapide
		107 ⇄ 113	Oscillation de gobos 2, lent à rapide
		114 ⇄ 120	Oscillation de gobos 1, lent à rapide
		121 ⇄ 127	Ouvert
		128 ⇄ 191	Défilement de gobo dans le sens des aiguilles d'une montre, lent à rapide
		192 ⇄ 255	Défilement de gobo dans le sens inverse des aiguilles d'une montre, lent à rapide
14	Focus	000 ⇄ 255	0-100%
15	Fine Focus	000 ⇄ 255	0-100%
16	Auto Focus	000 ⇄ 000	Pas de fonction
		001 ⇄ 012	5 meters (Roue de gobo statique)
		013 ⇄ 024	6 meters (Roue de gobo statique)
		025 ⇄ 036	7 meters (Roue de gobo statique)
		037 ⇄ 048	8 meters (Roue de gobo statique)
		049 ⇄ 060	9 meters (Roue de gobo statique)
		061 ⇄ 072	10 meters (Roue de gobo statique)
		073 ⇄ 084	15 meters (Roue de gobo statique)
		085 ⇄ 100	20 meters (Roue de gobo statique)
		101 ⇄ 127	Auto focus (Roue de gobo statique)
		128 ⇄ 139	5 meters (Roue de gobo rotatif)
		140 ⇄ 151	6 meters (Roue de gobo rotatif)
		152 ⇄ 163	7 meters (Roue de gobo rotatif)
		164 ⇄ 175	8 meters (Roue de gobo rotatif)
176 ⇄ 187	9 meters (Roue de gobo rotatif)		
188 ⇄ 199	10 meters (Roue de gobo rotatif)		
200 ⇄ 211	15 meters (Roue de gobo rotatif)		
212 ⇄ 227	0-100%		
228 ⇄ 255	Contrôle précis (16-bit)		
17	Zoom	000 ⇄ 255	0-100%
18	Fine Zoom	000 ⇄ 255	Contrôle précis (16-bit)
19	Prism	000 ⇄ 004	Pas de fonction
		005 ⇄ 255	Insertion de prisme
20	Rotating Prism	000 ⇄ 127	Indexation de prisme
		128 ⇄ 189	Rotation dans le sens inverse des aiguilles d'une montre, rapide à lent
		190 ⇄ 193	Arrêt
		194 ⇄ 255	Rotation dans le sens des aiguilles d'une montre, lent à rapide
21	Iris	000 ⇄ 063	Large pour réduire
		064 ⇄ 127	Effet iris, lent à rapide
		128 ⇄ 191	Effet iris, au ralenti, sur rapide
		192 ⇄ 255	Effet iris, à ralentir, en rapide
22	Frost	000 ⇄ 004	Pas de fonction
		005 ⇄ 255	Effet dépoli
23	Programme Automatique	000 ⇄ 007	Programme automatique 1
		008 ⇄ 015	Programme automatique 2
		016 ⇄ 023	Programme automatique 3
		024 ⇄ 031	Programme automatique 4
		032 ⇄ 039	Programme automatique 5
		040 ⇄ 047	Programme automatique 6
		048 ⇄ 055	Programme automatique 7
		056 ⇄ 063	Programme automatique 8
		064 ⇄ 071	Programme automatique 9
		072 ⇄ 079	Programme automatique 10
		080 ⇄ 087	Programme automatique 11
		088 ⇄ 095	Programme automatique 12
		096 ⇄ 103	Programme automatique 13

Canal	Function	Value	Percent/Setting
23	Programme Automatique	104 ⇄ 111	Programme automatique 14
		112 ⇄ 119	Programme automatique 15
		120 ⇄ 127	Programme automatique 16
		128 ⇄ 135	Programme automatique 17
		136 ⇄ 143	Programme automatique 18
		144 ⇄ 151	Programme automatique 19
		152 ⇄ 159	Programme automatique 20
		160 ⇄ 167	Programme automatique 21
		168 ⇄ 175	Programme automatique 22
		176 ⇄ 183	Programme automatique 23
		184 ⇄ 191	Programme automatique 24
		192 ⇄ 199	Programme automatique 25
		200 ⇄ 207	Programme automatique 26
		208 ⇄ 215	Programme automatique 27
		216 ⇄ 223	Programme automatique 28
		224 ⇄ 231	Programme automatique 29
		232 ⇄ 239	Programme automatique 30
240 ⇄ 255	Programme automatique 31		
24	La Vitesse	000 ⇄ 255	Ralentir, en rapide
25	Commande	000 ⇄ 007	Pas de fonction
		008 ⇄ 015	Noir général en pan/tilt (3 s pause)
		016 ⇄ 023	Noir général quand roue de couleurs en mouvement (3 s pause)
		024 ⇄ 031	Noir général quand gobo en mouvement (3 s pause)
		032 ⇄ 039	Désactivation du noir général en pan/tilt (3 s pause)
		040 ⇄ 047	Désactivation du noir général de la roue de couleurs (3 s pause)
		048 ⇄ 055	Désactivation du noir général du gobo (3 s pause)
		056 ⇄ 087	Pas de fonction
		088 ⇄ 095	Pas de fonction
		096 ⇄ 103	Réinitialisation de pan
		104 ⇄ 111	Réinitialisation de tilt
		112 ⇄ 119	Réinitialisation de la roue de couleurs
		120 ⇄ 127	Réinitialisation de la roue de gobo
		128 ⇄ 135	Pas de fonction
		136 ⇄ 143	Réinitialisation de la roue de prisme
		144 ⇄ 151	Pas de fonction
		152 ⇄ 159	Tout réinitialiser
		160 ⇄ 167	Réinitialisation de la iris
		168 ⇄ 175	Réinitialisation diffusion
		176 ⇄ 183	Réinitialisation zoom
184 ⇄ 239	Pas de fonction		
240 ⇄ 247	Pas de fonction		
248 ⇄ 255	Pas de fonction		

Ch 19

Channel	Function	Value	Percent/Setting
1	Pan	000 ⇔ 255	0-100%
2	Pan Précis	000 ⇔ 255	Contrôle précis (16-bit)
3	Tilt	000 ⇔ 255	0-100%
4	Tilt Précis	000 ⇔ 255	Contrôle précis (16-bit)
5	Vitesse Pan/Tilt	000 ⇔ 255	0-100%
6	Gradateur	000 ⇔ 255	0-100%
7	Obturbateur	000 ⇔ 003	Fermé
		004 ⇔ 007	Ouvert
		008 ⇔ 076	Lent à rapide
		077 ⇔ 145	Effet de pulsation de lent à rapide
		146 ⇔ 215	Effet aléatoire de lent à rapide
		216 ⇔ 255	Ouvert
8	Roue de Couleurs 1	000 ⇔ 007	Blanc
		008 ⇔ 015	Color 1
		016 ⇔ 023	Color 2
		024 ⇔ 031	Color 3
		032 ⇔ 039	Color 4
		040 ⇔ 047	Color 5
		048 ⇔ 055	Color 6
		056 ⇔ 063	Color 7
		064 ⇔ 071	Blanc + Color 1
		072 ⇔ 079	Color 1 + Color 2
		080 ⇔ 087	Color 2 + Color 3
		088 ⇔ 095	Color 3 + Color 4
		096 ⇔ 103	Color 4 + Color 5
		104 ⇔ 111	Color 5 + Color 6
		112 ⇔ 119	Color 6 + Color 7
		120 ⇔ 127	Color 7 + Blanc
128 ⇔ 191	Défilement dans le sens des aiguilles d'une montre, lent à rapide		
192 ⇔ 255	Défilement dans le sens inverse des aiguilles d'une montre, lent à rapide		
9	Roue de Couleurs 2	000 ⇔ 007	Blanc
		008 ⇔ 015	Color 1
		016 ⇔ 023	Color 2
		024 ⇔ 031	Color 3
		032 ⇔ 039	Color 4
		040 ⇔ 047	Color 5
		048 ⇔ 055	Color 6
		056 ⇔ 063	Color 7
		064 ⇔ 071	Blanc + Color 1
		072 ⇔ 079	Color 1 + Color 2
		080 ⇔ 087	Color 2 + Color 3
		088 ⇔ 095	Color 3 + Color 4
		096 ⇔ 103	Color 4 + Color 5
		104 ⇔ 111	Color 5 + Color 6
		112 ⇔ 119	Color 6 + Color 7
		120 ⇔ 127	Color 7 + Blanc
128 ⇔ 191	Défilement dans le sens des aiguilles d'une montre, lent à rapide		
192 ⇔ 255	Défilement dans le sens inverse des aiguilles d'une montre, lent à rapide		

Channel	Function	Value	Percent/Setting
10	Roue de Gobo 1	000 ⇄ 007	Ouvert
		008 ⇄ 015	Gobo 1
		016 ⇄ 023	Gobo 2
		024 ⇄ 031	Gobo 3
		032 ⇄ 039	Gobo 4
		040 ⇄ 047	Gobo 5
		048 ⇄ 055	Gobo 6
		056 ⇄ 063	Gobo 7
		064 ⇄ 071	Oscillation de gobos 7, lent à rapide Ouvert
		072 ⇄ 079	Oscillation de gobos 6, lent à rapide Ouvert
		080 ⇄ 087	Oscillation de gobos 5, lent à rapide Ouvert
		088 ⇄ 095	Oscillation de gobos 4, lent à rapide Ouvert
		096 ⇄ 103	Oscillation de gobos 3, lent à rapide Ouvert
		104 ⇄ 111	Oscillation de gobos 2, lent à rapide Ouvert
		112 ⇄ 119	Oscillation de gobos 1, lent à rapide Ouvert
		120 ⇄ 127	Ouvert
128 ⇄ 191	Défilement dans le sens des aiguilles d'une montre, lent à rapide		
192 ⇄ 255	Défilement dans le sens inverse des aiguilles d'une montre, lent à rapide		
11	Roue de Gobo 2	000 ⇄ 063	Indexation de gobo
		064 ⇄ 147	Rotation dans le sens horaire, lent à rapide
		148 ⇄ 231	Rotation dans le sens antihoraire, lent à rapide
		232 ⇄ 255	Effet boomerang, lent à rapide
12	Roue de gobo statique (Voir la section Gobos)	000 ⇄ 006	Ouvert
		007 ⇄ 013	Gobo 1
		014 ⇄ 020	Gobo 2
		021 ⇄ 027	Gobo 3
		028 ⇄ 034	Gobo 4
		035 ⇄ 041	Gobo 5
		042 ⇄ 048	Gobo 6
		049 ⇄ 055	Gobo 7
		056 ⇄ 063	Gobo 8
		064 ⇄ 071	Oscillation de gobos 8, lent à rapide
		072 ⇄ 078	Oscillation de gobos 7, lent à rapide
		079 ⇄ 085	Oscillation de gobos 6, lent à rapide
		086 ⇄ 092	Oscillation de gobos 5, lent à rapide
		093 ⇄ 099	Oscillation de gobos 4, lent à rapide
		100 ⇄ 106	Oscillation de gobos 3, lent à rapide
		107 ⇄ 113	Oscillation de gobos 2, lent à rapide
114 ⇄ 120	Oscillation de gobos 1, lent à rapide		
121 ⇄ 127	Ouvert		
128 ⇄ 191	Défilement de gobo dans le sens des aiguilles d'une montre, lent à rapide		
192 ⇄ 255	Défilement de gobo dans le sens inverse des aiguilles d'une montre, lent à rapide		
13	Focus	000 ⇄ 255	0-100%
14	Zoom	000 ⇄ 255	0-100%
15	Prism	000 ⇄ 004	Pas de fonction
		005 ⇄ 255	Insertion de prisme
16	Rotating Prism	000 ⇄ 127	Indexation de prisme
		128 ⇄ 189	Rotation dans le sens inverse des aiguilles d'une montre, rapide à lent
		190 ⇄ 193	Arrêt
		194 ⇄ 255	Rotation dans le sens des aiguilles d'une montre, lent à rapide
17	Iris	000 ⇄ 063	Large pour réduire
		064 ⇄ 127	Effet iris, lent à rapide
		128 ⇄ 191	Effet iris, au ralenti, sur rapide
		192 ⇄ 255	Effet iris, à ralentir, en rapide
18	Frost	000 ⇄ 004	Pas de fonction
		005 ⇄ 255	Effet dépoli

Channel	Function	Value	Percent/Setting
19	Commande	000 ⇔ 007	Pas de fonction
		008 ⇔ 015	Noir général en pan/tilt (3 s pause)
		016 ⇔ 023	Noir général quand roue de couleurs en mouvement (3 s pause)
		024 ⇔ 031	Noir général quand gobo en mouvement (3 s pause)
		032 ⇔ 039	Désactivation du noir général en pan/tilt (3 s pause)
		040 ⇔ 047	Désactivation du noir général de la roue de couleurs (3 s pause)
		048 ⇔ 055	Désactivation du noir général du gobo (3 s pause)
		056 ⇔ 087	Pas de fonction
		088 ⇔ 095	Pas de fonction
		096 ⇔ 103	Réinitialisation de pan
		104 ⇔ 111	Réinitialisation de tilt
		112 ⇔ 119	Réinitialisation de la roue de couleurs
		120 ⇔ 127	Réinitialisation de la roue de gobo
		128 ⇔ 135	Pas de fonction
		136 ⇔ 143	Réinitialisation de la roue de prisme
		144 ⇔ 151	Pas de fonction
		152 ⇔ 159	Tout réinitialiser
		160 ⇔ 167	Réinitialisation de la iris
		168 ⇔ 175	Réinitialisation diffusion
		176 ⇔ 183	Réinitialisation zoom
184 ⇔ 239	Pas de fonction		
240 ⇔ 247	Pas de fonction		
248 ⇔ 255	Pas de fonction		

Over deze handleiding

De Rogue R3 Spot Beknopte Handleiding (BH) bevat basisinformatie over het product, zoals aansluiting, montage, menu-opties en DMX-waarden. Download de gebruikershandleiding op www.chauvetprofessional.com voor meer informatie.

Disclaimer

De informatie en specificaties in deze BH kunnen zonder voorafgaande kennisgeving worden gewijzigd.

Veiligheids instructies

- Open het product NIET. Het bevat geen te onderhouden onderdelen.
- Om onnodige slijtage te elimineren en zijn levensduur te verlengen, gedurende perioden wanneer het product niet wordt gebruikt, moet u het product van de stroom afsluiten door een aardlekschakelaar om te zetten of door het te ontkoppelen.
- KIJK NIET in de lichtbron wanneer het apparaat is ingeschakeld.
- LET OP: De behuizing van dit product kan heet zijn wanneer het in bedrijf is.
- Monteer dit product op een plek met voldoende ventilatie, ten minste 50 cm van de aangrenzende oppervlakken.
- Plaats geen ontvlambaar materiaal binnen 50 cm van dit product als het in gebruik is of is aangesloten op het stopcontact.
- LET OP: Bij het verplaatsen van het product uit extreme omgevingen, (bijv. koude vrachtwagen naar warme, vochtige balzaal) kan er condensvorming optreden op de elektronica van het product. Om storingen te vermijden moet het product volledig kunnen acclimatiseren aan de omgeving voordat het op stroom wordt aangesloten.
- GEBRUIK een veiligheidskabel bij het boven het hoofd plaatsen van dit product.
- Gebruik dit product NIET buitenshuis of op een locatie waar stof, grote warmte, water of vochtigheid het kunnen beïnvloeden. (IP20)
- Gebruik dit product NIET als de behuizing, lenzen of kabels beschadigd lijken.
- Sluit dit product NIET aan op een dimmer of een regelweerstand.
- Sluit dit product UITSLUITEND op een geaard en beveiligd stroomcircuit.
- Gebruik UITSLUITEND de ophang-/montagebeugel om dit product te dragen. Draag het product niet aan de bewegende kop.
- Stop in het geval van ernstige operationele problemen onmiddellijk met het gebruik.
- De maximale omgevingstemperatuur bedraagt 45 °C. Gebruik dit product niet bij hogere temperaturen.

Contact

Van buiten de VS, Verenigd Koninkrijk, Ierland, Mexico of Benelux kunt u contact opnemen met de distributeur of om ondersteuning vragen dan wel het product retourneren. Ga naar [Contact Us](#) voor contactinformatie.

Wat is inbegrepen

- Rogue R3 Spot
- Neutrik® powerCON® stroomsnoer
- Omegabeugel met bevestigingsapparatuur
- Garantiekaart
- Beknopte handleiding

AC-stroom

Dit product heeft een voeding met automatisch bereik die werkt met een ingangsspanning van 100–240 VAC, 50/60 Hz.

AC-stekker

Aansluiting	Snoer (VS)	Snoer (Europa)	Schroefkleur
AC Live	Zwart	Bruin	Geel/messing
AC Neutraal	Wit	Blauw	Zilver
AC Aarde	Groen/geel	Groen/geel	Groen



Om onnodige slijtage te elimineren en zijn levensduur te verlengen, gedurende perioden wanneer het product niet wordt gebruikt, moet u het product van de stroom afsluiten door een aardlekschakelaar om te zetten of door het te ontkoppelen.

Power Linking

U kunt tot 3 Rogue R3 Spot -producten koppelen bij 120 V, 5 producten bij 208 V of 6 producten bij 230 V. Dit aantal niet overschrijden. Power Linking-snoeren kunnen apart aangeschaft worden.

De zekering vervangen

1. Ontkoppel dit product van de stroom.
2. Gebruik een platkopschroevendraaier en schroef de kap van de zekeringshouder los van de behuizing.
3. Verwijder de doorgebrande zekering en vervang het met een werkende zekering van hetzelfde type en met dezelfde waarde.
4. Schroef de kap van de zekeringhouder terug en steek de stekker er weer in.

DMX-koppeling

De Rogue R3 Spot kan met een DMX-controller werken met een normale DMX seriële verbinding. Op www.chauvetprofessional.com is een DMX basishandleiding verkrijgbaar.

DMX-aansluiting

De Rogue R3 Spot gebruikt een normale DMX-gegevensverbinding voor zijn DMX-persoonlijkheden. Zie de gebruikershandleiding om te verbinden en te configureren voor DMX-werking.

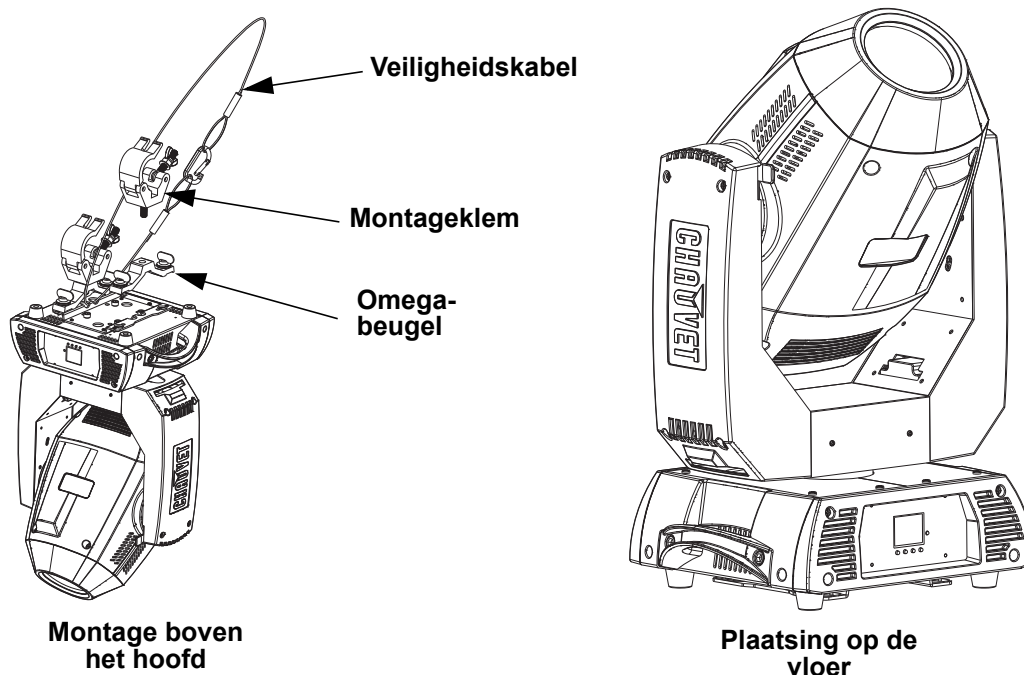
RDM (apparaatbeheer op afstand)

Remote Device Management of RDM (apparaatbeheer op afstand) is een standaard die het voor DMX-apparaten mogelijk maakt om in twee richtingen te communiceren over bestaande DMX-kabels. De Rogue R3 Spot ondersteunt het RDM-protocol dat zorgt feedback toelaat bij de bewaking van wijzigingen aan de menu map-opties van. Download de gebruikershandleiding op www.chauvetprofessional.com voor meer informatie.

Montage

Lees alvorens dit product te monteren alle [Veiligheids instructies](#). Controleer of de montageklem het gewicht van het product kan dragen. Ga voor onze Chauvet-serie montageklemmen naar <http://trusst.com/productcategory/truss-clamps/>

Montagediagram van het product



Beschrijving bedienings paneel

Toets	Functie
<MENU>	Sluit het huidige menu of functie af
<ENTER>	Activeert het huidige getoonde menu of plaatst de huidige geselecteerde waarde in de geselecteerde functie
<UP>	Navigeert omhoog via het menu of verhoogt de numerieke waarde wanneer in een functie
<DOWN>	Navigeert omlaag via het menu of verlaagt de numerieke waarde wanneer in een functie

Menu-map

Hoofdniveau	Programmeerniveaus		Beschrijving	
Address	001-512		Stelt het DMX-startadres in	
Running Mode	DMX	25	Selecteert de DMX-modus	
		19		
	Auto Test		Voert de testprocedure van het product uit	
	Manual Test	Pan	000-255	Maakt handmatige bediening mogelijk van alle instellingen van het bedieningspaneel
		Pan Fine		
		Tilt		
		Tilt Fine		
		P/T Speed		
		Dimmer		
		Dimmer Fine		
		Shutter		
		Color 1		
		Color 2		
		Gobo		
		Gobo Rot		
		Gobo 2		
		Focus		
Zoom				
Prism				
Prism Rotate				
Iris				
Frost				
LED Ma. Fade				
Background				
P/T Macro				
P/T Macro Speed				
Special Function				
Setup	Pan Reverse	YES	Omgekeerde zwenkbediening	
		NO	Normale zwenkbediening	
	Tilt Reverse	YES	Omgekeerde kantelbediening	
		NO	Normale kantelbediening	
	Screen Rev	YES	Roteert de weergave van het bedieningsscherm met 180°	
		NO	Normale weergave van het bedieningsscherm	
	Pan Angle	540	Selecteert het 540° zwenkhoekbereik	
		360	Selecteert het 360° zwenkhoekbereik	
		180	Selecteert het 180° zwenkhoekbereik	
	Tilt Angle	250	Selecteert het 250° kantelhoekbereik	
		180	Selecteert het 180° kantelhoekbereik	
		90	Selecteert het 90° kantelhoekbereik	
	BL.O.P/T Move	YES	Definieert de zwenking/kanteling van de move-in-black vertraging	
		NO		
	BL.O.Color Move	YES	Definieert de kleurverandering van de move-in-black vertraging	
NO				
BL.O.Gobo Move	YES	Definieert de goboverandering van de move-in-black vertraging		
	NO			
PWM Option	600Hz		Selecteert de PWM-uitgangsfrequentie	
	1200Hz			
	6000Hz			
	15KHz			

Hoofdniveau	Programmeerniveaus			Beschrijving
Setup	Fans	ECO		De snelheidsmodus van de ventilator wijzigen
		Auto		
	Reset Function	Pan/Tilt	YES	Reset de zwenk-/kantelfuncties naar de startpositie
			NO	
		Prism	YES	Reset alle prismafuncties naar de startpositie
			NO	
		Color/Frost	YES	Reset alle kleur- en frostfuncties naar de startpositie
			NO	
		Gobo&R/Gobo2	YES	Reset alle gobofuncties naar de startpositie
	NO			
Focus/Iris	YES	Reset de focus- en de irisfuncties naar de startpositie		
	NO			
All	YES	Reset alle functies naar de startpositie		
	NO			
Factory Settings	YES		Zet het product terug naar de oorspronkelijke fabrieksinstellingen	
	NO			
Sys Info	Ver			Toont de softwareversie
	Running Mode			Toont de huidige bedrijfsmodus
	DMX Address			Toont het huidige DMX-adres
	Temperature			Toont de producttemperatuur in graden Celsius
	UID			Geeft de huidige UID #

DMX-waarden
CH 25

Channel	Function	Value	Percent/Setting
1	Zwenken	000 ⇄ 255	0-100%
2	Fijn zwenken	000 ⇄ 255	0-100%
3	Kantelen	000 ⇄ 255	0-100%
4	Fijn kantelen	000 ⇄ 255	0-100%
5	Zwenk-/kantelsnelheid	000 ⇄ 255	0-100%
6	Dimmer	000 ⇄ 255	0-100%
7	Fijne dimmer	000 ⇄ 255	0-100%
8	Sluiter	000 ⇄ 003	Gesloten
		004 ⇄ 007	Open
		008 ⇄ 076	Langzaam tot snel
		077 ⇄ 145	Pulseffect van langzaam tot snel
		146 ⇄ 215	Willekeurig effect van langzaam tot snel
		216 ⇄ 255	Open
9	Kleurenwiel 1	000 ⇄ 007	Wit
		008 ⇄ 015	Color 1
		016 ⇄ 023	Color 2
		024 ⇄ 031	Color 3
		032 ⇄ 039	Color 4
		040 ⇄ 047	Color 5
		048 ⇄ 055	Color 6
		056 ⇄ 063	Color 7
		064 ⇄ 071	Wit + Color 1
		072 ⇄ 079	Color 1 + Color 2
		080 ⇄ 087	Color 2 + Color 3
		088 ⇄ 095	Color 3 + Color 4
		096 ⇄ 103	Color 4 + Color 5
		104 ⇄ 111	Color 5 + Color 6
		112 ⇄ 119	Color 6 + Color 7
		120 ⇄ 127	Color 7 + Wit
128 ⇄ 191	Kleurwijziging met de klok mee, langzaam tot snel		
192 ⇄ 255	Kleurwijziging tegen de klok in, langzaam tot snel		

Channel	Function	Value	Percent/Setting
10	Kleurenwiel 2	000 ⇄ 007	Wit
		008 ⇄ 015	Color 1
		016 ⇄ 023	Color 2
		024 ⇄ 031	Color 3
		032 ⇄ 039	Color 4
		040 ⇄ 047	Color 5
		048 ⇄ 055	Color 6
		056 ⇄ 063	Color 7
		064 ⇄ 071	Wit + Color 1
		072 ⇄ 079	Color 1 + Color 2
		080 ⇄ 087	Color 2 + Color 3
		088 ⇄ 095	Color 3 + Color 4
		096 ⇄ 103	Color 4 + Color 5
		104 ⇄ 111	Color 5 + Color 6
		112 ⇄ 119	Color 6 + Color 7
		120 ⇄ 127	Color 7 + Wit
128 ⇄ 191	Kleurwijziging met de klok mee, langzaam tot snel		
192 ⇄ 255	Kleurwijziging tegen de klok in, langzaam tot snel		
11	Gobo roterend 1	000 ⇄ 007	Open
		008 ⇄ 015	Gobo 1
		016 ⇄ 023	Gobo 2
		024 ⇄ 031	Gobo 3
		032 ⇄ 039	Gobo 4
		040 ⇄ 047	Gobo 5
		048 ⇄ 055	Gobo 6
		056 ⇄ 063	Gobo 7
		064 ⇄ 071	Gobo 7 schudden, langzaam tot snel
		072 ⇄ 079	Gobo 6 schudden, langzaam tot snel
		080 ⇄ 087	Gobo 5 schudden, langzaam tot snel
		088 ⇄ 095	Gobo 4 schudden, langzaam tot snel
		096 ⇄ 103	Gobo 3 schudden, langzaam tot snel
		104 ⇄ 111	Gobo 2 schudden, langzaam tot snel
		112 ⇄ 119	Gobo 1 schudden, langzaam tot snel
		120 ⇄ 127	Open
128 ⇄ 191	Gobowijziging met de klok mee, langzaam tot snel		
192 ⇄ 255	Gobowijziging tegen de klok in, langzaam tot snel		
12	Gobo roterend 2	000 ⇄ 063	Gobo index
		064 ⇄ 147	Rotatie met de klok mee, langzaam tot snel
		148 ⇄ 231	Rotatie tegen de klok in, langzaam tot snel
		232 ⇄ 255	Boemerangeffect, langzaam tot snel
13	Statisch lichtscherm-wiel (zie Gobos)	000 ⇄ 006	Open
		007 ⇄ 013	Gobo 1
		014 ⇄ 020	Gobo 2
		021 ⇄ 027	Gobo 3
		028 ⇄ 034	Gobo 4
		035 ⇄ 041	Gobo 5
		042 ⇄ 048	Gobo 6
		049 ⇄ 055	Gobo 7
		056 ⇄ 063	Gobo 8
		064 ⇄ 071	Gobo 8 schudden, langzaam tot snel
		072 ⇄ 078	Gobo 7 schudden, langzaam tot snel
		079 ⇄ 085	Gobo 6 schudden, langzaam tot snel
		086 ⇄ 092	Gobo 5 schudden, langzaam tot snel
		093 ⇄ 099	Gobo 4 schudden, langzaam tot snel
		100 ⇄ 106	Gobo 3 schudden, langzaam tot snel
		107 ⇄ 113	Gobo 2 schudden, langzaam tot snel
114 ⇄ 120	Gobo 1 schudden, langzaam tot snel		
121 ⇄ 127	Open		
128 ⇄ 191	Gobowijziging met de klok mee, langzaam tot snel		
192 ⇄ 255	Gobowijziging tegen de klok in, langzaam tot snel		
14	Focus	000 ⇄ 255	0-100%
15	Fine Focus	000 ⇄ 255	0-100%

Channel	Function	Value	Percent/Setting
16	Autom. Fokus	000 ⇔ 000	Geen Functie
		001 ⇔ 012	5 meter (Statisches Goborad)
		013 ⇔ 024	6 meter (Statisches Goborad)
		025 ⇔ 036	7 meter (Statisches Goborad)
		037 ⇔ 048	8 meter (Statisches Goborad)
		049 ⇔ 060	9 meter (Statisches Goborad)
		061 ⇔ 072	10 meter (Statisches Goborad)
		073 ⇔ 084	15 meter (Statisches Goborad)
		085 ⇔ 100	20 meter (Statisches Goborad)
		101 ⇔ 127	Autom. Fokus (Statisches Goborad)
		128 ⇔ 139	5 meter (Rotierendes Goborad)
		140 ⇔ 151	6 meter (Rotierendes Goborad)
		152 ⇔ 163	7 meter (Rotierendes Goborad)
		164 ⇔ 175	8 meter (Rotierendes Goborad)
		176 ⇔ 187	9 meter (Rotierendes Goborad)
188 ⇔ 199	10 meter (Rotierendes Goborad)		
200 ⇔ 211	15 meters (Rotierendes Goborad)		
17	Zwenken	000 ⇔ 255	0-100%
18	Fijn zwenken	000 ⇔ 255	0-100%
19	Zoom	000 ⇔ 255	0-100%
20	Fijn Zoom	000 ⇔ 255	Fijne focus (16-bit)
19	Prisma	000 ⇔ 004	Geen Functie
		005 ⇔ 255	Prismaeffect
20	Rotating Prism	000 ⇔ 127	Roterende positie
		128 ⇔ 189	Roteren met de klok mee, langzaam tot snel
		190 ⇔ 193	Stop
		194 ⇔ 255	Roteren tegen de klok in, langzaam tot snel
21	Iris	000 ⇔ 063	Groot tot klein
		064 ⇔ 127	Auto verandering, langzaam tot snel
		128 ⇔ 191	Langzaam inzoomen, snel uitzoomen (langzaam tot snel)
		192 ⇔ 255	Langzaam uitzoomen, snel inzoomen (langzaam tot snel)
22	Frost	000 ⇔ 004	Geen Functie
		005 ⇔ 255	0-100%
23	Automatisch programma	000 ⇔ 007	Automatisch programma 1
		008 ⇔ 015	Automatisch programma 2
		016 ⇔ 023	Automatisch programma 3
		024 ⇔ 031	Automatisch programma 4
		032 ⇔ 039	Automatisch programma 5
		040 ⇔ 047	Automatisch programma 6
		048 ⇔ 055	Automatisch programma 7
		056 ⇔ 063	Automatisch programma 8
		064 ⇔ 071	Automatisch programma 9
		072 ⇔ 079	Automatisch programma 10
		080 ⇔ 087	Automatisch programma 11
		088 ⇔ 095	Automatisch programma 12
		096 ⇔ 103	Automatisch programma 13
		104 ⇔ 111	Automatisch programma 14
		112 ⇔ 119	Automatisch programma 15
		120 ⇔ 127	Automatisch programma 16
		128 ⇔ 135	Automatisch programma 17
		136 ⇔ 143	Automatisch programma 18
		144 ⇔ 151	Automatisch programma 19
		152 ⇔ 159	Automatisch programma 20
		160 ⇔ 167	Automatisch programma 21
		168 ⇔ 175	Automatisch programma 22
		176 ⇔ 183	Automatisch programma 23
		184 ⇔ 191	Automatisch programma 24
		192 ⇔ 199	Automatisch programma 25
		200 ⇔ 207	Automatisch programma 26
		208 ⇔ 215	Automatisch programma 27
		216 ⇔ 223	Automatisch programma 28
		224 ⇔ 231	Automatisch programma 29
		232 ⇔ 239	Automatisch programma 30
		240 ⇔ 255	Automatisch programma 31

Channel	Function	Value	Percent/Setting
24	Automatische Snelheid	000 ⇄ 255	Langzaam tot snel
		000 ⇄ 007	Geen Functie
25	Regeling	008 ⇄ 015	Verduistering tijdens zwenken/kantelen (3 sec vasthouden)
		016 ⇄ 023	Verduistering van kleurwielbeweging (3 sec vasthouden)
		024 ⇄ 031	Verduistering van beweging van gobowielen (3 sec vasthouden)
		032 ⇄ 039	Uitschakelen zwenk-/kantelverduistering (3 sec vasthouden)
		040 ⇄ 047	Uitschakelen kleurwielverduistering (3 sec vasthouden)
		048 ⇄ 055	Uitschakelen gobowielverduistering (3 sec vasthouden)
		056 ⇄ 087	Geen Functie
		088 ⇄ 095	Geen Functie
		096 ⇄ 103	Zwenkreset
		104 ⇄ 111	Kantelreset
		112 ⇄ 119	Kleurwiel reset
		120 ⇄ 127	Gobowiel reset
		128 ⇄ 135	Geen Functie
		136 ⇄ 143	Prismareset
		144 ⇄ 151	Geen Functie
		152 ⇄ 159	Reset alle
		160 ⇄ 167	Iris reset
		168 ⇄ 175	Resetten frost
		176 ⇄ 183	Zoomherstel
		184 ⇄ 239	Geen functie
240 ⇄ 247	Geen functie		
248 ⇄ 255	Geen functie		

19 CH

Channel	Function	Value	Percent/Setting
1	Zwenken	000 ⇔ 255	0-100%
2	Fijn zwenken	000 ⇔ 255	0-100%
3	Kantelen	000 ⇔ 255	0-100%
4	Fijn kantelen	000 ⇔ 255	0-100%
5	Zwenk-/kantelsnelheid	000 ⇔ 255	0-100%
6	Dimmer	000 ⇔ 255	0-100%
7	Sluiter	000 ⇔ 003	Gesloten
		004 ⇔ 007	Open
		008 ⇔ 076	Langzaam tot snel
		077 ⇔ 145	Pulseffect van langzaam tot snel
		146 ⇔ 215	Willekeurig effect van langzaam tot snel
		216 ⇔ 255	Open
8	Kleurenwiel 1	000 ⇔ 007	Wit
		008 ⇔ 015	Color 1
		016 ⇔ 023	Color 2
		024 ⇔ 031	Color 3
		032 ⇔ 039	Color 4
		040 ⇔ 047	Color 5
		048 ⇔ 055	Color 6
		056 ⇔ 063	Color 7
		064 ⇔ 071	Wit + Color 1
		072 ⇔ 079	Color 1 + Color 2
		080 ⇔ 087	Color 2 + Color 3
		088 ⇔ 095	Color 3 + Color 4
		096 ⇔ 103	Color 4 + Color 5
		104 ⇔ 111	Color 5 + Color 6
		112 ⇔ 119	Color 6 + Color 7
		120 ⇔ 127	Color 7 + Wit
128 ⇔ 191	Kleurwijziging met de klok mee, langzaam tot snel		
192 ⇔ 255	Kleurwijziging tegen de klok in, langzaam tot snel		
9	Kleurenwiel 2	000 ⇔ 007	Wit
		008 ⇔ 015	Color 1
		016 ⇔ 023	Color 2
		024 ⇔ 031	Color 3
		032 ⇔ 039	Color 4
		040 ⇔ 047	Color 5
		048 ⇔ 055	Color 6
		056 ⇔ 063	Color 7
		064 ⇔ 071	Wit + Color 1
		072 ⇔ 079	Color 1 + Color 2
		080 ⇔ 087	Color 2 + Color 3
		088 ⇔ 095	Color 3 + Color 4
		096 ⇔ 103	Color 4 + Color 5
		104 ⇔ 111	Color 5 + Color 6
		112 ⇔ 119	Color 6 + Color 7
		120 ⇔ 127	Color 7 + Wit
128 ⇔ 191	Kleurwijziging met de klok mee, langzaam tot snel		
192 ⇔ 255	Kleurwijziging tegen de klok in, langzaam tot snel		

Channel	Function	Value	Percent/Setting
10	Gobo roterend 1	000 ⇄ 007	Open
		008 ⇄ 015	Gobo 1
		016 ⇄ 023	Gobo 2
		024 ⇄ 031	Gobo 3
		032 ⇄ 039	Gobo 4
		040 ⇄ 047	Gobo 5
		048 ⇄ 055	Gobo 6
		056 ⇄ 063	Gobo 7
		064 ⇄ 071	Gobo 7 schudden, langzaam tot snel
		072 ⇄ 079	Gobo 6 schudden, langzaam tot snel
		080 ⇄ 087	Gobo 5 schudden, langzaam tot snel
		088 ⇄ 095	Gobo 4 schudden, langzaam tot snel
		096 ⇄ 103	Gobo 3 schudden, langzaam tot snel
		104 ⇄ 111	Gobo 2 schudden, langzaam tot snel
		112 ⇄ 119	Gobo 1 schudden, langzaam tot snel
		120 ⇄ 127	Open
		128 ⇄ 191	Gobowijziging met de klok mee, langzaam tot snel
192 ⇄ 255	Gobowijziging tegen de klok in, langzaam tot snel		
11	Gobo roterend 2	000 ⇄ 063	Gobo index
		064 ⇄ 147	Rotatie met de klok mee, langzaam tot snel
		148 ⇄ 231	Rotatie tegen de klok in, langzaam tot snel
		232 ⇄ 255	Boemerangeffect, langzaam tot snel
12	Statisch lichtscherm-wiel (zie Gobos)	000 ⇄ 006	Open
		007 ⇄ 013	Gobo 1
		014 ⇄ 020	Gobo 2
		021 ⇄ 027	Gobo 3
		028 ⇄ 034	Gobo 4
		035 ⇄ 041	Gobo 5
		042 ⇄ 048	Gobo 6
		049 ⇄ 055	Gobo 7
		056 ⇄ 063	Gobo 8
		064 ⇄ 071	Gobo 8 schudden, langzaam tot snel
		072 ⇄ 078	Gobo 7 schudden, langzaam tot snel
		079 ⇄ 085	Gobo 6 schudden, langzaam tot snel
		086 ⇄ 092	Gobo 5 schudden, langzaam tot snel
		093 ⇄ 099	Gobo 4 schudden, langzaam tot snel
		100 ⇄ 106	Gobo 3 schudden, langzaam tot snel
		107 ⇄ 113	Gobo 2 schudden, langzaam tot snel
		114 ⇄ 120	Gobo 1 schudden, langzaam tot snel
121 ⇄ 127	Open		
128 ⇄ 191	Gobowijziging met de klok mee, langzaam tot snel		
192 ⇄ 255	Gobowijziging tegen de klok in, langzaam tot snel		
13	Focus	000 ⇄ 255	0-100%
14	Zoom	000 ⇄ 255	0-100%
15	Prisma	000 ⇄ 004	Geen Functie
		005 ⇄ 255	Prismaeffect
16	Rotating Prism	000 ⇄ 127	Roterende positie
		128 ⇄ 189	Roteren met de klok mee, langzaam tot snel
		190 ⇄ 193	Stop
		194 ⇄ 255	Roteren tegen de klok in, langzaam tot snel
17	Iris	000 ⇄ 063	Groot tot klein
		064 ⇄ 127	Auto verandering, langzaam tot snel
		128 ⇄ 191	Langzaam inzoomen, snel uitzoomen (langzaam tot snel)
		192 ⇄ 255	Langzaam uitzoomen, snel inzoomen (langzaam tot snel)
18	Frost	000 ⇄ 004	Geen Functie
		005 ⇄ 255	0-100%

Channel	Function	Value	Percent/Setting
19	Regeling	000 ⇔ 007	Geen Functie
		008 ⇔ 015	Verduistering tijdens zwenken/kantelen (3 sec vasthouden)
		016 ⇔ 023	Verduistering van kleurwielbeweging (3 sec vasthouden)
		024 ⇔ 031	Verduistering van beweging van gobowielen (3 sec vasthouden)
		032 ⇔ 039	Uitschakelen zwenk-/kantelverduistering (3 sec vasthouden)
		040 ⇔ 047	Uitschakelen kleurwielverduistering (3 sec vasthouden)
		048 ⇔ 055	Uitschakelen gobowielverduistering (3 sec vasthouden)
		056 ⇔ 087	Geen Functie
		088 ⇔ 095	Geen Functie
		096 ⇔ 103	Zwenkreset
		104 ⇔ 111	Kantelreset
		112 ⇔ 119	Kleurwiel reset
		120 ⇔ 127	Gobowiel reset
		128 ⇔ 135	Geen Functie
		136 ⇔ 143	Prismareset
		144 ⇔ 151	Geen Functie
		152 ⇔ 159	Reset alle
		160 ⇔ 167	Iris reset
		168 ⇔ 175	Resetten frost
		176 ⇔ 183	Zoomherstel
184 ⇔ 239	Geen functie		
240 ⇔ 247	Geen functie		
248 ⇔ 255	Geen functie		

Contact Us

World Headquarters	
General Information	Technical Support
Address: 5200 NW 108th Ave. Sunrise, FL 33351 Voice: (954) 577-4455 Fax: (954) 929-5560 Toll Free: (800) 762-1084	Voice: (844) 393-7575 Fax: (954) 756-8015 Email: chauvetcs@chauvetlighting.com
	Website www.chauvetlighting.com
EUROPE	
General Information	Technical Support
Address: Stokstraat 18 9770 Kruishoutem Belgium Voice: +32 9 388 93 97	Email: eutech@chauvetlighting.eu
	Website www.chauvetlighting.eu
United Kingdom	
General Information	Technical Support
Address: Unit 1C Brookhill Road Industrial Estate Pinxton, Nottingham, UK NG16 6NT Voice: +44 (0) 1773 511115 Fax: +44 (0) 1773 511110	Email: uktech@chauvetlighting.com
	Website www.chauvetlighting.co.uk
MEXICO	
General Information	Technical Support
Address: Av. de las Partidas 34 - 3B, Zona Industrial Lerma (Entrance by Calle 2) Lerma, Mexico C.P. 52000 Voice: +52 (728) 690-2010	Email: servicio@chauvet.com.mx
	Website www.chauvet.com.mx

Visit the applicable website above to verify our contact information and instructions to request support. Outside the U.S., United Kingdom, Ireland, Mexico or Benelux, contact the dealer of record..



RoHS

