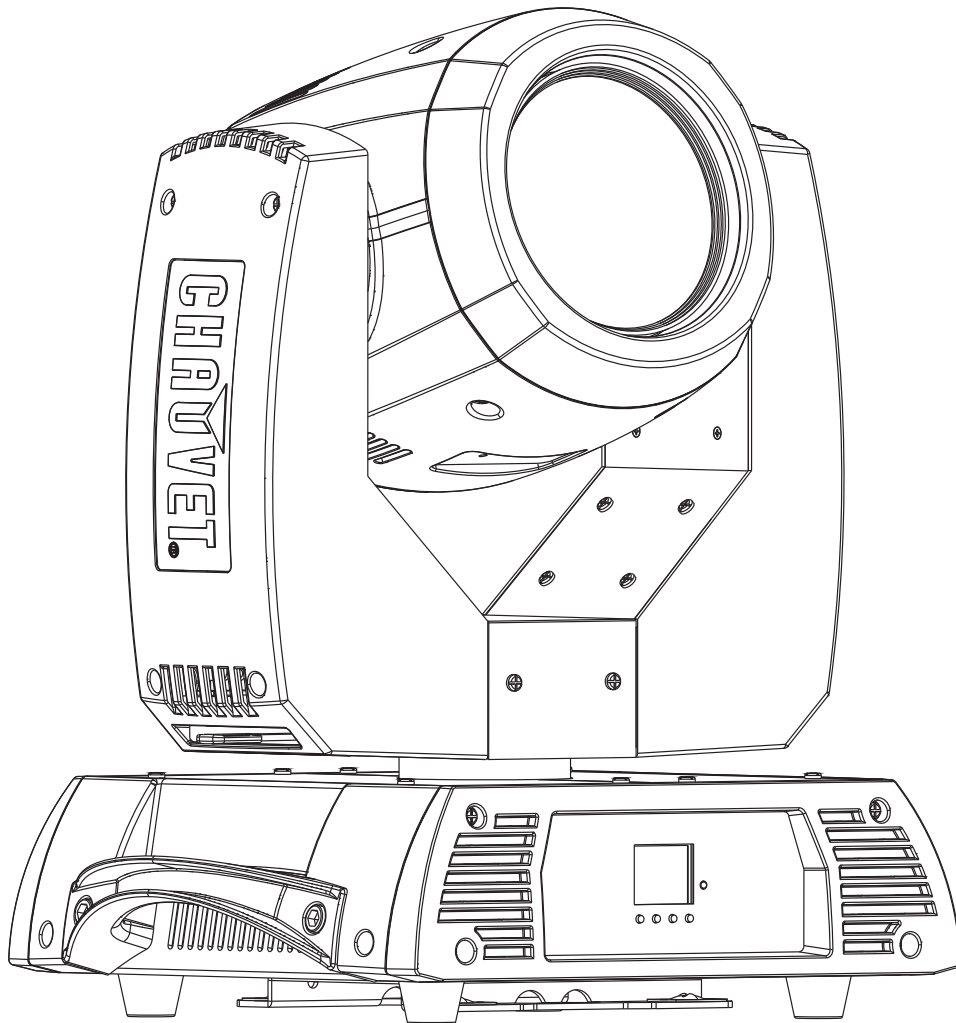


# ROGUE



## User Manual



**CHAUVET**  
PROFESSIONAL

## EDITION NOTES

The Rogue R2X Beam User Manual includes a description, safety precautions, installation, programming, operation and maintenance instructions for the Rogue R2X Beam.

### Trademarks

CHAUVET, the Chauvet logo and Rogue R2X Beam are registered trademarks or trademarks of Chauvet & Sons, LLC (d/b/a Chauvet and Chauvet Lighting) in the United States and other countries. Other company and product names and logos referred to herein may be trademarks of their respective companies.

### Copyright Notice

The works of authorship contained in this manual, including, but not limited to, all design, text and images are owned by Chauvet.

© **Copyright 2018 Chauvet & Sons, LLC. All rights reserved.**

Electronically published by Chauvet in the United States of America.

### Manual Use

Chauvet authorizes its customers to download and print this manual for professional information purposes only. Chauvet expressly prohibits the usage, copy, storage, distribution, modification, or printing of this manual or its content for any other purpose without written consent from Chauvet.

### Document Printing

For best results, print this document in color, on letter size paper (8.5 x 11 in), double-sided. If using A4 paper (210 x 297 mm), configure the printer to scale the content accordingly.

### Intended Audience

Any person installing, operating, and/or maintaining this product should completely read through the guide that shipped with the product, as well as this manual, before installing, operating, or maintaining this product.

### Disclaimer

Chauvet believes that the information contained in this manual is accurate in all respects. However, Chauvet assumes no responsibility and specifically disclaims any and all liability to any party for any loss, damage or disruption caused by any errors or omissions in this document, whether such errors or omissions result from negligence, accident or any other cause. Chauvet reserves the right to revise the content of this document without any obligation to notify any person or company of such revision, however, Chauvet has no obligation to make, and does not commit to make, any such revisions. Download the latest version from [www.chauvetprofessional.com](http://www.chauvetprofessional.com)

### Document Revision

This Rogue R2X Beam User Manual is the 1<sup>st</sup> edition of this document. Go to [www.chauvetprofessional.com](http://www.chauvetprofessional.com) for the latest version.

TABLE OF CONTENTS

<b>1. Before You Begin .....</b>	<b>3</b>
What Is Included .....	3
Claims .....	3
Manual Conventions .....	3
Symbols .....	3
Safety Notes.....	4
Personal Safety.....	4
Mounting and Rigging .....	4
Power and Wiring.....	4
Operation .....	4
Expected LED Lifespan.....	4
<b>2. Introduction .....</b>	<b>5</b>
Description .....	5
Features.....	5
Product Overview.....	6
Product Dimensions.....	7
<b>3. Setup .....</b>	<b>8</b>
AC Power.....	8
AC Plug.....	8
Fuse Replacement.....	8
DMX Linking.....	8
DMX Personalities.....	8
Remote Device Management (RDM).....	8
Gobo Wheel .....	9
Color Wheel .....	10
Lamp Replacement.....	11
Procedure.....	11
Increasing the Lamp's Life .....	13
Mounting .....	14
Orientation.....	14
Rigging .....	14
Procedure.....	14
<b>4. Operation .....</b>	<b>15</b>
Control Panel Operation.....	15
Control Options .....	15
Programming.....	15
Control Panel Lock.....	15
Passcode .....	15
Menu Map .....	16
Address.....	18
Run Mode.....	18
DMX Personality .....	18
Auto Test.....	18
Manual Test .....	18
Setup.....	18
Pan Reverse .....	18
Tilt Reverse .....	18
Pan Angle.....	18
Tilt Angle .....	19
BL.O.P/T Move.....	19
BL.O.Color Move.....	19

BL.O.Gobo Move .....	19
Lamp controls.....	19
Maintenance Timer .....	20
Reset Function .....	20
Factory Reset Function .....	21
<b>System Information .....</b>	<b>21</b>
<b>Offset Mode.....</b>	<b>21</b>
Pan.....	21
Tilt .....	21
Shutter1.....	21
Shutter2.....	21
Color.....	21
Gobo .....	21
Prism 1 .....	21
Rotating Prism 1.....	21
Prism 2 .....	21
Rotating Prism 2.....	21
Focus .....	22
Frost.....	22
Mac 4 .....	22
Mac 5 .....	22
Mac 6 .....	22
<b>DMX Values .....</b>	<b>22</b>
19CH.....	22
<b>5. Technical Information .....</b>	<b>28</b>
Product Maintenance .....	28
<b>6. Technical Specifications .....</b>	<b>29</b>
Photometrics Chart .....	30
<b>7. Returns.....</b>	<b>31</b>
<b>8. Contact Us .....</b>	<b>32</b>

# 1. BEFORE YOU BEGIN

## What Is Included

- Rogue R2X Beam
- Neutrik powerCON power cord
- 2 Omega brackets with mounting hardware
- Quick Reference Guide

## Claims

Carefully unpack the product immediately and check the container to make sure all the parts are in the package and are in good condition.






If the box or the contents (the product and included accessories) appear damaged from shipping, or show signs of mishandling, notify the carrier immediately, not Chauvet. Failure to report damage to the carrier immediately may invalidate your claim. In addition, keep the box and contents for inspection.

For other issues, such as missing components or parts, damage not related to shipping, or concealed damage, file a claim with Chauvet within 7 days of delivery.

## Manual Conventions

Convention	Meaning
1–512	A range of values
50/60	A set of values of which only one can be chosen
<SET>	A button on the product’s control panel
Settings	A product function or a menu option

## Symbols

Symbol	Meaning
	Electrical warning. Not following these instructions may cause electrical damage to the product, accessories, or the user.
	Critical installation, configuration, or operation information. Not following these instructions may make the product not work, cause damage to the product, or cause harm to the operator.
	Important installation or configuration information. The product may not function correctly if this information is not used.
	Useful information.
	The term “DMX” used throughout this manual refers to the USITT DMX512-A digital data transmission protocol.

## Safety Notes

Read all the following safety notes before working with this product. These notes contain important information about the installation, usage, and maintenance of this product.



**This product contains no user-serviceable parts. Any reference to servicing in this User Manual will only apply to properly trained, certified technicians. Do not open the housing or attempt any repairs.**



**All applicable local codes and regulations apply to proper installation of this product.**

## Personal Safety

- Avoid direct eye exposure to the light source while the product is on.
- Always disconnect the product from the power source before cleaning or replacing the fuse.
- Always connect the product to a grounded circuit to avoid the risk of electrocution.
- Do not touch the product's housing when operating because it may be very hot.

## Mounting and Rigging

- This product is for indoor use only! To prevent risk of fire or shock, do not expose this product to rain or moisture. (IP20)
- CAUTION: When transferring product from extreme temperature environments, (e.g., cold truck to warm, humid ballroom) condensation may form on the internal electronics of the product. To avoid causing a failure, allow product to fully acclimate to the surrounding environment before connecting it to power.
- Always ask for help when mounting this product to avoid personal injuries or damage to the product
- Mount this product in a location with adequate ventilation, at least 20 in (50 cm) from adjacent surfaces.
- Make sure there are no flammable materials close to the product when operating.
- When hanging this product, always secure to a fastening device using a safety cable.

## Power and Wiring

- Always make sure you are connecting the product to the proper voltage in accordance with the specifications in this manual or on the product's specification label.
- Never connect the product to a dimmer pack or rheostat.
- Never disconnect this product by pulling or tugging on the power cable.

## Operation

- Do not operate this product if there is damage on the housing, lenses, or cables. Have the damaged parts replaced by an authorized technician at once.
- To eliminate unnecessary wear and improve its lifespan, during periods of non-use completely disconnect the product from power via breaker or by unplugging it.
- Do not cover the ventilation slots when operating to avoid internal overheating.
- Do not aim this product toward the Sun. The lenses could concentrate the solar energy and cause internal overheating.
- The maximum ambient temperature is 113 °F (45 °C). Do not operate the product at higher temperatures.
- In the event of a serious operation problem, stop using this product immediately!



**If your Chauvet product requires service, contact Chauvet Technical Support.**

## Expected LED Lifespan

LEDs gradually decline in brightness over time, primarily because of heat. LEDs that are arranged in clusters experience higher operating temperatures than single LEDs. For this reason, operating clustered LEDs at their fullest intensity significantly reduces the LEDs' lifespan. Under normal conditions, this lifespan is 40,000 to 50,000 hours. If extending this lifespan is vital, lower the operating temperature by improving the ventilation around the product, thus reducing the ambient temperature. In addition, limiting the overall projection intensity may extend the LEDs' lifespan.

## 2. INTRODUCTION

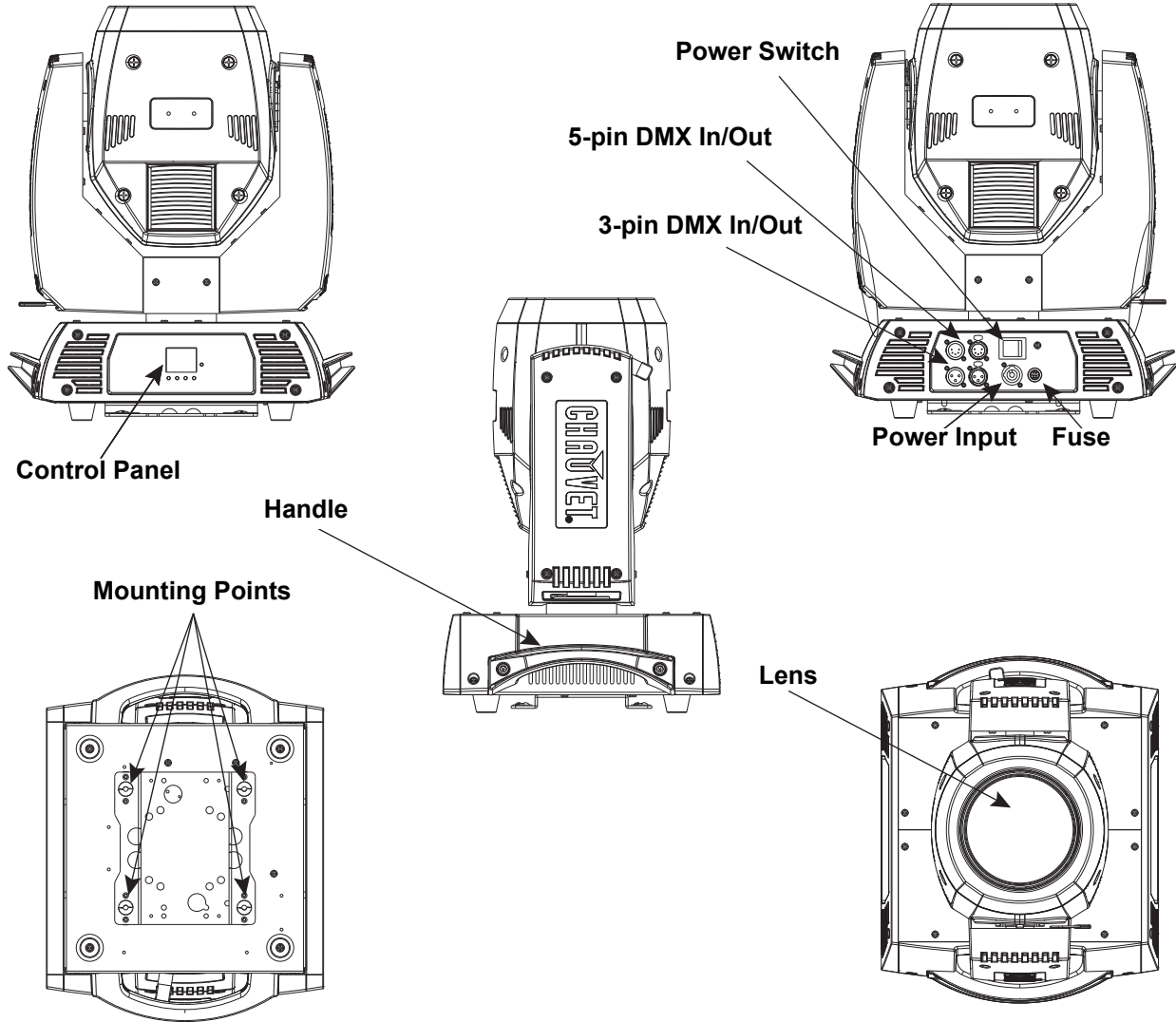
### Description

The Rogue R2X Beam is the light cannon of the Rogue series, boasting an intense 134,000 lux at 15 meters from its 231 Watt Osram Sirius lamp. This fully-featured beam can be tightened down to 1 degree for extremely focused aerial effects, and comes with 14 fixed colors in a fully scrollable, variable speed color wheel, which also provides split-colors perfectly. Additionally, the unit features individually controllable and over-lapping 8 and 5-facet prisms for an endless supply of creative and dynamic beam looks. Frost and beam flattening options ensure even light distribution and the unit is equipped with RDM and DMX.

### Features

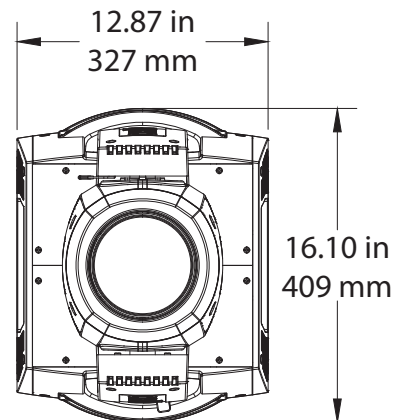
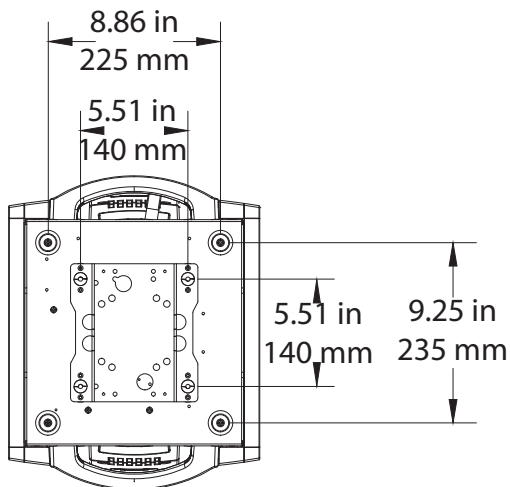
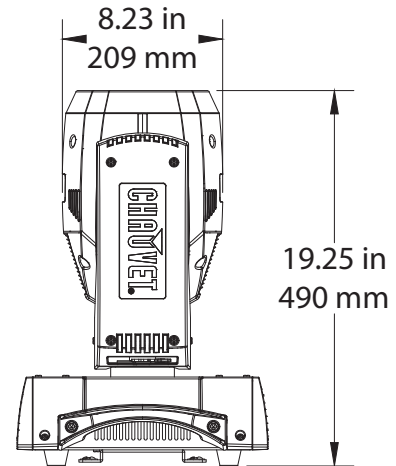
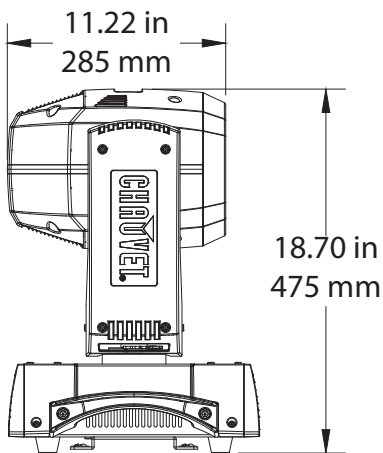
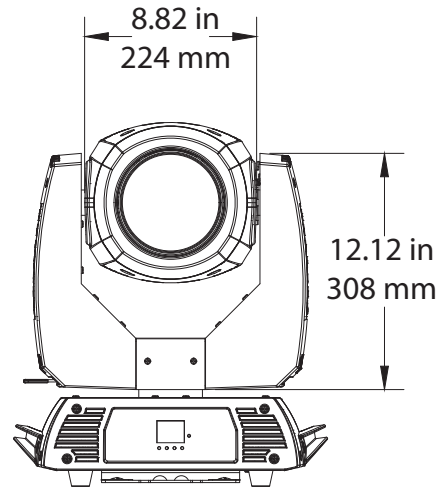
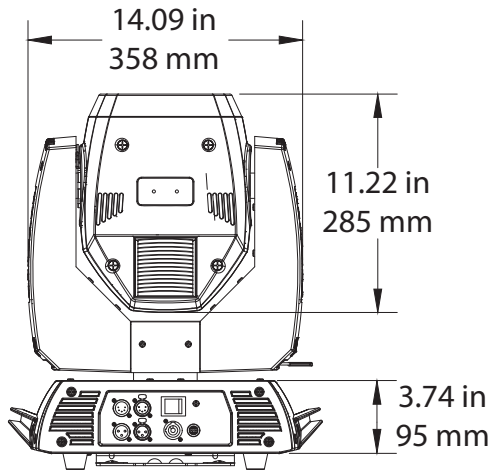
- Fully featured, high powered beam fixture with a single color wheel, single static gobo wheel, and overlapping prisms
- Fast and precise movement of Pan and Tilt functions
- Individually controllable and overlappable 8 and 5-facet prisms
- Frost for even light distribution
- Tight 1° beam for extremely focused areal effects
- RDM Enabled for remote addressing and trouble shooting
- 17 static gobos for massive visual impact

**Product Overview**





### Product Dimensions



### 3. SETUP

#### AC Power

Each Rogue R2X Beam has an auto-ranging power supply that works with an input voltage range of 100 to 240 VAC, 50/60 Hz. To determine the power requirements for each Rogue R2X Beam, refer to the label affixed to the product. You can also refer to the Technical Specifications chart in this manual.

The listed current rating indicates the maximum current draw during normal operation. For more information, download Sizing Circuit Breakers from the Chauvet website: [www.chauvetprofessional.com](http://www.chauvetprofessional.com).



- **Always connect the product to a protected circuit (circuit breaker or fuse). Make sure the product has an appropriate electrical ground to avoid the risk of electrocution or fire.**
- **To eliminate unnecessary wear and improve its lifespan, during periods of non-use completely disconnect the product from power via breaker or by unplugging it.**



**Never connect the product to a rheostat (variable resistor) or dimmer circuit, even if the rheostat or dimmer channel serves only as a 0 to 100% switch.**

#### AC Plug

The Rogue R2X Beam comes with a power input cord terminated with a Neutrik® powerCON® A connector on one end and an Edison plug on the other end (U.S. market). If the power input cord that came with your product has no plug, or if you need to change the plug, use the table below to wire the new plug.

Connection	Wire (U.S.)	Wire (Europe)	Screw Color
AC Live	Black	Brown	Yellow or Brass
AC Neutral	White	Blue	Silver
AC Ground	Green/Yellow	Green/Yellow	Green

#### Fuse Replacement

1. Disconnect this product from the power outlet.
2. Using a flat-head screwdriver, unscrew the fuse holder cap from the housing.
3. Remove the blown fuse and replace with another fuse of the same type and rating (F 7 A, 250 V).
4. Screw the fuse holder cap back in place and reconnect power.



**Make sure to disconnect the product's power cord before replacing a blown fuse. Always replace the blown fuse with another of the same type and rating.**

#### DMX Linking

You can link the Rogue R2X Beam to a DMX controller using a 5-pin DMX connection. If using other DMX-compatible products with this product, you can control each individually with a single DMX controller.

#### DMX Personalities

The Rogue R2X Beam uses a 5-pin DMX data connection for the 5-, 6- and 11-channel DMX personalities.

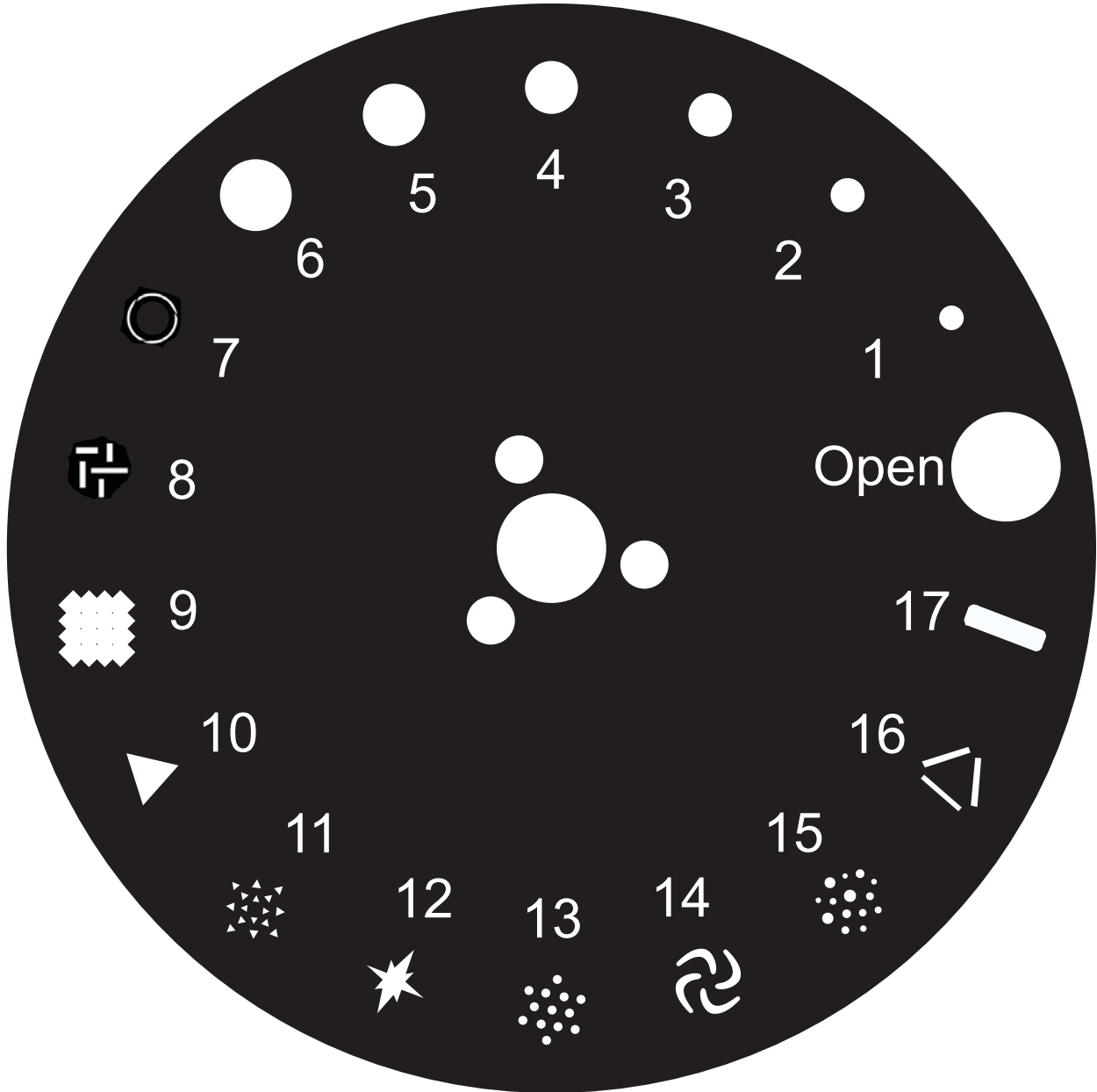
- Refer to the Introduction for a brief description of each DMX personality.
- Refer to the Operation chapter to learn how to configure the Rogue R2X Beam to work in these personalities.
- The DMX Values section provides detailed information regarding the DMX personalities.

#### Remote Device Management (RDM)

Remote Device Management, or RDM, is a standard for allowing DMX-enabled devices to communicate bi-directionally along existing DMX cabling. Check the DMX controller's User Manual or with the manufacturer as not all DMX controllers have this capability. The Rogue R2X Beam supports RDM protocol that allows feedback to make changes to menu map options.

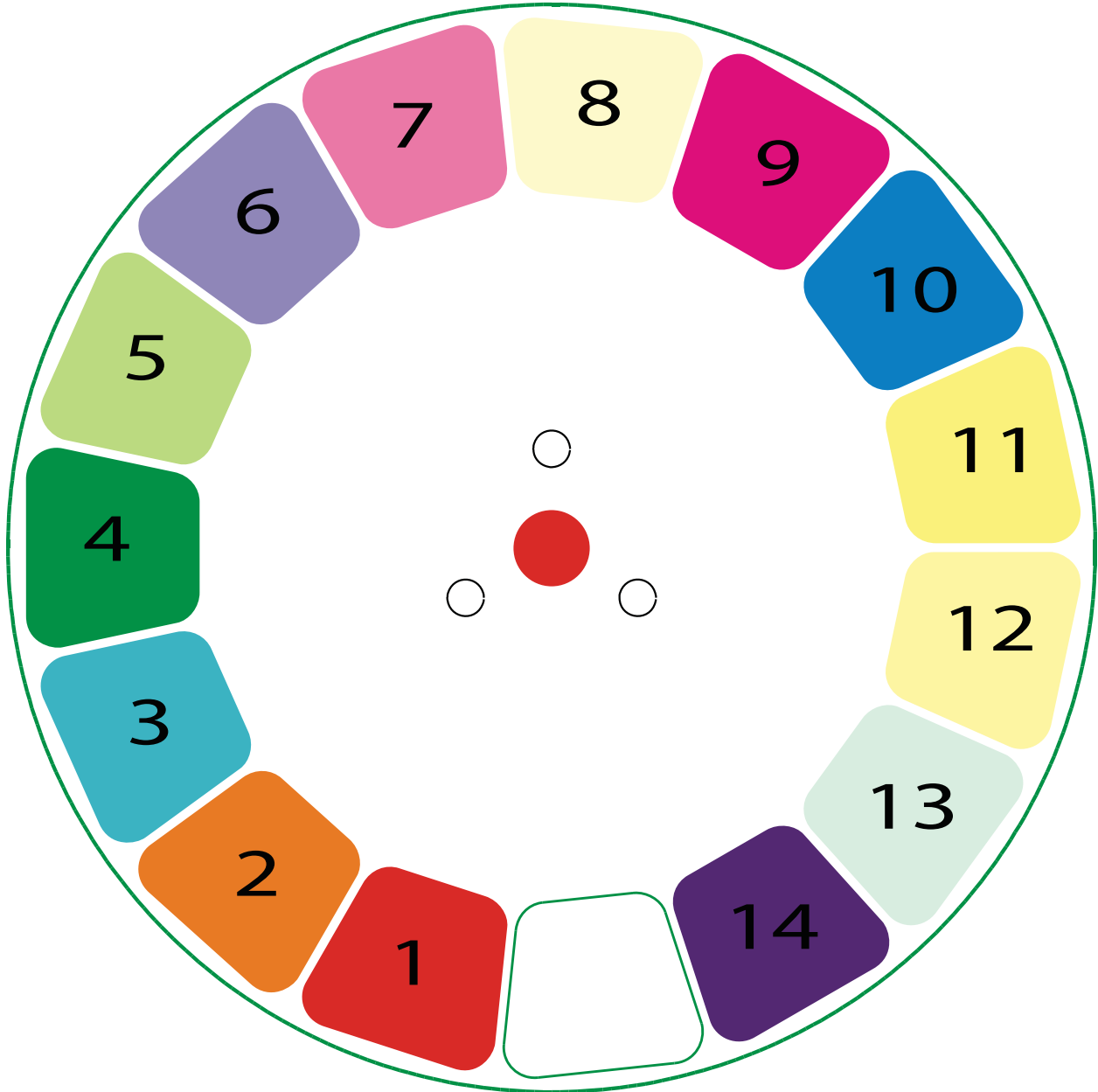
### Gobo Wheel

The Rogue R2X Beam includes one gobo wheel with 17 fixed gobos plus open. The diagram shows the gobo number on the wheel, as numbered in the [DMX Values](#) tables.



## Color Wheel

The Rogue R2X Beam includes one color wheel with 14 fixed colors plus open (white), as indicated below. The diagram shows the color number on the wheel, as numbered in the [DMX Values](#) tables.



## Lamp Replacement

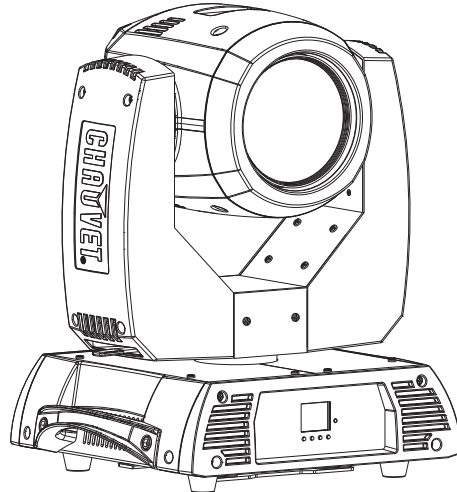
The Rogue R2X Beam is equipped with an Osram Sirius 231-W lamp. Follow the procedure below to safely change the lamp,



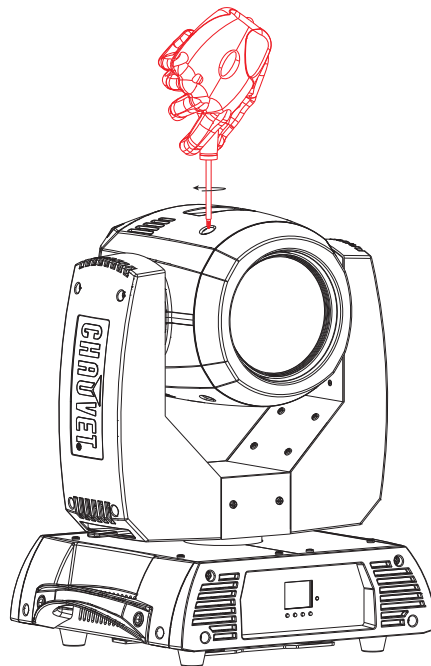
**Disconnect the product from power before opening.**

### Procedure

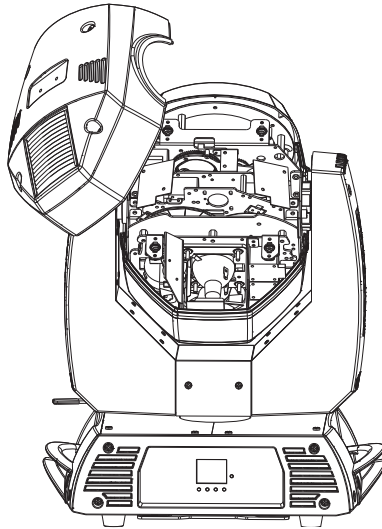
1. Turn the product off and disconnect it from power. Wait at least 15 minutes for the lamp to cool down.



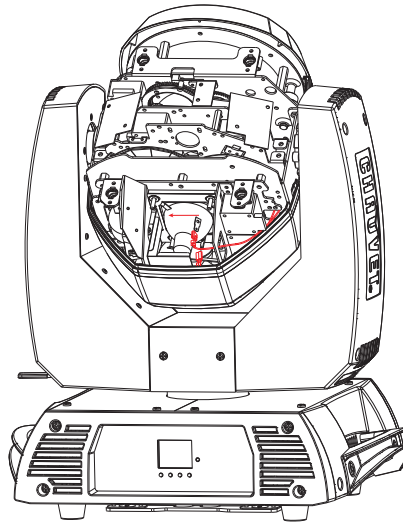
2. Remove both head covers by removing 8 Phillips-head ¼-turn screws.



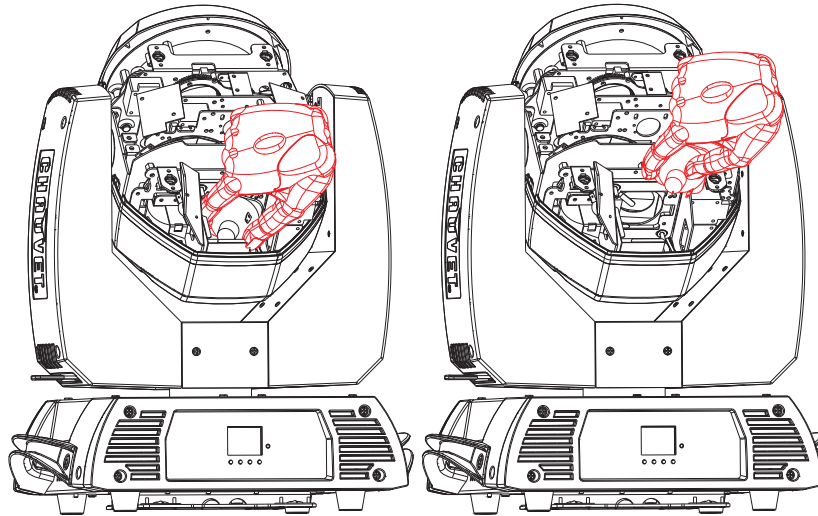
3. Orient the bottom of the moving head so that the fan is facing upward.



4. Remove the 2 wires connected to the lamp by the spade terminals. Using the lamp base, push the lamp to the left against the spring clips located on the left.



5. Roll the lamp out the top and pull it away.



6. Reverse the steps above to install the new lamp. Do not touch the glass with bare hands.



**Do not turn product on without a lamp!**

### Increasing the Lamp's Life

- **ALWAYS** turn the lamp off by using the DMX controller or the product's control panel, then wait at least 5 minutes before switching off the product. This will keep the fans running to extract any remaining heat from the product's head.
- **DO NOT** power cycle the product unless it is necessary.
- **DO NOT** re-strike the lamp immediately after turning it off. Chauvet recommends waiting 5 minutes before trying to re-strike the lamp.
- **DO NOT** touch the lamp without wearing gloves to avoid leaving grease on the bulb or on the contacts that could reduce the lamp's life.
- **ALWAYS** change the lamp when it has reached its recommended lifespan to avoid the risk of lamp explosion.

## Mounting

Before mounting the product, read and follow the safety recommendations indicated in the Safety Notes. For our CHAUVET Professional line of mounting clamps, go to <http://trusst.com/products/>.

### Orientation

Always mount this product in a safe position, making sure there is adequate room for ventilation, configuration, and maintenance.

### Rigging

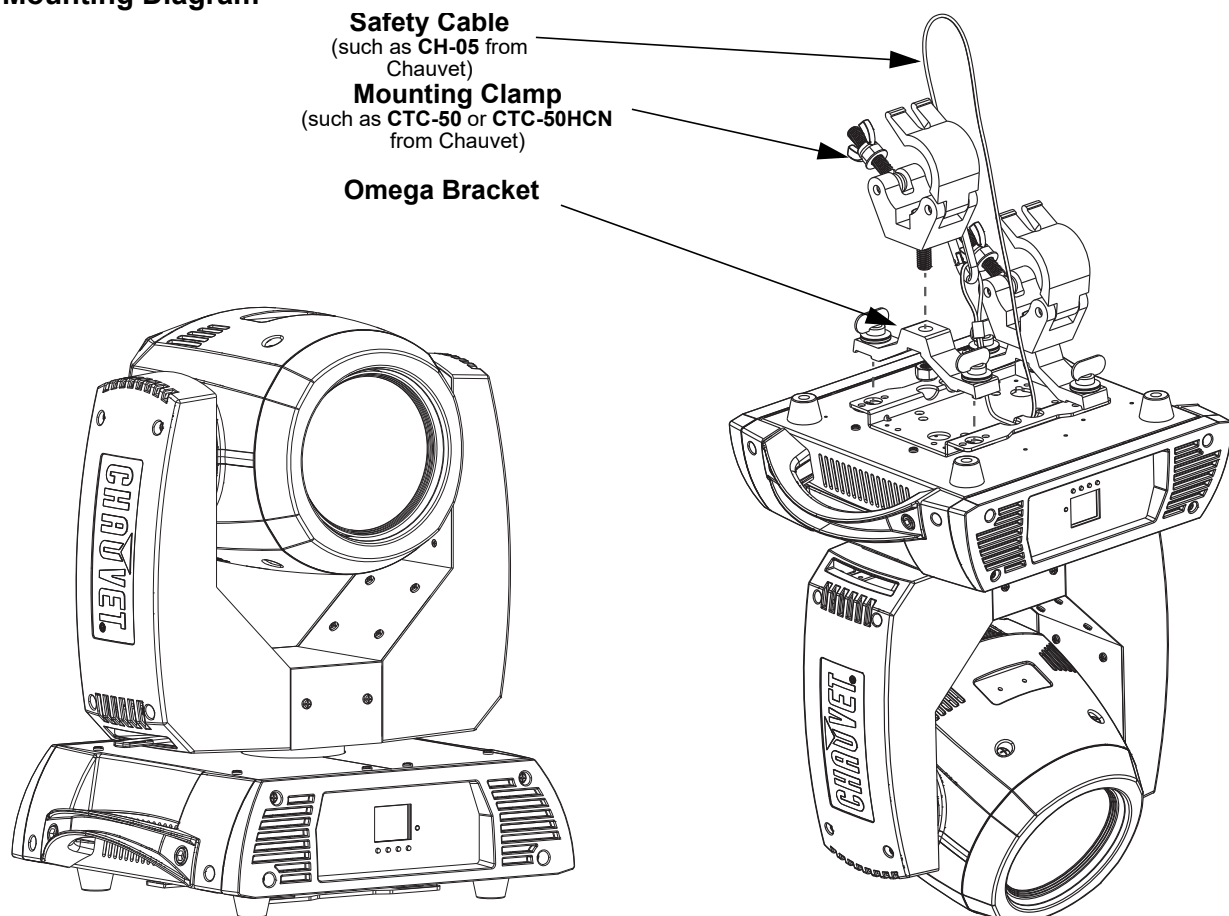
Chauvet recommends using the following general guidelines when mounting this product.

- Before deciding on a location for the product, make sure there is easy access to the product for maintenance and programming purposes.
- Make sure that the structure onto which you are mounting the product can support the product's weight. See the [Technical Specifications](#) for weight information.
- When mounting the product overhead, always use a safety cable. Mount the product securely to a rigging point, whether an elevated platform or a truss.
- When rigging the product onto a truss, use a mounting clamp of appropriate weight capacity.
- When power linking multiple products, mount the products close enough for power linking cables to reach.
- The bracket adjustment knobs allow for directional adjustment when aiming the product to the desired angle. Only loosen or tighten the bracket knobs manually. Using tools could damage the knobs.

### Procedure

The Rogue R2X Beam comes with a double-bracketed yoke to which you can either attach mounting clamps for hanging or simply use as a floor stand. You must supply the mounting clamps. Make sure the clamps are capable of supporting the weight of this product. Use at least one mounting point per product. For the CHAUVET Professional line of mounting clamps, go to <http://www.trusst.com/products>.

### Mounting Diagram





## 4. OPERATION

### Control Panel Operation

Button	Function
<MENU>	Exits from the current menu or function
<ENTER>	Enables the currently displayed menu or sets the currently selected value in to the current function
<UP>	Navigates upward through the menu list or increases the numeric value when in a function
<DOWN>	Navigates downward through the menu list or decreases the numeric value when in a function

### Control Options

Set the Rogue R2X Beam starting address in the 001-512 DMX range. This enables control of up to 26 products in the 19-channel 19 CH personality.

### Programming

Refer to the Menu Map to understand the menu options. The menu map shows the main level and a variable number of programming levels for each option.

- To go to the desired main level, press <MENU> repeatedly until the option shows on the display. Press <ENTER> to select. This will take you to the first programming level for that option.
- To select an option or value within the current programming level, press <UP> or <DOWN> until the option shows on the display. Press <ENTER> to select. In this case, if there is another programming level, you will see that first option, or you will see the selected value.
- Press <MENU> repeatedly to exit to the previous main level.

### Control Panel Lock

This setting enables you to activate or disable the control panel lock, which keeps unauthorized users from changing the product's settings.

1. Go to the **Key Lock** main level.
2. Select **ON** or **OFF**.



**When the control panel lock is activated, in order to access the products main programming level, the product will prompt for the passcode. Enter the passcode as described below.**

### Passcode

After being prompted to enter the passcode:

Press <UP>, <DOWN>, <UP>, <DOWN>, <ENTER>

### Menu Map

Main Level	Programming Levels		Description	
Address	001–512		Sets the DMX starting address	
Running Mode	DMX	19CH	Selects the DMX mode	
		16CH		
	Auto Test		Runs the product's test sequence	
	Manual Test	Pan	000–255	Allows manual control of all settings from the control panel
		Pan Fine		
		Tilt		
		Tilt Fine		
		P/T Speed		
		Dimmer		
		Dimmer Fine		
		Shutter		
		Color		
		Gobo		
		Prism1		
		Prism1 Rotate		
		Prism2		
		Prism2 Rotate		
Focus				
Frost				
P/T Macro				
P/T Ma. Speed				
Special Function				
Setup	Pan Reverse	NO	Normal pan operation	
		YES	Reverse pan operation	
	Tilt Reverse	NO	Normal tilt operation	
		YES	Reverse tilt operation	
	Screen Reverse	NO	Normal control screen view	
		YES	Rotates control screen view 180°	
	Pan Angle	540	Selects the 540° pan angle range	
		360	Selects the 360° pan angle range	
		180	Selects the 180° pan angle range	
	Tilt Angle	270	Selects the 270° tilt angle range	
		180	Selects the 180° tilt angle range	
		90	Selects the 90° tilt angle range	
	BL.O.P/T Move	NO	Enables/disables blackout on pan/tilt move	
		YES		
	BL.O.Color Move	NO	Enables/disables blackout on color wheel move	
YES				
BL.O.Gobo Move	NO	Enables/disables blackout on gobo wheel move		
	YES			
Lamp Settings	On/Off	ON	Turns lamp on/off	
		OFF		
	State/Power on	ON	Defines the status of the lamp when powering up product	
		OFF		

Main Level	Programming Levels		Description	
Setup	Lamp Settings	Off Via Dmx	NO	Turns off the unit via DMX controller
			YES	
		On If Dmx on	NO	Turns lamp on when DMX signal is detected
			YES	
		Off If Dmx off	NO	Turns lamp off when DMX signal is lost
			YES	
	Ignition Delay	000-255	Selects duration of delay between product power on and lamp power on	
	Low Power Delay		Sets duration of delay when shutter is closed and lamp enters low power mode	
	Reset Lamp Time	NO	Leaves lamp time unchanged	
		YES	Resets lamp timer to 0	
	Maintenance Timer	Interval Time	010-250	Defines amount of hours between maintenance
		Remain Time	RESET	Resets maintenance cycle
				000-250
	Reset Function	Pan/Tilt	NO	Resets pan/tilt functions to the home position
			YES	
		Shutter/Prism	NO	Resets all shutter and prism functions to the home position
			YES	
		Color	NO	Resets all color functions to the home position
			YES	
		Gobo	NO	Resets all gobo functions to the home position
YES				
Frost/Focus		NO	Resets the focus and frost functions to the home position	
		YES		
All	NO	Resets all functions to the home position		
	YES			
Factory Setting	NO	Reverts the product back to the original factory settings		
	YES			
Sys Info	Ver:	V_	Displays the software version	
	Running Mode:	---	Displays the current running mode	
	DMX Address:	---	Displays the current DMX address	
	Temperature:	---	Displays the product's temperature in Celsius	
	Lamp On Time:	-----	Displays the amount of time the lamp has been on (provided the counter has been reset upon installation of new lamp)	
	Remaining Time:	-----	Shows amount of time remaining in maintenance cycle	
	UID:	-----	Displays the UID	

## Address

This programming level sets the DMX starting address. In this mode, each product will respond to a unique starting address from the DMX controller. All products with the same starting address will respond in unison. This option sets the products DMX address.

1. Starting from the Main Level screen, select **Address**, press **<ENTER>**.
2. Select the starting address (**001–512**), press **<ENTER>**.

## Run Mode

This programming level sets the DMX personality and controls the different test modes.

- Starting from the Main Level screen, select **Running Mode**, press **<ENTER>**.

## DMX Personality

This setting allows you to choose a particular DMX personality.

1. Highlight **DMX**, press **<ENTER>**.
2. Select the DMX personality **16** or **19** press **<ENTER>**..



- Make sure that the starting addresses on the various products do not overlap due to the new personality setting.

## Auto Test

This option runs every attribute individually through 1 cycle.

- Highlight **Auto Test**, press **<ENTER>**.



- The Auto Test will end after 1 full cycle. You can stop the test by pressing **<MENU>** at any time.

## Manual Test

This option allows each attribute to run individually or as a group.

1. Highlight **Manual Test**, press **<ENTER>**.
2. Highlight the desired attribute listed on the control panel screen, press **<ENTER>**.
3. Set the attribute value (**000–255**), press **<ENTER>**.
4. Repeat step 2 for the other attributes.



- When exiting the Manual Test level, the values of all tested channels will revert to zero.

## Setup

This programming level controls the product's head movement, display, dimming, and fan adjustments.

- Starting from the Main Level screen, select **Setup**, press **<ENTER>**.

## Pan Reverse

Reverses the operation of the pan attribute.

1. Highlight **Pan Reverse**, press **<ENTER>**.
2. Select **OFF** or **ON**, press **<ENTER>**

## Tilt Reverse

Reverses the operation of the tilt attribute.

1. Highlight **Tilt Reverse**, press **<ENTER>**.
2. Select **OFF** or **ON**, press **<ENTER>**

## Pan Angle

This option assigns pan range.

1. Highlight **Pan Angle**, press **<ENTER>**.
2. Select **540**, **360**, or **180**, press **<ENTER>**.

### Tilt Angle

This option assigns tilt range.

1. Highlight **Tilt Angle**, press <ENTER>.
2. Select **90**, **180**, or **230**, press <ENTER>.

### BL.O.P/T Move

Enables/disables blackout on pan/tilt move.

1. Highlight **BL.O.P/T Move**, press <ENTER>.
2. Select **YES** or **NO**, press <ENTER>.

### BL.O.Color Move

Enables/disables blackout on color wheel move.

1. Highlight **BL.O.Color Move**, press <ENTER>.
2. Select **YES** or **NO**, press <ENTER>.

### BL.O.Gobo Move

Enables/disables blackout on gobo wheel move.

1. Highlight **BL.O.Gobo Move**, press <ENTER>.
2. Select **YES** or **NO**, press <ENTER>.

### Lamp controls

This programming level allows the user to change a range of options that control the action of the lamp.

- Starting from the **Setup** screen level, select **Lamp Settings**, press <ENTER>.

#### Lamp Settings

This option turns the lamp on and off.

1. Highlight **On/Off**, press <ENTER>.
  2. Select **ON** or **OFF**, press <ENTER>.
- **Do not turn product on without a lamp!**
  - **ALWAYS turn the lamp off by using the DMX controller or the product's control panel, then wait at least 5 minutes before switching off the product. This will keep the fans running to extract any remaining heat from the product's head.**
  - **DO NOT power cycle the product unless it is necessary.**
  - **DO NOT re-strike the lamp immediately after turning it off. Chauvet recommends waiting 5 minutes before trying to re-strike the lamp.**

#### Lamp State

This option determines whether the lamp turns on automatically when the product is powered up.

1. Highlight **State/Power on**, press <ENTER>.
2. Select **ON** or **OFF**, press <ENTER>.

#### Remote Turn Off

This option allows a connected DMX controller to turn the lamp on/off via the control channel.

1. Highlight **Off Via Dmx**, press <ENTER>.
2. Select **YES** or **NO**, press <ENTER>.

#### Lamp On if DMX Present

This option determines whether the lamp turns on automatically when a DMX signal is detected.

1. Highlight **On If Dmx On**, press <ENTER>.
2. Select **YES** or **NO**, press <ENTER>.

#### Lamp Off if DMX Absent

This option determines whether the lamp turns off automatically when a DMX signal is lost.

1. Highlight **Off If Dmx Off**, press <ENTER>.
2. Select **YES** or **NO**, press <ENTER>.

#### Lamp Strike Delay

This option sets the duration of time (seconds) it takes for the lamp to turn on when powering up the product.

1. Highlight **Ignition Delay**, press <ENTER>.
2. Select **000–255**, press <ENTER>.

### Lamp Low Power State

This attribute puts the lamp into a low power state when the shutters are closed helping to increase the life of the shutters. This option allows the user to adjust how long from the instant the shutters are closed to the time the lamp enters the low power state.

1. Highlight **Low Power Delay**, press <ENTER>.
2. Select **000–255**, press <ENTER>.

### Lamp Timer

This procedure resets the lamp maintenance timer to **0**. It is recommended that this be done after every lamp change.

1. Highlight **Reset Lamp Time**, press <ENTER>.
2. Select **YES** or **NO**, press <ENTER>.

### Maintenance Timer

This programming level allows the user to change a range of options that control the action of the maintenance timer.

- Starting from the **Setup** screen level, select **Maintenance Timer**, press <ENTER>.

### Maintenance Timer Interval

This option defines the amount of time (hours) that the maintenance timer will count down to.

1. Highlight **Interval Time**, press <ENTER>.
2. Select **010–250**, press <ENTER>.

### Maintenance Timer Reset

This procedure resets the lamp maintenance timer to **0**. It is recommended that this be done after every lamp change.

1. Highlight **Remaining Time**, press <ENTER>.
2. Select **RESET**, press <ENTER>.

### Reset Function

This programming level allows the user to reset individual functions to the home position.

- Starting from the **Setup** screen level, select **Reset Function**, press <ENTER>.

### Pan/Tilt Reset

This option resets the Pan/Tilt functions to the home position.

1. Highlight **Pan/Tilt**, press <ENTER>.
2. Select **YES** or **NO**, press <ENTER>.

### Shutter/Prism Reset

This option resets the Shutter/Prism functions to the home position.

1. Highlight **Shutter/Prism**, press <ENTER>.
2. Select **YES** or **NO**, press <ENTER>.

### Color Reset

This option resets the Color functions to the home position.

1. Highlight **Color**, press <ENTER>.
2. Select **YES** or **NO**, press <ENTER>.

### Gobo Reset

This option resets the Gobo functions to the home position.

1. Highlight **Gobo**, press <ENTER>.
2. Select **YES** or **NO**, press <ENTER>.

### Frost/Focus Reset

This option resets the Frost/Focus functions to the home position.

1. Highlight **Frost/Focus**, press <ENTER>.
2. Select **YES** or **NO**, press <ENTER>.

### All Reset

This option resets all the functions to the home position.

1. Highlight **All**, press <ENTER>.
2. Select **YES** or **NO**, press <ENTER>.

## Factory Reset Function

This reverts the product back to its original factory settings.

1. Starting from the **Setup** screen level, select **Factory Settings**, press **<ENTER>**.
2. Select **YES** or **NO**, press **<ENTER>**.

## System Information

This programming level shows standard information regarding the product's operating status. Starting from the Main Level screen, select **Sys Info**, press **<ENTER>**.

- **Ver:** The current software version is displayed on the screen.
- **Running Mode:** The current Running mode is displayed on the screen.
- **DMX Address:** The current DMX address is displayed on the screen.
- **Temperature:** The current product temperature is displayed on the screen.
- **Fixture Time:** The product's total running time.

## Offset Mode

The Offset mode provides fine adjustments for the home position of all the moving parts in the optical path as well as the pan and tilt movements. This way, when in their home position, the moving parts do not show any border or reduce the light output.

1. Starting from the Main Level screen, press and hold **<MENU>** until the passcode screen appears.
2. Using **<UP>** to increase the number value and **<DOWN>** to move to the next column, enter **2323**, press **<ENTER>**. This brings you into the Zero Adjust menu screen.

### Pan

1. Highlight **PAN**, press **<ENTER>**.
2. Select **000–255**, press **<ENTER>**.

### Tilt

1. Highlight **TILT**, press **<ENTER>**.
2. Select **000–255**, press **<ENTER>**.

### Shutter1

1. Highlight **SHUT1**, press **<ENTER>**.
2. Select **000–255**, press **<ENTER>**.

### Shutter2

1. Highlight **SHUT2**, press **<ENTER>**.
2. Select **000–255**, press **<ENTER>**.

### Color

1. Highlight **COLOR**, press **<ENTER>**.
2. Select **000–255**, press **<ENTER>**.

### Gobo

1. Highlight **GOBO**, press **<ENTER>**.
2. Select **000–255**, press **<ENTER>**.

### Prism 1

1. Highlight **PRISM1**, press **<ENTER>**.
2. Select **000–255**, press **<ENTER>**.

### Rotating Prism 1

1. Highlight **PRISM1 ROTATE**, press **<ENTER>**.
2. Select **000–255**, press **<ENTER>**.

### Prism 2

1. Highlight **PRISM2**, press **<ENTER>**.
2. Select **000–255**, press **<ENTER>**.

### Rotating Prism 2

1. Highlight **PRISM2 ROTATE**, press **<ENTER>**.
2. Select **000–255**, press **<ENTER>**.

**Focus**

1. Highlight **FOCUS**, press <ENTER>.
2. Select **000–255**, press <ENTER>.

**Frost**

1. Highlight **FROST**, press <ENTER>.
2. Select **000–255**, press <ENTER>.

**Mac 4**

1. Highlight **MAC4**, press <ENTER>.
2. Select **000–255**, press <ENTER>.

**Mac 5**

1. Highlight **MAC5**, press <ENTER>.
2. Select **000–255**, press <ENTER>.

**Mac 6**

1. Highlight **MAC6**, press <ENTER>.
2. Select **000–255**, press <ENTER>.

**DMX Values**

**19CH**

Channel	Function	Value	Percent/Setting
1	Pan	000 ⇄ 255	0–100%
2	Fine Pan	000 ⇄ 255	Fine control (16-bit)
3	Tilt	000 ⇄ 255	0–100%
4	Fine Tilt	000 ⇄ 255	Fine control (16-bit)
5	Pan/Tilt Speed	000 ⇄ 255	0–100%
6	Dimmer	000 ⇄ 255	0–100%
7	Fine Dimmer	000 ⇄ 255	Fine control (16-bit)
8	Shutter	000 ⇄ 007	Closed
		008 ⇄ 015	Open
		016 ⇄ 131	Synchronizing strobe with increasing speed
		132 ⇄ 167	Fast close, slow open from slow to fast
		168 ⇄ 203	Slow close, fast open from slow to fast
		204 ⇄ 239	Pulse strobe with increasing speed
		240 ⇄ 250	Random strobe with increasing speed
		251 ⇄ 255	Open
9	Color Wheel	000 ⇄ 004	Open
		005 ⇄ 008	Color 1
		009 ⇄ 012	Color 2
		013 ⇄ 016	Color 3
		017 ⇄ 020	Color 4
		021 ⇄ 024	Color 5
		025 ⇄ 028	Color 6



Channel	Function	Value	Percent/Setting
9	Color Wheel	029 ⇄ 032	Color 7
		033 ⇄ 036	Color 8
		037 ⇄ 040	Color 9
		041 ⇄ 044	Color 10
		045 ⇄ 048	Color 11
		049 ⇄ 052	Color 12
		053 ⇄ 056	Color 13
		057 ⇄ 060	Color 14
		061 ⇄ 127	Split color
		128 ⇄ 189	Rotation, fast to slow
190 ⇄ 255	Reverse rotation, slow to fast		
10	Gobo Wheel	000 ⇄ 003	Open
		004 ⇄ 006	Gobo 1
		007 ⇄ 009	Gobo 2
		010 ⇄ 012	Gobo 3
		013 ⇄ 015	Gobo 4
		016 ⇄ 018	Gobo 5
		019 ⇄ 021	Gobo 6
		022 ⇄ 024	Gobo 7
		025 ⇄ 027	Gobo 8
		028 ⇄ 030	Gobo 9
		031 ⇄ 033	Gobo 10
		034 ⇄ 036	Gobo 11
		037 ⇄ 039	Gobo 12
		040 ⇄ 042	Gobo 13
		043 ⇄ 045	Gobo 14
		046 ⇄ 048	Gobo 15
		049 ⇄ 051	Gobo 16
		052 ⇄ 055	Gobo 17
		056 ⇄ 059	Open
		060 ⇄ 063	Gobo 1 shake, from slow to fast
		064 ⇄ 067	Gobo 2 shake, from slow to fast
		068 ⇄ 071	Gobo 3 shake, from slow to fast
		072 ⇄ 075	Gobo 4 shake, from slow to fast
		076 ⇄ 079	Gobo 5 shake, from slow to fast
		080 ⇄ 083	Gobo 6 shake, from slow to fast
		084 ⇄ 087	Gobo 7 shake, from slow to fast
		088 ⇄ 091	Gobo 8 shake, from slow to fast
		092 ⇄ 095	Gobo 9 shake, from slow to fast
		096 ⇄ 099	Gobo 10 shake, from slow to fast
		100 ⇄ 103	Gobo 11 shake, from slow to fast
104 ⇄ 107	Gobo 12 shake, from slow to fast		
108 ⇄ 111	Gobo 13 shake, from slow to fast		
112 ⇄ 115	Gobo 14 shake, from slow to fast		
116 ⇄ 119	Gobo 15 shake, from slow to fast		

Channel	Function	Value	Percent/Setting
10	Gobo Wheel	120 ⇄ 123	Gobo 16 shake, from slow to fast
		124 ⇄ 127	Gobo 17 shake, from slow to fast
		128 ⇄ 189	Rotation, fast to slow
		190 ⇄ 255	Reverse rotation, slow to fast
11	Prism 1	000 ⇄ 004	No function
		005 ⇄ 255	5-facet prism effect
12	Prism 1 Rotation	000 ⇄ 127	Prism indexing
		128 ⇄ 189	Clockwise rotation, fast to slow
		190 ⇄ 193	Stop
		194 ⇄ 255	Counter-clockwise rotation, slow to fast
13	Prism 2	000 ⇄ 004	No function
		005 ⇄ 255	8-facet prism effect
14	Prism 2 Rotation	000 ⇄ 127	Prism indexing
		128 ⇄ 189	Clockwise rotation, fast to slow
		190 ⇄ 193	Stop
		194 ⇄ 255	Counter-clockwise rotation, slow to fast
15	Focus	000 ⇄ 255	0–100%
16	Frost	000 ⇄ 255	0–100%
17	Auto Program	000 ⇄ 007	No function
		008 ⇄ 015	Auto program 1
		016 ⇄ 023	Auto program 2
		024 ⇄ 031	Auto program 3
		032 ⇄ 039	Auto program 4
		040 ⇄ 047	Auto program 5
		048 ⇄ 055	Auto program 6
		056 ⇄ 063	Auto program 7
		064 ⇄ 071	Auto program 8
		072 ⇄ 079	Auto program 9
		080 ⇄ 087	Auto program 10
		088 ⇄ 095	Auto program 11
		096 ⇄ 103	Auto program 12
		104 ⇄ 111	Auto program 13
		112 ⇄ 119	Auto program 14
		120 ⇄ 127	Auto program 15
		128 ⇄ 135	Auto program 16
		136 ⇄ 143	Auto program 17
		144 ⇄ 151	Auto program 18
		152 ⇄ 159	Auto program 19
		160 ⇄ 167	Auto program 20
		168 ⇄ 175	Auto program 21
		176 ⇄ 183	Auto program 22
		184 ⇄ 191	Auto program 23
		192 ⇄ 199	Auto program 24
200 ⇄ 207	Auto program 25		

Channel	Function	Value	Percent/Setting
17	Auto Program	208 ⇄ 215	Auto program 26
		216 ⇄ 223	Auto program 27
		224 ⇄ 231	Auto program 28
		232 ⇄ 239	Auto program 29
		240 ⇄ 247	Auto program 30
		248 ⇄ 255	Auto program 31
18	Auto Speed	000 ⇄ 255	Fast to slow
19	Control	000 ⇄ 069	No function
		070 ⇄ 079	Enable blackout during pan/tilt
		080 ⇄ 089	Disable blackout during pan/tilt
		090 ⇄ 099	Enable blackout while color wheel is moving
		100 ⇄ 109	Disable blackout while color wheel is moving
		110 ⇄ 119	Enable blackout while gobo wheel is moving
		120 ⇄ 129	Disable blackout while gobo wheel is moving
		130 ⇄ 139	Lamp on
		140 ⇄ 149	Pan/Tilt reset
		150 ⇄ 159	Color Reset
		160 ⇄ 169	Gobo reset
		170 ⇄ 179	Shutter/Prism reset
		180 ⇄ 189	No function
		190 ⇄ 199	Frost/Focus reset
		200 ⇄ 209	All reset
		210 ⇄ 219	Blackout enabled
		220 ⇄ 229	Blackout disabled
230 ⇄ 239	Lamp off		
240 ⇄ 255	No function		

16CH

Channel	Function	Value	Percent/Setting
1	Pan	000 ⇄ 255	0–100%
2	Fine Pan	000 ⇄ 255	Fine control (16-bit)
3	Tilt	000 ⇄ 255	0–100%
4	Fine Tilt	000 ⇄ 255	Fine control (16-bit)
5	Pan/Tilt Speed	000 ⇄ 255	0–100%
6	Dimmer	000 ⇄ 255	0–100%
7	Shutter	000 ⇄ 007	Closed
		008 ⇄ 015	Open
		016 ⇄ 131	Synchronizing strobe with increasing speed
		132 ⇄ 167	Fast close, slow open from slow to fast
		168 ⇄ 203	Slow close, fast open from slow to fast
		204 ⇄ 239	Pulse strobe with increasing speed
		240 ⇄ 250	Random strobe with increasing speed
		251 ⇄ 255	Open

Channel	Function	Value	Percent/Setting
8	Color Wheel	000 ⇄ 004	Open
		005 ⇄ 008	Color 1
		009 ⇄ 012	Color 2
		013 ⇄ 016	Color 3
		017 ⇄ 020	Color 4
		021 ⇄ 024	Color 5
		025 ⇄ 028	Color 6
		029 ⇄ 032	Color 7
		033 ⇄ 036	Color 8
		037 ⇄ 040	Color 9
		041 ⇄ 044	Color 10
		045 ⇄ 048	Color 11
		049 ⇄ 052	Color 12
		053 ⇄ 056	Color 13
		057 ⇄ 060	Color 14
		061 ⇄ 127	Split color
128 ⇄ 189	Rotation, fast to slow		
190 ⇄ 255	Reverse rotation, slow to fast		
9	Gobo Wheel	000 ⇄ 003	Open
		004 ⇄ 006	Gobo 1
		007 ⇄ 009	Gobo 2
		010 ⇄ 012	Gobo 3
		013 ⇄ 015	Gobo 4
		016 ⇄ 018	Gobo 5
		019 ⇄ 021	Gobo 6
		022 ⇄ 024	Gobo 7
		025 ⇄ 027	Gobo 8
		028 ⇄ 030	Gobo 9
		031 ⇄ 033	Gobo 10
		034 ⇄ 036	Gobo 11
		037 ⇄ 039	Gobo 12
		040 ⇄ 042	Gobo 13
		043 ⇄ 045	Gobo 14
		046 ⇄ 048	Gobo 15
		049 ⇄ 051	Gobo 16
		052 ⇄ 055	Gobo 17
		056 ⇄ 059	Open
		060 ⇄ 063	Gobo 1 shake, from slow to fast
		064 ⇄ 067	Gobo 2 shake, from slow to fast
		068 ⇄ 071	Gobo 3 shake, from slow to fast
		072 ⇄ 075	Gobo 4 shake, from slow to fast
		076 ⇄ 079	Gobo 5 shake, from slow to fast
		080 ⇄ 083	Gobo 6 shake, from slow to fast
		084 ⇄ 087	Gobo 7 shake, from slow to fast
		088 ⇄ 091	Gobo 8 shake, from slow to fast
		092 ⇄ 095	Gobo 9 shake, from slow to fast

Channel	Function	Value	Percent/Setting
9	Gobo Wheel	096 ⇄ 099	Gobo 10 shake, from slow to fast
		100 ⇄ 103	Gobo 11 shake, from slow to fast
		104 ⇄ 107	Gobo 12 shake, from slow to fast
		108 ⇄ 111	Gobo 13 shake, from slow to fast
		112 ⇄ 115	Gobo 14 shake, from slow to fast
		116 ⇄ 119	Gobo 15 shake, from slow to fast
		120 ⇄ 123	Gobo 16 shake, from slow to fast
		124 ⇄ 127	Gobo 17 shake, from slow to fast
		128 ⇄ 189	Rotation, fast to slow
190 ⇄ 255	Reverse rotation, slow to fast		
10	Prism 1	000 ⇄ 004	No function
		005 ⇄ 255	5-facet prism effect
11	Prism 1 Rotation	000 ⇄ 127	Prism indexing
		128 ⇄ 189	Clockwise rotation, slow to fast
		190 ⇄ 193	Stop
		194 ⇄ 255	Counter-clockwise rotation, slow to fast
12	Prism 2	000 ⇄ 004	No function
		005 ⇄ 255	8-facet prism effect
13	Prism 2 Rotation	000 ⇄ 127	Prism indexing
		128 ⇄ 189	Clockwise rotation, slow to fast
		190 ⇄ 193	Stop
		194 ⇄ 255	Counter-clockwise rotation, slow to fast
14	Focus	000 ⇄ 255	0–100%
15	Frost	000 ⇄ 255	0–100%
16	Control	000 ⇄ 069	No function
		070 ⇄ 079	Enable blackout during pan/tilt
		080 ⇄ 089	Disable blackout during pan/tilt
		090 ⇄ 099	Enable blackout while color wheel is moving
		100 ⇄ 109	Disable blackout while color wheel is moving
		110 ⇄ 119	Enable blackout while gobo wheel is moving
		120 ⇄ 129	Disable blackout while gobo wheel is moving
		130 ⇄ 139	Lamp on
		140 ⇄ 149	Pan/Tilt reset
		150 ⇄ 159	Color Reset
		160 ⇄ 169	Gobo reset
		170 ⇄ 179	Shutter/Prism reset
		180 ⇄ 189	No function
		190 ⇄ 199	Frost/Focus reset
		200 ⇄ 209	All reset
		210 ⇄ 219	Blackout enabled
		220 ⇄ 229	Blackout disabled
230 ⇄ 239	Lamp off		
240 ⇄ 255	No function		

## 5. TECHNICAL INFORMATION

### Product Maintenance

To maintain optimum performance and minimize wear, clean this product frequently. Usage and environment are contributing factors in determining the cleaning frequency.

Clean this product at least twice a month. Dust build-up reduces light output performance and can cause overheating. This can lead to reduced light source life and increased mechanical wear.

To clean the product:

1. Unplug the product from power.
2. Wait until the product is at room temperature.
3. Use a vacuum (or dry compressed air) and a soft brush to remove dust collected on the external vents.
4. Clean all transparent surfaces with a mild soap solution, ammonia-free glass cleaner, or isopropyl alcohol.
5. Apply the solution directly to a soft, lint free cotton cloth or a lens cleaning tissue.
6. Softly drag any dirt or grime to the outside of the transparent surface.
7. Gently polish the transparent surfaces until they are free of haze and lint.



**Always dry the transparent surfaces carefully after cleaning them.**



**Do not spin the cooling fans while blowing compressed air into them.**

## 6. TECHNICAL SPECIFICATIONS

### Dimensions and Weight

Length	Width	Height	Weight
16.1 in (409 mm)	12.8 in (327 mm)	19.2 in (490 mm)	45.4 lb (20.6 kg)

**Note:** Dimensions in inches rounded to the nearest hundredth.

### Power

Power Supply Type	Range	Voltage Selection
Switching (internal)	100 to 240 VAC, 50/60 Hz	Auto-ranging
Parameter	120 V, 60 Hz	230 V, 50 Hz
Consumption	384 W	382 W
Operating Current	3.18 A	1.61 A
Fuse	F 7 A, 250 V	F 7 A, 250 V
Power I/O	U.S./Canada	Worldwide
Power input connector	Neutrik powerCON power cord	Neutrik powerCON power cord
Power output connector	Neutrik powerCON power cord	Neutrik powerCON power cord
Power Cord plug	Edison (U.S.)	Local Plug

### Light Source

Type	Power	Lifespan
HRI	231 W	2,000 hours

### Photometrics

Parameter	Narrow Zoom
Beam Angle	1°
Field Angle	2°
Illuminance @ 5 m	xxx lux

### Thermal

Maximum External Temperature	Cooling System
113 °F (45 °C)	Convection

### DMX

I/O Connector	Channel Range
3- and 5-pin XLR	16 or 19

### Ordering

Product Name	Item Code	UPC Number
Rogue R2X Beam	0811493	781462218416



UL 1573  
CSA C22.2 No. 166  
E113093

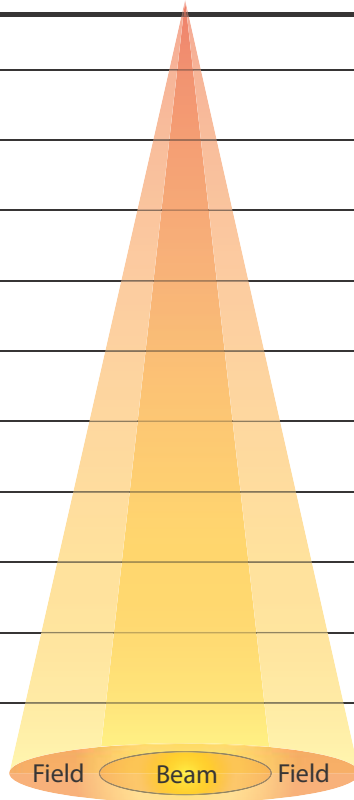


RoHS

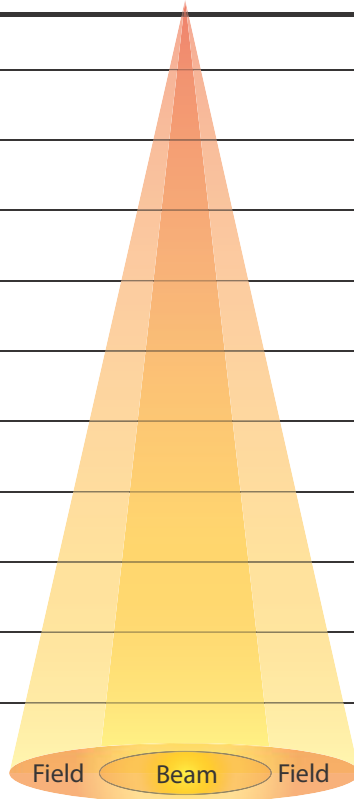


**Photometrics Chart**

Distance	Light Source		Footcandle
	1° Beam Diameter	2° Field Diameter	
15 ft	0.26 ft	0.52 ft	134,000
20 ft	0.35 ft	0.70 ft	75,375
30 ft	0.52 ft	1.05 ft	33,500
40 ft	0.70 ft	1.40 ft	18,844
50 ft	0.87 ft	1.75 ft	12,060
75 ft	1.31 ft	2.62 ft	5,360
100 ft	1.75 ft	3.49 ft	3,015
125 ft	2.18 ft	4.36 ft	1,930
150 ft	2.62 ft	5.24 ft	1,340



Distance	Light Source		Lux
	1° Beam Diameter	2° Field Diameter	
1 m	0.02 m	0.03 m	30,150,000
2 m	0.03 m	0.07 m	7,537,500
5 m	0.09 m	0.17 m	1,206,000
8 m	0.14 m	0.28 m	471,094
10 m	0.17 m	0.35 m	301,500
15 m	0.26 m	0.52 m	134,000
20 m	0.35 m	0.70 m	75,375
25 m	0.44 m	0.87 m	48,240
30 m	0.52 m	1.05 m	33,500





## RETURNS

---

### RETURNS

Send the product prepaid, in the original box, and with the original packing and accessories. Chauvet will not issue call tags.

Call Chauvet and request a Return Merchandise Authorization (RMA) number before shipping the product. Be prepared to provide the model number, serial number, and a brief description of the cause(s) for the return.

Clearly label the package with an RMA number. Chauvet will refuse any product returned without an RMA number.



**Write the RMA number on a properly affixed label. DO NOT write the RMA number directly on the box.**

Once you have the RMA number, provide the following information on a piece of paper and place it inside the box:

- Your name
- Your address
- Your phone number
- RMA number
- A brief description of the problem

Be sure to pack the product properly. Any shipping damage resulting from inadequate packaging will be your responsibility. FedEx packing or double-boxing are recommended.



**Chauvet reserves the right to use its own discretion to repair or replace returned product(s).**

## CONTACT US

General Information	Technical Support
<b>Chauvet World Headquarters</b>	
Address: 5200 NW 108th Ave. Sunrise, FL 33351 Voice: (954) 577-4455 Fax: (954) 929-5560 Toll Free: (800) 762-1084	Voice: (844) 393-7575 Fax: (954) 756-8015 Email: <a href="mailto:chauvetcs@chauvetlighting.com">chauvetcs@chauvetlighting.com</a>  Website: <a href="http://www.chauvetprofessional.com">www.chauvetprofessional.com</a>
<b>Chauvet Europe Ltd</b>	
Address: Unit 1C Brookhill Road Industrial Estate Pinxton, Nottingham, UK NG16 6NT Voice: +44 (0) 1773 511115 Fax: +44 (0) 1773 511110	Email: <a href="mailto:UKtech@chauvetlighting.eu">UKtech@chauvetlighting.eu</a>  Website: <a href="http://www.chauvetprofessional.eu">www.chauvetprofessional.eu</a>
<b>Chauvet Europe BVBA</b>	
Address: Stokstraat 18 9770 Kruishoutem Belgium Voice: +32 9 388 93 97	Email: <a href="mailto:BNLtech@chauvetlighting.eu">BNLtech@chauvetlighting.eu</a>  Website: <a href="http://www.chauvetprofessional.eu">www.chauvetprofessional.eu</a>
<b>Chauvet France</b>	
Address: 3, Rue Ampère 91380 Chilly-Mazarin France Voice: +33 1 78 85 33 59	Email: <a href="mailto:FRtech@chauvetlighting.fr">FRtech@chauvetlighting.fr</a>  Website: <a href="http://www.chauvetprofessional.eu">www.chauvetprofessional.eu</a>
<b>Chauvet Germany</b>	
Address: Bruno-Bürgel-Str. 11 28759 Bremen Germany Voice: +49 421 62 60 20	Email: <a href="mailto:DEtech@chauvetlighting.de">DEtech@chauvetlighting.de</a>  Website: <a href="http://www.chauvetprofessional.eu">www.chauvetprofessional.eu</a>
<b>Chauvet Mexico</b>	
Address: Av. de las Partidas 34 - 3B (Entrance by Calle 2) Zona Industrial Lerma Lerma, Edo. de México, CP 52000 Voice: +52 (728) 690-2010	Email: <a href="mailto:servicio@chauvet.com.mx">servicio@chauvet.com.mx</a>  Website: <a href="http://www.chauvetprofessional.mx">www.chauvetprofessional.mx</a>

Visit the applicable website above to verify our contact information and instructions to request support. Outside the U.S., United Kingdom, Ireland, Mexico, France, Germany, or Benelux, contact the dealer of record.