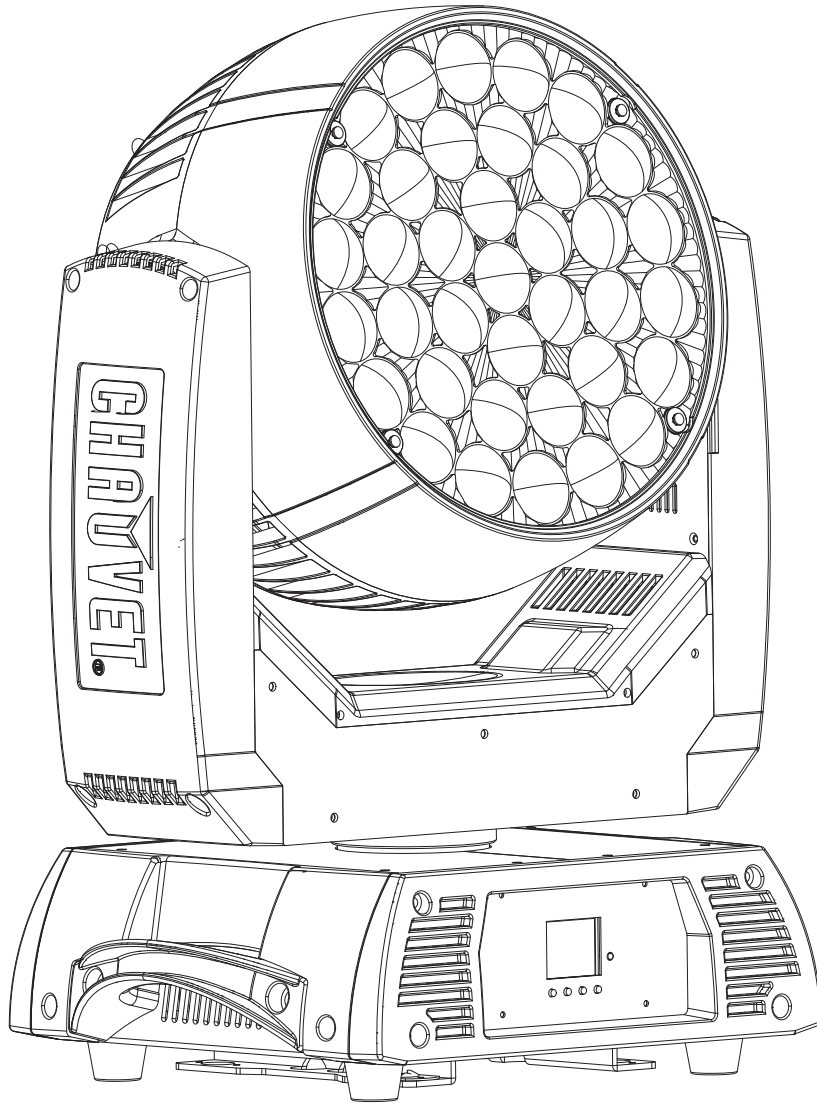


# ROGUE R3

WASH

## User Manual



**CHAUVET**  
PROFESSIONAL

TABLE OF CONTENTS

<b>1. Edition Notes .....</b>	<b>1</b>
Trademarks .....	1
Copyright Notice.....	1
Manual Use.....	1
Document Printing.....	1
Intended Audience .....	1
Disclaimer .....	1
Document Revision .....	1
<b>2. Before You Begin .....</b>	<b>2</b>
What Is Included .....	2
Claims .....	2
Manual Conventions .....	2
Symbols .....	2
Safety Notes.....	3
Personal Safety.....	3
Mounting and Rigging .....	3
Power and Wiring.....	3
Operation .....	3
Expected LED Lifespan.....	3
<b>3. Introduction .....</b>	<b>4</b>
Description .....	4
Features.....	4
Product Overview.....	5
Product Dimensions .....	6
<b>4. Setup .....</b>	<b>7</b>
AC Power .....	7
AC Plug.....	7
Fuse Replacement.....	7
Power Linking.....	7
DMX Linking.....	8
DMX Personalities.....	8
Mounting .....	9
Orientation.....	9
Rigging .....	9
Procedure.....	9
<b>5. Operation .....</b>	<b>10</b>
Control Panel Operation.....	10
Control Options .....	10
Programming.....	10
Menu Map .....	10
Address .....	13
Run Mode.....	13
DMX Personality .....	13
Auto Test.....	13
Manual Test .....	13
Setup.....	13
Tilt Reverse .....	13
Zoom Reverse.....	13
Pan Angle.....	14
Tilt Angle .....	14

## TABLE OF CONTENTS

---

X/Y Mode .....	14
Fans .....	14
Display .....	14
Screen Reverse .....	14
Dimmer Curve .....	14
Dimmer Speed .....	14
Color Calibration .....	14
Reset Function .....	15
Factory Reset Function .....	15
System Information .....	15
Offset Mode.....	15
Pan.....	15
Tilt .....	15
DMX Value .....	16
<b>6. Technical Information .....</b>	<b>43</b>
Product Maintenance .....	43
<b>7. Technical Specifications .....</b>	<b>44</b>
<b>8. Returns.....</b>	<b>45</b>
<b>9. Contact Us .....</b>	<b>46</b>

## 1. EDITION NOTES

The Rogue R3 Wash User Manual includes a description, safety precautions, installation, programming, operation and maintenance instructions for the Rogue R3 Wash as of the release date of this edition.

### Trademarks

CHAUVET, the Chauvet logo and Rogue R3 Wash are registered trademarks or trademarks of Chauvet & Sons, LLC (d/b/a Chauvet and Chauvet Lighting) in the United States and other countries. Other company and product names and logos referred to herein may be trademarks of their respective companies.

### Copyright Notice

The works of authorship contained in this manual, including, but not limited to, all design, text and images are owned by Chauvet.

© Copyright 2021 Chauvet & Sons, LLC. All rights reserved.

Electronically published by Chauvet in the United States of America.

### Manual Use

Chauvet authorizes its customers to download and print this manual for professional information purposes only. Chauvet expressly prohibits the usage, copy, storage, distribution, modification, or printing of this manual or its content for any other purpose without written consent from Chauvet.

### Document Printing

For best results, print this document in color, on letter size paper (8.5 x 11 in), double-sided. If using A4 paper (210 x 297 mm), configure the printer to scale the content accordingly.

### Intended Audience

Any person installing, operating, and/or maintaining this product should completely read through the guide that shipped with the product, as well as this manual, before installing, operating, or maintaining this product.

### Disclaimer

Chauvet believes that the information contained in this manual is accurate in all respects. However, Chauvet assumes no responsibility and specifically disclaims any and all liability to any party for any loss, damage or disruption caused by any errors or omissions in this document, whether such errors or omissions result from negligence, accident or any other cause. Chauvet reserves the right to revise the content of this document without any obligation to notify any person or company of such revision, however, Chauvet has no obligation to make, and does not commit to make, any such revisions. Download the latest version from [www.chauvetprofessional.com](http://www.chauvetprofessional.com)

### Document Revision

This Rogue R3 Wash User Manual is the 4<sup>th</sup> edition of this document. Go to [www.chauvetprofessional.com](http://www.chauvetprofessional.com) for the latest version.

## 2. BEFORE YOU BEGIN

### What Is Included

- Rogue R3 Wash
- Neutrik® powerCON® power cord
- Omega bracket with mounting hardware
- Quick Reference Guide

### Claims

Carefully unpack the product immediately and check the container to make sure all the parts are in the package and are in good condition.





If the box or the contents (the product and included accessories) appear damaged from shipping, or show signs of mishandling, notify the carrier immediately, not Chauvet. Failure to report damage to the carrier immediately may invalidate your claim. In addition, keep the box and contents for inspection.

For other issues, such as missing components or parts, damage not related to shipping, or concealed damage, file a claim with Chauvet within 7 days of delivery.

### Manual Conventions

Convention	Meaning
1–512	A range of values
50/60	A set of values of which only one can be chosen
<SET>	A button on the product’s control panel
Settings	A product function or a menu option

### Symbols

Symbol	Meaning
	Electrical warning. Not following these instructions may cause electrical damage to the product, accessories, or the user.
	Critical installation, configuration, or operation information. Not following these instructions may make the product not work, cause damage to the product, or cause harm to the operator.
	Important installation or configuration information. The product may not function correctly if this information is not used.
	Useful information.



**Any reference to data or power connections in this manual assumes the use of Seetronic IP rated cables.**



**The term “DMX” used throughout this manual refers to the USITT DMX512-A digital data transmission protocol.**

## Safety Notes

Read all the following safety notes before working with this product. These notes contain important information about the installation, usage, and maintenance of this product.



**This product contains no user-serviceable parts. Any reference to servicing in this User Manual will only apply to properly trained, certified technicians. Do not open the housing or attempt any repairs.**



**All applicable local codes and regulations apply to proper installation of this product.**

## Personal Safety

- Avoid direct eye exposure to the light source while the product is on.
- Always disconnect the product from the power source before cleaning or replacing the fuse.
- Always connect the product to a grounded circuit to avoid the risk of electrocution.
- Do not touch the product's housing when operating because it may be very hot.

## Mounting and Rigging

- This product is for indoor use only! To prevent risk of fire or shock, do not expose this product to rain or moisture. (IP20).
- CAUTION: When transferring product from extreme temperature environments, (e.g., cold truck to warm, humid ballroom) condensation may form on the internal electronics of the product. To avoid causing a failure, allow product to fully acclimate to the surrounding environment before connecting it to power.
- Mount this product in a location with adequate ventilation, at least 20 in (50 cm) from adjacent surfaces.
- Make sure there are no flammable materials close to the product when operating.
- Always carry this product by the handles. Do not carry from the head.
- When hanging this product, always secure to a fastening device using a safety cable.

## Power and Wiring

- Always make sure you are connecting the product to the proper voltage in accordance with the specifications in this manual or on the product's specification label.
- Never connect the product to a dimmer pack or rheostat.
- Never disconnect this product by pulling or tugging on the power cable.

## Operation

- Do not operate this product if there is damage on the housing, lenses, or cables. Have the damaged parts replaced by an authorized technician at once.
- Do not cover the ventilation slots when operating to avoid internal overheating.
- The maximum ambient temperature is 113 °F (45 °C). Do not operate the product at higher temperatures.
- In the event of a serious operation problem, stop using this product immediately!



**If your Chauvet product requires service, contact Chauvet Technical Support.**

## Expected LED Lifespan

Over time, use and heat will gradually reduce LED brightness. Clustered LEDs produce more heat than single LEDs, contributing to shorter lifespans if always used at full intensity. The average LED lifespan is 40,000 to 50,000 hours. To extend LED lifespan, maintain proper ventilation around the product, and limit the overall intensity.

## 3. INTRODUCTION

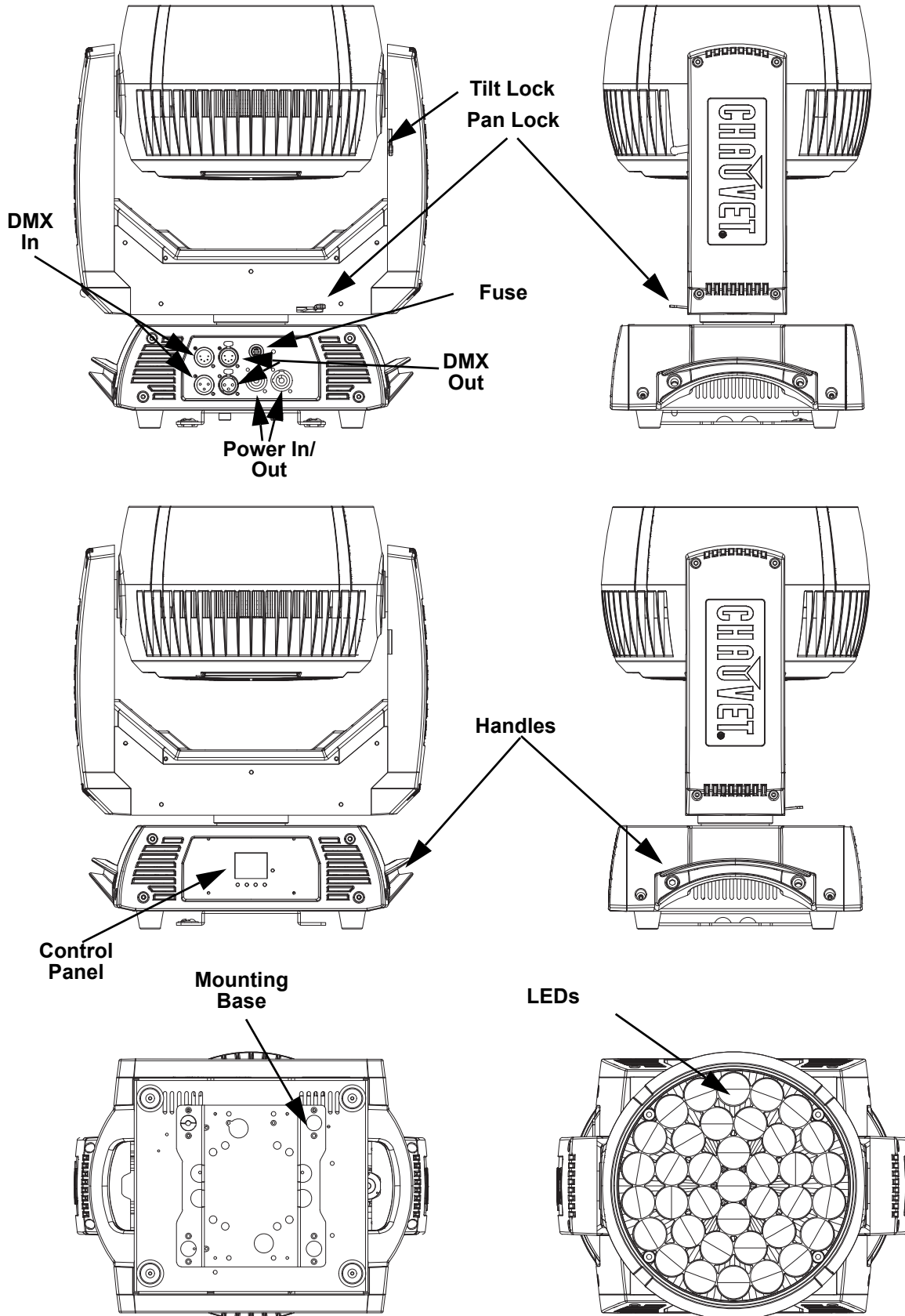
### Description

Rogue R3 Wash is an ideal moving wash workhorse for rental and production inventories. Durable and dependable, it outputs a bright, evenly dispersed light and offers nine zones of LED control to pixel map its 37 (15 W) RGBW quad-LEDs. A quick moving zoom range of 9.3° – 62.6° gives it the spread to cover even the largest areas. Smooth color mixing, simple and complex DMX channel profiles, and powerCON in and out round out the excellent features of this outstanding moving wash

### Features

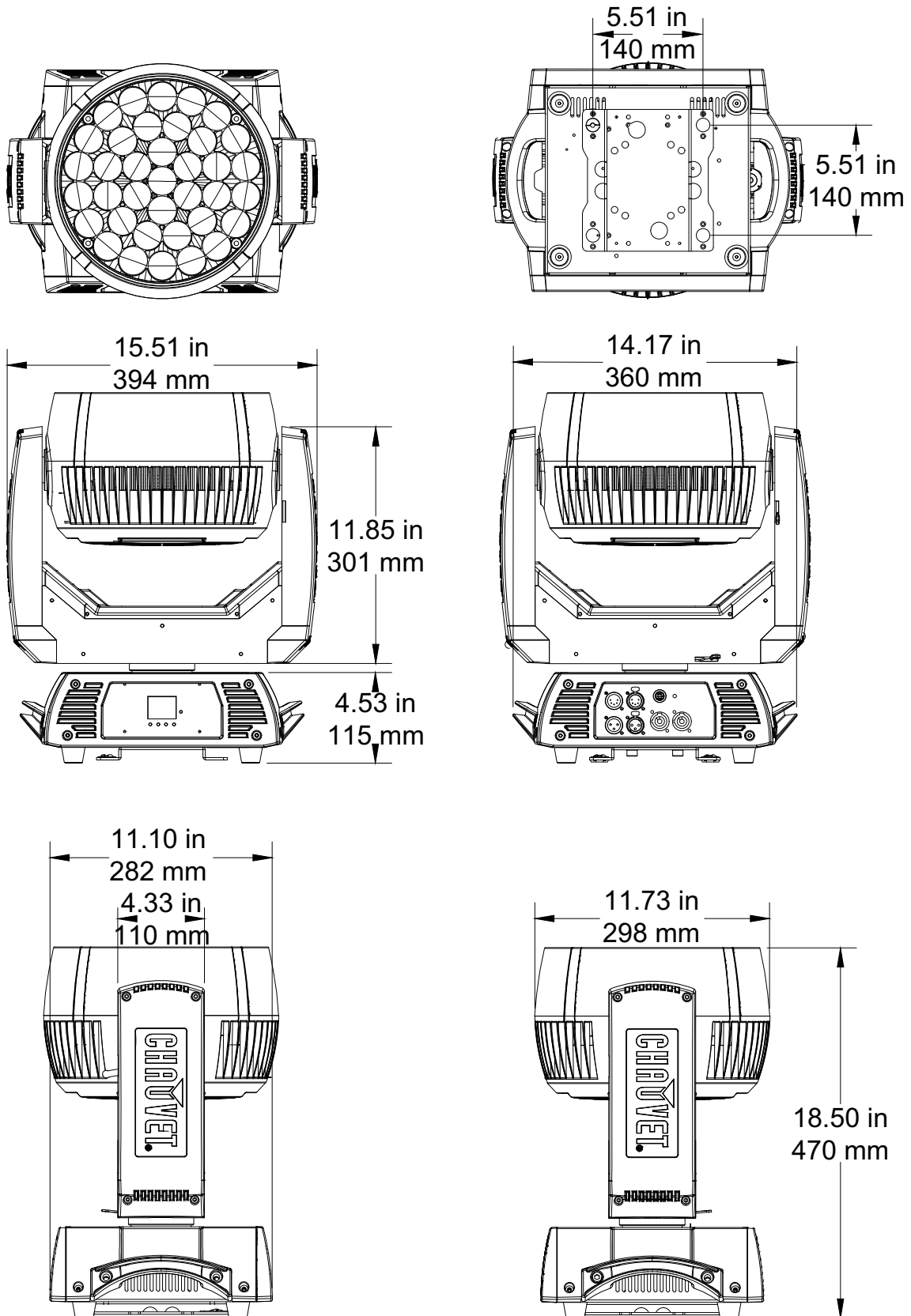
- Fully featured RGBW LED yoke wash fixture with LED zone control and zoom
- 21, 62, 71 or 107-channel quad-color LED wash product
- 16-bit Dimming of master dimmer as well as individual colors for smooth control of fades
- 37 RGBW LEDs, 15 W each
- 9 zones of LED control for pixel mapping effects
- Unique lens design offers excellent color mixing
- 6 distinct dimming modes for different dimming needs
- Easy to read OLED display with simple, effective menu options
- Simple and complex DMX channel profiles for programming versatility
- RDM (Remote Device Management) for added programming flexibility

**Product Overview**





### Product Dimensions



## 4. SETUP

### AC Power

Each Rogue R3 Wash has an auto-ranging power supply that works with an input voltage range of 100 to 240 VAC, 50/60 Hz. To determine the power requirements for each Rogue R3 Wash, refer to the label affixed to the product. You can also refer to the Technical Specifications chart in this manual.

The listed current rating indicates the maximum current draw during normal operation. For more information, download Sizing Circuit Breakers from the Chauvet website: [www.chauvetprofessional.com](http://www.chauvetprofessional.com).



- **Always connect the product to a protected circuit (circuit breaker or fuse). Make sure the product has an appropriate electrical ground to avoid the risk of electrocution or fire.**
- **To eliminate unnecessary wear and improve its lifespan, during periods of non-use completely disconnect the product from power via breaker or by unplugging it.**



**Never connect the product to a rheostat (variable resistor) or dimmer circuit, even if the rheostat or dimmer channel serves only as a 0 to 100% switch.**

### AC Plug

The Rogue R3 Wash comes with a power input cord terminated with a Neutrik® powerCON® connector on one end and an Edison plug on the other end (U.S. market). If the power input cord that came with your product has no plug, or if you need to change the plug, use the table below to wire the new plug.

Connection	Wire (U.S.)	Wire (Europe)	Screw Color
AC Live	Black	Brown	Yellow or Brass
AC Neutral	White	Blue	Silver
AC Ground	Green/Yellow	Green/Yellow	Green

### Fuse Replacement

1. Disconnect this product from the power outlet.
2. Using a flat-head screwdriver, unscrew the fuse holder cap from the housing.
3. Remove the blown fuse and replace with another fuse of the same type and rating.
4. Screw the fuse holder cap back in place and reconnect power.

### Power Linking

The product supports power linking. You can power link up to 2 products at 120 V; up to 4 at 208 V; or up to 4 at 230 V.

This product comes with a power input cord. Power linking cables are available from Chauvet for purchase.

## DMX Linking

You can link the Rogue R3 Wash to a DMX controller using a 3- or 5-pin DMX connection. If using other DMX-compatible products with this product, you can control each individually with a single DMX controller.

### DMX Personalities

The Rogue R3 Wash uses a 3- or 5-pin DMX data connection for the 21-, 62-, 71- and 107-channel DMX personalities.

- Refer to the Introduction for a brief description of each DMX personality.
- Refer to the Operation chapter to learn how to configure the Rogue R3 Wash to work in these personalities.
- The DMX Values section provides detailed information regarding the DMX personalities.



**If you are not familiar with or need more information about DMX standards, Master/Slave connectivity, or the DMX cables needed to link this product to a DMX controller, download the DMX Primer from the Chauvet website:**  
[www.chauvetprofessional.com](http://www.chauvetprofessional.com).

## Remote Device Management (RDM)

Remote Device Management, or RDM, is a standard for allowing DMX-enabled devices to communicate bi-directionally along existing DMX cabling. Check the DMX controller's User Manual or with the manufacturer as not all DMX controllers have this capability. The Rogue R3 Wash supports RDM protocol that allows feedback to make changes to menu map options.

## Mounting

Before mounting the product, read and follow the safety recommendations indicated in the Safety Notes. For our CHAUVET Professional line of mounting clamps, go to <http://trusst.com/products/>.

## Orientation

Always mount this product in a safe position, making sure there is adequate room for ventilation, configuration, and maintenance.

## Rigging

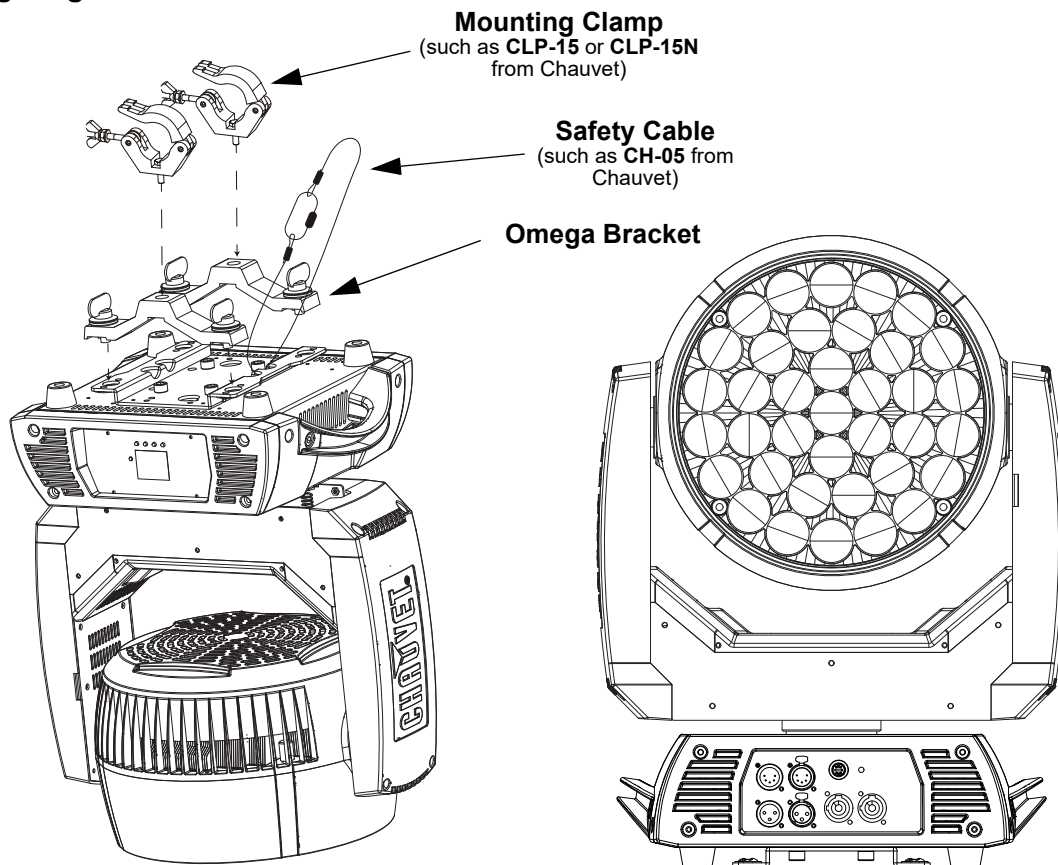
Chauvet recommends using the following general guidelines when mounting this product.

- Before deciding on a location for the product, make sure there is easy access to the product for maintenance and programming purposes.
- Make sure that the structure onto which you are mounting the product can support the product's weight. See the [Technical Specifications](#) for weight information.
- When mounting the product overhead, always use a safety cable. Mount the product securely to a rigging point, whether an elevated platform or a truss.
- When rigging the product onto a truss, use a mounting clamp of appropriate weight capacity.
- When power linking multiple products, mount the products close enough for power linking cables to reach.
- The bracket adjustment knobs allow for directional adjustment when aiming the product to the desired angle. Only loosen or tighten the bracket knobs manually. Using tools could damage the knobs.

## Procedure

The Rogue R3 Wash comes with a preinstalled mounting surface to which you will be able to attach the included omega bracket. Make sure the clamps are capable of supporting the weight of this product. Use at least 2 mounting points per product. In addition, use a safety cable to link the product to the structure. For the CHAUVET Professional line of mounting clamps, go to <http://www.trusst.com/products>.

## Mounting Diagram



## 5. OPERATION

### Control Panel Operation

Button	Function
<MENU>	Exits from the current menu or function
<ENTER>	Enables the currently displayed menu or sets the currently selected value in to the current function
<UP>	Navigates upward through the menu list or increases the numeric value when in a function
<DOWN>	Navigates downward through the menu list or decreases the numeric value when in a function

### Control Options

Set the Rogue R3 Wash starting address in the 001-512 DMX range. This enables control of up to 4 products in the 107-channel 107 personality.

### Programming

Refer to the Menu Map to understand the menu options. The menu map shows the main level and a variable number of programming levels for each option.

- To go to the desired main level, press <MENU> repeatedly until the option shows on the display. Press <ENTER> to select. This will take you to the first programming level for that option.
- To select an option or value within the current programming level, press <UP> or <DOWN> until the option shows on the display. Press <ENTER> to select. In this case, if there is another programming level, you will see that first option, or you will see the selected value.
- Press <MENU> repeatedly to exit to the previous main level.

### Menu Map

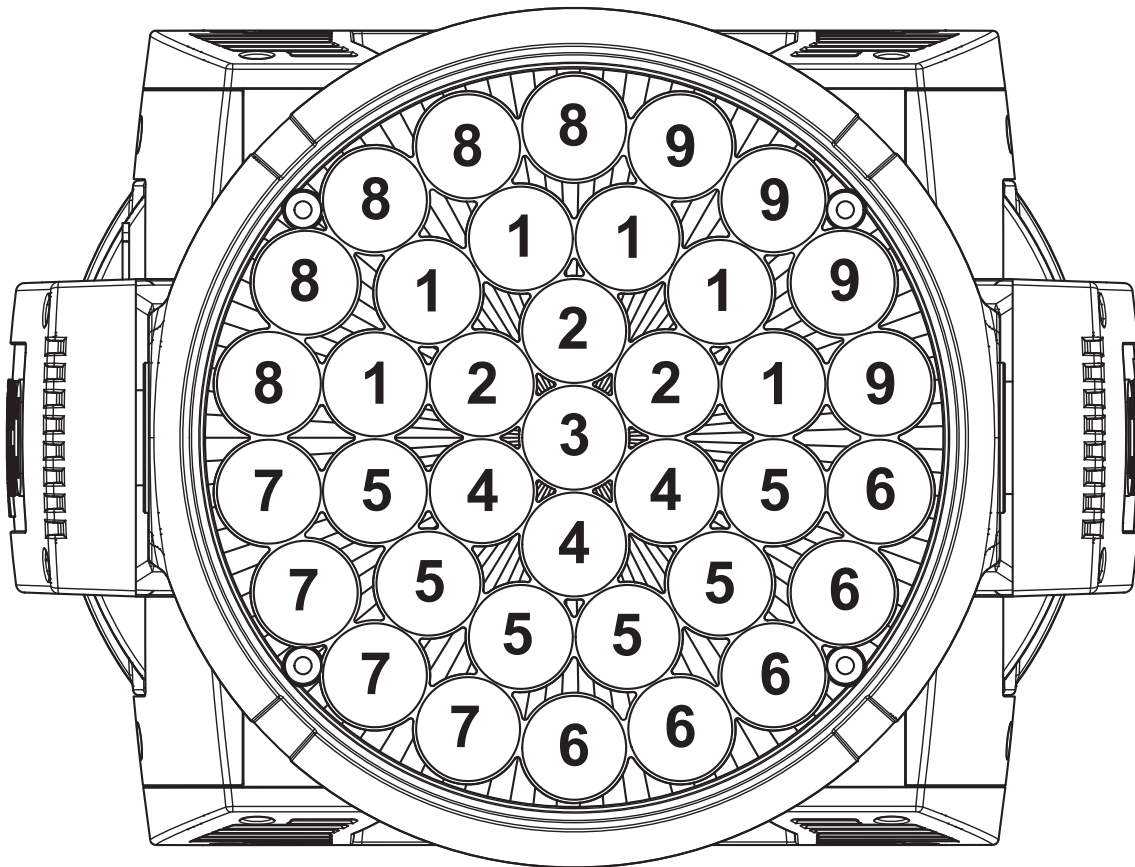
Refer to the Rogue R3 Wash product page on [www.chauvetprofessional.com](http://www.chauvetprofessional.com) for the latest menu map.

Main Level	Programming Levels		Description	
Address	001-512		Sets the DMX starting address	
Running Mode	DMX	21	Selects the DMX mode	
		62		
		71		
		107		
	Auto Test		Runs the product's test sequence	
	Manual Test	Pan	000-255	Allows manual control of all settings from the control panel
		Tilt		
		P/T Speed		
		Red		
		Green		
		Blue		
		White		
		CTC		
		Color Pattern		
LED Macro				
LED Ma. Speed				
LED Ma. Fade				
Background				
Background Dim.				
Dimmer				
Shutter				
Zoom				

Main Level	Programming Levels			Description
Setup	Pan Reverse	OFF		Reverse pan operation
		ON		Normal pan operation
	Tilt Reverse	OFF		Reverse tilt operation
		ON		Normal tilt operation
	Zoom Reverse	OFF		Reverse zoom operation
		ON		Normal zoom operation
	Pan Angle	540		Selects the 540° pan angle range
		360		Selects the 360° pan angle range
		180		Selects the 180° pan angle range
	Tilt Angle	230		Selects the 230° tilt angle range
		180		Selects the 180° tilt angle range
		90		Selects the 90° tilt angle range
	XY Mode	Fast		Sets pan/tilt speed
		Slow		
	Fans	Auto		Selects the fan's operation mode
		ECO		
		Full		
	Display	OFF		Determines how long the backlight of the display will stay on after last command button pressed
		ON		
	Screen Rev	OFF		Normal control screen view
		ON		Rotates control screen view 180°
	C Mixing Mode	RGBW		Product mixes color using the RGBW method
		CMY		Product mixes color using the CMY method
	Dimmer Curve	Linear		Liner dimmer
		Square		Square curve dimmer
		I Squa		Reverse square curve dimmer
		Scurve		S curve dimmer
	Dimmer Speed	Smooth		Slow (Smooth) or fast (Fast) dimmer curves
Fast				
Color calibration	ON		Max. output when RGBW DMX channels are at full	
	OFF		Factory calibrated color temperature when RGBW DMX channels are at full	
	Custom	RED	100-255	Manual calibration of color temperature when RGBW DMX channels are at full
GREEN				
BLUE				
Reset Function	Pan/Tilt	Yes		Resets pan/tilt functions to the home position
		No		
	Zoom	Yes		Resets all Zoom functions to the home position
		No		
	All	Yes		Resets all functions to the home position
		No		
Factory Reset	Yes		Reverts the product back to the original factory settings	
	No			

Main Level	Programming Levels	Description
Sys Info	Ver	Displays the software version
	Running Mode	Displays the current running mode
	DMX Address	Displays the current DMX address
	Temperature	Displays the product's temperature in Celsius
	Fixture Time	Displays the product's total time running
	UID	Shows product UID

### Rogue R2 Wash Zone Selection for DMX Control





## Address

This programming level sets the DMX starting address. In this mode, each product will respond to a unique starting address from the DMX controller. All products with the same starting address will respond in unison. This option sets the products DMX address.

1. Starting from the Main Level screen, select **Address**, press **<ENTER>**.
2. Select the starting address (**001–512**), press **<ENTER>**.

## Run Mode

This programming level sets the DMX personality and controls the different test modes.

- Starting from the Main Level screen, select **Running Mode**, press **<ENTER>**.

## DMX Personality

This setting allows you to choose a particular DMX personality.

1. Highlight **DMX**, press **<ENTER>**.
2. Select the DMX personality **21**, **62**, **71**, or **107** press **<ENTER>**..



- See the [DMX Value](#) section for the highest starting address you can select for each personality.
- Make sure that the starting addresses on the various products do not overlap due to the new personality setting.

## Auto Test

This option runs every attribute individually through 1 cycle.

- Highlight **Auto Test**, press **<ENTER>**.



- The Auto Test will end after 1 full cycle. You can stop the test by pressing **<MENU>** at any time

## Manual Test

This option allows you to run each attribute individually or as a group.

1. Highlight **Manual Test**, press **<ENTER>**.
2. Highlight the desired attribute listed on the control panel screen, press **<ENTER>**.
3. Set the attribute value (**000–255**), press **<ENTER>**.
4. Repeat step 2 for the other attributes.



- When exiting the Manual Test level, the values of all tested channels will revert to zero.

## Setup

This programming level controls the product's head movement, display, dimming, and fan adjustments.

- Starting from the Main Level screen, select **Setup**, press **<ENTER>**.

### Pan Reverse

Reverses the operation of the pan attribute.

1. Highlight **Pan Reverse**, press **<ENTER>**.
2. Select **OFF** or **ON**, press **<ENTER>**

### Tilt Reverse

Reverses the operation of the tilt attribute.

1. Highlight **Tilt Reverse**, press **<ENTER>**.
2. Select **OFF** or **ON**, press **<ENTER>**

### Zoom Reverse

Reverses the operation of the tilt attribute.

1. Highlight **Tilt Reverse**, press **<ENTER>**.
2. Select **OFF** or **ON**, press **<ENTER>**



## OPERATION

---

### Pan Angle

This option assigns pan range.

1. Highlight **Pan Angle**, press <ENTER>.
2. Select **540**, **360**, or **180**, press <ENTER>.

### Tilt Angle

This option assigns tilt range.

1. Highlight **Tilt Angle**, press <ENTER>.
2. Select **90**, **180**, or **230**, press <ENTER>.

### X/Y Mode

This option assigns tilt range.

1. Highlight **Fast** or **Slow** press <ENTER>.
2. Select **90**, **180**, or **230**, press <ENTER>.

### Fans

This option allows you to choose a fan mode. **AUTO** mode controls the fan speed based on the temperature of the LED's. In **ECO** mode, fans will stay as quiet as possible and allow the output of the LEDs to decrease by about 20% over time depending on the ambient temperature. As the ambient temperature increases, the output of the LEDs will decrease. In **Full** mode, the fans are on all the time at the highest speed.

1. Highlight **Fans**, press <ENTER>.
2. Select **Auto**, **ECO**, or **Full**, press <ENTER>.

### Display

Determines whether or not the backlight of the display will stay on after last command button pressed.

1. Highlight **Display**, press <ENTER>.
2. Select **OFF** or **ON**, press <ENTER>.

### Screen Reverse

To invert the control panel screen:

1. Highlight **Screen Rev**, press <ENTER>.
2. Select **YES** or **NO**, press <ENTER>.

### Dimmer Curve

This option allows you to choose a dimmer curve mode. **Linear** mode follows the speed of the user controlling the fader when it is brought down to a "0" value. In **Square** mode the dimmer follows a square dimming curve when the fader is brought to a "0" value. In **I Square** mode the dimmer follows a square dimming curve in reverse when the fader is brought to a "0" value. In **SCurve** mode, the dimmer follows a square dimming curve when the fader is brought to a "0" value.

1. Highlight **Dimming Curve**, press <ENTER>.
2. Select **Linear**, **Square**, **I Square**, or **SCurve**, press <ENTER>.

### Dimmer Speed

This option sets the speed of the **Dimmer Curve** menu option.

1. Highlight **Dimmer Speed**, press <ENTER>.
2. Select **Smooth** or **Fast**, press <ENTER>.

### Color Calibration

This programming level allows the user to set what each of the RGBW DMX channels down set to a "255" value.

- Starting from the **Setup** screen level, select **Color calibration**, press <ENTER>.

### Factory calibration

This option chooses to set the color temperature calibration to **Off** or **On**. When RGBW DMX channels are at full, setting to **Off** sets the fader to Max. output on each of the RGBW DMX Channels or to **On** which uses the factory calibrated color temperature.

- Highlight **On** or **Off**, press <ENTER>.

## Custom Calibration

Choosing **Custom** allows manual calibration of the RGBW DMX Channels.

1. Highlight **Custom**, press **<ENTER>**.
2. Select **RED**, **GREEN**, or **BLUE**, press **<ENTER>**.
3. Set the color value (**100–255**), press **<ENTER>**.
4. Repeat step 2 for the other colors.

## Reset Function

This programming level allows the user to reset individual functions to the home position.

- Starting from the **Setup** screen level, select **Reset Function**, press **<ENTER>**.

### Pan/Tilt Reset

This option resets the Pan/Tilt functions to the home position.

1. Highlight **Pan/Tilt**, press **<ENTER>**.
2. Select **YES** or **NO**, press **<ENTER>**.

### Zoom Reset

This option resets the Zoom function to the home position.

1. Highlight **Zoom**, press **<ENTER>**.
2. Select **YES** or **NO**, press **<ENTER>**.

### All Reset

This option resets the all the functions to the home position.

1. Highlight **All**, press **<ENTER>**.
2. Select **YES** or **NO**, press **<ENTER>**.

## Factory Reset Function

This reverts the product back to its original factory settings.

- Starting from the **Setup** screen level, select **Factory Settings**, press **<ENTER>**.

## System Information

This programming level shows standard information regarding the product's operating status. Starting from the Main Level screen, select **Sys Info**, press **<ENTER>**.

- **Ver:** The current software version is displayed on the screen.
- **Running Mode:** The current Running mode is displayed on the screen.
- **DMX Address:** The current DMX address is displayed on the screen.
- **Temperature:** The current product temperature is displayed on the screen.
- **Fixture Time:** The product's total running time.

## Offset Mode

The Offset mode provides fine adjustments for the home position of all the moving parts in the optical path as well as the pan and tilt movements. This way, when in their home position, the moving parts do not show any border or reduce the light output.

1. Starting from the Main Level screen, press and hold **<MENU>** until the passcode screen appears.
2. Using **<UP>** to increase the number value and **<DOWN>** to move to the next column, enter **2323**, press **<ENTER>**. This brings you into the Zero Adjust menu screen.

### Pan

1. Highlight **PAN**, press **<ENTER>**.
2. Select **000–255**, press **<ENTER>**.

### Tilt

1. Highlight **TILT**, press **<ENTER>**.
2. Select **000–255**, press **<ENTER>**.

**DMX Value**

107	Channel	Function	Value	Percent/Setting
	1	Pan	000 ⇔ 255	0-100%
	2	Fine Pan	000 ⇔ 255	Fine control (16-bit)
	3	Tilt	000 ⇔ 255	0-100%
	4	Fine Tilt	000 ⇔ 255	Fine control (16-bit)
	5	Pan/Tilt Speed	000 ⇔ 255	0-100%
	6	Dimmer	000 ⇔ 255	0-100%
	7	Fine Dimmer	000 ⇔ 255	Fine control (16-bit)
	8	Shutter	000 ⇔ 019	off
			020 ⇔ 024	on
			025 ⇔ 064	strobe 1 with decreasing speed
			065 ⇔ 069	on
			070 ⇔ 084	strobe 2 (fast on slow off) with decreasing speed
			085 ⇔ 089	on
			090 ⇔ 104	strobe 3 (slow on fast off) with decreasing speed
			105 ⇔ 109	on
			110 ⇔ 124	strobe 4 (random strobe) with decreasing speed
			125 ⇔ 129	on
			130 ⇔ 144	strobe 5 (random fast on slow off) with decreasing speed
			145 ⇔ 149	on
			150 ⇔ 164	strobe 6 (random slow on fast off) with decreasing speed
			165 ⇔ 169	on
			170 ⇔ 184	strobe 7 (pulse strobe) with decreasing speed
			185 ⇔ 189	on
	190 ⇔ 204	strobe 8 (random pulse strobe) with decreasing speed		
	205 ⇔ 209	on		
	210 ⇔ 224	strobe 9 (fade on or off) with decreasing speed		
	225 ⇔ 229	on		
	230 ⇔ 244	strobe 10 (pulse strobe) with decreasing speed		
	245 ⇔ 255	on		
	9	CTC	000	No function
			001 ⇔ 255	2800 to 10,000 K
	10	Color	000	No function
			001 ⇔ 002	2700K R:156 G: 118 B: 0 W: 63
			003 ⇔ 004	3200K R:156 G: 141 B: 5 W: 89
			005 ⇔ 006	4200K R:156 G: 141 B: 14 W: 255
			007 ⇔ 008	5600K R:156 G: 207 B: 54 W: 255
			009 ⇔ 010	8000K R:130 G: 255 B: 96 W: 255
			11	Blue R: 0 G: 0 B: 255 W: 0
			012 ⇔ 048	R: 0 G: + B: 255 W: 0
			049	Cyan R: 0 G: 255 B: 255 W: 0
			050 ⇔ 086	R: 0 G: 255 B: - W: 0
			087	Green R: 0 G: 255 B: 0 W: 0
			088 ⇔ 124	R: + G: 255 B: 0 W: 0
			125	Yellow R: 255 G: 255 B: 0 W: 0
			126 ⇔ 162	R: 255 G: - B: 0 W: 0
			163	Red R: 255 G: 0 B: 0 W: 0
			164 ⇔ 200	R: 255 G: 0 B: + W: 0
			201	Magenta R: 255 G: 0 B: 255 W: 0
			202 ⇔ 238	R: - G: 0 B: 255 W: 0
			239	Blue R: 0 G: 0 B: 255 W: 0
			240 ⇔ 247	Color change, fast to slow
	248 ⇔ 255	Color jump, fast to slow		

107	Channel	Function	Value	Percent/Setting
			000 ⇄ 003	No function
			004 ⇄ 006	Gobo 1
			007 ⇄ 009	Gobo 2
			010 ⇄ 012	Gobo 3
			013 ⇄ 015	Gobo 4
			016 ⇄ 018	Gobo 5
			019 ⇄ 021	Gobo 6
			022 ⇄ 024	Gobo 7
			025 ⇄ 027	Gobo 8
			028 ⇄ 030	Gobo 9
			031 ⇄ 033	No Gobo
			034 ⇄ 036	Gobo 10
			037 ⇄ 039	Gobo 11
			040 ⇄ 042	Gobo 12
			043 ⇄ 045	Gobo 13
			046 ⇄ 048	Gobo 14
			049 ⇄ 051	Gobo 15
			052 ⇄ 054	Gobo 16
			055 ⇄ 057	Gobo 17
			058 ⇄ 060	Gobo 18
			061 ⇄ 063	Gobo 19
			064 ⇄ 066	Gobo 20
			067 ⇄ 069	Gobo 21
			070 ⇄ 072	Gobo 22
			073 ⇄ 075	Gobo 23
			076 ⇄ 078	Gobo 24
			079 ⇄ 081	Gobo 25
			082 ⇄ 084	Gobo 26
			085 ⇄ 087	Gobo 27
			088 ⇄ 090	Gobo 28
			091 ⇄ 093	Gobo 29
	11	Gobo	094 ⇄ 096	Gobo 30
			097 ⇄ 099	Gobo 31
			100 ⇄ 102	Gobo 32
			103 ⇄ 105	Gobo 33
			106 ⇄ 108	Gobo 34
			109 ⇄ 111	Gobo 35
			112 ⇄ 114	Gobo 36
			115 ⇄ 117	Gobo 37
			118 ⇄ 120	Gobo 38
			121 ⇄ 123	Gobo 39
			124 ⇄ 126	Gobo 40
			127 ⇄ 129	Gobo 41
			130 ⇄ 132	Gobo 42
			133 ⇄ 135	Gobo 43
			136 ⇄ 138	Gobo 44
			139 ⇄ 141	Gobo 45
			142 ⇄ 144	Gobo 46
			145 ⇄ 147	Gobo 47
			148 ⇄ 150	Gobo 48
			151 ⇄ 153	Gobo 49
			154 ⇄ 156	Gobo 50
			157 ⇄ 159	Gobo 51
			160 ⇄ 162	Gobo 52
			163 ⇄ 165	Gobo 53
			166 ⇄ 168	Gobo 54
			169 ⇄ 171	Gobo 55
			172 ⇄ 174	Gobo 56
			175 ⇄ 177	Gobo 57
			178 ⇄ 180	Gobo 58
			181 ⇄ 183	Gobo 59
			184 ⇄ 186	Gobo 60
			187 ⇄ 189	Gobo 61
			190 ⇄ 192	Gobo 62

107	Channel	Function	Value	Percent/Setting			
11		Gobo	193 ⇄ 195	Gobo 63			
			196 ⇄ 198	Gobo 64			
			199 ⇄ 201	Gobo 65			
			202 ⇄ 204	Gobo 66			
			205 ⇄ 207	Gobo 67			
			208 ⇄ 210	Gobo 68			
			211 ⇄ 213	Gobo 69			
			214 ⇄ 216	Gobo 70			
			217 ⇄ 219	Gobo 71			
			220 ⇄ 222	Gobo 72			
			223 ⇄ 225	Gobo 73			
			226 ⇄ 228	Gobo 74			
			229 ⇄ 231	Gobo 75			
			232 ⇄ 234	Gobo 76			
			235 ⇄ 237	Gobo 77			
			238 ⇄ 240	Gobo 78			
			241 ⇄ 243	Gobo 79			
			244 ⇄ 246	Gobo 80			
			247 ⇄ 249	Gobo 81			
			250 ⇄ 252	Gobo 82			
			253 ⇄ 255	Gobo 83			
			12		LED Built-in	001 ⇄ 015	No function
						016 ⇄ 017	Built-in 1
						018 ⇄ 019	Built-in 2
						020 ⇄ 021	Built-in 3
						022 ⇄ 023	Built-in 4
						024 ⇄ 025	Built-in 5
						026 ⇄ 027	Built-in 6
						028 ⇄ 029	Built-in 7
						030 ⇄ 031	Built-in 8
						032 ⇄ 033	Built-in 9
						034 ⇄ 035	Built-in 10
						036 ⇄ 037	Built-in 11
						038 ⇄ 039	Built-in 12
						040 ⇄ 041	Built-in 13
						042 ⇄ 043	Built-in 14
						044 ⇄ 045	Built-in 15
046 ⇄ 047	Built-in 16						
048 ⇄ 049	Built-in 17						
050 ⇄ 051	Built-in 18						
052 ⇄ 053	Built-in 19						
054 ⇄ 055	Built-in 20						
056 ⇄ 057	Built-in 21						
058 ⇄ 059	Built-in 22						
060 ⇄ 061	Built-in 23						
062 ⇄ 063	Built-in 24						
064 ⇄ 065	Built-in 25						
066 ⇄ 067	Built-in 26						
068 ⇄ 069	Built-in 27						
070 ⇄ 071	Built-in 28						
072 ⇄ 073	Built-in 29						
074 ⇄ 075	Built-in 30						
076 ⇄ 077	Built-in 31						
078 ⇄ 079	Built-in 32						
080 ⇄ 081	Built-in 33						
082 ⇄ 083	Built-in 34						
084 ⇄ 085	Built-in 35						
086 ⇄ 087	Built-in 36						
088 ⇄ 089	Built-in 37						
090 ⇄ 091	Built-in 38						
092 ⇄ 093	Built-in 39						
094 ⇄ 095	Built-in 40						
096 ⇄ 097	Built-in 41						

107	Channel	Function	Value	Percent/Setting
			098 ⇄ 099	Built-in 42
			100 ⇄ 101	Built-in 43
			102 ⇄ 103	Built-in 44
			104 ⇄ 105	Built-in 45
			106 ⇄ 107	Built-in 46
			108 ⇄ 109	Built-in 47
			110 ⇄ 111	Built-in 48
			112 ⇄ 113	Built-in 49
			114 ⇄ 115	Built-in 50
			116 ⇄ 117	Built-in 51
			118 ⇄ 119	Built-in 52
			120 ⇄ 121	Built-in 53
			122 ⇄ 123	Built-in 54
			124 ⇄ 125	Built-in 55
			126 ⇄ 127	Built-in 56
			128 ⇄ 135	Built-in 57
			136 ⇄ 137	Built-in 58
			138 ⇄ 139	Built-in 59
			140 ⇄ 141	Built-in 60
			142 ⇄ 143	Built-in 61
			144 ⇄ 145	Built-in 62
			146 ⇄ 147	Built-in 63
			148 ⇄ 149	Built-in 64
			150 ⇄ 151	Built-in 65
			152 ⇄ 153	Built-in 66
			154 ⇄ 155	Built-in 67
			156 ⇄ 157	Built-in 68
			158 ⇄ 159	Built-in 69
			160 ⇄ 161	Built-in 70
			162 ⇄ 163	Built-in 71
			164 ⇄ 165	Built-in 72
	12	LED Built-in	166 ⇄ 167	Built-in 73
			168 ⇄ 169	Built-in 74
			170 ⇄ 171	Built-in 75
			172 ⇄ 173	Built-in 76
			174 ⇄ 175	Built-in 77
			176 ⇄ 177	Built-in 78
			178 ⇄ 179	Built-in 79
			180 ⇄ 181	Built-in 80
			182 ⇄ 183	Built-in 81
			184 ⇄ 185	Built-in 82
			186 ⇄ 187	Built-in 83
			188 ⇄ 189	Built-in 84
			190 ⇄ 191	Built-in 85
			192 ⇄ 193	Built-in 86
			194 ⇄ 195	Built-in 87
			196 ⇄ 197	Built-in 88
			198 ⇄ 199	Built-in 89
			200 ⇄ 201	Built-in 90
			202 ⇄ 203	Built-in 91
			204 ⇄ 205	Built-in 92
			206 ⇄ 207	Built-in 93
			208 ⇄ 209	Built-in 94
			210 ⇄ 211	Built-in 95
			212 ⇄ 213	Built-in 96
			214 ⇄ 215	Built-in 97
			216 ⇄ 217	Built-in 98
			218 ⇄ 219	Built-in 99
			220 ⇄ 221	Built-in 100
			222 ⇄ 223	Built-in 101
			224 ⇄ 225	Built-in 102
			226 ⇄ 227	Built-in 103
			228 ⇄ 229	Built-in 104

107	Channel	Function	Value	Percent/Setting				
12		LED Built-in	230 ⇔ 231	Built-in 105				
			232 ⇔ 233	Built-in 106				
			234 ⇔ 235	Built-in 107				
			236 ⇔ 237	Built-in 108				
			238 ⇔ 239	Built-in 109				
			240 ⇔ 241	Built-in 110				
			242 ⇔ 243	Built-in 111				
			244 ⇔ 245	Built-in 112				
			246 ⇔ 247	Built-in 113				
			248 ⇔ 255	Built-in 114				
13		LED Built-in Speed	001 ⇔ 127	Clockwise fast to slow				
			128	Stop				
			129 ⇔ 255	Counter-clockwise slow to fast				
14		LED Built-in Delay	000 ⇔ 255	Fast to slow				
15		Background Color Macros	000	No function				
			001 ⇔ 002	2700K	R:156	G: 118	B: 0	W: 63
			003 ⇔ 004	3200K	R:156	G: 141	B: 5	W: 89
			005 ⇔ 006	4200K	R:156	G: 141	B: 14	W: 255
			007 ⇔ 008	5600K	R:156	G: 207	B: 54	W: 255
			009 ⇔ 010	8000K	R:130	G: 255	B: 96	W: 255
			11	Blue	R: 0	G: 0	B: 255	W: 0
			012 ⇔ 048		R: 0	G: +	B: 255	W: 0
			049	Cyan	R: 0	G: 255	B: 255	W: 0
			050 ⇔ 086		R: 0	G: 255	B: -	W: 0
			087	Green	R: 0	G: 255	B: 0	W: 0
			088 ⇔ 124		R: +	G: 255	B: 0	W: 0
			125	Yellow	R: 255	G: 255	B: 0	W: 0
			126 ⇔ 162		R: 255	G: -	B: 0	W: 0
			163	Red	R: 255	G: 0	B: 0	W: 0
			164 ⇔ 200		R: 255	G: 0	B: +	W: 0
			201	Magenta	R: 255	G: 0	B: 255	W: 0
			202 ⇔ 238		R: -	G: 0	B: 255	W: 0
239	Blue	R: 0	G: 0	B: 255	W: 0			
240 ⇔ 247	Color change, fast to slow							
248 ⇔ 255	Color jump, fast to slow							
16		Background Color Dimmer	000 ⇔ 255	0-100%				
17		Background Color Fine Dimmer	000 ⇔ 255	Fine control (16-bit)				
18		Background Red	000 ⇔ 255	0-100%				
19		Background Fine Red	000 ⇔ 255	Fine control (16-bit)				
20		Background Green	000 ⇔ 255	0-100%				
21		Background Fine Green	000 ⇔ 255	Fine control (16-bit)				
22		Background Blue	000 ⇔ 255	0-100%				
23		Background Fine Blue	000 ⇔ 255	Fine control (16-bit)				
24		Background White	000 ⇔ 255	0-100%				
25		Background Fine White	000 ⇔ 255	Fine control (16-bit)				
26		Zoom	000 ⇔ 255	0-100%				

107	Channel	Function	Value	Percent/Setting
	27	Control	001 ⇔ 009	No function
			010 ⇔ 014	Pan/Tilt blackout
			015 ⇔ 019	No function
			020 ⇔ 024	RGBW color mixing (5 sec.)
			025 ⇔ 029	CMY color mixing (5 sec.)
			030 ⇔ 034	No function
			035 ⇔ 039	No function
			040 ⇔ 044	No function
			045 ⇔ 049	No function
			050 ⇔ 054	Pan reset
			055 ⇔ 059	Tilt reset
			060 ⇔ 064	Zoom reset
			065 ⇔ 069	No function
			070 ⇔ 074	All reset
			075 ⇔ 079	No function
			080 ⇔ 084	Pan/Tilt reverse
			085 ⇔ 089	Pan reverse
			090 ⇔ 094	Tilt reverse
			095 ⇔ 099	Cancel pan reverse
			100 ⇔ 104	Cancel tilt reverse
	105 ⇔ 109	Cancel pan/tilt reverse		
	110 ⇔ 114	No function		
	115 ⇔ 119	No function		
	120 ⇔ 124	Fan low speed		
	125 ⇔ 129	Fan full speed		
	130 ⇔ 134	Fan auto		
	135 ⇔ 139	Dimmer Fast mode		
	140 ⇔ 144	Dimmer Smooth mode		
	145 ⇔ 255	No function		
28	Red (Cyan)	000 ⇔ 255	0-100%	
29	Fine Red (Cyan)	000 ⇔ 255	Fine control (16-bit)	
30	Green (Magenta)	000 ⇔ 255	0-100%	
31	Fine Green (Magenta)	000 ⇔ 255	Fine control (16-bit)	
32	Blue (Yellow)	000 ⇔ 255	0-100%	
33	Fine Blue (Yellow)	000 ⇔ 255	Fine control (16-bit)	
34	White	000 ⇔ 255	0-100%	
35	Fine White	000 ⇔ 255	Fine control (16-bit)	
36	Red 1 (Cyan)	000 ⇔ 255	0-100%	
37	Fine Red 1 (Cyan)	000 ⇔ 255	Fine control (16-bit)	
38	Green 1 (Magenta)	000 ⇔ 255	0-100%	
39	Fine Green 1 (Magenta)	000 ⇔ 255	Fine control (16-bit)	
40	Blue 1 (Yellow)	000 ⇔ 255	0-100%	
41	Fine Blue 1 (Yellow)	000 ⇔ 255	Fine control (16-bit)	
42	White 1	000 ⇔ 255	0-100%	
43	Fine White 1	000 ⇔ 255	Fine control (16-bit)	
44	Red 2 (Cyan)	000 ⇔ 255	0-100%	
45	Fine Red 2 (Cyan)	000 ⇔ 255	Fine control (16-bit)	
46	Green 2 (Magenta)	000 ⇔ 255	0-100%	
47	Fine Green 2 (Magenta)	000 ⇔ 255	Fine control (16-bit)	
48	Blue 2 (Yellow)	000 ⇔ 255	0-100%	
49	Fine Blue 2 (Yellow)	000 ⇔ 255	Fine control (16-bit)	



107	Channel	Function	Value	Percent/Setting
	50	White 2	000 ⇔ 255	0-100%
	51	Fine White 2	000 ⇔ 255	Fine control (16-bit)
	52	Red 3 (Cyan)	000 ⇔ 255	0-100%
	53	Fine Red 3 (Cyan)	000 ⇔ 255	Fine control (16-bit)
	54	Green 3 (Magenta)	000 ⇔ 255	0-100%
	55	Fine Green 3 (Magenta)	000 ⇔ 255	Fine control (16-bit)
	56	Blue 3 (Yellow)	000 ⇔ 255	0-100%
	57	Fine Blue 3 (Yellow)	000 ⇔ 255	Fine control (16-bit)
	58	White 3	000 ⇔ 255	0-100%
	59	Fine White 3	000 ⇔ 255	Fine control (16-bit)
	60	Red 4 (Cyan)	000 ⇔ 255	0-100%
	61	Fine Red 4 (Cyan)	000 ⇔ 255	Fine control (16-bit)
	62	Green 4 (Magenta)	000 ⇔ 255	0-100%
	63	Fine Green 4 (Magenta)	000 ⇔ 255	Fine control (16-bit)
	64	Blue 4 (Yellow)	000 ⇔ 255	0-100%
	65	Fine Blue 4 (Yellow)	000 ⇔ 255	Fine control (16-bit)
	66	White 4	000 ⇔ 255	0-100%
	67	Fine White 4	000 ⇔ 255	Fine control (16-bit)
	68	Red 5 (Cyan)	000 ⇔ 255	0-100%
	69	Fine Red 5 (Cyan)	000 ⇔ 255	Fine control (16-bit)
	70	Green 5 (Magenta)	000 ⇔ 255	0-100%
	71	Fine Green 5 (Magenta)	000 ⇔ 255	Fine control (16-bit)
	72	Blue 5 (Yellow)	000 ⇔ 255	0-100%
	73	Fine Blue 5 (Yellow)	000 ⇔ 255	Fine control (16-bit)
	74	White 5	000 ⇔ 255	0-100%
	75	Fine White 5	000 ⇔ 255	Fine control (16-bit)
	76	Red 6 (Cyan)	000 ⇔ 255	0-100%
	77	Fine Red 6 (Cyan)	000 ⇔ 255	Fine control (16-bit)
	78	Green 6 (Magenta)	000 ⇔ 255	0-100%
	79	Fine Green 6 (Magenta)	000 ⇔ 255	Fine control (16-bit)
	80	Blue 6 (Yellow)	000 ⇔ 255	0-100%
	81	Fine Blue 6 (Yellow)	000 ⇔ 255	Fine control (16-bit)
	82	White 6	000 ⇔ 255	0-100%
	83	Fine White 6	000 ⇔ 255	Fine control (16-bit)
	84	Red 7 (Cyan)	000 ⇔ 255	0-100%
	85	Fine Red 7 (Cyan)	000 ⇔ 255	Fine control (16-bit)
	86	Green 7 (Magenta)	000 ⇔ 255	0-100%
	87	Fine Green 7 (Magenta)	000 ⇔ 255	Fine control (16-bit)
	88	Blue 7 (Yellow)	000 ⇔ 255	0-100%
	89	Fine Blue 7 (Yellow)	000 ⇔ 255	Fine control (16-bit)

107	Channel	Function	Value	Percent/Setting
	90	White 7	000 ⇔ 255	0-100%
	91	Fine White 7	000 ⇔ 255	Fine control (16-bit)
	92	Red 8 (Cyan)	000 ⇔ 255	0-100%
	93	Fine Red 8 (Cyan)	000 ⇔ 255	Fine control (16-bit)
	94	Green 8 (Magenta)	000 ⇔ 255	0-100%
	95	Fine Green 8 (Magenta)	000 ⇔ 255	Fine control (16-bit)
	96	Blue 8 (Yellow)	000 ⇔ 255	0-100%
	97	Fine Blue 8 (Yellow)	000 ⇔ 255	Fine control (16-bit)
	98	White 8	000 ⇔ 255	0-100%
	99	Fine White 8	000 ⇔ 255	Fine control (16-bit)
	100	Red 9 (Cyan)	000 ⇔ 255	0-100%
	101	Fine Red 9 (Cyan)	000 ⇔ 255	Fine control (16-bit)
	102	Green 9 (Magenta)	000 ⇔ 255	0-100%
	103	Fine Green 9 (Magenta)	000 ⇔ 255	Fine control (16-bit)
	104	Blue 9 (Yellow)	000 ⇔ 255	0-100%
	105	Fine Blue 9 (Yellow)	000 ⇔ 255	Fine control (16-bit)
	106	White 9	000 ⇔ 255	0-100%
	107	Fine White 9	000 ⇔ 255	Fine control (16-bit)

71	Channel	Function	Value	Percent/Setting
	1	Pan	000 ⇔ 255	0-100%
	2	Fine Pan	000 ⇔ 255	Fine control (16-bit)
	3	Tilt	000 ⇔ 255	0-100%
	4	Fine Tilt	000 ⇔ 255	Fine control (16-bit)
	5	Pan/Tilt Speed	000 ⇔ 255	0-100%
	6	Dimmer	000 ⇔ 255	0-100%
	7	Fine Dimmer	000 ⇔ 255	Fine control (16-bit)

71	Channel	Function	Value	Percent/Setting
8		Shutter	000 ⇔ 019	off
			020 ⇔ 024	on
			025 ⇔ 064	strobe 1 with decreasing speed
			065 ⇔ 069	on
			070 ⇔ 084	strobe 2 (fast on slow off) with decreasing speed
			085 ⇔ 089	on
			090 ⇔ 104	strobe 3 (slow on fast off) with decreasing speed
			105 ⇔ 109	on
			110 ⇔ 124	strobe 4 (random strobe) with decreasing speed
			125 ⇔ 129	on
			130 ⇔ 144	strobe 5 (random fast on slow off) with decreasing speed
			145 ⇔ 149	on
			150 ⇔ 164	strobe 6 (random slow on fast off) with decreasing speed
			165 ⇔ 169	on
			170 ⇔ 184	strobe 7 (pulse strobe) with decreasing speed
			185 ⇔ 189	on
			190 ⇔ 204	strobe 8 (random pulse strobe) with decreasing speed
			205 ⇔ 209	on
			210 ⇔ 224	strobe 9 (fade on or off) with decreasing speed
			225 ⇔ 229	on
230 ⇔ 244	strobe 10 (pulse strobe) with decreasing speed			
245 ⇔ 255	on			
9		CTC	000	No function
			001 ⇔ 255	2800 to 10,000 K
10		Color	000	No function
			001 ⇔ 002	2700K R:156 G: 118 B: 0 W: 63
			003 ⇔ 004	3200K R:156 G: 141 B: 5 W: 89
			005 ⇔ 006	4200K R:156 G: 141 B: 14 W: 255
			007 ⇔ 008	5600K R:156 G: 207 B: 54 W: 255
			009 ⇔ 010	8000K R:130 G: 255 B: 96 W: 255
			11	Blue R: 0 G: 0 B: 255 W: 0
			012 ⇔ 048	R: 0 G: + B: 255 W: 0
			049	Cyan R: 0 G: 255 B: 255 W: 0
			050 ⇔ 086	R: 0 G: 255 B: - W: 0
			087	Green R: 0 G: 255 B: 0 W: 0
			088 ⇔ 124	R: + G: 255 B: 0 W: 0
			125	Yellow R: 255 G: 255 B: 0 W: 0
			126 ⇔ 162	R: 255 G: - B: 0 W: 0
			163	Red R: 255 G: 0 B: 0 W: 0
			164 ⇔ 200	R: 255 G: 0 B: + W: 0
			201	Magenta R: 255 G: 0 B: 255 W: 0
			202 ⇔ 238	R: - G: 0 B: 255 W: 0
			239	Blue R: 0 G: 0 B: 255 W: 0
			240 ⇔ 247	Color change, fast to slow
248 ⇔ 255	Color jump, fast to slow			

71	Channel	Function	Value	Percent/Setting
			000 ⇄ 003	No function
			004 ⇄ 006	Gobo 1
			007 ⇄ 009	Gobo 2
			010 ⇄ 012	Gobo 3
			013 ⇄ 015	Gobo 4
			016 ⇄ 018	Gobo 5
			019 ⇄ 021	Gobo 6
			022 ⇄ 024	Gobo 7
			025 ⇄ 027	Gobo 8
			028 ⇄ 030	Gobo 9
			031 ⇄ 033	No Gobo
			034 ⇄ 036	Gobo 10
			037 ⇄ 039	Gobo 11
			040 ⇄ 042	Gobo 12
			043 ⇄ 045	Gobo 13
			046 ⇄ 048	Gobo 14
			049 ⇄ 051	Gobo 15
			052 ⇄ 054	Gobo 16
			055 ⇄ 057	Gobo 17
			058 ⇄ 060	Gobo 18
			061 ⇄ 063	Gobo 19
			064 ⇄ 066	Gobo 20
			067 ⇄ 069	Gobo 21
			070 ⇄ 072	Gobo 22
			073 ⇄ 075	Gobo 23
			076 ⇄ 078	Gobo 24
			079 ⇄ 081	Gobo 25
			082 ⇄ 084	Gobo 26
			085 ⇄ 087	Gobo 27
			088 ⇄ 090	Gobo 28
			091 ⇄ 093	Gobo 29
	11	Gobo	094 ⇄ 096	Gobo 30
			097 ⇄ 099	Gobo 31
			100 ⇄ 102	Gobo 32
			103 ⇄ 105	Gobo 33
			106 ⇄ 108	Gobo 34
			109 ⇄ 111	Gobo 35
			112 ⇄ 114	Gobo 36
			115 ⇄ 117	Gobo 37
			118 ⇄ 120	Gobo 38
			121 ⇄ 123	Gobo 39
			124 ⇄ 126	Gobo 40
			127 ⇄ 129	Gobo 41
			130 ⇄ 132	Gobo 42
			133 ⇄ 135	Gobo 43
			136 ⇄ 138	Gobo 44
			139 ⇄ 141	Gobo 45
			142 ⇄ 144	Gobo 46
			145 ⇄ 147	Gobo 47
			148 ⇄ 150	Gobo 48
			151 ⇄ 153	Gobo 49
			154 ⇄ 156	Gobo 50
			157 ⇄ 159	Gobo 51
			160 ⇄ 162	Gobo 52
			163 ⇄ 165	Gobo 53
			166 ⇄ 168	Gobo 54
			169 ⇄ 171	Gobo 55
			172 ⇄ 174	Gobo 56
			175 ⇄ 177	Gobo 57
			178 ⇄ 180	Gobo 58
			181 ⇄ 183	Gobo 59
			184 ⇄ 186	Gobo 60
			187 ⇄ 189	Gobo 61
			190 ⇄ 192	Gobo 62

71	Channel	Function	Value	Percent/Setting			
11		Gobo	193 ⇄ 195	Gobo 63			
			196 ⇄ 198	Gobo 64			
			199 ⇄ 201	Gobo 65			
			202 ⇄ 204	Gobo 66			
			205 ⇄ 207	Gobo 67			
			208 ⇄ 210	Gobo 68			
			211 ⇄ 213	Gobo 69			
			214 ⇄ 216	Gobo 70			
			217 ⇄ 219	Gobo 71			
			220 ⇄ 222	Gobo 72			
			223 ⇄ 225	Gobo 73			
			226 ⇄ 228	Gobo 74			
			229 ⇄ 231	Gobo 75			
			232 ⇄ 234	Gobo 76			
			235 ⇄ 237	Gobo 77			
			238 ⇄ 240	Gobo 78			
			241 ⇄ 243	Gobo 79			
			244 ⇄ 246	Gobo 80			
			247 ⇄ 249	Gobo 81			
			250 ⇄ 252	Gobo 82			
			253 ⇄ 255	Gobo 83			
			12		LED Built-in	001 ⇄ 015	No function
						016 ⇄ 017	Built-in 1
						018 ⇄ 019	Built-in 2
						020 ⇄ 021	Built-in 3
						022 ⇄ 023	Built-in 4
						024 ⇄ 025	Built-in 5
						026 ⇄ 027	Built-in 6
						028 ⇄ 029	Built-in 7
						030 ⇄ 031	Built-in 8
						032 ⇄ 033	Built-in 9
						034 ⇄ 035	Built-in 10
						036 ⇄ 037	Built-in 11
						038 ⇄ 039	Built-in 12
						040 ⇄ 041	Built-in 13
042 ⇄ 043	Built-in 14						
044 ⇄ 045	Built-in 15						
046 ⇄ 047	Built-in 16						
048 ⇄ 049	Built-in 17						
050 ⇄ 051	Built-in 18						
052 ⇄ 053	Built-in 19						
054 ⇄ 055	Built-in 20						
056 ⇄ 057	Built-in 21						
058 ⇄ 059	Built-in 22						
060 ⇄ 061	Built-in 23						
062 ⇄ 063	Built-in 24						
064 ⇄ 065	Built-in 25						
066 ⇄ 067	Built-in 26						
068 ⇄ 069	Built-in 27						
070 ⇄ 071	Built-in 28						
072 ⇄ 073	Built-in 29						
074 ⇄ 075	Built-in 30						
076 ⇄ 077	Built-in 31						
078 ⇄ 079	Built-in 32						
080 ⇄ 081	Built-in 33						
082 ⇄ 083	Built-in 34						
084 ⇄ 085	Built-in 35						
086 ⇄ 087	Built-in 36						
088 ⇄ 089	Built-in 37						
090 ⇄ 091	Built-in 38						
092 ⇄ 093	Built-in 39						
094 ⇄ 095	Built-in 40						
096 ⇄ 097	Built-in 41						
098 ⇄ 099	Built-in 42						

71	Channel	Function	Value	Percent/Setting
			100 ⇄ 101	Built-in 43
			102 ⇄ 103	Built-in 44
			104 ⇄ 105	Built-in 45
			106 ⇄ 107	Built-in 46
			108 ⇄ 109	Built-in 47
			110 ⇄ 111	Built-in 48
			112 ⇄ 113	Built-in 49
			114 ⇄ 115	Built-in 50
			116 ⇄ 117	Built-in 51
			118 ⇄ 119	Built-in 52
			120 ⇄ 121	Built-in 53
			122 ⇄ 123	Built-in 54
			124 ⇄ 125	Built-in 55
			126 ⇄ 127	Built-in 56
			128 ⇄ 135	Built-in 57
			136 ⇄ 137	Built-in 58
			138 ⇄ 139	Built-in 59
			140 ⇄ 141	Built-in 60
			142 ⇄ 143	Built-in 61
			144 ⇄ 145	Built-in 62
			146 ⇄ 147	Built-in 63
			148 ⇄ 149	Built-in 64
			150 ⇄ 151	Built-in 65
			152 ⇄ 153	Built-in 66
			154 ⇄ 155	Built-in 67
			156 ⇄ 157	Built-in 68
			158 ⇄ 159	Built-in 69
			160 ⇄ 161	Built-in 70
	12	LED Built-in	162 ⇄ 163	Built-in 71
			164 ⇄ 165	Built-in 72
			166 ⇄ 167	Built-in 73
			168 ⇄ 169	Built-in 74
			170 ⇄ 171	Built-in 75
			172 ⇄ 173	Built-in 76
			174 ⇄ 175	Built-in 77
			176 ⇄ 177	Built-in 78
			178 ⇄ 179	Built-in 79
			180 ⇄ 181	Built-in 80
			182 ⇄ 183	Built-in 81
			184 ⇄ 185	Built-in 82
			186 ⇄ 187	Built-in 83
			188 ⇄ 189	Built-in 84
			190 ⇄ 191	Built-in 85
			192 ⇄ 193	Built-in 86
			194 ⇄ 195	Built-in 87
			196 ⇄ 197	Built-in 88
			198 ⇄ 199	Built-in 89
			200 ⇄ 201	Built-in 90
			202 ⇄ 203	Built-in 91
			204 ⇄ 205	Built-in 92
			206 ⇄ 207	Built-in 93
			208 ⇄ 209	Built-in 94
			210 ⇄ 211	Built-in 95
			212 ⇄ 213	Built-in 96
			214 ⇄ 215	Built-in 97
			216 ⇄ 217	Built-in 98
			218 ⇄ 219	Built-in 99
			220 ⇄ 221	Built-in 100

71	Channel	Function	Value	Percent/Setting
12		LED Built-in	222 ⇔ 223	Built-in 101
			224 ⇔ 225	Built-in 102
			226 ⇔ 227	Built-in 103
			228 ⇔ 229	Built-in 104
			230 ⇔ 231	Built-in 105
			232 ⇔ 233	Built-in 106
			234 ⇔ 235	Built-in 107
			236 ⇔ 237	Built-in 108
			238 ⇔ 239	Built-in 109
			240 ⇔ 241	Built-in 110
			242 ⇔ 243	Built-in 111
			244 ⇔ 245	Built-in 112
			246 ⇔ 247	Built-in 113
			248 ⇔ 255	Built-in 114
13		LED Built-in Speed	001 ⇔ 127	Clockwise fast to slow
			128	Stop
			129 ⇔ 255	Counter-clockwise slow to fast
14		LED Built-in Delay	000 ⇔ 255	Fast to slow
15		Background Color Macros	000	No function
			001 ⇔ 002	2700K R:156 G: 118 B: 0 W: 63
			003 ⇔ 004	3200K R:156 G: 141 B: 5 W: 89
			005 ⇔ 006	4200K R:156 G: 141 B: 14 W: 255
			007 ⇔ 008	5600K R:156 G: 207 B: 54 W: 255
			009 ⇔ 010	8000K R:130 G: 255 B: 96 W: 255
			11	Blue R: 0 G: 0 B: 255 W: 0
			012 ⇔ 048	R: 0 G: + B: 255 W: 0
			049	Cyan R: 0 G: 255 B: 255 W: 0
			050 ⇔ 086	R: 0 G: 255 B: - W: 0
			087	Green R: 0 G: 255 B: 0 W: 0
			088 ⇔ 124	R: + G: 255 B: 0 W: 0
			125	Yellow R: 255 G: 255 B: 0 W: 0
			126 ⇔ 162	R: 255 G: - B: 0 W: 0
			163	Red R: 255 G: 0 B: 0 W: 0
			164 ⇔ 200	R: 255 G: 0 B: + W: 0
			201	Magenta R: 255 G: 0 B: 255 W: 0
			202 ⇔ 238	R: - G: 0 B: 255 W: 0
239	Blue R: 0 G: 0 B: 255 W: 0			
240 ⇔ 247	Color change, fast to slow			
248 ⇔ 255	Color jump, fast to slow			
16		Background Color Dimmer	000 ⇔ 255	0-100%
17		Background Red	000 ⇔ 255	0-100%
18		Background Green	000 ⇔ 255	0-100%
19		Background Blue	000 ⇔ 255	0-100%
20		Background White	000 ⇔ 255	0-100%
21		Zoom	000 ⇔ 255	0-100%

71

Channel	Function	Value	Percent/Setting
22	Control	001 ⇔ 009	No function
		010 ⇔ 014	Pan/Tilt blackout
		015 ⇔ 019	No function
		020 ⇔ 024	RGBW color mixing (5 sec.)
		025 ⇔ 029	CMY color mixing (5 sec.)
		030 ⇔ 034	No function
		035 ⇔ 039	No function
		040 ⇔ 044	No function
		045 ⇔ 049	No function
		050 ⇔ 054	Pan reset
		055 ⇔ 059	Tilt reset
		060 ⇔ 064	Zoom reset
		065 ⇔ 069	No function
		070 ⇔ 074	All reset
		075 ⇔ 079	No function
		080 ⇔ 084	Pan/Tilt reverse
		085 ⇔ 089	Pan reverse
		090 ⇔ 094	Tilt reverse
		095 ⇔ 099	Cancel pan reverse
		100 ⇔ 104	Cancel tilt reverse
		105 ⇔ 109	Cancel pan/tilt reverse
		110 ⇔ 114	No function
		115 ⇔ 119	No function
120 ⇔ 124	Fan low speed		
125 ⇔ 129	Fan full speed		
130 ⇔ 134	Fan auto		
135 ⇔ 139	Dimmer Fast mode		
140 ⇔ 144	Dimmer Smooth mode		
145 ⇔ 255	No function		
23	Red (Cyan)	000 ⇔ 255	0-100%
24	Green (Magenta)	000 ⇔ 255	0-100%
25	Blue (Yellow)	000 ⇔ 255	0-100%
26	White	000 ⇔ 255	0-100%
27	Dimmer 1	000 ⇔ 255	0-100%
28	Red 1 (Cyan)	000 ⇔ 255	0-100%
29	Green 1 (Magenta)	000 ⇔ 255	0-100%
30	Blue 1 (Yellow)	000 ⇔ 255	0-100%
31	White 1	000 ⇔ 255	0-100%
32	Dimmer 2	000 ⇔ 255	0-100%
33	Red 2 (Cyan)	000 ⇔ 255	0-100%
34	Green 2 (Magenta)	000 ⇔ 255	0-100%
35	Blue 2 (Yellow)	000 ⇔ 255	0-100%
36	White 2	000 ⇔ 255	0-100%
37	Dimmer 3	000 ⇔ 255	0-100%
38	Red 3 (Cyan)	000 ⇔ 255	0-100%
39	Green 3 (Magenta)	000 ⇔ 255	0-100%
40	Blue 3 (Yellow)	000 ⇔ 255	0-100%
41	White 3	000 ⇔ 255	0-100%
42	Dimmer 4	000 ⇔ 255	0-100%
43	Red 4 (Cyan)	000 ⇔ 255	0-100%
44	Green 4 (Magenta)	000 ⇔ 255	0-100%
45	Blue 4 (Yellow)	000 ⇔ 255	0-100%
46	White 4	000 ⇔ 255	0-100%
47	Dimmer 5	000 ⇔ 255	0-100%



71	Channel	Function	Value	Percent/Setting
	48	Red 5 (Cyan)	000 ⇔ 255	0-100%
	49	Green 5 (Magenta)	000 ⇔ 255	0-100%
	50	Blue 5 (Yellow)	000 ⇔ 255	0-100%
	51	White 5	000 ⇔ 255	0-100%
	52	Dimmer 6	000 ⇔ 255	0-100%
	53	Red 6 (Cyan)	000 ⇔ 255	0-100%
	54	Green 6 (Magenta)	000 ⇔ 255	0-100%
	55	Blue 6 (Yellow)	000 ⇔ 255	0-100%
	56	White 6	000 ⇔ 255	0-100%
	57	Dimmer 7	000 ⇔ 255	0-100%
	58	Red 7 (Cyan)	000 ⇔ 255	0-100%
	59	Green 7 (Magenta)	000 ⇔ 255	0-100%
	60	Blue 7 (Yellow)	000 ⇔ 255	0-100%
	61	White 7	000 ⇔ 255	0-100%
	62	Dimmer 8	000 ⇔ 255	0-100%
	63	Red 8 (Cyan)	000 ⇔ 255	0-100%
	64	Green 8 (Magenta)	000 ⇔ 255	0-100%
	65	Blue 8 (Yellow)	000 ⇔ 255	0-100%
	66	White 8	000 ⇔ 255	0-100%
	67	Dimmer 9	000 ⇔ 255	0-100%
	68	Red 9 (Cyan)	000 ⇔ 255	0-100%
	69	Green 9 (Magenta)	000 ⇔ 255	0-100%
	70	Blue 9 (Yellow)	000 ⇔ 255	0-100%
	71	White 9	000 ⇔ 255	0-100%

62	Channel	Function	Value	Percent/Setting
	1	Pan	000 ⇔ 255	0-100%
	2	Fine Pan	000 ⇔ 255	Fine control (16-bit)
	3	Tilt	000 ⇔ 255	0-100%
	4	Fine Tilt	000 ⇔ 255	Fine control (16-bit)
	5	Pan/Tilt Speed	000 ⇔ 255	0-100%
	6	Dimmer	000 ⇔ 255	0-100%
	7	Fine Dimmer	000 ⇔ 255	Fine control (16-bit)

62	Channel	Function	Value	Percent/Setting
8		Shutter	000 ⇔ 019	off
			020 ⇔ 024	on
			025 ⇔ 064	strobe 1 with decreasing speed
			065 ⇔ 069	on
			070 ⇔ 084	strobe 2 (fast on slow off) with decreasing speed
			085 ⇔ 089	on
			090 ⇔ 104	strobe 3 (slow on fast off) with decreasing speed
			105 ⇔ 109	on
			110 ⇔ 124	strobe 4 (random strobe) with decreasing speed
			125 ⇔ 129	on
			130 ⇔ 144	strobe 5 (random fast on slow off) with decreasing speed
			145 ⇔ 149	on
			150 ⇔ 164	strobe 6 (random slow on fast off) with decreasing speed
			165 ⇔ 169	on
			170 ⇔ 184	strobe 7 (pulse strobe) with decreasing speed
			185 ⇔ 189	on
			190 ⇔ 204	strobe 8 (random pulse strobe) with decreasing speed
			205 ⇔ 209	on
			210 ⇔ 224	strobe 9 (fade on or off) with decreasing speed
			225 ⇔ 229	on
230 ⇔ 244	strobe 10 (pulse strobe) with decreasing speed			
245 ⇔ 255	on			
9		CTC	000	No function
			001 ⇔ 255	2800 to 10,000 K
10		Color	000	No function
			001 ⇔ 002	2700K R:156 G: 118 B: 0 W: 63
			003 ⇔ 004	3200K R:156 G: 141 B: 5 W: 89
			005 ⇔ 006	4200K R:156 G: 141 B: 14 W: 255
			007 ⇔ 008	5600K R:156 G: 207 B: 54 W: 255
			009 ⇔ 010	8000K R:130 G: 255 B: 96 W: 255
			11	Blue R: 0 G: 0 B: 255 W: 0
			012 ⇔ 048	R: 0 G: + B: 255 W: 0
			049	Cyan R: 0 G: 255 B: 255 W: 0
			050 ⇔ 086	R: 0 G: 255 B: - W: 0
			087	Green R: 0 G: 255 B: 0 W: 0
			088 ⇔ 124	R: + G: 255 B: 0 W: 0
			125	Yellow R: 255 G: 255 B: 0 W: 0
			126 ⇔ 162	R: 255 G: - B: 0 W: 0
			163	Red R: 255 G: 0 B: 0 W: 0
			164 ⇔ 200	R: 255 G: 0 B: + W: 0
			201	Magenta R: 255 G: 0 B: 255 W: 0
			202 ⇔ 238	R: - G: 0 B: 255 W: 0
239	Blue R: 0 G: 0 B: 255 W: 0			
240 ⇔ 247	Color change, fast to slow			
248 ⇔ 255	Color jump, fast to slow			

62	Channel	Function	Value	Percent/Setting
			000 ⇔ 003	No function
			004 ⇔ 006	Gobo 1
			007 ⇔ 009	Gobo 2
			010 ⇔ 012	Gobo 3
			013 ⇔ 015	Gobo 4
			016 ⇔ 018	Gobo 5
			019 ⇔ 021	Gobo 6
			022 ⇔ 024	Gobo 7
			025 ⇔ 027	Gobo 8
			028 ⇔ 030	Gobo 9
			031 ⇔ 033	No Gobo
			034 ⇔ 036	Gobo 10
			037 ⇔ 039	Gobo 11
			040 ⇔ 042	Gobo 12
			043 ⇔ 045	Gobo 13
			046 ⇔ 048	Gobo 14
			049 ⇔ 051	Gobo 15
			052 ⇔ 054	Gobo 16
			055 ⇔ 057	Gobo 17
			058 ⇔ 060	Gobo 18
			061 ⇔ 063	Gobo 19
			064 ⇔ 066	Gobo 20
			067 ⇔ 069	Gobo 21
			070 ⇔ 072	Gobo 22
			073 ⇔ 075	Gobo 23
			076 ⇔ 078	Gobo 24
			079 ⇔ 081	Gobo 25
			082 ⇔ 084	Gobo 26
			085 ⇔ 087	Gobo 27
			088 ⇔ 090	Gobo 28
			091 ⇔ 093	Gobo 29
	11	Gobo	094 ⇔ 096	Gobo 30
			097 ⇔ 099	Gobo 31
			100 ⇔ 102	Gobo 32
			103 ⇔ 105	Gobo 33
			106 ⇔ 108	Gobo 34
			109 ⇔ 111	Gobo 35
			112 ⇔ 114	Gobo 36
			115 ⇔ 117	Gobo 37
			118 ⇔ 120	Gobo 38
			121 ⇔ 123	Gobo 39
			124 ⇔ 126	Gobo 40
			127 ⇔ 129	Gobo 41
			130 ⇔ 132	Gobo 42
			133 ⇔ 135	Gobo 43
			136 ⇔ 138	Gobo 44
			139 ⇔ 141	Gobo 45
			142 ⇔ 144	Gobo 46
			145 ⇔ 147	Gobo 47
			148 ⇔ 150	Gobo 48
			151 ⇔ 153	Gobo 49
			154 ⇔ 156	Gobo 50
			157 ⇔ 159	Gobo 51
			160 ⇔ 162	Gobo 52
			163 ⇔ 165	Gobo 53
			166 ⇔ 168	Gobo 54
			169 ⇔ 171	Gobo 55
			172 ⇔ 174	Gobo 56
			175 ⇔ 177	Gobo 57
			178 ⇔ 180	Gobo 58
			181 ⇔ 183	Gobo 59
			184 ⇔ 186	Gobo 60
			187 ⇔ 189	Gobo 61
			190 ⇔ 192	Gobo 62

62	Channel	Function	Value	Percent/Setting			
11		Gobo	193 ⇄ 195	Gobo 63			
			196 ⇄ 198	Gobo 64			
			199 ⇄ 201	Gobo 65			
			202 ⇄ 204	Gobo 66			
			205 ⇄ 207	Gobo 67			
			208 ⇄ 210	Gobo 68			
			211 ⇄ 213	Gobo 69			
			214 ⇄ 216	Gobo 70			
			217 ⇄ 219	Gobo 71			
			220 ⇄ 222	Gobo 72			
			223 ⇄ 225	Gobo 73			
			226 ⇄ 228	Gobo 74			
			229 ⇄ 231	Gobo 75			
			232 ⇄ 234	Gobo 76			
			235 ⇄ 237	Gobo 77			
			238 ⇄ 240	Gobo 78			
			241 ⇄ 243	Gobo 79			
			244 ⇄ 246	Gobo 80			
			247 ⇄ 249	Gobo 81			
			250 ⇄ 252	Gobo 82			
			253 ⇄ 255	Gobo 83			
			12		LED Built-in	001 ⇄ 015	No function
						016 ⇄ 017	Built-in 1
						018 ⇄ 019	Built-in 2
						020 ⇄ 021	Built-in 3
						022 ⇄ 023	Built-in 4
						024 ⇄ 025	Built-in 5
026 ⇄ 027	Built-in 6						
028 ⇄ 029	Built-in 7						
030 ⇄ 031	Built-in 8						
032 ⇄ 033	Built-in 9						
034 ⇄ 035	Built-in 10						
036 ⇄ 037	Built-in 11						
038 ⇄ 039	Built-in 12						
040 ⇄ 041	Built-in 13						
042 ⇄ 043	Built-in 14						
044 ⇄ 045	Built-in 15						
046 ⇄ 047	Built-in 16						
048 ⇄ 049	Built-in 17						
050 ⇄ 051	Built-in 18						
052 ⇄ 053	Built-in 19						
054 ⇄ 055	Built-in 20						
056 ⇄ 057	Built-in 21						
058 ⇄ 059	Built-in 22						
060 ⇄ 061	Built-in 23						
062 ⇄ 063	Built-in 24						
064 ⇄ 065	Built-in 25						
066 ⇄ 067	Built-in 26						
068 ⇄ 069	Built-in 27						
070 ⇄ 071	Built-in 28						
072 ⇄ 073	Built-in 29						
074 ⇄ 075	Built-in 30						
076 ⇄ 077	Built-in 31						
078 ⇄ 079	Built-in 32						
080 ⇄ 081	Built-in 33						
082 ⇄ 083	Built-in 34						
084 ⇄ 085	Built-in 35						
086 ⇄ 087	Built-in 36						
088 ⇄ 089	Built-in 37						
090 ⇄ 091	Built-in 38						
092 ⇄ 093	Built-in 39						
094 ⇄ 095	Built-in 40						

62	Channel	Function	Value	Percent/Setting
			096 ⇄ 097	Built-in 41
			098 ⇄ 099	Built-in 42
			100 ⇄ 101	Built-in 43
			102 ⇄ 103	Built-in 44
			104 ⇄ 105	Built-in 45
			106 ⇄ 107	Built-in 46
			108 ⇄ 109	Built-in 47
			110 ⇄ 111	Built-in 48
			112 ⇄ 113	Built-in 49
			114 ⇄ 115	Built-in 50
			116 ⇄ 117	Built-in 51
			118 ⇄ 119	Built-in 52
			120 ⇄ 121	Built-in 53
			122 ⇄ 123	Built-in 54
			124 ⇄ 125	Built-in 55
			126 ⇄ 127	Built-in 56
			128 ⇄ 135	Built-in 57
			136 ⇄ 137	Built-in 58
			138 ⇄ 139	Built-in 59
			140 ⇄ 141	Built-in 60
			142 ⇄ 143	Built-in 61
			144 ⇄ 145	Built-in 62
			146 ⇄ 147	Built-in 63
			148 ⇄ 149	Built-in 64
			150 ⇄ 151	Built-in 65
			152 ⇄ 153	Built-in 66
			154 ⇄ 155	Built-in 67
			156 ⇄ 157	Built-in 68
			158 ⇄ 159	Built-in 69
			160 ⇄ 161	Built-in 70
			162 ⇄ 163	Built-in 71
			164 ⇄ 165	Built-in 72
			166 ⇄ 167	Built-in 73
			168 ⇄ 169	Built-in 74
			170 ⇄ 171	Built-in 75
			172 ⇄ 173	Built-in 76
			174 ⇄ 175	Built-in 77
			176 ⇄ 177	Built-in 78
			178 ⇄ 179	Built-in 79
			180 ⇄ 181	Built-in 80
			182 ⇄ 183	Built-in 81
			184 ⇄ 185	Built-in 82
			186 ⇄ 187	Built-in 83
			188 ⇄ 189	Built-in 84
			190 ⇄ 191	Built-in 85
			192 ⇄ 193	Built-in 86
			194 ⇄ 195	Built-in 87
			196 ⇄ 197	Built-in 88
			198 ⇄ 199	Built-in 89
			200 ⇄ 201	Built-in 90
			202 ⇄ 203	Built-in 91
			204 ⇄ 205	Built-in 92
			206 ⇄ 207	Built-in 93
			208 ⇄ 209	Built-in 94
			210 ⇄ 211	Built-in 95
			212 ⇄ 213	Built-in 96
			214 ⇄ 215	Built-in 97
			216 ⇄ 217	Built-in 98
			218 ⇄ 219	Built-in 99
			220 ⇄ 221	Built-in 100
			222 ⇄ 223	Built-in 101
			224 ⇄ 225	Built-in 102
			226 ⇄ 227	Built-in 103
	12	LED Built-in		

62	Channel	Function	Value	Percent/Setting
12		LED Built-in	228 ⇔ 229	Built-in 104
			230 ⇔ 231	Built-in 105
			232 ⇔ 233	Built-in 106
			234 ⇔ 235	Built-in 107
			236 ⇔ 237	Built-in 108
			238 ⇔ 239	Built-in 109
			240 ⇔ 241	Built-in 110
			242 ⇔ 243	Built-in 111
			244 ⇔ 245	Built-in 112
			246 ⇔ 247	Built-in 113
			248 ⇔ 255	Built-in 114
13		LED Built-in Speed	001 ⇔ 127	Clockwise fast to slow
			128	Stop
			129 ⇔ 255	Counter-clockwise slow to fast
14		LED Built-in Delay	000 ⇔ 255	Fast to slow
15		Background Color Macros	000	No function
			001 ⇔ 002	2700K R:156 G: 118 B: 0 W: 63
			003 ⇔ 004	3200K R:156 G: 141 B: 5 W: 89
			005 ⇔ 006	4200K R:156 G: 141 B: 14 W: 255
			007 ⇔ 008	5600K R:156 G: 207 B: 54 W: 255
			009 ⇔ 010	8000K R:130 G: 255 B: 96 W: 255
			11	Blue R: 0 G: 0 B: 255 W: 0
			012 ⇔ 048	R: 0 G: + B: 255 W: 0
			049	Cyan R: 0 G: 255 B: 255 W: 0
			050 ⇔ 086	R: 0 G: 255 B: - W: 0
			087	Green R: 0 G: 255 B: 0 W: 0
			088 ⇔ 124	R: + G: 255 B: 0 W: 0
			125	Yellow R: 255 G: 255 B: 0 W: 0
			126 ⇔ 162	R: 255 G: - B: 0 W: 0
			163	Red R: 255 G: 0 B: 0 W: 0
			164 ⇔ 200	R: 255 G: 0 B: + W: 0
			201	Magenta R: 255 G: 0 B: 255 W: 0
			202 ⇔ 238	R: - G: 0 B: 255 W: 0
239	Blue R: 0 G: 0 B: 255 W: 0			
240 ⇔ 247	Color change, fast to slow			
248 ⇔ 255	Color jump, fast to slow			
16		Background Color Dimmer	000 ⇔ 255	0-100%
17		Background Red	000 ⇔ 255	0-100%
18		Background Green	000 ⇔ 255	0-100%
19		Background Blue	000 ⇔ 255	0-100%
20		Background White	000 ⇔ 255	0-100%
21		Zoom	000 ⇔ 255	0-100%

62	Channel	Function	Value	Percent/Setting
			001 ⇔ 009	No function
			010 ⇔ 014	Pan/Tilt blackout
			015 ⇔ 019	No function
			020 ⇔ 024	RGBW color mixing (5 sec.)
			025 ⇔ 029	CMY color mixing (5 sec.)
			030 ⇔ 034	No function
			035 ⇔ 039	No function
			040 ⇔ 044	No function
			045 ⇔ 049	No function
			050 ⇔ 054	Pan reset
			055 ⇔ 059	Tilt reset
			060 ⇔ 064	Zoom reset
			065 ⇔ 069	No function
			070 ⇔ 074	All reset
			075 ⇔ 079	No function
			080 ⇔ 084	Pan/Tilt reverse
			085 ⇔ 089	Pan reverse
			090 ⇔ 094	Tilt reverse
			095 ⇔ 099	Cancel pan reverse
			100 ⇔ 104	Cancel tilt reverse
			105 ⇔ 109	Cancel pan/tilt reverse
			110 ⇔ 114	No function
			115 ⇔ 119	No function
			120 ⇔ 124	Fan low speed
			125 ⇔ 129	Fan full speed
			130 ⇔ 134	Fan auto
			135 ⇔ 139	Dimmer Fast mode
			140 ⇔ 144	Dimmer Smooth mode
			145 ⇔ 255	No function
23		<b>Red (Cyan)</b>	000 ⇔ 255	0-100%
24		<b>Green (Magenta)</b>	000 ⇔ 255	0-100%
25		<b>Blue (Yellow)</b>	000 ⇔ 255	0-100%
26		<b>White</b>	000 ⇔ 255	0-100%
27		<b>Red 1 (Cyan)</b>	000 ⇔ 255	0-100%
28		<b>Green 1 (Magenta)</b>	000 ⇔ 255	0-100%
29		<b>Blue 1 (Yellow)</b>	000 ⇔ 255	0-100%
30		<b>White 1</b>	000 ⇔ 255	0-100%
31		<b>Red 2 (Cyan)</b>	000 ⇔ 255	0-100%
32		<b>Green 2 (Magenta)</b>	000 ⇔ 255	0-100%
33		<b>Blue 2 (Yellow)</b>	000 ⇔ 255	0-100%
34		<b>White 2</b>	000 ⇔ 255	0-100%
35		<b>Red 3 (Cyan)</b>	000 ⇔ 255	0-100%
36		<b>Green 3 (Magenta)</b>	000 ⇔ 255	0-100%
37		<b>Blue 3 (Yellow)</b>	000 ⇔ 255	0-100%
38		<b>White 3</b>	000 ⇔ 255	0-100%
39		<b>Red 4 (Cyan)</b>	000 ⇔ 255	0-100%
40		<b>Green 4 (Magenta)</b>	000 ⇔ 255	0-100%
41		<b>Blue 4 (Yellow)</b>	000 ⇔ 255	0-100%
42		<b>White 4</b>	000 ⇔ 255	0-100%
43		<b>Red 5 (Cyan)</b>	000 ⇔ 255	0-100%
44		<b>Green 5 (Magenta)</b>	000 ⇔ 255	0-100%
45		<b>Blue 5 (Yellow)</b>	000 ⇔ 255	0-100%
46		<b>White 5</b>	000 ⇔ 255	0-100%
47		<b>Red 6 (Cyan)</b>	000 ⇔ 255	0-100%

62	Channel	Function	Value	Percent/Setting
	48	Green 6 (Magenta)	000 ⇔ 255	0-100%
	49	Blue 6 (Yellow)	000 ⇔ 255	0-100%
	50	White 6	000 ⇔ 255	0-100%
	51	Red 7 (Cyan)	000 ⇔ 255	0-100%
	52	Green 7 (Magenta)	000 ⇔ 255	0-100%
	53	Blue 7 (Yellow)	000 ⇔ 255	0-100%
	54	White 7	000 ⇔ 255	0-100%
	55	Red 8 (Cyan)	000 ⇔ 255	0-100%
	56	Green 8 (Magenta)	000 ⇔ 255	0-100%
	57	Blue 8 (Yellow)	000 ⇔ 255	0-100%
	58	White 8	000 ⇔ 255	0-100%
	59	Red 9 (Cyan)	000 ⇔ 255	0-100%
	60	Green 9 (Magenta)	000 ⇔ 255	0-100%
	61	Blue 9 (Yellow)	000 ⇔ 255	0-100%
	62	White 9	000 ⇔ 255	0-100%

21	Channel	Function	Value	Percent/Setting
	1	Pan	000 ⇔ 255	0-100%
	2	Fine Pan	000 ⇔ 255	Fine control (16-bit)
	3	Tilt	000 ⇔ 255	0-100%
	4	Fine Tilt	000 ⇔ 255	Fine control (16-bit)
	5	Pan/Tilt Speed	000 ⇔ 255	0-100%
	6	Dimmer	000 ⇔ 255	0-100%
	7	Shutter	000 ⇔ 019	off
			020 ⇔ 024	on
			025 ⇔ 064	strobe 1 with decreasing speed
			065 ⇔ 069	on
			070 ⇔ 084	strobe 2 (fast on slow off) with decreasing speed
			085 ⇔ 089	on
			090 ⇔ 104	strobe 3 (slow on fast off) with decreasing speed
			105 ⇔ 109	on
			110 ⇔ 124	strobe 4 (random strobe) with decreasing speed
			125 ⇔ 129	on
			130 ⇔ 144	strobe 5 (random fast on slow off) with decreasing speed
			145 ⇔ 149	on
			150 ⇔ 164	strobe 6 (random slow on fast off) with decreasing speed
			165 ⇔ 169	on
	170 ⇔ 184	strobe 7 (pulse strobe) with decreasing speed		
	185 ⇔ 189	on		
	190 ⇔ 204	strobe 8 (random pulse strobe) with decreasing speed		
	205 ⇔ 209	on		
	210 ⇔ 224	strobe 9 (fade on or off) with decreasing speed		
	225 ⇔ 229	on		
	230 ⇔ 244	strobe 10 (pulse strobe) with decreasing speed		
	245 ⇔ 255	on		
	8	CTC	000	No function
			001 ⇔ 255	2800 to 10,000 K



21	Channel	Function	Value	Percent/Setting			
			000	No function			
			001 ⇔ 002	2700K	R:156	G: 118	B: 0 W: 63
			003 ⇔ 004	3200K	R:156	G: 141	B: 5 W: 89
			005 ⇔ 006	4200K	R:156	G: 141	B: 14 W: 255
			007 ⇔ 008	5600K	R:156	G: 207	B: 54 W: 255
			009 ⇔ 010	8000K	R:130	G: 255	B: 96 W: 255
			11	Blue	R: 0	G: 0	B: 255 W: 0
			012 ⇔ 048		R: 0	G: +	B: 255 W: 0
			049	Cyan	R: 0	G: 255	B: 255 W: 0
			050 ⇔ 086		R: 0	G: 255	B: - W: 0
			087	Green	R: 0	G: 255	B: 0 W: 0
			088 ⇔ 124		R: +	G: 255	B: 0 W: 0
			125	Yellow	R: 255	G: 255	B: 0 W: 0
			126 ⇔ 162		R: 255	G: -	B: 0 W: 0
			163	Red	R: 255	G: 0	B: 0 W: 0
			164 ⇔ 200		R: 255	G: 0	B: + W: 0
			201	Magenta	R: 255	G: 0	B: 255 W: 0
			202 ⇔ 238		R: -	G: 0	B: 255 W: 0
			239	Blue	R: 0	G: 0	B: 255 W: 0
			240 ⇔ 247	Color change, fast to slow			
			248 ⇔ 255	Color jump, fast to slow			
			000 ⇔ 003	No function			
			004 ⇔ 006	Gobo 1			
			007 ⇔ 009	Gobo 2			
			010 ⇔ 012	Gobo 3			
			013 ⇔ 015	Gobo 4			
			016 ⇔ 018	Gobo 5			
			019 ⇔ 021	Gobo 6			
			022 ⇔ 024	Gobo 7			
			025 ⇔ 027	Gobo 8			
			028 ⇔ 030	Gobo 9			
			031 ⇔ 033	No Gobo			
			034 ⇔ 036	Gobo 10			
			037 ⇔ 039	Gobo 11			
			040 ⇔ 042	Gobo 12			
			043 ⇔ 045	Gobo 13			
			046 ⇔ 048	Gobo 14			
			049 ⇔ 051	Gobo 15			
			052 ⇔ 054	Gobo 16			
			055 ⇔ 057	Gobo 17			
			058 ⇔ 060	Gobo 18			
			061 ⇔ 063	Gobo 19			
			064 ⇔ 066	Gobo 20			
			067 ⇔ 069	Gobo 21			
			070 ⇔ 072	Gobo 22			
			073 ⇔ 075	Gobo 23			
			076 ⇔ 078	Gobo 24			
			079 ⇔ 081	Gobo 25			
			082 ⇔ 084	Gobo 26			
			085 ⇔ 087	Gobo 27			
			088 ⇔ 090	Gobo 28			
			091 ⇔ 093	Gobo 29			
			094 ⇔ 096	Gobo 30			
			097 ⇔ 099	Gobo 31			
			100 ⇔ 102	Gobo 32			
			103 ⇔ 105	Gobo 33			
			106 ⇔ 108	Gobo 34			
			109 ⇔ 111	Gobo 35			
			112 ⇔ 114	Gobo 36			
			115 ⇔ 117	Gobo 37			
			118 ⇔ 120	Gobo 38			
			121 ⇔ 123	Gobo 39			

21	Channel	Function	Value	Percent/Setting
			124 ⇄ 126	Gobo 40
			127 ⇄ 129	Gobo 41
			130 ⇄ 132	Gobo 42
			133 ⇄ 135	Gobo 43
			136 ⇄ 138	Gobo 44
			139 ⇄ 141	Gobo 45
			142 ⇄ 144	Gobo 46
			145 ⇄ 147	Gobo 47
			148 ⇄ 150	Gobo 48
			151 ⇄ 153	Gobo 49
			154 ⇄ 156	Gobo 50
			157 ⇄ 159	Gobo 51
			160 ⇄ 162	Gobo 52
			163 ⇄ 165	Gobo 53
			166 ⇄ 168	Gobo 54
			169 ⇄ 171	Gobo 55
			172 ⇄ 174	Gobo 56
			175 ⇄ 177	Gobo 57
			178 ⇄ 180	Gobo 58
			181 ⇄ 183	Gobo 59
			184 ⇄ 186	Gobo 60
			187 ⇄ 189	Gobo 61
			190 ⇄ 192	Gobo 62
			193 ⇄ 195	Gobo 63
			196 ⇄ 198	Gobo 64
			199 ⇄ 201	Gobo 65
			202 ⇄ 204	Gobo 66
			205 ⇄ 207	Gobo 67
			208 ⇄ 210	Gobo 68
			211 ⇄ 213	Gobo 69
			214 ⇄ 216	Gobo 70
			217 ⇄ 219	Gobo 71
			220 ⇄ 222	Gobo 72
			223 ⇄ 225	Gobo 73
			226 ⇄ 228	Gobo 74
			229 ⇄ 231	Gobo 75
			232 ⇄ 234	Gobo 76
			235 ⇄ 237	Gobo 77
			238 ⇄ 240	Gobo 78
			241 ⇄ 243	Gobo 79
			244 ⇄ 246	Gobo 80
			247 ⇄ 249	Gobo 81
			250 ⇄ 252	Gobo 82
			253 ⇄ 255	Gobo 83

21	Channel	Function	Value	Percent/Setting
			001 ⇔ 015	No function
			016 ⇔ 017	Built-in 1
			018 ⇔ 019	Built-in 2
			020 ⇔ 021	Built-in 3
			022 ⇔ 023	Built-in 4
			024 ⇔ 025	Built-in 5
			026 ⇔ 027	Built-in 6
			028 ⇔ 029	Built-in 7
			030 ⇔ 031	Built-in 8
			032 ⇔ 033	Built-in 9
			034 ⇔ 035	Built-in 10
			036 ⇔ 037	Built-in 11
			038 ⇔ 039	Built-in 12
			040 ⇔ 041	Built-in 13
			042 ⇔ 043	Built-in 14
			044 ⇔ 045	Built-in 15
			046 ⇔ 047	Built-in 16
			048 ⇔ 049	Built-in 17
			050 ⇔ 051	Built-in 18
			052 ⇔ 053	Built-in 19
			054 ⇔ 055	Built-in 20
			056 ⇔ 057	Built-in 21
			058 ⇔ 059	Built-in 22
			060 ⇔ 061	Built-in 23
			062 ⇔ 063	Built-in 24
			064 ⇔ 065	Built-in 25
			066 ⇔ 067	Built-in 26
			068 ⇔ 069	Built-in 27
			070 ⇔ 071	Built-in 28
			072 ⇔ 073	Built-in 29
			074 ⇔ 075	Built-in 30
	11	LED Built-in	076 ⇔ 077	Built-in 31
			078 ⇔ 079	Built-in 32
			080 ⇔ 081	Built-in 33
			082 ⇔ 083	Built-in 34
			084 ⇔ 085	Built-in 35
			086 ⇔ 087	Built-in 36
			088 ⇔ 089	Built-in 37
			090 ⇔ 091	Built-in 38
			092 ⇔ 093	Built-in 39
			094 ⇔ 095	Built-in 40
			096 ⇔ 097	Built-in 41
			098 ⇔ 099	Built-in 42
			100 ⇔ 101	Built-in 43
			102 ⇔ 103	Built-in 44
			104 ⇔ 105	Built-in 45
			106 ⇔ 107	Built-in 46
			108 ⇔ 109	Built-in 47
			110 ⇔ 111	Built-in 48
			112 ⇔ 113	Built-in 49
			114 ⇔ 115	Built-in 50
			116 ⇔ 117	Built-in 51
			118 ⇔ 119	Built-in 52
			120 ⇔ 121	Built-in 53
			122 ⇔ 123	Built-in 54
			124 ⇔ 125	Built-in 55
			126 ⇔ 127	Built-in 56
			128 ⇔ 135	Built-in 57
			136 ⇔ 137	Built-in 58
			138 ⇔ 139	Built-in 59
			140 ⇔ 141	Built-in 60
			142 ⇔ 143	Built-in 61
			144 ⇔ 145	Built-in 62

21	Channel	Function	Value	Percent/Setting
	11	LED Built-in	146 ⇄ 147	Built-in 63
			148 ⇄ 149	Built-in 64
			150 ⇄ 151	Built-in 65
			152 ⇄ 153	Built-in 66
			154 ⇄ 155	Built-in 67
			156 ⇄ 157	Built-in 68
			158 ⇄ 159	Built-in 69
			160 ⇄ 161	Built-in 70
			162 ⇄ 163	Built-in 71
			164 ⇄ 165	Built-in 72
			166 ⇄ 167	Built-in 73
			168 ⇄ 169	Built-in 74
			170 ⇄ 171	Built-in 75
			172 ⇄ 173	Built-in 76
			174 ⇄ 175	Built-in 77
			176 ⇄ 177	Built-in 78
			178 ⇄ 179	Built-in 79
			180 ⇄ 181	Built-in 80
			182 ⇄ 183	Built-in 81
			184 ⇄ 185	Built-in 82
			186 ⇄ 187	Built-in 83
			188 ⇄ 189	Built-in 84
			190 ⇄ 191	Built-in 85
			192 ⇄ 193	Built-in 86
			194 ⇄ 195	Built-in 87
			196 ⇄ 197	Built-in 88
			198 ⇄ 199	Built-in 89
			200 ⇄ 201	Built-in 90
			202 ⇄ 203	Built-in 91
			204 ⇄ 205	Built-in 92
			206 ⇄ 207	Built-in 93
			208 ⇄ 209	Built-in 94
210 ⇄ 211	Built-in 95			
212 ⇄ 213	Built-in 96			
214 ⇄ 215	Built-in 97			
216 ⇄ 217	Built-in 98			
218 ⇄ 219	Built-in 99			
220 ⇄ 221	Built-in 100			
222 ⇄ 223	Built-in 101			
224 ⇄ 225	Built-in 102			
226 ⇄ 227	Built-in 103			
228 ⇄ 229	Built-in 104			
230 ⇄ 231	Built-in 105			
232 ⇄ 233	Built-in 106			
234 ⇄ 235	Built-in 107			
236 ⇄ 237	Built-in 108			
238 ⇄ 239	Built-in 109			
240 ⇄ 241	Built-in 110			
242 ⇄ 243	Built-in 111			
244 ⇄ 245	Built-in 112			
246 ⇄ 247	Built-in 113			
248 ⇄ 255	Built-in 114			
12	LED Built-in Speed	001 ⇄ 127	Clockwise fast to slow	
		128	Stop	
		129 ⇄ 255	Counter-clockwise slow to fast	
13	LED Built-in Delay	000 ⇄ 255	Fast to slow	

21	Channel	Function	Value	Percent/Setting			
14	Background Color Macros	000	No function				
		001 ⇔ 002	2700K	R:156	G: 118	B: 0	W: 63
		003 ⇔ 004	3200K	R:156	G: 141	B: 5	W: 89
		005 ⇔ 006	4200K	R:156	G: 141	B: 14	W: 255
		007 ⇔ 008	5600K	R:156	G: 207	B: 54	W: 255
		009 ⇔ 010	8000K	R:130	G: 255	B: 96	W: 255
		11	Blue	R: 0	G: 0	B: 255	W: 0
		012 ⇔ 048		R: 0	G: +	B: 255	W: 0
		049	Cyan	R: 0	G: 255	B: 255	W: 0
		050 ⇔ 086		R: 0	G: 255	B: -	W: 0
		087	Green	R: 0	G: 255	B: 0	W: 0
		088 ⇔ 124		R: +	G: 255	B: 0	W: 0
		125	Yellow	R: 255	G: 255	B: 0	W: 0
		126 ⇔ 162		R: 255	G: -	B: 0	W: 0
		163	Red	R: 255	G: 0	B: 0	W: 0
		164 ⇔ 200		R: 255	G: 0	B: +	W: 0
		201	Magenta	R: 255	G: 0	B: 255	W: 0
202 ⇔ 238		R: -	G: 0	B: 255	W: 0		
239	Blue	R: 0	G: 0	B: 255	W: 0		
240 ⇔ 247	Color change, fast to slow						
248 ⇔ 255	Color jump, fast to slow						
15	Background Color Dimmer	000 ⇔ 255	0-100%				
16	Zoom	000 ⇔ 255	0-100%				
17	Control	001 ⇔ 009	No function				
		010 ⇔ 014	Pan/Tilt blackout				
		015 ⇔ 019	No function				
		020 ⇔ 024	RGBW color mixing (5 sec.)				
		025 ⇔ 029	CMY color mixing (5 sec.)				
		030 ⇔ 034	No function				
		035 ⇔ 039	No function				
		040 ⇔ 044	No function				
		045 ⇔ 049	No function				
		050 ⇔ 054	Pan reset				
		055 ⇔ 059	Tilt reset				
		060 ⇔ 064	Zoom reset				
		065 ⇔ 069	No function				
		070 ⇔ 074	All reset				
		075 ⇔ 079	No function				
		080 ⇔ 084	Pan/Tilt reverse				
		085 ⇔ 089	Pan reverse				
		090 ⇔ 094	Tilt reverse				
		095 ⇔ 099	Cancel pan reverse				
		100 ⇔ 104	Cancel tilt reverse				
		105 ⇔ 109	Cancel pan/tilt reverse				
110 ⇔ 114	No function						
115 ⇔ 119	No function						
120 ⇔ 124	Fan low speed						
125 ⇔ 129	Fan full speed						
130 ⇔ 134	Fan auto						
135 ⇔ 139	Dimmer Fast mode						
140 ⇔ 144	Dimmer Smooth mode						
145 ⇔ 255	No function						
18	Red (Cyan)	000 ⇔ 255	0-100%				
19	Green (Magenta)	000 ⇔ 255	0-100%				
20	Blue (Yellow)	000 ⇔ 255	0-100%				
21	White	000 ⇔ 255	0-100%				

## 6. TECHNICAL INFORMATION

### Product Maintenance

To maintain optimum performance and minimize wear, clean this product frequently. Usage and environment are contributing factors in determining the cleaning frequency.

Clean this product at least twice a month. Dust build-up reduces light output performance and can cause overheating. This can lead to reduced light source life and increased mechanical wear.

To clean the product:

1. Unplug the product from power.
2. Wait until the product is at room temperature.
3. Use a vacuum (or dry compressed air) and a soft brush to remove dust collected on the external vents.
4. Clean all transparent surfaces with a mild soap solution or ammonia-free glass cleaner.
5. Apply the solution directly to a soft, lint free cotton cloth or a lens cleaning tissue.
6. Softly drag any dirt or grime to the outside of the transparent surface.
7. Gently polish the transparent surfaces until they are free of haze and lint.



**Always dry the transparent surfaces carefully after cleaning them.**

## 7. TECHNICAL SPECIFICATIONS

### Dimensions and Weight

Length	Width	Height	Weight
15.51 in (394 mm)	11.73 in (298 mm)	18.51 in (470 mm)	38.5 lb (17.46 kg)

**Note:** Dimensions in inches rounded to the nearest decimal digit.

### Power

Power Supply Type	Range	Voltage Selection
Switching (internal)	100 to 240 VAC, 50/60 Hz	Auto-ranging

Parameter	120 V, 60 Hz	230 V, 50 Hz
Consumption	660 W	704 W
Operating Current	6.21 A	3.10 A
Power linking current (products)	13.6 A (2 products)	13.6 A (4 products)
Fuse	F 10 A, 250 V	F 10 A, 250 V

Power I/O	U.S./Worldwide	UK/Europe
Power input connector	Neutrik powerCON	Neutrik powerCON
Power output connector	Neutrik powerCON	Neutrik powerCON
Power Cord plug	Edison (U.S.)	Local Plug

### Light Source

Type	Power	Lifespan
LED	15 W	50,000 hours

Color	Quantity	Current
Quad-color RGBW	37	1 A

### Photometrics

Strobe Rate	Beam Angle	Field Angle	Zoom Range
0 to 20 Hz	8° to 30°	12° to 49°	9.3° to 62.6°

Cutoff Angle	Illuminance (12°) @ 5 m	Illuminance (49°) @ 5 m
13.1° to 62.6°	21,000 lux	1,902 lux

### Thermal

Maximum External Temperature	Cooling System
113 °F (45 °C)	Convection

### DMX

I/O Connector	Channel Range
3- and 5-pin XLR	21, 62, 71 or 107

### Ordering

Product Name	Item Code	UPC Number
Rogue R3 Wash	08011259	781462216078



UL 1573  
CSA C22.2 No. 166  
E113093



RoHS



## RETURNS

Send the product prepaid, in the original box, and with the original packing and accessories. Chauvet will not issue call tags.

Call Chauvet and request a Return Merchandise Authorization (RMA) number before shipping the product. Be prepared to provide the model number, serial number, and a brief description of the cause(s) for the return.

Clearly label the package with an RMA number. Chauvet will refuse any product returned without an RMA number.



**Write the RMA number on a properly affixed label. DO NOT write the RMA number directly on the box.**

Once you have the RMA number, provide the following information on a piece of paper and place it inside the box:

- Your name
- Your address
- Your phone number
- RMA number
- A brief description of the problem

Be sure to pack the product properly. Any shipping damage resulting from inadequate packaging will be your responsibility. FedEx packing or double-boxing are recommended.



**Chauvet reserves the right to use its own discretion to repair or replace returned product(s).**



## Contact Us

General Information	Technical Support
<b>Chauvet World Headquarters</b>	
Address: 5200 NW 108th Ave. Sunrise, FL 33351 Voice: (954) 577-4455 Fax: (954) 929-5560 Toll Free: (800) 762-1084	Voice: (844) 393-7575 Fax: (954) 756-8015 Email: <a href="mailto:chauvetcs@chauvetlighting.com">chauvetcs@chauvetlighting.com</a> Website: <a href="http://www.chauvetprofessional.com">www.chauvetprofessional.com</a>
<b>Chauvet Europe Ltd</b>	
Address: Unit 1C Brookhill Road Industrial Estate Pinxton, Nottingham, UK NG16 6NT Voice: +44 (0) 1773 511115 Fax: +44 (0) 1773 511110	Email: <a href="mailto:UKtech@chauvetlighting.eu">UKtech@chauvetlighting.eu</a> Website: <a href="http://www.chauvetprofessional.eu">www.chauvetprofessional.eu</a>
<b>Chauvet Europe BVBA</b>	
Address: Stokstraat 18 9770 Kruishoutem Belgium Voice: +32 9 388 93 97	Email: <a href="mailto:BNLtech@chauvetlighting.eu">BNLtech@chauvetlighting.eu</a> Website: <a href="http://www.chauvetprofessional.eu">www.chauvetprofessional.eu</a>
<b>Chauvet France</b>	
Address: 3, Rue Ampère 91380 Chilly-Mazarin France Voice: +33 1 78 85 33 59	Email: <a href="mailto:FRtech@chauvetlighting.fr">FRtech@chauvetlighting.fr</a> Website: <a href="http://www.chauvetprofessional.eu">www.chauvetprofessional.eu</a>
<b>Chauvet Germany</b>	
Address: Bruno-Bürgel-Str. 11 28759 Bremen Germany Voice: +49 421 62 60 20	Email: <a href="mailto:DEtech@chauvetlighting.de">DEtech@chauvetlighting.de</a> Website: <a href="http://www.chauvetprofessional.eu">www.chauvetprofessional.eu</a>
<b>Chauvet Mexico</b>	
Address: Av. de las Partidas 34 - 3B (Entrance by Calle 2) Zona Industrial Lerma Lerma, Edo. de México, CP 52000 Voice: +52 (728) 690-2010	Email: <a href="mailto:servicio@chauvet.com.mx">servicio@chauvet.com.mx</a> Website: <a href="http://www.chauvetprofessional.mx">www.chauvetprofessional.mx</a>

Visit the applicable website above to verify our contact information and instructions to request support. Outside the U.S., United Kingdom, Ireland, Mexico or Benelux, contact the dealer of record.