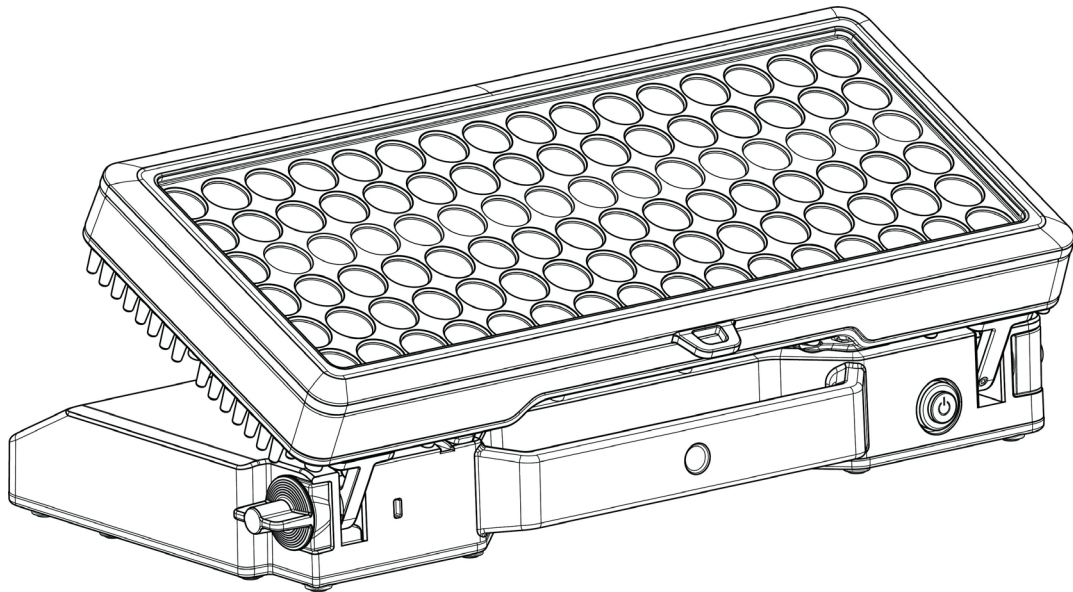


WELL PAD

WIRELESS EVENT LED LUMINAIRE

User Manual




CHAUVET
PROFESSIONAL

Edition Notes

The WELL Pad User Manual includes a description, safety precautions, installation, programming, operation and maintenance instructions for the WELL Pad as of the release date of this edition.

Trademarks

CHAUVET, the Chauvet logo and WELL Pad are registered trademarks or trademarks of Chauvet & Sons, LLC (d/b/a Chauvet and Chauvet Lighting) in the United States and other countries. Other company and product names and logos referred to herein may be trademarks of their respective companies.

Copyright Notice

The works of authorship contained in this manual, including, but not limited to, all design, text and images are owned by Chauvet.

© Copyright 2018 Chauvet & Sons, LLC. All rights reserved.

Electronically published by Chauvet in the United States of America.

Manual Use

Chauvet authorizes its customers to download and print this manual for professional information purposes only. Chauvet expressly prohibits the usage, copy, storage, distribution, modification, or printing of this manual or its content for any other purpose without written consent from Chauvet.

Document Printing

For best results, print this document in color, on letter size paper (8.5 x 11 in), double-sided. If using A4 paper (210 x 297 mm), configure the printer to scale the content accordingly.

Intended Audience

Any person installing, operating, and/or maintaining this product should completely read through the guide that shipped with the product, as well as this manual, before installing, operating, or maintaining this product.

Disclaimer

Chauvet believes that the information contained in this manual is accurate in all respects. However, Chauvet assumes no responsibility and specifically disclaims any and all liability to any party for any loss, damage or disruption caused by any errors or omissions in this document, whether such errors or omissions result from negligence, accident or any other cause. Chauvet reserves the right to revise the content of this document without any obligation to notify any person or company of such revision, however, Chauvet has no obligation to make, and does not commit to make, any such revisions. Download the latest version from www.chauvetprofessional.com.

Document Revision

This WELL Pad User Manual is the 1st edition of this document. Go to www.chauvetprofessional.com for the latest version.

TABLE OF CONTENTS

1. Before You Begin	1
What Is Included	1
Claims	1
Manual Conventions	1
Symbols	1
Safety Notes.....	2
Personal Safety.....	2
Mounting and Rigging	2
Power and Wiring.....	2
Operation	2
Expected LED Lifespan.....	2
2. Introduction	3
Description	3
Features.....	3
Product Overview.....	3
Product Dimensions.....	3
3. Setup	4
AC Power.....	4
AC Plug.....	4
Battery Charge Notes.....	4
Replacing the Fuse	4
DMX Linking.....	4
DMX Personalities.....	4
Wireless Operation.....	5
Initial Setup	5
Configuration.....	5
Product Pairing.....	5
Storage Notes	5
Master/Slave Connectivity.....	6
Mounting	6
Orientation.....	6
Rigging.....	6
Procedure.....	6
4. Operation	7
Control Panel Operation.....	7
Control Options	7
Programming.....	7
Control Panel Lock.....	7
Passcode	7
Menu Map	7
Configuration (DMX)	10
Control Personalities	10
Starting Address.....	10
DMX Values	11
10Ch.....	11
6Ch.....	11
4Ch.....	12
HSV.....	12
HSI.....	12

Configuration (Standalone)	12
Auto Programs	12
Static Mode	12
Dimmer Profiles.....	12
White Balance	13
LED Frequency	13
Back Light	13
System Information	13
Factory Reset.....	13
Master/Slave	13
Virtual Color Wheel (VCW)	14
Virtual Color Wheel Chart	14
IR Infrared Remote Control	15
IR Remote Operation	15
5. Technical Information	16
Product Maintenance	16
6. Technical Specifications	17
Photometrics Charts.....	18
Returns	19
Contact Us	20

Before You Begin

1. Before You Begin

What Is Included

- 4x WELL Pad
- Charging Case
- IR Remote
- 4x Diffusion Filter
- Neutrik® powerCON® Power Cable
- Quick Reference Guide

Claims

Carefully unpack the product immediately and check the container to make sure all the parts are in the package and are in good condition.





If the box or the contents (the product and included accessories) appear damaged from shipping, or show signs of mishandling, notify the carrier immediately, not Chauvet. Failure to report damage to the carrier immediately may invalidate your claim. In addition, keep the box and contents for inspection.

For other issues, such as missing components or parts, damage not related to shipping, or concealed damage, file a claim with Chauvet within 7 days of delivery.

Manual Conventions

Convention	Meaning
1–512	A range of values
50/60	A set of values of which only one can be chosen
<SET>	A button on the product's control panel
Settings	A product function or a menu option

Symbols

Symbol	Meaning
	Electrical warning. Not following these instructions may cause electrical damage to the product, accessories, or the user.
	Critical installation, configuration, or operation information. Not following these instructions may make the product not work, cause damage to the product, or cause harm to the operator.
	Important installation or configuration information. The product may not function correctly if this information is not used.
	Useful information.



Any reference to data or power connections in this manual assumes the use of Seetronic IP rated cables.



The term “DMX” used throughout this manual refers to the USITT DMX512-A digital data transmission protocol.

Safety Notes

Read all the following safety notes before working with this product. These notes contain important information about the installation, usage, and maintenance of this product.



This product contains no user-serviceable parts. Any reference to servicing in this User Manual will only apply to properly trained, certified technicians. Do not open the housing or attempt any repairs.



All applicable local codes and regulations apply to proper installation of this product.

Personal Safety

- Avoid direct eye exposure to the light source while the product is on.
- Always disconnect the product from the power source before cleaning or replacing the fuse.
- Always connect the product to a grounded circuit to avoid the risk of electrocution.
- Do not touch the product's housing when operating because it may be very hot.

Mounting and Rigging

- Do not submerge this product (IP65). Temporary outdoor operation is fine.
- When using this product in an outdoor environment, use IP65 (or higher) rated power and data cables. Secure unused power and data ports with attached IP65 covers.
- CAUTION: When transferring product from extreme temperature environments, (e.g., cold truck to warm, humid ballroom) condensation may form on the internal electronics of the product. To avoid causing a failure, allow product to fully acclimate to the surrounding environment before connecting it to power.
- Not for permanent outdoor installation in locations with extreme environmental conditions. This includes, but is not limited to:
 - Exposure to a marine/saline environment (within 3 miles of a saltwater body of water).
 - Locations where the normal high or low temperatures exceed the temperature ranges in this manual.
 - Locations that are prone to flooding or being buried in snow.
 - Areas where the product will be subjected to extreme radiation or caustic substances.
- Mount this product in a location with adequate ventilation, at least 20 in (50 cm) from adjacent surfaces.
- Make sure there are no flammable materials close to the product when operating.
- When hanging this product, always secure to a fastening device using a safety cable.

Power and Wiring

- Always make sure you are connecting the product to the proper voltage in accordance with the specifications in this manual or on the product's specification label.
- Never connect the product to a dimmer pack or rheostat.
- Never disconnect this product by pulling or tugging on the power cable.

Operation

- Do not operate this product if there is damage on the housing, lenses, or cables. Have the damaged parts replaced by an authorized technician at once.
- Do not cover the ventilation slots when operating to avoid internal overheating.
- The maximum ambient temperature is 113 °F (45 °C). Do not operate the product at higher temperatures.
- The minimum startup temperature is -4°F (-20°C). Do not start the product at lower temperatures.
- The minimum ambient temperature is -22°F (-30°C). Do not operate the product at lower temperatures.
- In the event of a serious operation problem, stop using this product immediately!



If your Chauvet product requires service, contact Chauvet Technical Support.

Expected LED Lifespan

LEDs gradually decline in brightness over time, primarily because of heat. LEDs that are arranged in clusters experience higher operating temperatures than single LEDs. For this reason, operating clustered LEDs at their fullest intensity significantly reduces the LEDs' lifespan. Under normal conditions, this lifespan is 40,000 to 50,000 hours. If extending this lifespan is vital, lower the operating temperature by improving the ventilation around the product, thus reducing the ambient temperature. In addition, limiting the overall projection intensity may extend the LEDs' lifespan.

2. Introduction

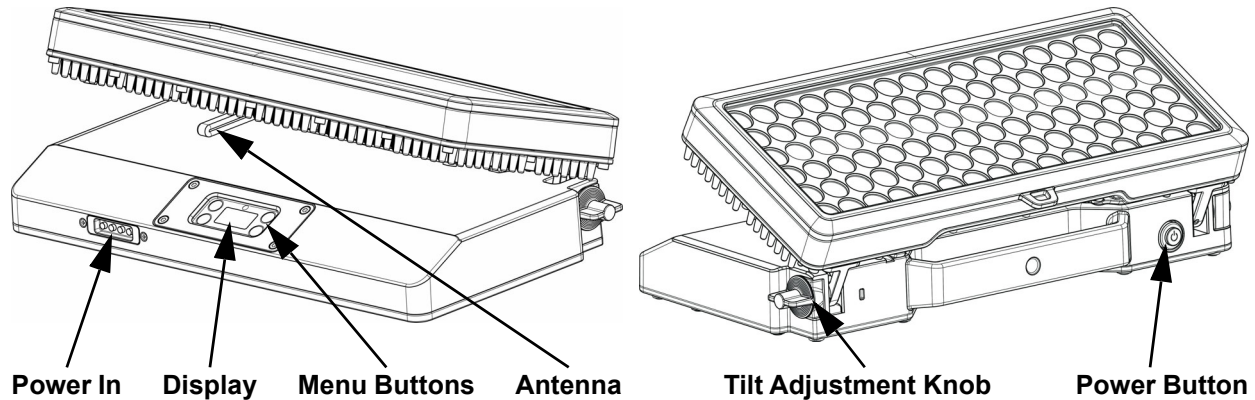
Description

The WELL Pad is an outdoor-ready, completely wireless, battery-powered rectangular RGBA LED wash light featuring 96 LEDs in red, green, blue, and amber. It can be controlled by WDMX, by an included IR remote, or manually from the OLED display on the product. 90-degree rotation of the panel from the base allows easy direction of light. Selectable PWM ensures the WELL Pad is always camera-ready.

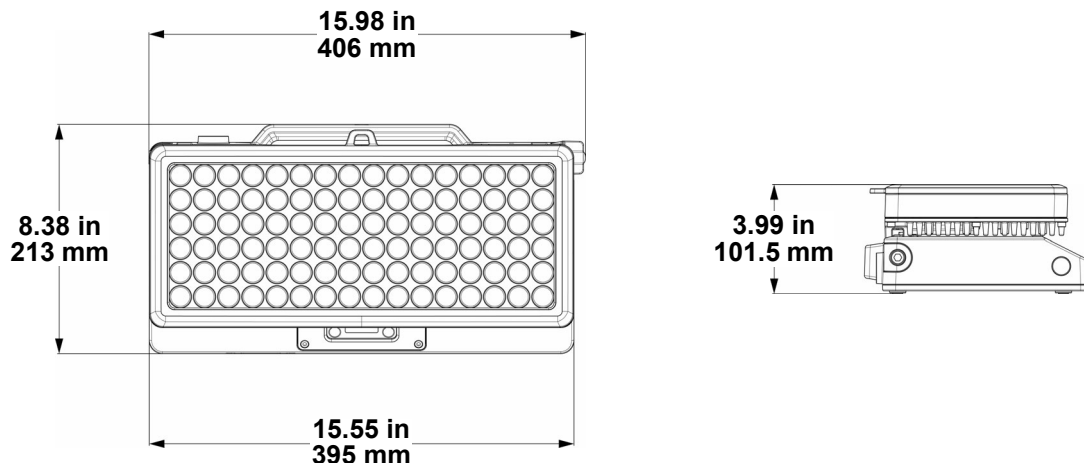
Features

- Operating modes:
 - 4Ch: RGBA control
 - 6Ch: Dimmer, RGBA control, strobe
 - 10Ch: Dimmer, RGBA control, strobe, color macros, auto programs, auto speed, dimmer speed mode
 - HSV: Hue, saturation, value
 - HSI: Hue, saturation, intensity
- A completely wireless, IP65 rated, battery powered up-light with 96 single color (red, green, blue, and amber) LEDs that is controlled by W-DMX or IR remote.
- Drop in case for easy storage and recharging of the battery
- Magnetic diffuser filter included
- 9 hours of operation at full output with a recharge time of 6 hours
- Built in automated programs recallable by IR, W-DMX or manually.
- 90-degree rotation of the panel from the base for easy direction of light
- M12 threaded insert for easy clamp installation and a Kensington lock position for securing your investment.
- IP65 rating for temporary outdoor usage

Product Overview



Product Dimensions



3. Setup

AC Power

Each WELL Pad has an auto-ranging battery charger inside the charging case that works with an input voltage range of 100 to 240 VAC, 50/60 Hz. To determine the power requirements for the WELL Pad, refer to the label affixed to the product. You can also refer to the Technical Specifications chart in this manual.

The listed current rating indicates the maximum current draw during normal operation. For more information, download Sizing Circuit Breakers from the Chauvet website: www.chauvetprofessional.com.



- **Always connect the product to a protected circuit (circuit breaker or fuse). Make sure the product has an appropriate electrical ground to avoid the risk of electrocution or fire.**
- **To eliminate unnecessary wear and improve its lifespan, during periods of non-use completely disconnect the product from power via breaker or by unplugging it.**



Never connect the product to a rheostat (variable resistor) or dimmer circuit, even if the rheostat or dimmer channel serves only as a 0 to 100% switch.

AC Plug

The WELL Pad charging case comes with a power input cord terminated with a Neutrik® powerCON® connector on one end and an Edison plug on the other end (U.S. market). If the power input cord that came with your product has no plug, or if you need to change the plug, use the table below to wire the new plug.

Connection	Wire (U.S.)	Wire (Europe)	Screw Color
AC Live	Black	Brown	Yellow or Brass
AC Neutral	White	Blue	Silver
AC Ground	Green/Yellow	Green/Yellow	Green

Battery Charge Notes

This product is equipped with a built-in rechargeable lithium ion battery.

- Avoid depleting the battery below 10%.
- For best results, charge the battery in a temperature between 32 °F (0 °C), and 95 °F (35 °C).
- When charging the battery, keep the product at least 1 m from any open flame or hot plate.
- If the battery is completely discharged, the device cannot be turned on immediately when the charger is connected. Allow a depleted battery to charge for a few minutes before turning on the device.
- While charging, the device may heat up. This is normal and should not affect the device's lifespan or performance. If the battery gets hotter than usual, the charger may stop charging.
- When charging the battery, keep the road case's cover open.
- Always charge the battery with the product in an upright position.
- Do not charge the battery for more than 24 hours.

Replacing the Fuse

The WELL Pad has no external fuse. However, the charging case comes with a replaceable fuse.

1. Disconnect the product from power.
2. Using a flat-head screwdriver, unscrew the fuse holder cap from the housing.
3. Remove the blown fuse and replace with a good fuse of the same type and rating.
4. Screw the fuse holder cap back in place and reconnect power.

DMX Linking

You can link the WELL Pad to a DMX controller using a wireless DMX connection. If using other DMX-compatible products with this product, you can control each individually with a single DMX controller.

DMX Personalities

The WELL Pad uses a wireless DMX data connection for the **4Ch**, **6Ch**, **10Ch**, **HSV**, and **HSI** DMX personalities.

- Refer to the [Introduction](#) chapter for a brief description of each DMX personality.
- Refer to the [Operation](#) chapter to learn how to configure the WELL Pad to work in these personalities.
- The [DMX Values](#) section provides detailed information regarding the control personalities.



If you are not familiar with or need more information about DMX standards, Master/Slave connectivity, or the DMX cables needed to link this product to a DMX controller, download the DMX Primer from the Chauvet website: www.chauvetprofessional.com.

Wireless Operation

In optimal conditions, the WELL Pad can operate up to 300 m (900 ft) away from the W-DMX transmitter. The W-DMX receiver in the WELL Pad must be paired with the W-DMX transmitter for wireless operation.



Once a WDMX receiver has been linked to a specific WDMX transmitter, it will remain linked to that specific transmitter until it is linked to a different one.

Initial Setup

1. Turn the W-DMX transmitter on.
2. Connect the W-DMX transmitter to a DMX controller.
3. Place the WELL Pad within 300 m from the W-DMX transmitter.
4. Turn the WELL Pad on.

Configuration

1. From the WELL Pad control panel, go to **DMX Address**.
2. Select the start address, as with any other DMX compatible product.
3. Go to **Wireless Setting > Operating Mode**.
4. Select **Receive**.
5. Go to **Wireless Setting > W-DMX On/Off**.
6. Select **On**. (The Signal Strength Indicator will show a ? in front of the bars).
7. Press the reset button on the W-DMX transmitter. (The Signal Strength Indicator on the WELL Pad will show a 4 in front of the bars for 3 seconds while a connection is established.)

Product Pairing

If the WELL Pad has already been paired with the W-DMX transmitter, the Signal Strength Indicator in the middle of the LCD screen will show the strength of the signal. In this case, the WELL Pad is ready to work in Wireless mode.

Pairing the WELL Pad and a new W-DMX transmitter:

1. From the WELL Pad control panel, go to **Wireless Setting > Receive Reset**.
2. Select **Yes**. The Signal Strength Indicator on the WELL Pad will show a ? in front of the bars.
3. From the W-DMX transmitter, press **<RESET>** (the Signal Indicator on the transmitter will flash).
4. Once the transmitter has found the WELL Pad, the Signal indicator on the W-DMX transmitter will illuminate solid.
5. The Signal Strength Indicator in the middle of the LCD screen on the WELL Pad will show the strength of the signal.



W-DMX operation can be interrupted or inhibited by liquid masses between the transmitter and receiver such as water, snow, or people. For best results, keep the area between the transmitter and receiver clear of any liquid mass.

Storage Notes

- Store charged product(s) in a dry environment, away from direct sunlight.
- Charge or discharge the battery to approximately 50% of capacity before storage.
- Lithium-Ion batteries continue to slowly discharge (self-discharge) when not in use or while in storage. Routinely check the battery's charge status
- Store the battery at temperatures between 41 °F and 68 °F (5 °C and 20 °C).

Master/Slave Connectivity

The Master/Slave mode allows an WELL Pad (the master) to control one or more WELL Pad products (the slaves) without a DMX controller. One WELL Pad becomes the master when running an auto program, or by being in Static mode.

You must configure each slave's control panel to operate in Slave mode. During Master/Slave operation, the slaves will operate in unison with the master.



DO NOT connect a DMX controller to products operating in Master/Slave mode. The DMX controller signals may interfere with the signals from the master.



- The [Operation](#) section of this manual provides detailed instructions on how to configure the master and slaves.
- If you are not familiar with or need more information about DMX standards, or the DMX cables needed to link this product to a DMX controller, download the DMX Primer from the Chauvet website: www.chauvetprofessional.com.

Mounting

Before mounting the product, read and follow the safety recommendations indicated in the Safety Notes. For our CHAUVET Professional line of mounting clamps, go to <http://trusst.com/products/>.

Orientation

Always mount this product in a safe position, making sure there is adequate room for ventilation, configuration, and maintenance.

Rigging

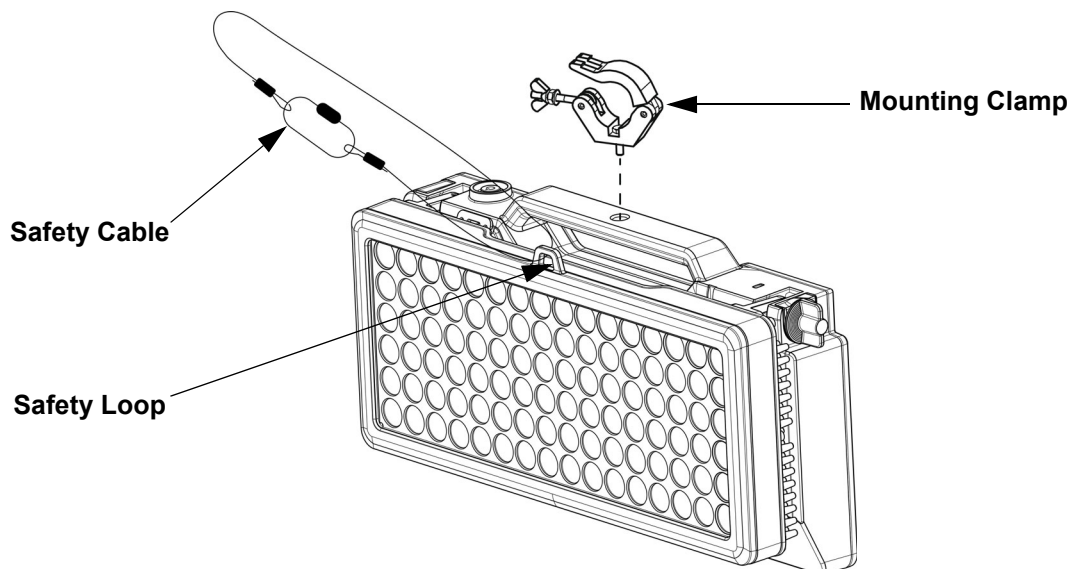
Chauvet recommends using the following general guidelines when mounting this product.

- Before deciding on a location for the product, make sure there is easy access to the product for maintenance and programming purposes.
- Make sure that the structure onto which you are mounting the product can support the product's weight. See the [Technical Specifications](#) for weight information.
- When mounting the product overhead, always use a safety cable. Mount the product securely to a rigging point, whether an elevated platform or a truss.
- When rigging the product onto a truss, use a mounting clamp of appropriate weight capacity.
- When power linking multiple products, mount the products close enough for power linking cables to reach.
- The bracket adjustment knobs allow for directional adjustment when aiming the product to the desired angle. Only loosen or tighten the bracket knobs manually. Using tools could damage the knobs.

Procedure

The WELL Pad comes with a bracket to which you can attach a mounting clamp directly. Mounting clamps are sold separately. Make sure the clamps are capable of supporting the weight of this product. Use at least one mounting point per product. For the CHAUVET Professional line of mounting clamps, go to <http://www.trusst.com/products>.

Mounting Diagram



4. Operation

Control Panel Operation

Button	Function
<MENU>	Exits from the current menu or function
<ENTER>	Enables the currently displayed menu or sets the currently selected value in to the current function
<UP>	Navigates upward through the menu list or increases the numeric value when in a function
<DOWN>	Navigates downward through the menu list or decreases the numeric value when in a function

Control Options

Set the WELL Pad starting address in the 001–512 DMX range. This enables control of up to 51 products in the 10-channel **10Ch** personality.

Programming

Refer to the Menu Map to understand the menu options. The menu map shows the main level and a variable number of programming levels for each option.

- To go to the desired main level, press <MENU> repeatedly until the option shows on the display. Press <ENTER> to select. This will take you to the first programming level for that option.
- To select an option or value within the current programming level, press <UP> or <DOWN> until the option shows on the display. Press <ENTER> to select. In this case, if there is another programming level, you will see that first option, or you will see the selected value.
- Press <MENU> repeatedly to exit to the previous main level.

Control Panel Lock

The setting locks or unlocks the control panel.

1. Go to the **Key Lock** main level.
2. Select **On** (locks control panel) or **Off** (control panel stays unlocked).



When the control panel lock is activated, the product will prompt for the passcode in order to access the menu. Enter the passcode as described below.

Passcode

After being prompted to enter the passcode, press <UP>, <DOWN>, <UP>, <DOWN>, <ENTER>.

Menu Map

Main Level	Programming Levels		Description
Auto Show	Auto 1–5	<001–100>	Automatic programs
Static	Fixed Color	R	Red
		G	Green
		B	Blue
		A	Amber
		GB	Green and blue
		RB	Red and blue
		RG	Red and green
		RGB	Red, green, and blue
		RA	Red and amber
		GA	Green and amber
		BA	Blue and amber
		RGA	Red, green, and amber
		RBA	Red, blue, and amber
		GBA	Green, blue, and amber
RGBA	Red, green, blue, and amber		

Main Level	Programming Levels		Description	
Static (cont.)	Virtual Color Wheel	C3050-Md Yellow	Virtual color wheel simulates the output of each gel color. Refer to the Virtual Color Wheel Chart section for specific values.	
		C3040-Lt Yellow		
		C3240-Amb Yellow		
		C2340-VLt Amber		
		C2040-Lt Amber		
		C2050-Md Amber		
		C2060-Dk Amber		
		C1050-Lt Red		
		C1080-Md Red		
		C1020-NC Pink		
		C1030-Md Pink		
		C1630-Dk Pink		
		C1250-Md Red Amber		
		C1060-Dk Red Amber		
		C1650-Magenta		
		C6170-Dk Magenta		
		C6020-Lt Lavender		
		C5030-Lt Blue		
		C5020-VLt Blue		
		C5430-Lt Blue2		
		C5070-Blue		
		C5050-Md Blue		
		C5060-Dk Blue		
		C5690- Indigo		
		C5080-VDk Blue		
		C5081-VDk Blue2		
		C4370-Yel Green		
	C4070-Green			
	C4550-Turquoise			
	C4560-Aqua			
	C4570-Blue Green			
	Manual Color Mixer	Red	<000–255>	Combines red, green, blue, and amber to make a custom color (0-100%)
		Green		
Blue				
Amber				
Dimmer Mode	Off		Linear dimmer	
	Dimmer 1–3		Dimming curves Dimmer 1 (fast) to Dimmer 3 (slow)	
Back Light	On		Display backlight always on	
	10S		Turns off display backlight after 10 seconds of inactivity	
	20S		Turns off display backlight after 20 seconds of inactivity	
	30S		Turns off display backlight after 30 seconds of inactivity	
Information	Fixture Hours	<_ _ _ _ H>	Shows total hours the product has been powered on	
	Version	<V _ _>	Shows current firmware version	
	UID	<_ _ _ _ _ _ _ _>	Shows product UID	
DMX Address	<1–510>		Selects DMX address (highest channel restricted to personality chosen)	

Operation



Main Level	Programming Levels		Description	
DMX Channel	4Ch		4-channel: RGBA control	
	6Ch		6-channel: Dimmer, RGBA control, Strobe	
	10Ch		10-channel: Dimmer, RGBA control, Strobe, Color Macros, Auto Programs, Auto Speed, Dimmer Speed Mode	
	HSV		3-channel: Hue, Saturation, Value	
	HSI		3-channel: Hue, Saturation, Intensity	
Master/Slave	Master		Master mode (Standalone)	
	Slave		Slave mode (DMX)	
White Balance	Off		Disables white balance settings	
	Manual	Red	<125–255>	Sets red, green, blue, and amber LED maximum values.
		Green		
		Blue		
		Amber		
LED Frequency	600Hz		PWM frequency	
	1200Hz			
	2000Hz			
	4000Hz			
	6000Hz			
	25KHz			
Wireless Setting	W-DMX On/Off	On	Enables/disables wireless DMX	
		Off		
	Operating Mode	Receive	Receive WDMX	
		Transmit	Transmit WDMX	
Link (Only in Transmit mode)	Link	Links or unlinks to a WDMX receiver		
	Unlink			
Receive Reset (Only in Receive mode)	No	Resets the internal receiver		
	Yes			
IR Setting	On		Enables/disables IR receiver	
	Off			
Key Lock	On		Locks display (password is <UP>, <DOWN>, <UP>, <DOWN>, <ENTER>)	
	Off			
Reset Factory	No		Resets the product to factory default settings	
	Yes			

Configuration (DMX)

Use control configurations to operate the product with a DMX controller. For information on how to configure wireless DMX, see [Wireless Operation](#).

Control Personalities

This setting allows you to choose a particular control personality.

1. Go to the **DMX Channel** main level.
2. Select the desired personality (see table below).

Personality	Channels
4Ch	4
6Ch	6
10Ch	10
HSV	3
HSI	3



- See the [Starting Address](#) section for the highest starting address you can select for each personality.
- Make sure that the starting addresses on the various products do not overlap due to the new personality setting.

Starting Address

Each product will respond to a unique starting address from the DMX controller. All products with the same starting address will respond in unison.

1. Go to the **DMX Address** main level.
2. Select the starting address (**001–510**).

The highest recommended starting address for each DMX mode is as follows:

Personality	Address
4Ch	509
6Ch	507
10Ch	503
HSV	510
HSI	510

DMX Values

10Ch

Channel	Function	Value	Percent/Setting
1	Dimmer	000 ⇔ 255	0–100%
2	Red	000 ⇔ 255	0–100%
3	Green	000 ⇔ 255	0–100%
4	Blue	000 ⇔ 255	0–100%
5	Amber	000 ⇔ 255	0–100%
6	Strobe	000 ⇔ 010	No function
		011 ⇔ 255	Strobe, slow to fast
7	Color Macro	000 ⇔ 010	No function
		011 ⇔ 030	R: 100% G: 0–100% B: 0% A: 0%
		031 ⇔ 050	R: 100–0% G: 100% B: 0% A: 0%
		051 ⇔ 070	R: 0% G: 100% B: 0–100% A: 0%
		071 ⇔ 090	R: 0% G: 100–0% B: 100% A: 0%
		091 ⇔ 110	R: 0–100% G: 0% B: 100% A: 0%
		111 ⇔ 130	R: 100% G: 0% B: 100–0% A: 0%
		131 ⇔ 150	R: 100% G: 0–100% B: 0–100% A: 0%
		151 ⇔ 170	R: 100%–0% G: 100–0% B: 100% A: 0%
		171 ⇔ 200	R: 100% G: 100% B: 100% A: 100%
		201 ⇔ 205	Color temperature 1 (warmest)
		206 ⇔ 210	Color temperature 2
		211 ⇔ 215	Color temperature 3
		216 ⇔ 220	Color temperature 4
		221 ⇔ 225	Color temperature 5
		226 ⇔ 230	Color temperature 6
		231 ⇔ 235	Color temperature 7
236 ⇔ 240	Color temperature 8		
241 ⇔ 245	Color temperature 9		
246 ⇔ 250	Color temperature 10		
251 ⇔ 255	Color temperature 11 (coolest)		
8	Auto Program	000 ⇔ 051	No function
		052 ⇔ 101	Auto program 1
		102 ⇔ 152	Auto program 2
		153 ⇔ 203	Auto program 3
		204 ⇔ 254	Auto program 4
255	Auto program 5 (Auto program 1–4)		
9	Auto Speed	000 ⇔ 255	Auto speed, slow to fast
10	Dimmer Speed Mode	000 ⇔ 051	Preset dimmer speed from display menu
		052 ⇔ 101	Dimmer speed mode off
		102 ⇔ 152	Dimmer speed mode 1 (fastest)
		153 ⇔ 203	Dimmer speed mode 2
		204 ⇔ 255	Dimmer speed mode 3 (slowest)

6Ch

Channel	Function	Value	Percent/Setting
1	Dimmer	000 ⇔ 255	0–100%
2	Red	000 ⇔ 255	0–100%
3	Green	000 ⇔ 255	0–100%
4	Blue	000 ⇔ 255	0–100%
5	Amber	000 ⇔ 255	0–100%
6	Strobe	000 ⇔ 010	No function
		011 ⇔ 255	Strobe, slow to fast

4Ch

Channel	Function	Value	Percent/Setting
1	Red	000 ⇔ 255	0–100%
2	Green	000 ⇔ 255	0–100%
3	Blue	000 ⇔ 255	0–100%
4	Amber	000 ⇔ 255	0–100%

HSV

Channel	Function	Value	Percent/Setting
1	Hue	000 ⇔ 255	0–100%
2	Saturation	000 ⇔ 255	0–100%
3	Value	000 ⇔ 255	0–100%

HSI

Channel	Function	Value	Percent/Setting
1	Hue	000 ⇔ 255	0–100%
2	Saturation	000 ⇔ 255	0–100%
3	Intensity	000 ⇔ 255	0–100%

Configuration (Standalone)

Use standalone configuration to operate the product without a DMX controller.

Auto Programs

Auto programs allow for dynamic blinder effects without a DMX controller.

1. Go to the **Auto Show** main level.
2. Select the desired auto (**Auto 1–5**).
3. Select the desired speed (**1–100**).



The auto programs cannot be edited.

Static Mode

The Static mode allows for permanent dimmer and strobe presets without a DMX controller.

1. Go to the **Static** main level.
2. Select **Fixed Color**, **Virtual Color Wheel**, or **Manual Color Mixer**.
3. For **Fixed Color**:
 - Select the desired fixed color (**R, G, B, A, GB, RB, RG, RGB, RA, GA, BA, RGA, RBA, GBA, or RGBA**).
- For **Virtual Color Wheel**:
 - a. Select the desired virtual gel color (Refer to the [Virtual Color Wheel Chart](#)).
 - b. Set the desired output value (**Dimmer <0–255>**).
- For **Manual Color Mixer**:
 - a. Select the desired color (**Red, Green, Blue, or Amber**).
 - b. Set the desired value for the selected color (**0–255**).
 - c. Repeat steps a-b until the static color is set as desired.

Dimmer Profiles

This setting determines how fast the output of the WELL Pad changes when you modify the output value.

This setting provides four different options to simulate the dimming curve of an incandescent lighting product.

1. Go to the **Dimmer Mode** main level.
2. Select a dimmer curve (**Off, Dimmer 1, Dimmer 2, or Dimmer 3**).



Off: The output is proportional (linear) to the dimmer channel value.

Dimmer 1-3: The output follows the dimmer value based on the corresponding dimmer curve, DIM1 being the fastest.

Operation

White Balance

This setting controls the maximum values for each LED color.

1. Go to the **White Balance** main level.
2. Select **Off** (uses factory default white setting) or **Manual** (sets a custom white balance).
 - a. For **Manual**, select a color to edit (**Red**, **Green**, **Blue**, or **Amber**).
 - b. Set the maximum value of the selected color (**125–255**).
 - c. Repeat steps a-b until the white balance is set as desired.

LED Frequency

This option changes the Pulse Width Modulation (PWM) frequency of the LEDs on the WELL Pad.

1. Go to the **LED Frequency** main level.
2. Select PWM Frequency (**600Hz**, **1200Hz**, **2000Hz**, **4000Hz**, **6000Hz**, or **25KHz**).

Back Light

This setting allows for selection of the amount of time the backlight on the WELL Pad's display stays on after the last button is pressed on the control panel.

1. Go to the **Back Light** main level.
2. Select **On** (remains on), **10S** (10 seconds), **20S** (20 seconds), or **30S** (seconds).

System Information

This option displays the total number of hours the product has run, the installed software version, and the product's UID.

1. Go to the **Information** main level.
2. Select **Fixture Hours**, or **Version**.

Factory Reset

This option restores the WELL Pad to factory default settings.

1. Go to the **Reset Factory** main level.
2. Select **No** or **Yes**.

Master/Slave

The Master/Slave mode allows a group of WELL Pad products (the slaves) to simultaneously duplicate the output of another WELL Pad (the master) without a DMX controller. To set each of the slaves:

1. Go to the **Master/Slave** main level.
2. Select **Slave**.
3. Go to **Wireless Setting > W-DMX On/Off**.
4. Select **On**.
5. Go to **Wireless Setting > Operating Mode**.
6. Select **Receive**.
7. Go to **Wireless Setting > Receive Reset**.
8. Select **Yes**.

To set the master:

1. Go to the **Master/Slave** main level.
2. Select **Master**.
3. Go to **Wireless Setting > W-DMX On/Off**.
4. Select **On**.
5. Go to **Wireless Setting > Operating Mode**.
6. Select **Transmit**.
7. Go to **Wireless Setting > Link**.
8. Select **Link** to link to the slave products.
9. Select a standalone setting, or control with the IR remote.



- The master is the one that runs a program whether in Auto, Static, or IR mode.
- Do not connect a DMX controller to the products configured for Master/Slave operation. The DMX controller may interfere with signals from the master.
- Do not connect a WDMX transmitter to the products configured for Master/Slave operation. The WDMX transmitter may interfere with signals from the master.

Virtual Color Wheel (VCW)

The WELL Pad includes a feature called the Virtual Color Wheel (VCW). This feature is available as a stand-alone control mode for manual use and also as a control channel in select DMX personalities. Over 30 pre-mixed colors, custom blended by our engineers, are available to call up for easier programming. The DMX values used to mix these colors are provided below. Adjust the overall intensity of the product in order to more closely replicate familiar colors. A chart is available at www.chauvetprofessional.com to compare these pre-mixed colors with popular gel colors. This chart is for comparison purposes only and is not a representation that these pre-mixed colors match any of the gel colors listed.

Virtual Color Wheel Chart

DMX Channel Value	Display Readout	Red Value	Green Value	Blue Value	Amber Value
000 ⇄ 005	--	000	000	000	000
006 ⇄ 013	C3050 - Md Yellow	230	255	000	253
014 ⇄ 021	C3040 - Lt Yellow	255	244	036	255
022 ⇄ 028	C3240 - Amb Yellow	200	200	000	255
029 ⇄ 035	C2340 - VLt Amber	255	204	072	255
036 ⇄ 043	C2040 - Lt Amber	252	184	060	255
044 ⇄ 051	C2050 - Md Amber	226	150	012	255
052 ⇄ 059	C2060 - Dk Amber	255	136	016	255
060 ⇄ 067	C1050 - Lt Red	225	000	027	097
068 ⇄ 075	C1080 - Md Red	255	000	016	002
076 ⇄ 083	C1020 - NC Pink	255	245	118	255
084 ⇄ 091	C1030 - Md Pink	255	205	115	255
092 ⇄ 099	C1630 - Dk Pink	255	228	166	255
100 ⇄ 107	C1250 - Md Red Amber	253	035	042	212
108 ⇄ 115	C1060 - Dk Red Amber	193	000	035	100
116 ⇄ 121	C1650 - Magenta	255	116	116	255
122 ⇄ 130	C6170 - Dk Magenta	255	000	122	048
131 ⇄ 138	C6020 - Lt Lavender	255	255	116	137
139 ⇄ 146	C5030 - Lt Blue	000	255	167	230
147 ⇄ 154	C5020 - VLt Blue	086	255	167	255
155 ⇄ 162	C5430 - Lt Blue 2	000	255	159	208
163 ⇄ 170	C5070 - Blue	000	244	255	063
171 ⇄ 178	C5050 - Md Blue	000	255	217	171
179 ⇄ 186	C5060 - Dk Blue	000	242	255	134
187 ⇄ 194	C5690 - Indigo	000	021	255	120
195 ⇄ 202	C5080 - VDk Blue	000	182	255	007
203 ⇄ 210	C5081 - VDk Blue2	000	174	255	051
211 ⇄ 218	C4370 - Yel Green	000	255	037	107
219 ⇄ 226	C4070 - Green	000	255	070	177
227 ⇄ 234	C4550 - Turquoise	000	255	103	234
235 ⇄ 242	C4560 - Aqua	000	255	112	223
243 ⇄ 250	C4570 - Blue Green	000	255	101	030
251 ⇄ 255	--	000	000	000	000



Note: The colors above are simulated renditions of the color output produced as compared to other similar incandescent products. Chauvet makes no guarantee of the color output accuracy.

Operation

IR Infrared Remote Control

Infrared (IR) mode allows the product to be controlled with an infrared remote controller. The IR remote can remotely set the product to various modes; adjust the color, speed and sensitivity; and set the strobe.

The WELL Pad is compatible with the included IR remote from Chauvet. To enable use with the IR remote, follow the instructions below:

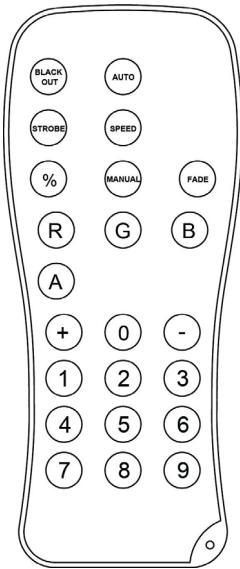
1. Go to the **IR Setting** main level.
2. Select **On** to activate the IR Receiver.



It may be necessary to turn the product off and on again when switching from W-DMX to IRC and vice-versa.

IR Remote Operation

Be sure the IR remote is pointing directly at the product and there is nothing in between the remote and the product.



Automatic Mode

Automatic mode will enable the automatic programs on the product.

To turn on Automatic mode:

1. Press **<AUTO>** or **<FADE>** on the IR remote.
2. Press **<+>** or **<->** to choose between the 5 auto programs.

To adjust the speed of the automatic program:

1. Press **<SPEED>** on the IR remote.
2. Press **<+>** or **<->** to increase or decrease the speed.

Manual Color Control

To choose a specific color with the IR remote, press any number between **<0>** and **<9>**. To manually control the RGBA percentage:

1. Press **<MANUAL>** on the IR remote.
2. Press **<R>**, **<G>**, ****, or **<A>** (red, green, blue, or amber) to choose a color.
3. Press **<+>** or **<->** to increase or decrease the value of the selected color.

Miscellaneous Operation

To adjust the strobe rate of the program:

1. Press **<STROBE>** on the IR remote.
2. Press **<+>** or **<->** to increase or decrease the strobe rate.
3. Press **<STROBE>** again to turn off the strobe.

To black out the lights:

- Press **<BLACKOUT>** on the IR remote. This will turn off all the lights until the button is pressed again.

To adjust the output level:

1. Press **<%>** on the IR remote.
2. Press **<+>** or **<->** to increase or decrease the output level.

Note: The IR remote will not respond to any inputs when the Black Out mode is activated. If the remote does not respond when a button is pressed, try pressing <BLACK OUT>. You may have inadvertently activated the Black Out mode.

5. Technical Information

Product Maintenance

To maintain optimum performance and minimize wear, clean this product frequently. Usage and environment are contributing factors in determining the cleaning frequency.

Clean this product at least twice a month. Dust build-up reduces light output performance and can cause overheating. This can lead to reduced light source life and increased mechanical wear.

To clean the product:

1. Unplug the product from power and switch off.
2. Wait until the product is at room temperature.
3. Use a vacuum (or dry compressed air) and a soft brush to remove dust collected on the external vents.
4. Clean all transparent surfaces with a mild soap solution, ammonia-free glass cleaner, or isopropyl alcohol.
5. Apply the solution directly to a soft, lint free cotton cloth or a lens cleaning tissue.
6. Softly drag any dirt or grime to the outside of the transparent surface.
7. Gently polish the transparent surfaces until they are free of haze and lint.



Always dry the transparent surfaces carefully after cleaning them.

Technical Specifications

6. Technical Specifications

Dimensions and Weight

	Length	Width	Height	Weight
WELL Pad	15.98 in (406 mm)	8.38 in (213 mm)	3.99 in (101.5 mm)	21.6 lb (9.8 kg)
Charging Case	26.29 in (668 mm)	22.83 in (580 mm)	19 in (482.6 mm)	67.8 lb (30.8 kg)

Note: Dimensions in inches are rounded.

Power

Power Supply Type	Range	Voltage Selection
Switching (internal)	100 to 240 VAC, 50/60 Hz	Auto-ranging

Parameter	120 V, 60 Hz	208 V, 60 Hz	230 V, 50 Hz
Consumption (single)	120 W	135 W	137 W
Operating Current (single)	0.996 A	0.654 A	0.594 A
Consumption (case)	480 W	540 W	548 W
Operating Current (case)	3.984 A	2.616 A	2.376 A

Power I/O	U.S./Worldwide	UK/Europe
Power input connector	Neutrik® powerCON® A	Neutrik® powerCON® A
Power output connector	Neutrik® powerCON® B	Neutrik® powerCON® B
Power Cord plug	Edison (U.S.)	Local Plug

Light Source

Type	Color	Quantity	Power	Current	Lifespan
LED	Red	24	1 to 3 W	500 mA	50,000 hours
	Green	24			
	Blue	24			
	Amber	24			

Photometrics

	Beam Angle	Field Angle	Illuminance @ 5 m
Without Filter	22°	38°	553 lux
With Filter	27°	51°	316 lux

Thermal

Maximum External Temperature	Cooling System
113 °F (45 °C)	Convection

DMX

I/O Connector	Channel Range
Wireless	3, 4, 6 or 10

Ordering

Product Name	Item Name	Item Code	UPC Number
WELL Pad	WELLPADX4	0301461	781462218089

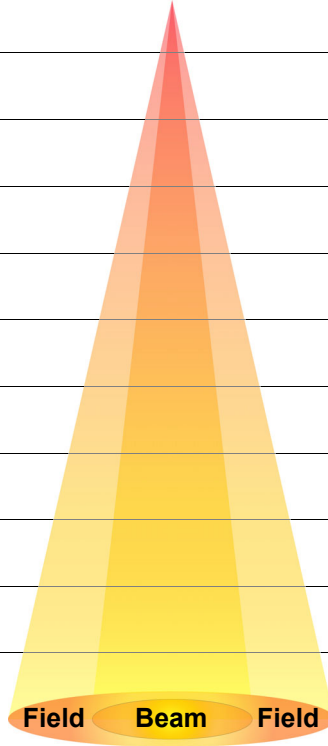


RoHS

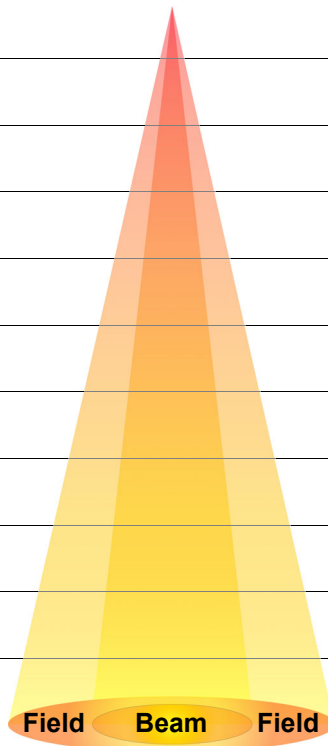


Photometrics Charts

Distance	W/o Filter (38°)		WELL Pad (Imperial)		W/ Filter (51°)	
	Beam Diameter	Field Diameter	Footcandle	Footcandle	Beam Diameter	Field Diameter
15 ft	5.83 ft	10.33 ft	61	35	7.20 ft	14.31 ft
20 ft	7.78 ft	13.77 ft	35	20	9.60 ft	19.08 ft
30 ft	11.66 ft	20.66 ft	15	9	14.40 ft	28.62 ft
40 ft	15.55 ft	27.55 ft	9	5	19.21 ft	38.16 ft
50 ft	19.44 ft	34.43 ft	6	3	24.01 ft	47.70 ft
75 ft	29.16 ft	51.65 ft	2	1	36.01 ft	71.55 ft
100 ft	38.88 ft	68.87 ft	1	1	48.02 ft	95.40 ft
125 ft	48.60 ft	86.08 ft	1	1	60.02 ft	119.24 ft
150 ft	58.31 ft	103.30 ft	1	0	72.02 ft	143.09 ft



Distance	W/o Filter (38°)		WELL Pad (Metric)		W/ Filter (51°)	
	Beam Diameter	Field Diameter	Lux	Lux	Beam Diameter	Field Diameter
1 m	0.39 m	0.69 m	13,825	7,900	0.48 m	0.95 m
2 m	0.78 m	1.38 m	3,456	1,975	0.96 m	1.91 m
5 m	1.94 m	3.44 m	553	316	2.40 m	4.77 m
8 m	3.11 m	5.51 m	216	123	3.84 m	7.63 m
10 m	3.89 m	6.89 m	138	79	4.80 m	9.54 m
15 m	5.83 m	10.33 m	61	35	7.20 m	14.31 m
20 m	7.78 m	13.77 m	35	20	9.60 m	19.08 m
25 m	9.72 m	17.22 m	22	13	12.00 m	23.85 m
30 m	11.66 m	20.66 m	15	9	14.40 m	28.62 m



Returns

Returns

Send the product prepaid, in the original box, and with the original packing and accessories. Chauvet will not issue call tags.

Call Chauvet and request a Return Merchandise Authorization (RMA) number before shipping the product. Be prepared to provide the model number, serial number, and a brief description of the cause(s) for the return.

To submit a service request online, go to www.chauvetprofessional.com/service-request.

Clearly label the package with an RMA number. Chauvet will refuse any product returned without an RMA number.



Write the RMA number on a properly affixed label. DO NOT write the RMA number directly on the box.

Once you have the RMA number, provide the following information on a piece of paper and place it inside the box:

- Your name
- Your address
- Your phone number
- RMA number
- A brief description of the problem

Be sure to pack the product properly. Any shipping damage resulting from inadequate packaging will be your responsibility. FedEx packing or double-boxing are recommended.



Chauvet reserves the right to use its own discretion to repair or replace returned product(s).

Contact Us

General Information	Technical Support
Chauvet World Headquarters	
Address: 5200 NW 108th Ave. Sunrise, FL 33351 Voice: (954) 577-4455 Fax: (954) 929-5560 Toll Free: (800) 762-1084	Voice: (844) 393-7575 Fax: (954) 756-8015 Email: chauvetcs@chauvetlighting.com Website: www.chauvetprofessional.com
Chauvet Europe Ltd	
Address: Unit 1C Brookhill Road Industrial Estate Pinxton, Nottingham, UK NG16 6NT Voice: +44 (0) 1773 511115 Fax: +44 (0) 1773 511110	Email: UKtech@chauvetlighting.eu Website: www.chauvetprofessional.eu
Chauvet Europe BVBA	
Address: Stokstraat 18 9770 Kruishoutem Belgium Voice: +32 9 388 93 97	Email: BNLtech@chauvetlighting.eu Website: www.chauvetprofessional.eu
Chauvet France	
Address: 3, Rue Ampère 91380 Chilly-Mazarin France Voice: +33 1 78 85 33 59	Email: FRtech@chauvetlighting.fr Website: www.chauvetprofessional.eu
Chauvet Germany	
Address: Bruno-Bürgerl-Str. 11 28759 Bremen Germany Voice: +49 421 62 60 20	Email: DEtech@chauvetlighting.de Website: www.chauvetprofessional.eu
Chauvet Mexico	
Address: Av. de las Partidas 34 - 3B (Entrance by Calle 2) Zona Industrial Lerma Lerma, Edo. de México, CP 52000 Voice: +52 (728) 690-2010	Email: servicio@chauvet.com.mx Website: www.chauvetprofessional.mx

Visit the applicable website above to verify our contact information and instructions to request support. Outside the U.S., U.K., Ireland, France, Germany, Benelux, or Mexico, contact the dealer of record.