

USER MANUAL

ROGUE



MODEL ID: ROGUER3XWASH



Edition Notes

The Rogue R3X Wash User Manual includes a description, safety precautions, installation, programming, operation and maintenance instructions for the Rogue R3X Wash as of the release date of this edition.

Trademarks

CHAUVET, the Chauvet logo and Rogue R3X Wash are registered trademarks or trademarks of Chauvet & Sons, LLC (d/b/a Chauvet and Chauvet Lighting) in the United States and other countries. Other company and product names and logos referred to herein may be trademarks of their respective companies.

Copyright Notice

The works of authorship contained in this manual, including, but not limited to, all design, text and images are owned by Chauvet.

© **Copyright 2021 Chauvet & Sons, LLC. All rights reserved.**

Electronically published by Chauvet in the United States of America.

Manual Use

Chauvet authorizes its customers to download and print this manual for professional information purposes only. Chauvet expressly prohibits the usage, copy, storage, distribution, modification, or printing of this manual or its content for any other purpose without written consent from Chauvet.

Document Printing

For best results, print this document in color, on letter size paper (8.5 x 11 in), double-sided. If using A4 paper (210 x 297 mm), configure the printer to scale the content accordingly.

Intended Audience

Any person installing, operating, and/or maintaining this product should completely read through the guide that shipped with the product, as well as this manual, before installing, operating, or maintaining this product.

Disclaimer

Chauvet believes that the information contained in this manual is accurate in all respects. However, Chauvet assumes no responsibility and specifically disclaims any and all liability to any party for any loss, damage or disruption caused by any errors or omissions in this document, whether such errors or omissions result from negligence, accident or any other cause. Chauvet reserves the right to revise the content of this document without any obligation to notify any person or company of such revision, however, Chauvet has no obligation to make, and does not commit to make, any such revisions. Download the latest version from www.chauvetprofessional.com.

Document Revision

This Rogue R3X Wash User Manual is the 2st edition of this document. Go to www.chauvetprofessional.com for the latest version.

TABLE OF CONTENTS

1. Before You Begin	1
What Is Included	1
Claims.....	1
Text Conventions.....	1
Symbols.....	1
FCC Compliance	1
Safety Notes	2
Personal Safety	2
Mounting and Rigging.....	2
Power and Wiring	2
Operation.....	2
Expected LED Lifespan	3
2. Introduction	4
Description.....	4
Features	4
Product Overview	4
Product Dimensions	5
3. Setup	6
AC Power	6
AC Plug.....	6
Power Linking	6
Fuse Replacement.....	6
Remote Device Management (RDM)	6
Mounting.....	7
Orientation	7
Rigging.....	7
Procedure	7
4. Operation	8
Control Panel Description.....	8
Control Options.....	8
Programming	8
Menu Map.....	8
Configuration (DMX).....	10
Control Personalities.....	10
Starting Address	10
Control Channel Assignments and Values	11
Color Chart	11
Control Channel Assignments and Values	11
DMX Values.....	12
107 CH.....	12
71 CH.....	20
62 CH.....	28
21 CH.....	34
Configuration (Settings).....	41
Pan Reverse	41
Tilt Reverse.....	41
Pan Angle	41

Table of Contents

Tilt Angle.....	41
Fan Mode.....	41
Display Backlight	41
Screen Reverse	41
Color Mixing Mode.....	41
Dimmer Curve.....	41
Dimmer Speed.....	41
Pulse-Width Modulation Options	42
Color Calibration.....	42
White Mode.....	42
Reset Function.....	42
Factory Reset	42
Test Mode.....	42
Auto Test	42
Manual Test.....	42
System Information.....	42
Offset Mode (Zero Adjust)	42
5. Maintenance.....	43
Product Maintenance.....	43
6. Technical Specifications	44
7. Returns.....	45
8. Contact Us	46

1. Before You Begin

What Is Included

- Rogue R3X Wash
- Neutrik® powerCON® Power Cord
- Omega Bracket with Mounting Hardware
- Quick Reference Guide

Claims

Carefully unpack the product immediately and check the container to make sure all the parts are in the package and are in good condition.




If the box or the contents (the product and included accessories) appear damaged from shipping, or show signs of mishandling, notify the carrier immediately, not Chauvet. Failure to report damage to the carrier immediately may invalidate your claim. In addition, keep the box and contents for inspection.

For other issues, such as missing components or parts, damage not related to shipping, or concealed damage, file a claim with Chauvet within 7 days of delivery.

Text Conventions

Convention	Meaning
1–512	A range of values
50/60	A set of values of which only one can be chosen
Settings	A menu option not to be modified
<ENTER>	A key to be pressed on the product's control panel

Symbols

Symbol	Meaning
	Critical installation, configuration, or operation information. Not following these instructions may make the product not work, cause damage to the product, or cause harm to the operator.
	Important installation or configuration information. The product may not function correctly if this information is not used.
	Useful information.



Any reference to data or power connections in this manual assumes the use of Seetronic IP rated cables.



The term “DMX” used throughout this manual refers to the USITT DMX512-A digital data transmission protocol.

FCC Compliance

This device complies with Part 15 Part B of the FCC Rules. Operation is subject to the following two conditions:

1. This device may not cause harmful interference, and
2. This device must accept any interference received, including interference that may cause undesired operation.

Any changes or modifications not expressly approved by the party responsible for compliance could void the user's authority to operate the equipment.

Before You Begin

Safety Notes

Read all the following safety notes before working with this product. These notes contain important information about the installation, usage, and maintenance of this product.



This product contains no user-serviceable parts. Any reference to servicing in this User Manual will only apply to properly trained, certified technicians. Do not open the housing or attempt any repairs.



All applicable local codes and regulations apply to proper installation of this product.

Personal Safety

- Avoid direct eye exposure to the light source while the product is on.
- Always disconnect the product from the power source before cleaning or replacing the fuse.
- Always connect the product to a grounded circuit to avoid the risk of electrocution.
- Do not touch the product's housing when operating because it may be very hot.
- The maximum ambient temperature is 113 °F (45 °C). Do not operate this product at higher temperatures.
- The luminaire should be positioned so that prolonged staring into the luminaire at a distance closer than 25.3 ft (7.7 m) is not expected.

Mounting and Rigging

- This product is not intended for permanent installation.
- This product is for indoor use only! To prevent risk of fire or shock, do not expose this product to rain or moisture. (IP20)
- CAUTION: When transferring product from extreme temperature environments, (e.g. cold truck to warm humid ballroom) condensation may form on the internal electronics of the product. To avoid causing a failure, allow product to fully acclimate to the surrounding environment before connecting it to power.
- Mount this product in a location with adequate ventilation, at least 20 in (50 cm) from adjacent surfaces.
- Make sure there are no flammable materials close to this product while it is operating.
- When hanging this product, always secure to a fastening device using a safety cable.
- Never carry the product by the power cord.

Power and Wiring

- Make sure the power cord is not crimped or damaged.
- Always make sure you are connecting this product to the proper voltage in accordance with the specifications in this manual or on the product's specification label.
- To eliminate unnecessary wear and improve its lifespan, during periods of non-use completely disconnect the product from power via breaker or by unplugging it.
- Never connect this product to a dimmer pack or rheostat.
- Make sure to replace the fuse with another of the same type and rating.
- Never disconnect this product by pulling or tugging on the power cable.

Operation

- If the external flexible cable or cord of this luminaire is damaged, it shall be replaced with a special cable or cord exclusively available from the manufacturer or its service agent.
- The light source contained in this luminaire shall only be replaced by the manufacturer, its service agent, or a similarly qualified person.
- The luminaire is intended for professional use only.
- Do not operate this product if there is damage on the housing, lenses, or cables. Have the damaged parts replaced by an authorized technician at once.
- Do not cover the ventilation slots when operating to avoid internal overheating.
- The maximum ambient temperature is 113 °F (45 °C). Do not operate the product at higher temperatures.
- The minimum startup temperature is -4°F (-20°C). Do not start the product at lower temperatures.
- The minimum ambient temperature is -22°F (-30°C). Do not operate the product at lower temperatures.
- In the event of a serious operation problem, stop using this product immediately!



If your Chauvet product requires service, contact Chauvet Technical Support.

Expected LED Lifespan

Over time, use and heat will gradually reduce LED brightness. Clustered LEDs produce more heat than single LEDs, contributing to shorter lifespans if always used at full intensity. The average LED lifespan is 40,000 to 50,000 hours. To extend LED lifespan, maintain proper ventilation around the product, and limit the overall intensity.

2. Introduction

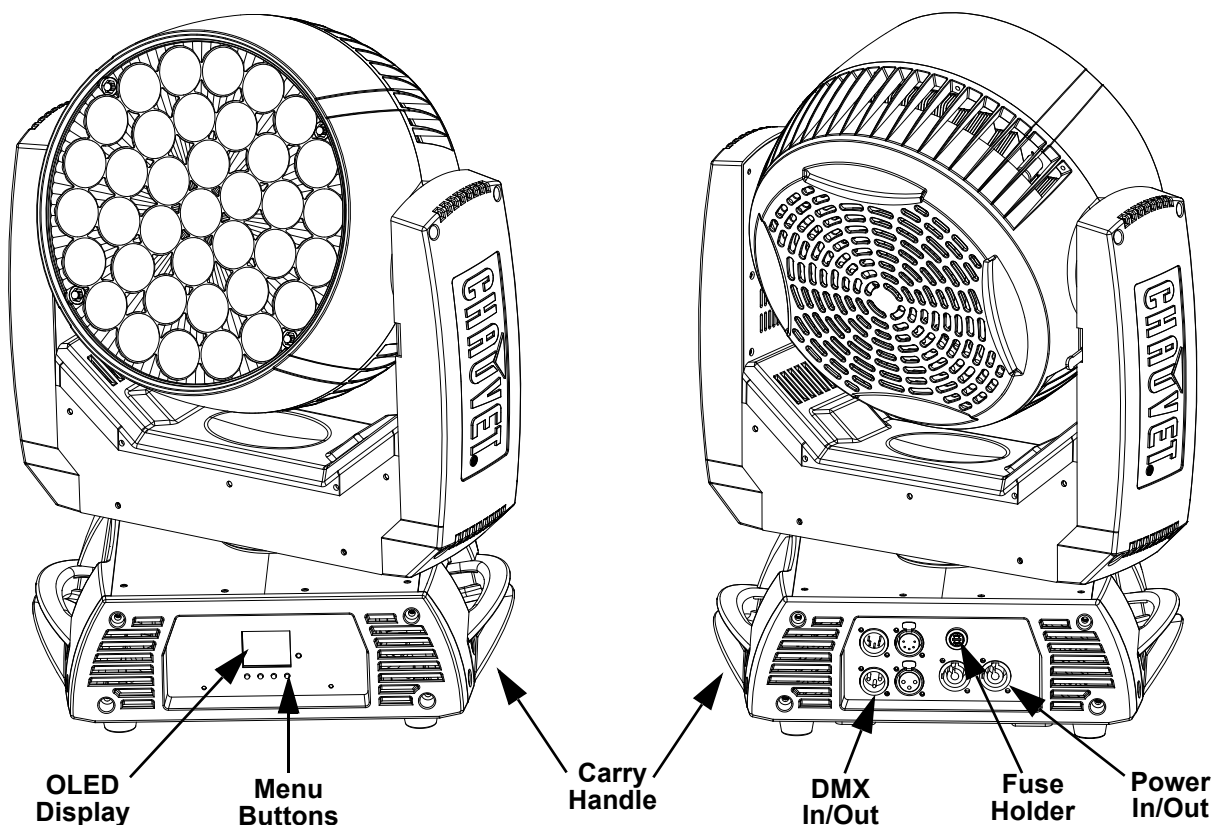
Description

The Rogue R3X Wash features 37 RGBW 25 W quad-LEDs, with a unique “bubble” lens design for high-quality color rendering and visual effects. The Rogue R3X Wash also features a 12° to 49° zoom angle, fast and smooth pan and tilt movements, simple and complex DMX channel profiles, plus 3-pin and 5-pin DMX connectors.

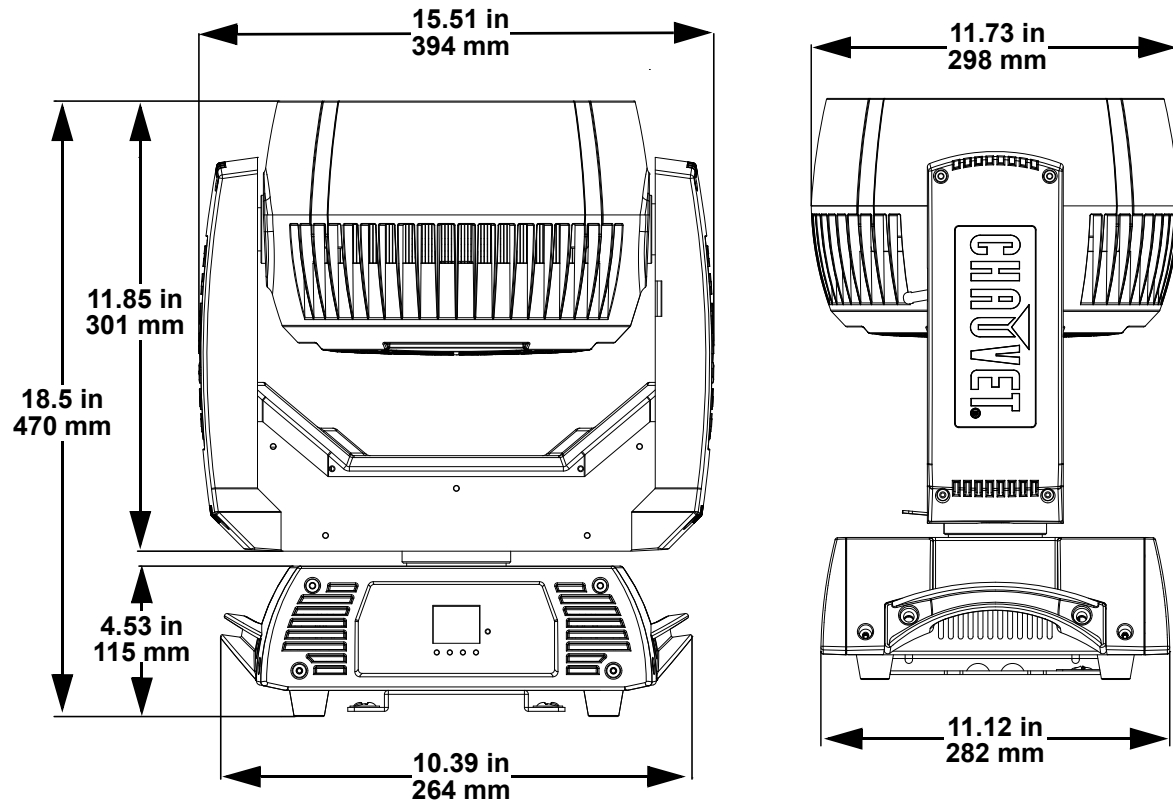
Features

- Fully featured RGBW LED yoke wash fixture with zoom
- 16-bit dimming of master dimmer as well as individual colors for smooth control of fades
- 37 RGBW LEDs, 25 W each
- 3- and 5-pin DMX input/output connections
- Unique lens design for excellent color blending
- Fast, smooth pan and tilt movement
- RDM enabled for remote addressing and trouble shooting
- Selectable LED maximum output to match legacy Rogue R3 Washes
- Selectable PWM settings for camera operation
- 6 distinct dimming modes for advanced control
- Omega mounting bracket, fits all Rogue and Maverick fixtures
- Easy to read OLED display with simple, effective menu options
- Simple and complex DMX channel profiles for programming versatility

Product Overview



Product Dimensions



3. Setup

AC Power

The Rogue R3X Wash has an auto-ranging power supply and it can work with an input voltage range of 100 to 240 VAC, 50/60 Hz.

To determine the product's power requirements (circuit breaker, power outlet, and wiring), use the current value listed on the label affixed to the product's back panel, or refer to the product's specifications chart. The listed current rating indicates the product's average current draw under normal conditions.



- **Always connect the product to a protected circuit (a circuit breaker or fuse). Make sure the product has an appropriate electrical ground to avoid the risk of electrocution or fire.**
- **To eliminate unnecessary wear and improve its lifespan, during periods of non-use completely disconnect the product from power via breaker or by unplugging it.**



Never connect the product to a rheostat (variable resistor) or dimmer circuit, even if the rheostat or dimmer channel serves only as a 0 to 100% switch.

AC Plug

The Rogue R3X Wash comes with a power input cord terminated with a Seetronic Powerkon A connector on one end and an Edison plug on the other end (U.S. market). If the power input cord that came with your product has no plug, or if you need to change the plug, use the table below to wire the new plug.

Connection	Wire (U.S.)	Wire (Europe)	Screw Color
AC Live	Black	Brown	Yellow or Brass
AC Neutral	White	Blue	Silver
AC Ground	Green/Yellow	Green/Yellow	Green

Power Linking

You can link up to 2 Rogue R3X Wash products at 100/120 V or 4 products at 208/230/240 V. Never exceed this number.

This product comes with a power input cord. Power linking cables are available from Chauvet for purchase.

Fuse Replacement

1. Disconnect this product from the power outlet.
2. Using a flat-head screwdriver, unscrew the fuse holder cap from the housing.
3. Remove the blown fuse and replace with another fuse of the same type and rating (F 20 A, 250 V).
4. Screw the fuse holder cap back in place and reconnect power.

Remote Device Management (RDM)

Remote Device Management, or RDM, is a standard for allowing DMX-enabled devices to communicate bi-directionally along existing DMX cabling. Check the DMX controller's User Manual or with the manufacturer as not all DMX controllers have this capability. The Rogue R3X Wash supports RDM protocol that allows feedback to make changes to menu map options.

Mounting

Before mounting the product, read and follow the safety recommendations indicated in the [Safety Notes](#). For our CHAUVET Professional line of mounting clamps, go to <http://trusst.com/products/>.

Orientation

Always mount this product in a safe position, making sure there is adequate room for ventilation, configuration, and maintenance.

Rigging

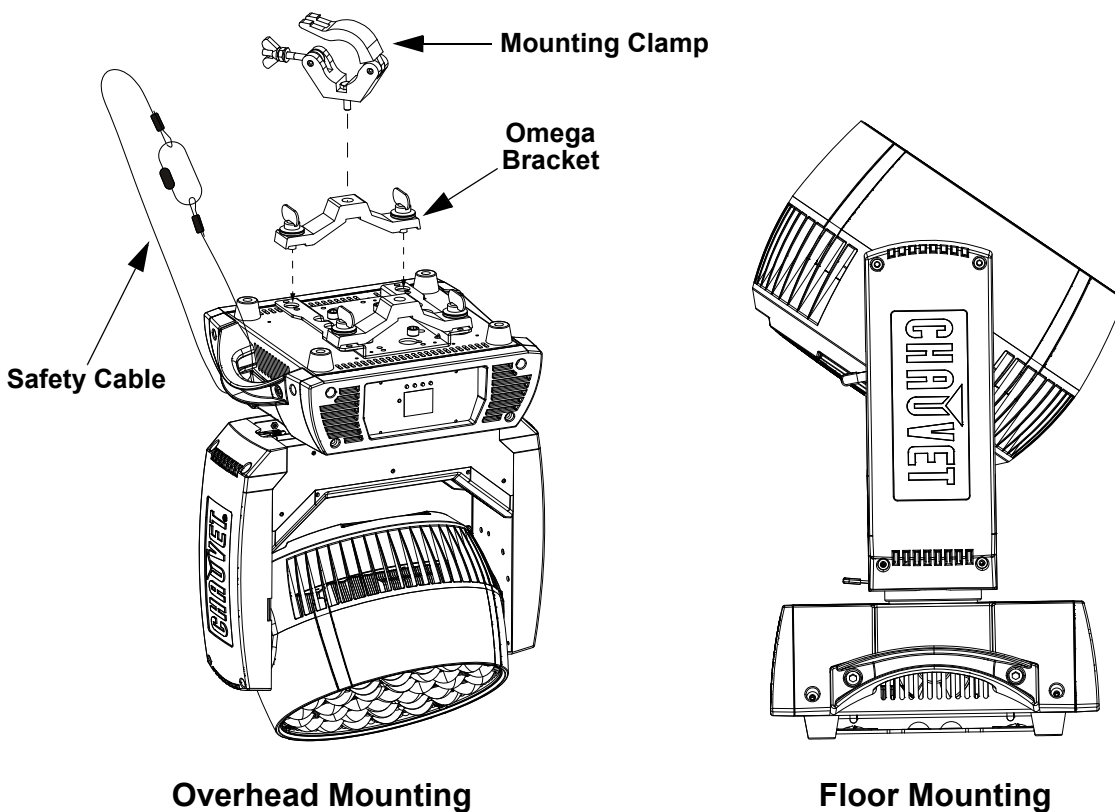
Chauvet recommends using the following general guidelines when mounting this product.

- Before deciding on a location for the product, make sure there is easy access to the product for maintenance and programming purposes.
- Make sure that the structure onto which you are mounting the product can support the product's weight. See the [Technical Specifications](#) for weight information.
- When mounting the product overhead, always use a safety cable. Mount the product securely to a rigging point, whether an elevated platform or a truss.
- When rigging the product onto a truss, use a mounting clamp of appropriate weight capacity.

Procedure

The Rogue R3X Wash comes with a bracket to which you can attach a mounting clamp directly. Mounting clamps are sold separately. Make sure the clamps are capable of supporting the weight of this product. Use at least two mounting points per product. For the CHAUVET Professional line of mounting clamps, go to <http://www.trusst.com/products>.

Mounting Diagram



4. Operation

Control Panel Description

Button	Function
<MENU>	Exits from the current menu or function
<UP>	Enables the currently displayed menu or sets the currently selected value in to the current function
<DOWN>	Navigates upward through the menu list or increases the numeric value when in a function
<ENTER>	Navigates downward through the menu list or decreases the numeric value when in a function

Control Options

Set the Rogue R3X Wash starting address in the **001–512** DMX range.

Programming

Refer to the Menu Map to understand the menu options. The menu map shows the main level and a variable number of programming levels for each option.

- To go to the desired main level, press **<MENU>** repeatedly until the option shows on the display. Press **<ENTER>** to select. This will take you to the first programming level for that option.
- To select an option or value within the current programming level, press **<UP>** or **<DOWN>** until the option shows on the display. Press **<ENTER>** to select. In this case, if there is another programming level, you will see that first option, or you will see the selected value.
- Press **<MENU>** repeatedly to exit to the previous main level.

Menu Map

Main Level	Programming Levels		Description	
Address	001–512		Sets the starting address	
Run Mode	DMX	21 CH	Selects the DMX personality	
		62 CH		
		71 CH		
		107 CH		
	Auto Test		Auto test all functions	
	Manual Test	Pan	000–255	Manually control and test all settings through the control panel
		Tilt		
		P/T Speed		
		Red		
		Green		
		Blue		
		White		
		CTC		
		Color		
		Pattern		
LED Macro				
LED Ma. Speed				
LED Ma. Fade				
Background				
Background Dim.				
Dimmer				
Shutter				
Zoom				

Main Level	Programming Levels			Description
Setup	Pan Reverse	OFF		Normal pan
		ON		Reversed pan
	Tilt Reverse	OFF		Normal tilt
		ON		Reversed tilt
	Zoom Reverse	OFF		Reverse zoom operation
		ON		Normal zoom operation
	Pan Angle	540		540° pan range
		360		360° pan range
		180		180° pan range
	Tilt Angle	230		230° tilt range
		180		180° tilt range
		90		90° tilt range
	XY Mode	Fast		Sets pan/tilt speed
		Slow		
	Fans	Auto		Fan speed according to product temperature
		ECO		Quiet mode
		Full		Fan speed set on high
	Display	OFF		Display turns off
		ON		Display stays on
	Screen Rev	OFF		Normal display
		ON		Inverted display
	C Mixing Mode	RGBW		Set the color mixing method
		CMY		
	Dimmer Curve	Linear		Set the dimmer curve
		Square		
		I Squa		
		SCurve		
	Dimmer Speed	Smooth		Smooth dimmer speed
		Fast		Fast dimmer speed
	PWM Option	600Hz		Sets the PWM frequency
1200Hz				
2000Hz				
4000Hz				
6000Hz				
15000Hz				
Color Calibration	On		Uses factory default white setting	
	Off		Uses maximum output values	
	Custom	RED	100–255	Sets red LED maximum value
		GREEN		Sets green LED maximum value
		BLUE		Sets blue LED maximum value
White Mode	On		Calibrates white to 7500K	
	Off		Uses maximum output values	
	Custom	RED	000–255	Sets red LED maximum value
		GREEN		Sets green LED maximum value
		BLUE		Sets blue LED maximum value
WHITE		Sets white LED maximum value		

Operation

Main Level	Programming Levels		Description	
Setup (cont.)	Reset Function	Pan/Tilt	NO	Reset individual functions or all functions from start-up
			YES	
		Zoom	NO	
			YES	
		All	NO	
			YES	
	Factory Reset		Yes	Reset to factory default settings
		No		
Sys Info	Ver		Shows firmware version	
	Running Mode		Shows current running mode	
	DMX Address		Shows current starting address	
	Temperature		Shows current product temperature in °C	
	Fixture Time		Shows number of hours product has been powered on	
	UID		Shows product UID	

Configuration (DMX)

Use control configurations to operate the product with a DMX controller.

Control Personalities

To set the control personality:

1. Go to the **Run Mode** main level.
2. Select the **DMX** option.
3. Select the desired personality, from **21 CH**, **62 CH**, **71 CH**, or **107 CH**.
 - See the [Starting Address](#) section for the highest starting address you can select for each personality.
 - Make sure that the starting addresses on the various products do not overlap due to the new personality setting.



Starting Address

Each product will respond to a unique starting address from the controller. All products with the same starting address will respond in unison. To set the starting address:

1. Go to the **Address** main level.
2. Select the starting address (**001–512**).

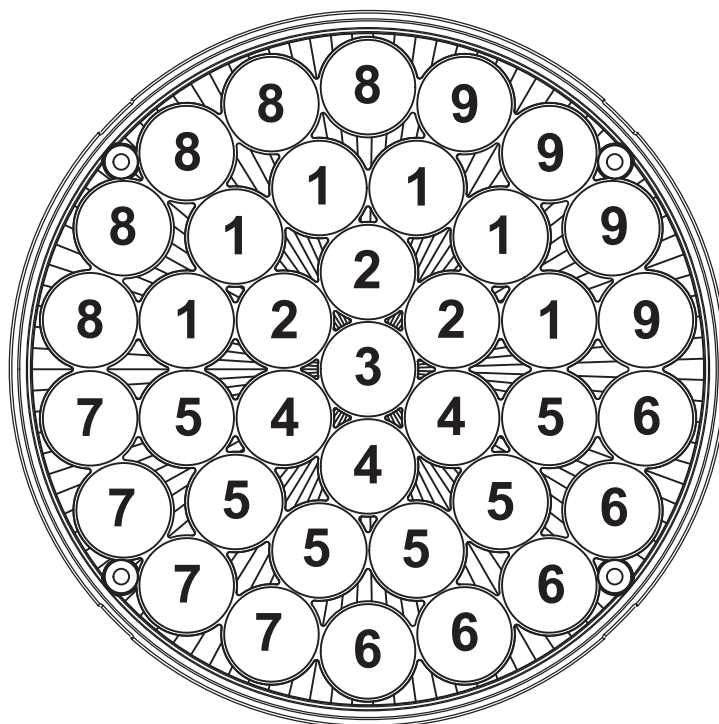
Control Channel Assignments and Values

Color Chart

DMX Value	Percent/Setting	Red Value	Green Value	Blue Value	White Value
000 ⇔ 000	No function	000	000	000	000
001 ⇔ 002	White 2700K	156	118	000	063
003 ⇔ 004	White 3200K	156	141	005	089
005 ⇔ 006	White 4200K	156	141	014	255
007 ⇔ 008	White 5600K	156	207	054	255
009 ⇔ 010	White 8000K	130	255	096	255
011	Blue	000	000	255	000
012 ⇔ 048	Cyan	000	+	255	000
049		000	255	255	000
050 ⇔ 086	Green	000	255	-	000
087		000	255	000	000
088 ⇔ 124	Yellow	+	255	000	000
125		255	255	000	000
126 ⇔ 162	Red	255	-	000	000
163		255	000	000	000
164 ⇔ 200	Magenta	255	000	+	000
201		255	000	255	000
202 ⇔ 238	Blue	-	000	255	000
239		000	000	255	000
240 ⇔ 247	Color fade, fast to slow	Various	Various	Various	Various
248 ⇔ 255	Color snap, fast to slow	Various	Various	Various	Various

Control Channel Assignments and Values

Rogue R3X Wash Zones for DMX Control



Operation

DMX Values

107 CH

Channel	Function	Value	Percent/Setting
1	Pan	000 ⇔ 255	0-100%
2	Fine Pan	000 ⇔ 255	Fine control (16-bit)
3	Tilt	000 ⇔ 255	0-100%
4	Fine Tilt	000 ⇔ 255	Fine control (16-bit)
5	Pan/Tilt Speed	000 ⇔ 255	0-100%
6	Dimmer	000 ⇔ 255	0-100%
7	Fine Dimmer	000 ⇔ 255	Fine control (16-bit)
8	Shutter	000 ⇔ 019 Off 020 ⇔ 024 On 025 ⇔ 064 Strobe 1 with decreasing speed 065 ⇔ 069 On 070 ⇔ 084 Strobe 2 (fast on, slow off) with decreasing speed 085 ⇔ 089 On 090 ⇔ 104 Strobe 3 (slow on, fast off) with decreasing speed 105 ⇔ 109 On 110 ⇔ 124 Strobe 4 (random strobe) with decreasing speed 125 ⇔ 129 On 130 ⇔ 144 Strobe 5 (random fast on, slow off) with decreasing speed 145 ⇔ 149 On 150 ⇔ 164 Strobe 6 (random slow on, fast off) with decreasing speed 165 ⇔ 169 On 170 ⇔ 184 Strobe 7 (pulse strobe) with decreasing speed 185 ⇔ 189 On 190 ⇔ 204 Strobe 8 (random pulse strobe) with decreasing speed 205 ⇔ 209 On 210 ⇔ 224 Strobe 9 (fade on or off) with decreasing speed 225 ⇔ 229 On 230 ⇔ 244 Strobe 10 (pulse strobe) with decreasing speed 245 ⇔ 255 On	
9	CTC	000 No function 001 ⇔ 255 2800 to 10,000K	
10	Color	000 No function 001 ⇔ 002 2700K R:156 G: 118 B: 0 W: 63 003 ⇔ 004 3200K R:156 G: 141 B: 5 W: 89 005 ⇔ 006 4200K R:156 G: 141 B: 14 W: 255 007 ⇔ 008 5600K R:156 G: 207 B: 54 W: 255 009 ⇔ 010 8000K R:130 G: 255 B: 96 W: 255 11 Blue R: 0 G: 0 B: 255 W: 0 012 ⇔ 048 Cyan R: 0 G: + B: 255 W: 0 049 Cyan R: 0 G: 255 B: 255 W: 0 050 ⇔ 086 Green R: 0 G: 255 B: - W: 0 087 Green R: 0 G: 255 B: 0 W: 0 088 ⇔ 124 Yellow R: + G: 255 B: 0 W: 0 125 Yellow R: 255 G: 255 B: 0 W: 0 126 ⇔ 162 Red R: 255 G: - B: 0 W: 0 163 Red R: 255 G: 0 B: 0 W: 0 164 ⇔ 200 Magenta R: 255 G: 0 B: + W: 0 201 Magenta R: 255 G: 0 B: 255 W: 0 202 ⇔ 238 Blue R: - G: 0 B: 255 W: 0 239 Blue R: 0 G: 0 B: 255 W: 0 240 ⇔ 247 Color change, fast to slow 248 ⇔ 255 Color jump, fast to slow	

Channel	Function	Value	Percent/Setting
11	Gobo	000 ⇄ 003	No function
		004 ⇄ 006	Gobo 1
		007 ⇄ 009	Gobo 2
		010 ⇄ 012	Gobo 3
		013 ⇄ 015	Gobo 4
		016 ⇄ 018	Gobo 5
		019 ⇄ 021	Gobo 6
		022 ⇄ 024	Gobo 7
		025 ⇄ 027	Gobo 8
		028 ⇄ 030	Gobo 9
		031 ⇄ 033	No Gobo
		034 ⇄ 036	Gobo 10
		037 ⇄ 039	Gobo 11
		040 ⇄ 042	Gobo 12
		043 ⇄ 045	Gobo 13
		046 ⇄ 048	Gobo 14
		049 ⇄ 051	Gobo 15
		052 ⇄ 054	Gobo 16
		055 ⇄ 057	Gobo 17
		058 ⇄ 060	Gobo 18
		061 ⇄ 063	Gobo 19
		064 ⇄ 066	Gobo 20
		067 ⇄ 069	Gobo 21
		070 ⇄ 072	Gobo 22
		073 ⇄ 075	Gobo 23
		076 ⇄ 078	Gobo 24
		079 ⇄ 081	Gobo 25
		082 ⇄ 084	Gobo 26
		085 ⇄ 087	Gobo 27
		088 ⇄ 090	Gobo 28
		091 ⇄ 093	Gobo 29
		094 ⇄ 096	Gobo 30
		097 ⇄ 099	Gobo 31
		100 ⇄ 102	Gobo 32
		103 ⇄ 105	Gobo 33
		106 ⇄ 108	Gobo 34
		109 ⇄ 111	Gobo 35
		112 ⇄ 114	Gobo 36
		115 ⇄ 117	Gobo 37
		118 ⇄ 120	Gobo 38
		121 ⇄ 123	Gobo 39
		124 ⇄ 126	Gobo 40
		127 ⇄ 129	Gobo 41
		130 ⇄ 132	Gobo 42
		133 ⇄ 135	Gobo 43
		136 ⇄ 138	Gobo 44
		139 ⇄ 141	Gobo 45
		142 ⇄ 144	Gobo 46
		145 ⇄ 147	Gobo 47
		148 ⇄ 150	Gobo 48
151 ⇄ 153	Gobo 49		
154 ⇄ 156	Gobo 50		

Channel	Function	Value	Percent/Setting
11 (cont.)	Gobo (cont.)	157 ⇄ 159	Gobo 51
		160 ⇄ 162	Gobo 52
		163 ⇄ 165	Gobo 53
		166 ⇄ 168	Gobo 54
		169 ⇄ 171	Gobo 55
		172 ⇄ 174	Gobo 56
		175 ⇄ 177	Gobo 57
		178 ⇄ 180	Gobo 58
		181 ⇄ 183	Gobo 59
		184 ⇄ 186	Gobo 60
		187 ⇄ 189	Gobo 61
		190 ⇄ 192	Gobo 62
		193 ⇄ 195	Gobo 63
		196 ⇄ 198	Gobo 64
		199 ⇄ 201	Gobo 65
		202 ⇄ 204	Gobo 66
		205 ⇄ 207	Gobo 67
		208 ⇄ 210	Gobo 68
		211 ⇄ 213	Gobo 69
		214 ⇄ 216	Gobo 70
		217 ⇄ 219	Gobo 71
		220 ⇄ 222	Gobo 72
		223 ⇄ 225	Gobo 73
		226 ⇄ 228	Gobo 74
		229 ⇄ 231	Gobo 75
		232 ⇄ 234	Gobo 76
		235 ⇄ 237	Gobo 77
238 ⇄ 240	Gobo 78		
241 ⇄ 243	Gobo 79		
244 ⇄ 246	Gobo 80		
247 ⇄ 249	Gobo 81		
250 ⇄ 252	Gobo 82		
253 ⇄ 255	Gobo 83		

Channel	Function	Value	Percent/Setting
12	LED Built-in	000 ⇄ 015	No function
		016 ⇄ 017	Built-in 1
		018 ⇄ 019	Built-in 2
		020 ⇄ 021	Built-in 3
		022 ⇄ 023	Built-in 4
		024 ⇄ 025	Built-in 5
		026 ⇄ 027	Built-in 6
		028 ⇄ 029	Built-in 7
		030 ⇄ 031	Built-in 8
		032 ⇄ 033	Built-in 9
		034 ⇄ 035	Built-in 10
		036 ⇄ 037	Built-in 11
		038 ⇄ 039	Built-in 12
		040 ⇄ 041	Built-in 13
		042 ⇄ 043	Built-in 14
		044 ⇄ 045	Built-in 15
		046 ⇄ 047	Built-in 16
		048 ⇄ 049	Built-in 17
		050 ⇄ 051	Built-in 18
		052 ⇄ 053	Built-in 19
		054 ⇄ 055	Built-in 20
		056 ⇄ 057	Built-in 21
		058 ⇄ 059	Built-in 22
		060 ⇄ 061	Built-in 23
		062 ⇄ 063	Built-in 24
		064 ⇄ 065	Built-in 25
		066 ⇄ 067	Built-in 26
		068 ⇄ 069	Built-in 27
		070 ⇄ 071	Built-in 28
		072 ⇄ 073	Built-in 29
		074 ⇄ 075	Built-in 30
		076 ⇄ 077	Built-in 31
		078 ⇄ 079	Built-in 32
		080 ⇄ 081	Built-in 33
		082 ⇄ 083	Built-in 34
		084 ⇄ 085	Built-in 35
		086 ⇄ 087	Built-in 36
		088 ⇄ 089	Built-in 37
		090 ⇄ 091	Built-in 38
		092 ⇄ 093	Built-in 39
		094 ⇄ 095	Built-in 40
		096 ⇄ 097	Built-in 41
		098 ⇄ 099	Built-in 42
		100 ⇄ 101	Built-in 43
		102 ⇄ 103	Built-in 44
		104 ⇄ 105	Built-in 45
		106 ⇄ 107	Built-in 46
		108 ⇄ 109	Built-in 47
		110 ⇄ 111	Built-in 48
		112 ⇄ 113	Built-in 49
114 ⇄ 115	Built-in 50		

Channel	Function	Value	Percent/Setting
12 (cont.)	LED Built-in (cont.)	116 ⇄ 117	Built-in 51
		118 ⇄ 119	Built-in 52
		120 ⇄ 121	Built-in 53
		122 ⇄ 123	Built-in 54
		124 ⇄ 125	Built-in 55
		126 ⇄ 127	Built-in 56
		128 ⇄ 135	Built-in 57
		136 ⇄ 137	Built-in 58
		138 ⇄ 139	Built-in 59
		140 ⇄ 141	Built-in 60
		142 ⇄ 143	Built-in 61
		144 ⇄ 145	Built-in 62
		146 ⇄ 147	Built-in 63
		148 ⇄ 149	Built-in 64
		150 ⇄ 151	Built-in 65
		152 ⇄ 153	Built-in 66
		154 ⇄ 155	Built-in 67
		156 ⇄ 157	Built-in 68
		158 ⇄ 159	Built-in 69
		160 ⇄ 161	Built-in 70
		162 ⇄ 163	Built-in 71
		164 ⇄ 165	Built-in 72
		166 ⇄ 167	Built-in 73
		168 ⇄ 169	Built-in 74
		170 ⇄ 171	Built-in 75
		172 ⇄ 173	Built-in 76
		174 ⇄ 175	Built-in 77
		176 ⇄ 177	Built-in 78
		178 ⇄ 179	Built-in 79
		180 ⇄ 181	Built-in 80
		182 ⇄ 183	Built-in 81
		184 ⇄ 185	Built-in 82
		186 ⇄ 187	Built-in 83
		188 ⇄ 189	Built-in 84
		190 ⇄ 191	Built-in 85
		192 ⇄ 193	Built-in 86
		194 ⇄ 195	Built-in 87
		196 ⇄ 197	Built-in 88
		198 ⇄ 199	Built-in 89
		200 ⇄ 201	Built-in 90
202 ⇄ 203	Built-in 91		
204 ⇄ 205	Built-in 92		
206 ⇄ 207	Built-in 93		
208 ⇄ 209	Built-in 94		
210 ⇄ 211	Built-in 95		
212 ⇄ 213	Built-in 96		
214 ⇄ 215	Built-in 97		
216 ⇄ 217	Built-in 98		
218 ⇄ 219	Built-in 99		
220 ⇄ 221	Built-in 100		

Channel	Function	Value	Percent/Setting
12 (cont.)	LED Built-in (cont.)	222 ⇄ 223	Built-in 101
		224 ⇄ 225	Built-in 102
		226 ⇄ 227	Built-in 103
		228 ⇄ 229	Built-in 104
		230 ⇄ 231	Built-in 105
		232 ⇄ 233	Built-in 106
		234 ⇄ 235	Built-in 107
		236 ⇄ 237	Built-in 108
		238 ⇄ 239	Built-in 109
		240 ⇄ 241	Built-in 110
		242 ⇄ 243	Built-in 111
		244 ⇄ 245	Built-in 112
		246 ⇄ 247	Built-in 113
		248 ⇄ 255	Built-in 114
13	LED Built-in Speed	000 ⇄ 127 128 129 ⇄ 255	Clockwise fast to slow Stop Counter-clockwise slow to fast
14	LED Built-in Delay	000 ⇄ 255	Fast to slow
15	Background Color Macros	000	No function
		001 ⇄ 002	2700K R:156 G: 118 B: 0 W: 63
		003 ⇄ 004	3200K R:156 G: 141 B: 5 W: 89
		005 ⇄ 006	4200K R:156 G: 141 B: 14 W: 255
		007 ⇄ 008	5600K R:156 G: 207 B: 54 W: 255
		009 ⇄ 010	8000K R:130 G: 255 B: 96 W: 255
		11	Blue R: 0 G: 0 B: 255 W: 0
		012 ⇄ 048	R: 0 G: + B: 255 W: 0
		049	Cyan R: 0 G: 255 B: 255 W: 0
		050 ⇄ 086	R: 0 G: 255 B: - W: 0
		087	Green R: 0 G: 255 B: 0 W: 0
		088 ⇄ 124	R: + G: 255 B: 0 W: 0
		125	Yellow R: 255 G: 255 B: 0 W: 0
		126 ⇄ 162	R: 255 G: - B: 0 W: 0
		163	Red R: 255 G: 0 B: 0 W: 0
		164 ⇄ 200	R: 255 G: 0 B: + W: 0
		201	Magenta R: 255 G: 0 B: 255 W: 0
		202 ⇄ 238	R: - G: 0 B: 255 W: 0
		239	Blue R: 0 G: 0 B: 255 W: 0
		240 ⇄ 247	Color change, fast to slow
248 ⇄ 255	Color jump, fast to slow		
16	Background Color Dimmer	000 ⇄ 255	0-100%
17	Background Color Fine Dimmer	000 ⇄ 255	Fine control (16-bit)
18	Background Red	000 ⇄ 255	0-100%
19	Background Fine Red	000 ⇄ 255	Fine control (16-bit)
20	Background Green	000 ⇄ 255	0-100%
21	Background Fine Green	000 ⇄ 255	Fine control (16-bit)
22	Background Blue	000 ⇄ 255	0-100%
23	Background Fine Blue	000 ⇄ 255	Fine control (16-bit)
24	Background White	000 ⇄ 255	0-100%
25	Background Fine White	000 ⇄ 255	Fine control (16-bit)
26	Zoom	000 ⇄ 255	0-100%

Channel	Function	Value	Percent/Setting
27	Control	000 ⇔ 009	No function
		010 ⇔ 014	Pan/Tilt blackout
		015 ⇔ 019	No function
		020 ⇔ 024	RGBW color mixing (5 sec.)
		025 ⇔ 029	CMY color mixing (5 sec.)
		030 ⇔ 034	No function
		035 ⇔ 039	No function
		040 ⇔ 044	No function
		045 ⇔ 049	No function
		050 ⇔ 054	Pan reset
		055 ⇔ 059	Tilt reset
		060 ⇔ 064	Zoom reset
		065 ⇔ 069	No function
		070 ⇔ 074	All reset
		075 ⇔ 079	No function
		080 ⇔ 084	Pan/Tilt reverse
		085 ⇔ 089	Pan reverse
		090 ⇔ 094	Tilt reverse
		095 ⇔ 099	Cancel pan reverse
		100 ⇔ 104	Cancel tilt reverse
		105 ⇔ 109	Cancel pan/tilt reverse
		110 ⇔ 114	No function
		115 ⇔ 119	No function
		120 ⇔ 124	Fan low speed
		125 ⇔ 129	Fan full speed
		130 ⇔ 134	Fan auto
		135 ⇔ 139	Dimmer Fast mode
140 ⇔ 144	Dimmer Smooth mode		
145 ⇔ 149	Linear curve		
150 ⇔ 154	Square curve		
155 ⇔ 159	I Squa curve		
160 ⇔ 164	Scurve		
165 ⇔ 169	White mode on		
170 ⇔ 174	White mode off		
175 ⇔ 255	No function		
28	Red (Cyan)	000 ⇔ 255	0-100%
29	Fine Red (Cyan)	000 ⇔ 255	Fine control (16-bit)
30	Green (Magenta)	000 ⇔ 255	0-100%
31	Fine Green (Magenta)	000 ⇔ 255	Fine control (16-bit)
32	Blue (Yellow)	000 ⇔ 255	0-100%
33	Fine Blue (Yellow)	000 ⇔ 255	Fine control (16-bit)
34	White	000 ⇔ 255	0-100%
35	Fine White	000 ⇔ 255	Fine control (16-bit)
36	Red 1 (Cyan)	000 ⇔ 255	0-100%
37	Fine Red 1 (Cyan)	000 ⇔ 255	Fine control (16-bit)
38	Green 1 (Magenta)	000 ⇔ 255	0-100%
39	Fine Green 1 (Magenta)	000 ⇔ 255	Fine control (16-bit)
40	Blue 1 (Yellow)	000 ⇔ 255	0-100%
41	Fine Blue 1 (Yellow)	000 ⇔ 255	Fine control (16-bit)
42	White 1	000 ⇔ 255	0-100%
43	Fine White 1	000 ⇔ 255	Fine control (16-bit)
44	Red 2 (Cyan)	000 ⇔ 255	0-100%
45	Fine Red 2 (Cyan)	000 ⇔ 255	Fine control (16-bit)
46	Green 2 (Magenta)	000 ⇔ 255	0-100%
47	Fine Green 2 (Magenta)	000 ⇔ 255	Fine control (16-bit)
48	Blue 2 (Yellow)	000 ⇔ 255	0-100%
49	Fine Blue 2 (Yellow)	000 ⇔ 255	Fine control (16-bit)
50	White 2	000 ⇔ 255	0-100%

Channel	Function	Value	Percent/Setting
51	Fine White 2	000 ⇄ 255	Fine control (16-bit)
52	Red 3 (Cyan)	000 ⇄ 255	0-100%
53	Fine Red 3 (Cyan)	000 ⇄ 255	Fine control (16-bit)
54	Green 3 (Magenta)	000 ⇄ 255	0-100%
55	Fine Green 3 (Magenta)	000 ⇄ 255	Fine control (16-bit)
56	Blue 3 (Yellow)	000 ⇄ 255	0-100%
57	Fine Blue 3 (Yellow)	000 ⇄ 255	Fine control (16-bit)
58	White 3	000 ⇄ 255	0-100%
59	Fine White 3	000 ⇄ 255	Fine control (16-bit)
60	Red 4 (Cyan)	000 ⇄ 255	0-100%
61	Fine Red 4 (Cyan)	000 ⇄ 255	Fine control (16-bit)
62	Green 4 (Magenta)	000 ⇄ 255	0-100%
63	Fine Green 4 (Magenta)	000 ⇄ 255	Fine control (16-bit)
64	Blue 4 (Yellow)	000 ⇄ 255	0-100%
65	Fine Blue 4 (Yellow)	000 ⇄ 255	Fine control (16-bit)
66	White 4	000 ⇄ 255	0-100%
67	Fine White 4	000 ⇄ 255	Fine control (16-bit)
68	Red 5 (Cyan)	000 ⇄ 255	0-100%
69	Fine Red 5 (Cyan)	000 ⇄ 255	Fine control (16-bit)
70	Green 5 (Magenta)	000 ⇄ 255	0-100%
71	Fine Green 5 (Magenta)	000 ⇄ 255	Fine control (16-bit)
72	Blue 5 (Yellow)	000 ⇄ 255	0-100%
73	Fine Blue 5 (Yellow)	000 ⇄ 255	Fine control (16-bit)
74	White 5	000 ⇄ 255	0-100%
75	Fine White 5	000 ⇄ 255	Fine control (16-bit)
76	Red 6 (Cyan)	000 ⇄ 255	0-100%
77	Fine Red 6 (Cyan)	000 ⇄ 255	Fine control (16-bit)
78	Green 6 (Magenta)	000 ⇄ 255	0-100%
79	Fine Green 6 (Magenta)	000 ⇄ 255	Fine control (16-bit)
80	Blue 6 (Yellow)	000 ⇄ 255	0-100%
81	Fine Blue 6 (Yellow)	000 ⇄ 255	Fine control (16-bit)
82	White 6	000 ⇄ 255	0-100%
83	Fine White 6	000 ⇄ 255	Fine control (16-bit)
84	Red 7 (Cyan)	000 ⇄ 255	0-100%
85	Fine Red 7 (Cyan)	000 ⇄ 255	Fine control (16-bit)
86	Green 7 (Magenta)	000 ⇄ 255	0-100%
87	Fine Green 7 (Magenta)	000 ⇄ 255	Fine control (16-bit)
88	Blue 7 (Yellow)	000 ⇄ 255	0-100%
89	Fine Blue 7 (Yellow)	000 ⇄ 255	Fine control (16-bit)
90	White 7	000 ⇄ 255	0-100%
91	Fine White 7	000 ⇄ 255	Fine control (16-bit)
92	Red 8 (Cyan)	000 ⇄ 255	0-100%
93	Fine Red 8 (Cyan)	000 ⇄ 255	Fine control (16-bit)
94	Green 8 (Magenta)	000 ⇄ 255	0-100%
95	Fine Green 8 (Magenta)	000 ⇄ 255	Fine control (16-bit)
96	Blue 8 (Yellow)	000 ⇄ 255	0-100%
97	Fine Blue 8 (Yellow)	000 ⇄ 255	Fine control (16-bit)
98	White 8	000 ⇄ 255	0-100%
99	Fine White 8	000 ⇄ 255	Fine control (16-bit)
100	Red 9 (Cyan)	000 ⇄ 255	0-100%

Operation

Channel	Function	Value	Percent/Setting
101	Fine Red 9 (Cyan)	000 ⇔ 255	Fine control (16-bit)
102	Green 9 (Magenta)	000 ⇔ 255	0-100%
103	Fine Green 9 (Magenta)	000 ⇔ 255	Fine control (16-bit)
104	Blue 9 (Yellow)	000 ⇔ 255	0-100%
105	Fine Blue 9 (Yellow)	000 ⇔ 255	Fine control (16-bit)
106	White 9	000 ⇔ 255	0-100%
107	Fine White 9	000 ⇔ 255	Fine control (16-bit)

71 CH

Channel	Function	Value	Percent/Setting
1	Pan	000 ⇔ 255	0-100%
2	Fine Pan	000 ⇔ 255	Fine control (16-bit)
3	Tilt	000 ⇔ 255	0-100%
4	Fine Tilt	000 ⇔ 255	Fine control (16-bit)
5	Pan/Tilt Speed	000 ⇔ 255	0-100%
6	Dimmer	000 ⇔ 255	0-100%
7	Fine Dimmer	000 ⇔ 255	Fine control (16-bit)
8	Shutter	000 ⇔ 019 off 020 ⇔ 024 on 025 ⇔ 064 strobe 1 with decreasing speed 065 ⇔ 069 on 070 ⇔ 084 strobe 2 (fast on slow off) with decreasing speed 085 ⇔ 089 on 090 ⇔ 104 strobe 3 (slow on fast off) with decreasing speed 105 ⇔ 109 on 110 ⇔ 124 strobe 4 (random strobe) with decreasing speed 125 ⇔ 129 on 130 ⇔ 144 strobe 5 (random fast on slow off) with decreasing speed 145 ⇔ 149 on 150 ⇔ 164 strobe 6 (random slow on fast off) with decreasing speed 165 ⇔ 169 on 170 ⇔ 184 strobe 7 (pulse strobe) with decreasing speed 185 ⇔ 189 on 190 ⇔ 204 strobe 8 (random pulse strobe) with decreasing speed 205 ⇔ 209 on 210 ⇔ 224 strobe 9 (fade on or off) with decreasing speed 225 ⇔ 229 on 230 ⇔ 244 strobe 10 (pulse strobe) with decreasing speed 245 ⇔ 255 on	
9	CTC	000 001 ⇔ 255	No function 2800 to 10,000K

Channel	Function	Value	Percent/Setting				
10	Color	000	No function				
		001 ⇄ 002	2700K	R:156	G: 118	B: 0	W: 63
		003 ⇄ 004	3200K	R:156	G: 141	B: 5	W: 89
		005 ⇄ 006	4200K	R:156	G: 141	B: 14	W: 255
		007 ⇄ 008	5600K	R:156	G: 207	B: 54	W: 255
		009 ⇄ 010	8000K	R:130	G: 255	B: 96	W: 255
		11	Blue	R: 0	G: 0	B: 255	W: 0
		012 ⇄ 048		R: 0	G: +	B: 255	W: 0
		049	Cyan	R: 0	G: 255	B: 255	W: 0
		050 ⇄ 086		R: 0	G: 255	B: -	W: 0
		087	Green	R: 0	G: 255	B: 0	W: 0
		088 ⇄ 124		R: +	G: 255	B: 0	W: 0
		125	Yellow	R: 255	G: 255	B: 0	W: 0
		126 ⇄ 162		R: 255	G: -	B: 0	W: 0
		163	Red	R: 255	G: 0	B: 0	W: 0
		164 ⇄ 200		R: 255	G: 0	B: +	W: 0
		201	Magenta	R: 255	G: 0	B: 255	W: 0
		202 ⇄ 238		R: -	G: 0	B: 255	W: 0
		239	Blue	R: 0	G: 0	B: 255	W: 0
		240 ⇄ 247	Color change, fast to slow				
248 ⇄ 255	Color jump, fast to slow						
11	Gobo	000 ⇄ 003	No function				
		004 ⇄ 006	Gobo 1				
		007 ⇄ 009	Gobo 2				
		010 ⇄ 012	Gobo 3				
		013 ⇄ 015	Gobo 4				
		016 ⇄ 018	Gobo 5				
		019 ⇄ 021	Gobo 6				
		022 ⇄ 024	Gobo 7				
		025 ⇄ 027	Gobo 8				
		028 ⇄ 030	Gobo 9				
		031 ⇄ 033	No Gobo				
		034 ⇄ 036	Gobo 10				
		037 ⇄ 039	Gobo 11				
		040 ⇄ 042	Gobo 12				
		043 ⇄ 045	Gobo 13				
		046 ⇄ 048	Gobo 14				
		049 ⇄ 051	Gobo 15				
		052 ⇄ 054	Gobo 16				
		055 ⇄ 057	Gobo 17				
		058 ⇄ 060	Gobo 18				
		061 ⇄ 063	Gobo 19				
		064 ⇄ 066	Gobo 20				
		067 ⇄ 069	Gobo 21				
		070 ⇄ 072	Gobo 22				
		073 ⇄ 075	Gobo 23				
		076 ⇄ 078	Gobo 24				
		079 ⇄ 081	Gobo 25				
		082 ⇄ 084	Gobo 26				
		085 ⇄ 087	Gobo 27				
		088 ⇄ 090	Gobo 28				
		091 ⇄ 093	Gobo 29				
		094 ⇄ 096	Gobo 30				
		097 ⇄ 099	Gobo 31				
		100 ⇄ 102	Gobo 32				
		103 ⇄ 105	Gobo 33				
		106 ⇄ 108	Gobo 34				
		109 ⇄ 111	Gobo 35				
		112 ⇄ 114	Gobo 36				
		115 ⇄ 117	Gobo 37				
		118 ⇄ 120	Gobo 38				
121 ⇄ 123	Gobo 39						
124 ⇄ 126	Gobo 40						

Channel	Function	Value	Percent/Setting
11 (cont.)	Gobo (cont.)	127 ⇄ 129	Gobo 41
		130 ⇄ 132	Gobo 42
		133 ⇄ 135	Gobo 43
		136 ⇄ 138	Gobo 44
		139 ⇄ 141	Gobo 45
		142 ⇄ 144	Gobo 46
		145 ⇄ 147	Gobo 47
		148 ⇄ 150	Gobo 48
		151 ⇄ 153	Gobo 49
		154 ⇄ 156	Gobo 50
		157 ⇄ 159	Gobo 51
		160 ⇄ 162	Gobo 52
		163 ⇄ 165	Gobo 53
		166 ⇄ 168	Gobo 54
		169 ⇄ 171	Gobo 55
		172 ⇄ 174	Gobo 56
		175 ⇄ 177	Gobo 57
		178 ⇄ 180	Gobo 58
		181 ⇄ 183	Gobo 59
		184 ⇄ 186	Gobo 60
		187 ⇄ 189	Gobo 61
		190 ⇄ 192	Gobo 62
		193 ⇄ 195	Gobo 63
		196 ⇄ 198	Gobo 64
		199 ⇄ 201	Gobo 65
		202 ⇄ 204	Gobo 66
		205 ⇄ 207	Gobo 67
		208 ⇄ 210	Gobo 68
		211 ⇄ 213	Gobo 69
		214 ⇄ 216	Gobo 70
		217 ⇄ 219	Gobo 71
		220 ⇄ 222	Gobo 72
		223 ⇄ 225	Gobo 73
		226 ⇄ 228	Gobo 74
229 ⇄ 231	Gobo 75		
232 ⇄ 234	Gobo 76		
235 ⇄ 237	Gobo 77		
238 ⇄ 240	Gobo 78		
241 ⇄ 243	Gobo 79		
244 ⇄ 246	Gobo 80		
247 ⇄ 249	Gobo 81		
250 ⇄ 252	Gobo 82		
253 ⇄ 255	Gobo 83		

Channel	Function	Value	Percent/Setting
12	LED Built-in	000 ⇄ 015	No function
		016 ⇄ 017	Built-in 1
		018 ⇄ 019	Built-in 2
		020 ⇄ 021	Built-in 3
		022 ⇄ 023	Built-in 4
		024 ⇄ 025	Built-in 5
		026 ⇄ 027	Built-in 6
		028 ⇄ 029	Built-in 7
		030 ⇄ 031	Built-in 8
		032 ⇄ 033	Built-in 9
		034 ⇄ 035	Built-in 10
		036 ⇄ 037	Built-in 11
		038 ⇄ 039	Built-in 12
		040 ⇄ 041	Built-in 13
		042 ⇄ 043	Built-in 14
		044 ⇄ 045	Built-in 15
		046 ⇄ 047	Built-in 16
		048 ⇄ 049	Built-in 17
		050 ⇄ 051	Built-in 18
		052 ⇄ 053	Built-in 19
		054 ⇄ 055	Built-in 20
		056 ⇄ 057	Built-in 21
		058 ⇄ 059	Built-in 22
		060 ⇄ 061	Built-in 23
		062 ⇄ 063	Built-in 24
		064 ⇄ 065	Built-in 25
		066 ⇄ 067	Built-in 26
		068 ⇄ 069	Built-in 27
		070 ⇄ 071	Built-in 28
		072 ⇄ 073	Built-in 29
		074 ⇄ 075	Built-in 30
		076 ⇄ 077	Built-in 31
		078 ⇄ 079	Built-in 32
		080 ⇄ 081	Built-in 33
		082 ⇄ 083	Built-in 34
		084 ⇄ 085	Built-in 35
		086 ⇄ 087	Built-in 36
		088 ⇄ 089	Built-in 37
		090 ⇄ 091	Built-in 38
		092 ⇄ 093	Built-in 39
		094 ⇄ 095	Built-in 40
		096 ⇄ 097	Built-in 41
		098 ⇄ 099	Built-in 42
		100 ⇄ 101	Built-in 43
		102 ⇄ 103	Built-in 44
		104 ⇄ 105	Built-in 45
		106 ⇄ 107	Built-in 46
		108 ⇄ 109	Built-in 47
		110 ⇄ 111	Built-in 48
		112 ⇄ 113	Built-in 49
		114 ⇄ 115	Built-in 50
		116 ⇄ 117	Built-in 51
		118 ⇄ 119	Built-in 52
		120 ⇄ 121	Built-in 53
		122 ⇄ 123	Built-in 54
		124 ⇄ 125	Built-in 55
		126 ⇄ 127	Built-in 56
		128 ⇄ 135	Built-in 57
		136 ⇄ 137	Built-in 58
		138 ⇄ 139	Built-in 59
140 ⇄ 141	Built-in 60		

Channel	Function	Value	Percent/Setting
12 (cont.)	LED Built-in (cont.)	142 ⇄ 143	Built-in 61
		144 ⇄ 145	Built-in 62
		146 ⇄ 147	Built-in 63
		148 ⇄ 149	Built-in 64
		150 ⇄ 151	Built-in 65
		152 ⇄ 153	Built-in 66
		154 ⇄ 155	Built-in 67
		156 ⇄ 157	Built-in 68
		158 ⇄ 159	Built-in 69
		160 ⇄ 161	Built-in 70
		162 ⇄ 163	Built-in 71
		164 ⇄ 165	Built-in 72
		166 ⇄ 167	Built-in 73
		168 ⇄ 169	Built-in 74
		170 ⇄ 171	Built-in 75
		172 ⇄ 173	Built-in 76
		174 ⇄ 175	Built-in 77
		176 ⇄ 177	Built-in 78
		178 ⇄ 179	Built-in 79
		180 ⇄ 181	Built-in 80
		182 ⇄ 183	Built-in 81
		184 ⇄ 185	Built-in 82
		186 ⇄ 187	Built-in 83
		188 ⇄ 189	Built-in 84
		190 ⇄ 191	Built-in 85
		192 ⇄ 193	Built-in 86
		194 ⇄ 195	Built-in 87
		196 ⇄ 197	Built-in 88
		198 ⇄ 199	Built-in 89
		200 ⇄ 201	Built-in 90
		202 ⇄ 203	Built-in 91
		204 ⇄ 205	Built-in 92
206 ⇄ 207	Built-in 93		
208 ⇄ 209	Built-in 94		
210 ⇄ 211	Built-in 95		
212 ⇄ 213	Built-in 96		
214 ⇄ 215	Built-in 97		
216 ⇄ 217	Built-in 98		
218 ⇄ 219	Built-in 99		
220 ⇄ 221	Built-in 100		
222 ⇄ 223	Built-in 101		
224 ⇄ 225	Built-in 102		
226 ⇄ 227	Built-in 103		
228 ⇄ 229	Built-in 104		
230 ⇄ 231	Built-in 105		
232 ⇄ 233	Built-in 106		
234 ⇄ 235	Built-in 107		
236 ⇄ 237	Built-in 108		
238 ⇄ 239	Built-in 109		
240 ⇄ 241	Built-in 110		
242 ⇄ 243	Built-in 111		
244 ⇄ 245	Built-in 112		
246 ⇄ 247	Built-in 113		
248 ⇄ 255	Built-in 114		
13	LED Built-in Speed	000 ⇄ 127 128 129 ⇄ 255	Clockwise fast to slow Stop Counter-clockwise slow to fast
14	LED Built-in Delay	000 ⇄ 255	Fast to slow

Channel	Function	Value	Percent/Setting				
15	Background Color Macros	000	No function				
		001 ⇌ 002	2700K	R:156	G: 118	B: 0	W: 63
		003 ⇌ 004	3200K	R:156	G: 141	B: 5	W: 89
		005 ⇌ 006	4200K	R:156	G: 141	B: 14	W: 255
		007 ⇌ 008	5600K	R:156	G: 207	B: 54	W: 255
		009 ⇌ 010	8000K	R:130	G: 255	B: 96	W: 255
		11	Blue	R: 0	G: 0	B: 255	W: 0
		012 ⇌ 048		R: 0	G: +	B: 255	W: 0
		049	Cyan	R: 0	G: 255	B: 255	W: 0
		050 ⇌ 086		R: 0	G: 255	B: -	W: 0
		087	Green	R: 0	G: 255	B: 0	W: 0
		088 ⇌ 124		R: +	G: 255	B: 0	W: 0
		125	Yellow	R: 255	G: 255	B: 0	W: 0
		126 ⇌ 162		R: 255	G: -	B: 0	W: 0
		163	Red	R: 255	G: 0	B: 0	W: 0
		164 ⇌ 200		R: 255	G: 0	B: +	W: 0
		201	Magenta	R: 255	G: 0	B: 255	W: 0
		202 ⇌ 238		R: -	G: 0	B: 255	W: 0
		239	Blue	R: 0	G: 0	B: 255	W: 0
		240 ⇌ 247	Color change, fast to slow				
248 ⇌ 255	Color jump, fast to slow						
16	Background Color Dimmer	000 ⇌ 255	0-100%				
17	Background Red	000 ⇌ 255	0-100%				
18	Background Green	000 ⇌ 255	0-100%				
19	Background Blue	000 ⇌ 255	0-100%				
20	Background White	000 ⇌ 255	0-100%				
21	Zoom	000 ⇌ 255	0-100%				

Channel	Function	Value	Percent/Setting
22	Control	000 ⇄ 009	No function
		010 ⇄ 014	Pan/Tilt blackout
		015 ⇄ 019	No function
		020 ⇄ 024	RGBW color mixing (5 sec.)
		025 ⇄ 029	CMY color mixing (5 sec.)
		030 ⇄ 034	No function
		035 ⇄ 039	No function
		040 ⇄ 044	No function
		045 ⇄ 049	No function
		050 ⇄ 054	Pan reset
		055 ⇄ 059	Tilt reset
		060 ⇄ 064	Zoom reset
		065 ⇄ 069	No function
		070 ⇄ 074	All reset
		075 ⇄ 079	No function
		080 ⇄ 084	Pan/Tilt reverse
		085 ⇄ 089	Pan reverse
		090 ⇄ 094	Tilt reverse
		095 ⇄ 099	Cancel pan reverse
		100 ⇄ 104	Cancel tilt reverse
		105 ⇄ 109	Cancel pan/tilt reverse
110 ⇄ 114	No function		
115 ⇄ 119	No function		
120 ⇄ 124	Fan low speed		
125 ⇄ 129	Fan full speed		
130 ⇄ 134	Fan auto		
135 ⇄ 139	Dimmer Fast mode		
140 ⇄ 144	Dimmer Smooth mode		
145 ⇄ 149	Linear curve		
150 ⇄ 154	Square curve		
155 ⇄ 159	I Squa curve		
160 ⇄ 164	Scurve		
165 ⇄ 169	White mode on		
170 ⇄ 174	White mode off		
175 ⇄ 255	No function		
23	Red (Cyan)	000 ⇄ 255	0-100%
24	Green (Magenta)	000 ⇄ 255	0-100%
25	Blue (Yellow)	000 ⇄ 255	0-100%
26	White	000 ⇄ 255	0-100%
27	Dimmer 1	000 ⇄ 255	0-100%
28	Red 1 (Cyan)	000 ⇄ 255	0-100%
29	Green 1 (Magenta)	000 ⇄ 255	0-100%
30	Blue 1 (Yellow)	000 ⇄ 255	0-100%
31	White 1	000 ⇄ 255	0-100%
32	Dimmer 2	000 ⇄ 255	0-100%
33	Red 2 (Cyan)	000 ⇄ 255	0-100%
34	Green 2 (Magenta)	000 ⇄ 255	0-100%
35	Blue 2 (Yellow)	000 ⇄ 255	0-100%
36	White 2	000 ⇄ 255	0-100%
37	Dimmer 3	000 ⇄ 255	0-100%
38	Red 3 (Cyan)	000 ⇄ 255	0-100%
39	Green 3 (Magenta)	000 ⇄ 255	0-100%
40	Blue 3 (Yellow)	000 ⇄ 255	0-100%
41	White 3	000 ⇄ 255	0-100%
42	Dimmer 4	000 ⇄ 255	0-100%
43	Red 4 (Cyan)	000 ⇄ 255	0-100%
44	Green 4 (Magenta)	000 ⇄ 255	0-100%
45	Blue 4 (Yellow)	000 ⇄ 255	0-100%

Channel	Function	Value	Percent/Setting
46	White 4	000 ⇄ 255	0-100%
47	Dimmer 5	000 ⇄ 255	0-100%
48	Red 5 (Cyan)	000 ⇄ 255	0-100%
49	Green 5 (Magenta)	000 ⇄ 255	0-100%
50	Blue 5 (Yellow)	000 ⇄ 255	0-100%
51	White 5	000 ⇄ 255	0-100%
52	Dimmer 6	000 ⇄ 255	0-100%
53	Red 6 (Cyan)	000 ⇄ 255	0-100%
54	Green 6 (Magenta)	000 ⇄ 255	0-100%
55	Blue 6 (Yellow)	000 ⇄ 255	0-100%
56	White 6	000 ⇄ 255	0-100%
57	Dimmer 7	000 ⇄ 255	0-100%
58	Red 7 (Cyan)	000 ⇄ 255	0-100%
59	Green 7 (Magenta)	000 ⇄ 255	0-100%
60	Blue 7 (Yellow)	000 ⇄ 255	0-100%
61	White 7	000 ⇄ 255	0-100%
62	Dimmer 8	000 ⇄ 255	0-100%
63	Red 8 (Cyan)	000 ⇄ 255	0-100%
64	Green 8 (Magenta)	000 ⇄ 255	0-100%
65	Blue 8 (Yellow)	000 ⇄ 255	0-100%
66	White 8	000 ⇄ 255	0-100%
67	Dimmer 9	000 ⇄ 255	0-100%
68	Red 9 (Cyan)	000 ⇄ 255	0-100%
69	Green 9 (Magenta)	000 ⇄ 255	0-100%
70	Blue 9 (Yellow)	000 ⇄ 255	0-100%
71	White 9	000 ⇄ 255	0-100%

Operation

62 CH

Channel	Function	Value	Percent/Setting
1	Pan	000 ⇔ 255	0-100%
2	Fine Pan	000 ⇔ 255	Fine control (16-bit)
3	Tilt	000 ⇔ 255	0-100%
4	Fine Tilt	000 ⇔ 255	Fine control (16-bit)
5	Pan/Tilt Speed	000 ⇔ 255	0-100%
6	Dimmer	000 ⇔ 255	0-100%
7	Fine Dimmer	000 ⇔ 255	Fine control (16-bit)
8	Shutter	000 ⇔ 019	off
		020 ⇔ 024	on
		025 ⇔ 064	strobe 1 with decreasing speed
		065 ⇔ 069	on
		070 ⇔ 084	strobe 2 (fast on slow off) with decreasing speed
		085 ⇔ 089	on
		090 ⇔ 104	strobe 3 (slow on fast off) with decreasing speed
		105 ⇔ 109	on
		110 ⇔ 124	strobe 4 (random strobe) with decreasing speed
		125 ⇔ 129	on
		130 ⇔ 144	strobe 5 (random fast on slow off) with decreasing speed
		145 ⇔ 149	on
		150 ⇔ 164	strobe 6 (random slow on fast off) with decreasing speed
		165 ⇔ 169	on
		170 ⇔ 184	strobe 7 (pulse strobe) with decreasing speed
		185 ⇔ 189	on
190 ⇔ 204	strobe 8 (random pulse strobe) with decreasing speed		
205 ⇔ 209	on		
210 ⇔ 224	strobe 9 (fade on or off) with decreasing speed		
225 ⇔ 229	on		
230 ⇔ 244	strobe 10 (pulse strobe) with decreasing speed		
245 ⇔ 255	on		
9	CTC	000	No function
		001 ⇔ 255	2800 to 10,000K
10	Color	000	No function
		001 ⇔ 002	2700K R:156 G: 118 B: 0 W: 63
		003 ⇔ 004	3200K R:156 G: 141 B: 5 W: 89
		005 ⇔ 006	4200K R:156 G: 141 B: 14 W: 255
		007 ⇔ 008	5600K R:156 G: 207 B: 54 W: 255
		009 ⇔ 010	8000K R:130 G: 255 B: 96 W: 255
		11	Blue R: 0 G: 0 B: 255 W: 0
		012 ⇔ 048	R: 0 G: + B: 255 W: 0
		049	Cyan R: 0 G: 255 B: 255 W: 0
		050 ⇔ 086	R: 0 G: 255 B: - W: 0
		087	Green R: 0 G: 255 B: 0 W: 0
		088 ⇔ 124	R: + G: 255 B: 0 W: 0
		125	Yellow R: 255 G: 255 B: 0 W: 0
		126 ⇔ 162	R: 255 G: - B: 0 W: 0
		163	Red R: 255 G: 0 B: 0 W: 0
		164 ⇔ 200	R: 255 G: 0 B: + W: 0
		201	Magenta R: 255 G: 0 B: 255 W: 0
		202 ⇔ 238	R: - G: 0 B: 255 W: 0
		239	Blue R: 0 G: 0 B: 255 W: 0
		240 ⇔ 247	Color change, fast to slow
248 ⇔ 255	Color jump, fast to slow		

Channel	Function	Value	Percent/Setting
11	Gobo	000 ⇄ 003	No function
		004 ⇄ 006	Gobo 1
		007 ⇄ 009	Gobo 2
		010 ⇄ 012	Gobo 3
		013 ⇄ 015	Gobo 4
		016 ⇄ 018	Gobo 5
		019 ⇄ 021	Gobo 6
		022 ⇄ 024	Gobo 7
		025 ⇄ 027	Gobo 8
		028 ⇄ 030	Gobo 9
		031 ⇄ 033	No Gobo
		034 ⇄ 036	Gobo 10
		037 ⇄ 039	Gobo 11
		040 ⇄ 042	Gobo 12
		043 ⇄ 045	Gobo 13
		046 ⇄ 048	Gobo 14
		049 ⇄ 051	Gobo 15
		052 ⇄ 054	Gobo 16
		055 ⇄ 057	Gobo 17
		058 ⇄ 060	Gobo 18
		061 ⇄ 063	Gobo 19
		064 ⇄ 066	Gobo 20
		067 ⇄ 069	Gobo 21
		070 ⇄ 072	Gobo 22
		073 ⇄ 075	Gobo 23
		076 ⇄ 078	Gobo 24
		079 ⇄ 081	Gobo 25
		082 ⇄ 084	Gobo 26
		085 ⇄ 087	Gobo 27
		088 ⇄ 090	Gobo 28
		091 ⇄ 093	Gobo 29
		094 ⇄ 096	Gobo 30
		097 ⇄ 099	Gobo 31
		100 ⇄ 102	Gobo 32
		103 ⇄ 105	Gobo 33
		106 ⇄ 108	Gobo 34
		109 ⇄ 111	Gobo 35
		112 ⇄ 114	Gobo 36
		115 ⇄ 117	Gobo 37
		118 ⇄ 120	Gobo 38
		121 ⇄ 123	Gobo 39
		124 ⇄ 126	Gobo 40
		127 ⇄ 129	Gobo 41
		130 ⇄ 132	Gobo 42
		133 ⇄ 135	Gobo 43
		136 ⇄ 138	Gobo 44
		139 ⇄ 141	Gobo 45
		142 ⇄ 144	Gobo 46
		145 ⇄ 147	Gobo 47
		148 ⇄ 150	Gobo 48
151 ⇄ 153	Gobo 49		
154 ⇄ 156	Gobo 50		

Channel	Function	Value	Percent/Setting
11 (cont.)	Gobo (cont.)	157 ⇄ 159	Gobo 51
		160 ⇄ 162	Gobo 52
		163 ⇄ 165	Gobo 53
		166 ⇄ 168	Gobo 54
		169 ⇄ 171	Gobo 55
		172 ⇄ 174	Gobo 56
		175 ⇄ 177	Gobo 57
		178 ⇄ 180	Gobo 58
		181 ⇄ 183	Gobo 59
		184 ⇄ 186	Gobo 60
		187 ⇄ 189	Gobo 61
		190 ⇄ 192	Gobo 62
		193 ⇄ 195	Gobo 63
		196 ⇄ 198	Gobo 64
		199 ⇄ 201	Gobo 65
		202 ⇄ 204	Gobo 66
		205 ⇄ 207	Gobo 67
		208 ⇄ 210	Gobo 68
		211 ⇄ 213	Gobo 69
		214 ⇄ 216	Gobo 70
		217 ⇄ 219	Gobo 71
		220 ⇄ 222	Gobo 72
		223 ⇄ 225	Gobo 73
		226 ⇄ 228	Gobo 74
		229 ⇄ 231	Gobo 75
		232 ⇄ 234	Gobo 76
		235 ⇄ 237	Gobo 77
		238 ⇄ 240	Gobo 78
		241 ⇄ 243	Gobo 79
		244 ⇄ 246	Gobo 80
		247 ⇄ 249	Gobo 81
		250 ⇄ 252	Gobo 82
		253 ⇄ 255	Gobo 83
12	LED Built-in	000 ⇄ 015	No function
		016 ⇄ 017	Built-in 1
		018 ⇄ 019	Built-in 2
		020 ⇄ 021	Built-in 3
		022 ⇄ 023	Built-in 4
		024 ⇄ 025	Built-in 5
		026 ⇄ 027	Built-in 6
		028 ⇄ 029	Built-in 7
		030 ⇄ 031	Built-in 8
		032 ⇄ 033	Built-in 9
		034 ⇄ 035	Built-in 10
		036 ⇄ 037	Built-in 11
		038 ⇄ 039	Built-in 12
		040 ⇄ 041	Built-in 13
		042 ⇄ 043	Built-in 14
		044 ⇄ 045	Built-in 15
		046 ⇄ 047	Built-in 16
		048 ⇄ 049	Built-in 17
		050 ⇄ 051	Built-in 18
		052 ⇄ 053	Built-in 19
		054 ⇄ 055	Built-in 20
		056 ⇄ 057	Built-in 21
		058 ⇄ 059	Built-in 22
		060 ⇄ 061	Built-in 23
		062 ⇄ 063	Built-in 24
064 ⇄ 065	Built-in 25		

Channel	Function	Value	Percent/Setting
		066 ⇄ 067	Built-in 26
		068 ⇄ 069	Built-in 27
		070 ⇄ 071	Built-in 28
		072 ⇄ 073	Built-in 29
		074 ⇄ 075	Built-in 30
		076 ⇄ 077	Built-in 31
		078 ⇄ 079	Built-in 32
		080 ⇄ 081	Built-in 33
		082 ⇄ 083	Built-in 34
		084 ⇄ 085	Built-in 35
		086 ⇄ 087	Built-in 36
		088 ⇄ 089	Built-in 37
		090 ⇄ 091	Built-in 38
		092 ⇄ 093	Built-in 39
		094 ⇄ 095	Built-in 40
		096 ⇄ 097	Built-in 41
		098 ⇄ 099	Built-in 42
		100 ⇄ 101	Built-in 43
		102 ⇄ 103	Built-in 44
		104 ⇄ 105	Built-in 45
		106 ⇄ 107	Built-in 46
		108 ⇄ 109	Built-in 47
		110 ⇄ 111	Built-in 48
		112 ⇄ 113	Built-in 49
		114 ⇄ 115	Built-in 50
		116 ⇄ 117	Built-in 51
		118 ⇄ 119	Built-in 52
		120 ⇄ 121	Built-in 53
		122 ⇄ 123	Built-in 54
12 (cont.)	LED Built-in (cont.)	124 ⇄ 125	Built-in 55
		126 ⇄ 127	Built-in 56
		128 ⇄ 135	Built-in 57
		136 ⇄ 137	Built-in 58
		138 ⇄ 139	Built-in 59
		140 ⇄ 141	Built-in 60
		142 ⇄ 143	Built-in 61
		144 ⇄ 145	Built-in 62
		146 ⇄ 147	Built-in 63
		148 ⇄ 149	Built-in 64
		150 ⇄ 151	Built-in 65
		152 ⇄ 153	Built-in 66
		154 ⇄ 155	Built-in 67
		156 ⇄ 157	Built-in 68
		158 ⇄ 159	Built-in 69
		160 ⇄ 161	Built-in 70
		162 ⇄ 163	Built-in 71
		164 ⇄ 165	Built-in 72
		166 ⇄ 167	Built-in 73
		168 ⇄ 169	Built-in 74
		170 ⇄ 171	Built-in 75
		172 ⇄ 173	Built-in 76
		174 ⇄ 175	Built-in 77
		176 ⇄ 177	Built-in 78
		178 ⇄ 179	Built-in 79
		180 ⇄ 181	Built-in 80
		182 ⇄ 183	Built-in 81
		184 ⇄ 185	Built-in 82
		186 ⇄ 187	Built-in 83
		188 ⇄ 189	Built-in 84
		190 ⇄ 191	Built-in 85

Operation



Channel	Function	Value	Percent/Setting
12 (cont.)	LED Built-in (cont.)	192 ⇄ 193	Built-in 86
		194 ⇄ 195	Built-in 87
		196 ⇄ 197	Built-in 88
		198 ⇄ 199	Built-in 89
		200 ⇄ 201	Built-in 90
		202 ⇄ 203	Built-in 91
		204 ⇄ 205	Built-in 92
		206 ⇄ 207	Built-in 93
		208 ⇄ 209	Built-in 94
		210 ⇄ 211	Built-in 95
		212 ⇄ 213	Built-in 96
		214 ⇄ 215	Built-in 97
		216 ⇄ 217	Built-in 98
		218 ⇄ 219	Built-in 99
		220 ⇄ 221	Built-in 100
		222 ⇄ 223	Built-in 101
		224 ⇄ 225	Built-in 102
		226 ⇄ 227	Built-in 103
		228 ⇄ 229	Built-in 104
		230 ⇄ 231	Built-in 105
		232 ⇄ 233	Built-in 106
		234 ⇄ 235	Built-in 107
		236 ⇄ 237	Built-in 108
		238 ⇄ 239	Built-in 109
240 ⇄ 241	Built-in 110		
242 ⇄ 243	Built-in 111		
244 ⇄ 245	Built-in 112		
246 ⇄ 247	Built-in 113		
248 ⇄ 255	Built-in 114		
13	LED Built-in Speed	000 ⇄ 127 128 129 ⇄ 255	Clockwise fast to slow Stop Counter-clockwise slow to fast
14	LED Built-in Delay	000 ⇄ 255	Fast to slow
15	Background Color Macros	000	No function
		001 ⇄ 002	2700K R:156 G: 118 B: 0 W: 63
		003 ⇄ 004	3200K R:156 G: 141 B: 5 W: 89
		005 ⇄ 006	4200K R:156 G: 141 B: 14 W: 255
		007 ⇄ 008	5600K R:156 G: 207 B: 54 W: 255
		009 ⇄ 010	8000K R:130 G: 255 B: 96 W: 255
		11	Blue R: 0 G: 0 B: 255 W: 0
		012 ⇄ 048	R: 0 G: + B: 255 W: 0
		049	Cyan R: 0 G: 255 B: 255 W: 0
		050 ⇄ 086	R: 0 G: 255 B: - W: 0
		087	Green R: 0 G: 255 B: 0 W: 0
		088 ⇄ 124	R: + G: 255 B: 0 W: 0
		125	Yellow R: 255 G: 255 B: 0 W: 0
		126 ⇄ 162	R: 255 G: - B: 0 W: 0
		163	Red R: 255 G: 0 B: 0 W: 0
		164 ⇄ 200	R: 255 G: 0 B: + W: 0
		201	Magenta R: 255 G: 0 B: 255 W: 0
		202 ⇄ 238	R: - G: 0 B: 255 W: 0
		239	Blue R: 0 G: 0 B: 255 W: 0
		240 ⇄ 247	Color change, fast to slow
248 ⇄ 255	Color jump, fast to slow		
16	Background Color Dimmer	000 ⇄ 255	0-100%
17	Background Red	000 ⇄ 255	0-100%
18	Background Green	000 ⇄ 255	0-100%
19	Background Blue	000 ⇄ 255	0-100%
20	Background White	000 ⇄ 255	0-100%
21	Zoom	000 ⇄ 255	0-100%

Channel	Function	Value	Percent/Setting
22	Control	000 ⇔ 009	No function
		010 ⇔ 014	Pan/Tilt blackout
		015 ⇔ 019	No function
		020 ⇔ 024	RGBW color mixing (5 sec.)
		025 ⇔ 029	CMY color mixing (5 sec.)
		030 ⇔ 034	No function
		035 ⇔ 039	No function
		040 ⇔ 044	No function
		045 ⇔ 049	No function
		050 ⇔ 054	Pan reset
		055 ⇔ 059	Tilt reset
		060 ⇔ 064	Zoom reset
		065 ⇔ 069	No function
		070 ⇔ 074	All reset
		075 ⇔ 079	No function
		080 ⇔ 084	Pan/Tilt reverse
		085 ⇔ 089	Pan reverse
		090 ⇔ 094	Tilt reverse
		095 ⇔ 099	Cancel pan reverse
		100 ⇔ 104	Cancel tilt reverse
		105 ⇔ 109	Cancel pan/tilt reverse
110 ⇔ 114	No function		
115 ⇔ 119	No function		
120 ⇔ 124	Fan low speed		
125 ⇔ 129	Fan full speed		
130 ⇔ 134	Fan auto		
135 ⇔ 139	Dimmer Fast mode		
140 ⇔ 144	Dimmer Smooth mode		
145 ⇔ 149	Linear curve		
150 ⇔ 154	Square curve		
155 ⇔ 159	I Squa curve		
160 ⇔ 164	Scurve		
165 ⇔ 169	White mode on		
170 ⇔ 174	White mode off		
175 ⇔ 255	No function		
23	Red (Cyan)	000 ⇔ 255	0-100%
24	Green (Magenta)	000 ⇔ 255	0-100%
25	Blue (Yellow)	000 ⇔ 255	0-100%
26	White	000 ⇔ 255	0-100%
27	Red 1 (Cyan)	000 ⇔ 255	0-100%
28	Green 1 (Magenta)	000 ⇔ 255	0-100%
29	Blue 1 (Yellow)	000 ⇔ 255	0-100%
30	White 1	000 ⇔ 255	0-100%
31	Red 2 (Cyan)	000 ⇔ 255	0-100%
32	Green 2 (Magenta)	000 ⇔ 255	0-100%
33	Blue 2 (Yellow)	000 ⇔ 255	0-100%
34	White 2	000 ⇔ 255	0-100%
35	Red 3 (Cyan)	000 ⇔ 255	0-100%
36	Green 3 (Magenta)	000 ⇔ 255	0-100%
37	Blue 3 (Yellow)	000 ⇔ 255	0-100%
38	White 3	000 ⇔ 255	0-100%
39	Red 4 (Cyan)	000 ⇔ 255	0-100%
40	Green 4 (Magenta)	000 ⇔ 255	0-100%
41	Blue 4 (Yellow)	000 ⇔ 255	0-100%
42	White 4	000 ⇔ 255	0-100%
43	Red 5 (Cyan)	000 ⇔ 255	0-100%
44	Green 5 (Magenta)	000 ⇔ 255	0-100%
45	Blue 5 (Yellow)	000 ⇔ 255	0-100%

Operation

Channel	Function	Value	Percent/Setting
46	White 5	000 ⇔ 255	0-100%
47	Red 6 (Cyan)	000 ⇔ 255	0-100%
48	Green 6 (Magenta)	000 ⇔ 255	0-100%
49	Blue 6 (Yellow)	000 ⇔ 255	0-100%
50	White 6	000 ⇔ 255	0-100%
51	Red 7 (Cyan)	000 ⇔ 255	0-100%
52	Green 7 (Magenta)	000 ⇔ 255	0-100%
53	Blue 7 (Yellow)	000 ⇔ 255	0-100%
54	White 7	000 ⇔ 255	0-100%
55	Red 8 (Cyan)	000 ⇔ 255	0-100%
56	Green 8 (Magenta)	000 ⇔ 255	0-100%
57	Blue 8 (Yellow)	000 ⇔ 255	0-100%
58	White 8	000 ⇔ 255	0-100%
59	Red 9 (Cyan)	000 ⇔ 255	0-100%
60	Green 9 (Magenta)	000 ⇔ 255	0-100%
61	Blue 9 (Yellow)	000 ⇔ 255	0-100%
62	White 9	000 ⇔ 255	0-100%

21 CH

Channel	Function	Value	Percent/Setting
1	Pan	000 ⇔ 255	0-100%
2	Fine Pan	000 ⇔ 255	Fine control (16-bit)
3	Tilt	000 ⇔ 255	0-100%
4	Fine Tilt	000 ⇔ 255	Fine control (16-bit)
5	Pan/Tilt Speed	000 ⇔ 255	0-100%
6	Dimmer	000 ⇔ 255	0-100%
7	Shutter	000 ⇔ 019 020 ⇔ 024 025 ⇔ 064 065 ⇔ 069 070 ⇔ 084 085 ⇔ 089 090 ⇔ 104 105 ⇔ 109 110 ⇔ 124 125 ⇔ 129 130 ⇔ 144 145 ⇔ 149 150 ⇔ 164 165 ⇔ 169 170 ⇔ 184 185 ⇔ 189 190 ⇔ 204 205 ⇔ 209 210 ⇔ 224 225 ⇔ 229 230 ⇔ 244 245 ⇔ 255	off on strobe 1 with decreasing speed on strobe 2 (fast on slow off) with decreasing speed on strobe 3 (slow on fast off) with decreasing speed on strobe 4 (random strobe) with decreasing speed on strobe 5 (random fast on slow off) with decreasing speed on strobe 6 (random slow on fast off) with decreasing speed on strobe 7 (pulse strobe) with decreasing speed on strobe 8 (random pulse strobe) with decreasing speed on strobe 9 (fade on or off) with decreasing speed on strobe 10 (pulse strobe) with decreasing speed on
8	CTC	000 001 ⇔ 255	No function 2800 to 10,000K

Channel	Function	Value	Percent/Setting				
9	Color	000	No function				
		001 ⇄ 002	2700K	R:156	G: 118	B: 0	W: 63
		003 ⇄ 004	3200K	R:156	G: 141	B: 5	W: 89
		005 ⇄ 006	4200K	R:156	G: 141	B: 14	W: 255
		007 ⇄ 008	5600K	R:156	G: 207	B: 54	W: 255
		009 ⇄ 010	8000K	R:130	G: 255	B: 96	W: 255
		11	Blue	R: 0	G: 0	B: 255	W: 0
		012 ⇄ 048		R: 0	G: +	B: 255	W: 0
		049	Cyan	R: 0	G: 255	B: 255	W: 0
		050 ⇄ 086		R: 0	G: 255	B: -	W: 0
		087	Green	R: 0	G: 255	B: 0	W: 0
		088 ⇄ 124		R: +	G: 255	B: 0	W: 0
		125	Yellow	R: 255	G: 255	B: 0	W: 0
		126 ⇄ 162		R: 255	G: -	B: 0	W: 0
		163	Red	R: 255	G: 0	B: 0	W: 0
		164 ⇄ 200		R: 255	G: 0	B: +	W: 0
		201	Magenta	R: 255	G: 0	B: 255	W: 0
		202 ⇄ 238		R: -	G: 0	B: 255	W: 0
		239	Blue	R: 0	G: 0	B: 255	W: 0
		240 ⇄ 247	Color change, fast to slow				
248 ⇄ 255	Color jump, fast to slow						
10	Gobo	000 ⇄ 003	No function				
		004 ⇄ 006	Gobo 1				
		007 ⇄ 009	Gobo 2				
		010 ⇄ 012	Gobo 3				
		013 ⇄ 015	Gobo 4				
		016 ⇄ 018	Gobo 5				
		019 ⇄ 021	Gobo 6				
		022 ⇄ 024	Gobo 7				
		025 ⇄ 027	Gobo 8				
		028 ⇄ 030	Gobo 9				
		031 ⇄ 033	No Gobo				
		034 ⇄ 036	Gobo 10				
		037 ⇄ 039	Gobo 11				
		040 ⇄ 042	Gobo 12				
		043 ⇄ 045	Gobo 13				
		046 ⇄ 048	Gobo 14				
		049 ⇄ 051	Gobo 15				
		052 ⇄ 054	Gobo 16				
		055 ⇄ 057	Gobo 17				
		058 ⇄ 060	Gobo 18				
		061 ⇄ 063	Gobo 19				
		064 ⇄ 066	Gobo 20				
		067 ⇄ 069	Gobo 21				
		070 ⇄ 072	Gobo 22				
		073 ⇄ 075	Gobo 23				
		076 ⇄ 078	Gobo 24				
		079 ⇄ 081	Gobo 25				
		082 ⇄ 084	Gobo 26				
		085 ⇄ 087	Gobo 27				
		088 ⇄ 090	Gobo 28				
		091 ⇄ 093	Gobo 29				
		094 ⇄ 096	Gobo 30				
		097 ⇄ 099	Gobo 31				
		100 ⇄ 102	Gobo 32				
		103 ⇄ 105	Gobo 33				
		106 ⇄ 108	Gobo 34				
		109 ⇄ 111	Gobo 35				
		112 ⇄ 114	Gobo 36				
		115 ⇄ 117	Gobo 37				
		118 ⇄ 120	Gobo 38				
121 ⇄ 123	Gobo 39						
124 ⇄ 126	Gobo 40						

Operation

Channel	Function	Value	Percent/Setting
		127 ⇄ 129	Gobo 41
		130 ⇄ 132	Gobo 42
		133 ⇄ 135	Gobo 43
		136 ⇄ 138	Gobo 44
		139 ⇄ 141	Gobo 45
		142 ⇄ 144	Gobo 46
		145 ⇄ 147	Gobo 47
		148 ⇄ 150	Gobo 48
		151 ⇄ 153	Gobo 49
		154 ⇄ 156	Gobo 50
		157 ⇄ 159	Gobo 51
		160 ⇄ 162	Gobo 52
		163 ⇄ 165	Gobo 53
		166 ⇄ 168	Gobo 54
		169 ⇄ 171	Gobo 55
		172 ⇄ 174	Gobo 56
		175 ⇄ 177	Gobo 57
		178 ⇄ 180	Gobo 58
		181 ⇄ 183	Gobo 59
		184 ⇄ 186	Gobo 60
		187 ⇄ 189	Gobo 61
		190 ⇄ 192	Gobo 62
		193 ⇄ 195	Gobo 63
		196 ⇄ 198	Gobo 64
		199 ⇄ 201	Gobo 65
		202 ⇄ 204	Gobo 66
		205 ⇄ 207	Gobo 67
		208 ⇄ 210	Gobo 68
		211 ⇄ 213	Gobo 69
		214 ⇄ 216	Gobo 70
		217 ⇄ 219	Gobo 71
		220 ⇄ 222	Gobo 72
		223 ⇄ 225	Gobo 73
		226 ⇄ 228	Gobo 74
		229 ⇄ 231	Gobo 75
		232 ⇄ 234	Gobo 76
		235 ⇄ 237	Gobo 77
		238 ⇄ 240	Gobo 78
		241 ⇄ 243	Gobo 79
		244 ⇄ 246	Gobo 80
		247 ⇄ 249	Gobo 81
		250 ⇄ 252	Gobo 82
		253 ⇄ 255	Gobo 83
10 (cont.)	Gobo (cont.)		

Channel	Function	Value	Percent/Setting
11	LED Built-in	001 ⇄ 015	No function
		016 ⇄ 017	Built-in 1
		018 ⇄ 019	Built-in 2
		020 ⇄ 021	Built-in 3
		022 ⇄ 023	Built-in 4
		024 ⇄ 025	Built-in 5
		026 ⇄ 027	Built-in 6
		028 ⇄ 029	Built-in 7
		030 ⇄ 031	Built-in 8
		032 ⇄ 033	Built-in 9
		034 ⇄ 035	Built-in 10
		036 ⇄ 037	Built-in 11
		038 ⇄ 039	Built-in 12
		040 ⇄ 041	Built-in 13
		042 ⇄ 043	Built-in 14
		044 ⇄ 045	Built-in 15
		046 ⇄ 047	Built-in 16
		048 ⇄ 049	Built-in 17
		050 ⇄ 051	Built-in 18
		052 ⇄ 053	Built-in 19
		054 ⇄ 055	Built-in 20
		056 ⇄ 057	Built-in 21
		058 ⇄ 059	Built-in 22
		060 ⇄ 061	Built-in 23
		062 ⇄ 063	Built-in 24
		064 ⇄ 065	Built-in 25
		066 ⇄ 067	Built-in 26
		068 ⇄ 069	Built-in 27
		070 ⇄ 071	Built-in 28
		072 ⇄ 073	Built-in 29
		074 ⇄ 075	Built-in 30
		076 ⇄ 077	Built-in 31
		078 ⇄ 079	Built-in 32
		080 ⇄ 081	Built-in 33
		082 ⇄ 083	Built-in 34
		084 ⇄ 085	Built-in 35
		086 ⇄ 087	Built-in 36
		088 ⇄ 089	Built-in 37
		090 ⇄ 091	Built-in 38
		092 ⇄ 093	Built-in 39
		094 ⇄ 095	Built-in 40
		096 ⇄ 097	Built-in 41
		098 ⇄ 099	Built-in 42
		100 ⇄ 101	Built-in 43
		102 ⇄ 103	Built-in 44
		104 ⇄ 105	Built-in 45
		106 ⇄ 107	Built-in 46
		108 ⇄ 109	Built-in 47
		110 ⇄ 111	Built-in 48
		112 ⇄ 113	Built-in 49
114 ⇄ 115	Built-in 50		

Channel	Function	Value	Percent/Setting
11 (cont.)	LED Built-in (cont.)	116 ⇄ 117	Built-in 51
		118 ⇄ 119	Built-in 52
		120 ⇄ 121	Built-in 53
		122 ⇄ 123	Built-in 54
		124 ⇄ 125	Built-in 55
		126 ⇄ 127	Built-in 56
		128 ⇄ 135	Built-in 57
		136 ⇄ 137	Built-in 58
		138 ⇄ 139	Built-in 59
		140 ⇄ 141	Built-in 60
		142 ⇄ 143	Built-in 61
		144 ⇄ 145	Built-in 62
		146 ⇄ 147	Built-in 63
		148 ⇄ 149	Built-in 64
		150 ⇄ 151	Built-in 65
		152 ⇄ 153	Built-in 66
		154 ⇄ 155	Built-in 67
		156 ⇄ 157	Built-in 68
		158 ⇄ 159	Built-in 69
		160 ⇄ 161	Built-in 70
		162 ⇄ 163	Built-in 71
		164 ⇄ 165	Built-in 72
		166 ⇄ 167	Built-in 73
		168 ⇄ 169	Built-in 74
		170 ⇄ 171	Built-in 75
		172 ⇄ 173	Built-in 76
		174 ⇄ 175	Built-in 77
		176 ⇄ 177	Built-in 78
		178 ⇄ 179	Built-in 79
		180 ⇄ 181	Built-in 80
		182 ⇄ 183	Built-in 81
		184 ⇄ 185	Built-in 82
		186 ⇄ 187	Built-in 83
188 ⇄ 189	Built-in 84		
190 ⇄ 191	Built-in 85		
192 ⇄ 193	Built-in 86		
194 ⇄ 195	Built-in 87		
196 ⇄ 197	Built-in 88		
198 ⇄ 199	Built-in 89		
200 ⇄ 201	Built-in 90		
202 ⇄ 203	Built-in 91		
204 ⇄ 205	Built-in 92		
206 ⇄ 207	Built-in 93		
208 ⇄ 209	Built-in 94		
210 ⇄ 211	Built-in 95		
212 ⇄ 213	Built-in 96		
214 ⇄ 215	Built-in 97		
216 ⇄ 217	Built-in 98		
218 ⇄ 219	Built-in 99		
220 ⇄ 221	Built-in 100		

Channel	Function	Value	Percent/Setting
11 (cont.)	LED Built-in (cont.)	222 ⇄ 223	Built-in 101
		224 ⇄ 225	Built-in 102
		226 ⇄ 227	Built-in 103
		228 ⇄ 229	Built-in 104
		230 ⇄ 231	Built-in 105
		232 ⇄ 233	Built-in 106
		234 ⇄ 235	Built-in 107
		236 ⇄ 237	Built-in 108
		238 ⇄ 239	Built-in 109
		240 ⇄ 241	Built-in 110
		242 ⇄ 243	Built-in 111
		244 ⇄ 245	Built-in 112
		246 ⇄ 247	Built-in 113
		248 ⇄ 255	Built-in 114
12	LED Built-in Speed	001 ⇄ 127	Clockwise fast to slow
		128	Stop
		128 ⇄ 255	Counter-clockwise slow to fast
13	LED Built-in Delay	000 ⇄ 255	Fast to slow
14	Background Color Macros	000	No function
		001 ⇄ 002	2700K R:156 G: 118 B: 0 W: 63
		003 ⇄ 004	3200K R:156 G: 141 B: 5 W: 89
		005 ⇄ 006	4200K R:156 G: 141 B: 14 W: 255
		007 ⇄ 008	5600K R:156 G: 207 B: 54 W: 255
		009 ⇄ 010	8000K R:130 G: 255 B: 96 W: 255
		11	Blue R: 0 G: 0 B: 255 W: 0
		012 ⇄ 048	R: 0 G: + B: 255 W: 0
		049	Cyan R: 0 G: 255 B: 255 W: 0
		050 ⇄ 086	R: 0 G: 255 B: - W: 0
		087	Green R: 0 G: 255 B: 0 W: 0
		088 ⇄ 124	R: + G: 255 B: 0 W: 0
		125	Yellow R: 255 G: 255 B: 0 W: 0
		126 ⇄ 162	R: 255 G: - B: 0 W: 0
		163	Red R: 255 G: 0 B: 0 W: 0
		164 ⇄ 200	R: 255 G: 0 B: + W: 0
		201	Magenta R: 255 G: 0 B: 255 W: 0
		202 ⇄ 238	R: - G: 0 B: 255 W: 0
		239	Blue R: 0 G: 0 B: 255 W: 0
		240 ⇄ 247	Color change, fast to slow
248 ⇄ 255	Color jump, fast to slow		
15	Background Color Dimmer	000 ⇄ 255	0-100%
16	Zoom	000 ⇄ 255	0-100%

Operation



Channel	Function	Value	Percent/Setting
17	Control	000 ⇄ 009	No function
		010 ⇄ 014	Pan/Tilt blackout
		015 ⇄ 019	No function
		020 ⇄ 024	RGBW color mixing (5 sec.)
		025 ⇄ 029	CMY color mixing (5 sec.)
		030 ⇄ 034	No function
		035 ⇄ 039	No function
		040 ⇄ 044	No function
		045 ⇄ 049	No function
		050 ⇄ 054	Pan reset
		055 ⇄ 059	Tilt reset
		060 ⇄ 064	Zoom reset
		065 ⇄ 069	No function
		070 ⇄ 074	All reset
		075 ⇄ 079	No function
		080 ⇄ 084	Pan/Tilt reverse
		085 ⇄ 089	Pan reverse
		090 ⇄ 094	Tilt reverse
		095 ⇄ 099	Cancel pan reverse
		100 ⇄ 104	Cancel tilt reverse
		105 ⇄ 109	Cancel pan/tilt reverse
		110 ⇄ 114	No function
		115 ⇄ 119	No function
		120 ⇄ 124	Fan low speed
125 ⇄ 129	Fan full speed		
130 ⇄ 134	Fan auto		
135 ⇄ 139	Dimmer Fast mode		
140 ⇄ 144	Dimmer Smooth mode		
145 ⇄ 149	Linear curve		
150 ⇄ 154	Square curve		
155 ⇄ 159	I Squa curve		
160 ⇄ 164	Scurve		
165 ⇄ 169	White mode on		
170 ⇄ 174	White mode off		
175 ⇄ 255	No function		
18	Red (Cyan)	000 ⇄ 255	0-100%
19	Green (Magenta)	000 ⇄ 255	0-100%
20	Blue (Yellow)	000 ⇄ 255	0-100%
21	White	000 ⇄ 255	0-100%

Configuration (Settings)

Pan Reverse

To set the orientation of the pan:

1. Go to the **Setup** main level.
2. Select the **Pan Reverse** option.
3. Select from **OFF** (normal pan motion), or **ON** (reversed pan motion).

Tilt Reverse

To set the orientation of the tilt:

1. Go to the **Setup** main level.
2. Select the **Tilt Reverse** option.
3. Select from **OFF** (normal tilt motion), or **ON** (reversed tilt motion).

Pan Angle

To set the maximum angle of the pan:

1. Go to the **Setup** main level.
2. Select the **Pan Angle** option.
3. Select from **540** (540°), **360** (360°), or **180** (180°).

Tilt Angle

To set the maximum angle of the tilt:

1. Go to the **Setup** main level.
2. Select the **Tilt Angle** option.
3. Select from **230** (230°), **180** (180°), or **90** (90°).

Fan Mode

To set the fan speed mode:

1. Go to the **Setup** main level.
2. Select the **Fans** option.
3. Select the fan mode, from **Auto** (fan speed adjusts to product temperature), **ECO** (quiet mode), or **Full** (fan speed at maximum).

Display Backlight

To set whether an inactive display will turn off:

1. Go to the **Setup** main level.
2. Select the **Display** option.
3. Select **OFF** (turns off when inactive) or **ON** (always on).

Screen Reverse

To set the orientation of the display:

1. Go to the **Setup** main level.
2. Select the **Screen Rev** option.
3. Select from **OFF** (right-side up) or **ON** (upside-down).

Color Mixing Mode

The Rogue R3X Wash has a mode that emulates CMY (cyan, magenta, and yellow) color mixing. In this mode, the dimming is reversed (000=100%, 255=0%), and the red, green, and blue channels control cyan, magenta, and yellow, respectively.

To set the color mixing mode:

1. Go to the **Setup** main level.
2. Select the **C Mixing Mode** option.
3. Select from **RGBW** (additive mode: red, green, blue, and white), or **CMY** (subtractive mode: red controls cyan, green controls magenta, blue controls yellow).

Dimmer Curve

To set the dimmer curve:

1. Go to the **Setup** main level.
2. Select the **Dimmer Curve** option.
3. Select the dimmer curve, from **Linear**, **Square**, **I Squa**, or **SCurve**.

Dimmer Speed

To set the dimmer speed mode:

1. Go to the **Setup** main level.
2. Select the **Dimmer Speed** option.
3. Select the dimmer curve, from **Smooth** or **Fast**.

Operation

Pulse-Width Modulation Options

To set the PWM frequency:

1. Go to the **Setup** main level.
2. Select the **PWM Option** option.
3. Select the frequency, from **600Hz**, **1200Hz**, **2000Hz**, **4000Hz**, **6000Hz**, or **15000Hz**.

Color Calibration

To alter the color calibration settings:

1. Go to the **Setup** main level.
2. Select the **Color Calibration** option.
3. Select the calibration mode, from **On** (Uses factory default settings), **Off** (Sets all colors to maximum output), or **Custom** (To set a custom white balance).
4. If **Custom** was selected, then select which color to edit, from **RED**, **GREEN**, or **BLUE**.
5. Increase or decrease the maximum output level of the selected color, from **100–255**.

White Mode

To turn the White Mode on or off, or edit the balance of the White Mode:

1. Go to the **Setup** main level.
2. Select the **White Mode** option.
3. Select **On** (to calibrate the color temperature to 7500K), **Off** (to sets all colors to maximum output), or **Custom** (to customize the White Mode).
4. If **Custom** was selected, then select which color to edit, from **RED**, **GREEN**, **BLUE**, or **WHITE**.
5. Increase or decrease the maximum output level of the selected color, from **000–255**.

Reset Function

To reset specific functions or the entire product:

1. Go to the **Setup** main level.
2. Select the **Reset Function** option.
3. Select the functions to reset, from **Pan/Tilt**, **Zoom**, or **All**.
4. Select **NO** (to cancel) or **YES** (to reset the selected functions).

Factory Reset

To reset the product to factory settings:

1. Go to the **Setup** main level.
2. Select the **Factory Set** option.

Test Mode

Auto Test

To have the Rogue R3X Wash automatically test all functions one after the other:

1. Go to the **Running Mode** main level.
2. Select the **Auto Test** option.

Manual Test

To manually test an individual function of the Rogue R3X Wash:

1. Go to the **Run Mode** main level.
2. Select the **Manual Test** option.
3. Select a function to test, from **Pan**, **Tilt**, **P/T Speed**, **Red**, **Green**, **Blue**, **White**, **CTC**, **Color**, **Pattern**, **LED Macro**, **LED Ma. Speed**, **LED Ma. Fade**, **Background**, **Background Dim.**, **Dimmer**, **Shutter**, or **Zoom**.
4. Increase or decrease the value of the selected function from **000–255** to test it.

System Information

The information section of the menu displays statistics and the current status of the product's various functions. To view these information sections:

1. Go to the **Sys Info** main level.
2. Select the **System Information** option.

Offset Mode (Zero Adjust)

The Offset mode provides fine adjustments for the home position of every moving part in the optical path as well as the pan and tilt movements. To adjust these options and prevent borders showing or reduction of the light output:

1. From the main level screen, press and hold **<MENU>** until the passcode screen appears.
2. Enter the passcode: **2323** and press **<ENTER>**.
3. Select the "zero" position to adjust, from **PAN**, **TILT**, or **ZOOM**.
4. Adjust the "zero" position for the selected function from **000–255**.

5. Maintenance

Product Maintenance

Dust build-up reduces light output performance and can cause overheating. This can lead to reduction of the light source's life and/or mechanical wear. To maintain optimum performance and minimize wear, clean your lighting products at least twice a month. However, be aware that usage and environmental conditions could be contributing factors to increase the cleaning frequency.

To clean the product, follow the instructions below:

1. Unplug the product from power.
2. Wait until the product is at room temperature.
3. Use a vacuum (or dry compressed air) and a soft brush to remove dust collected on the external surface/vents.
4. Clean all transparent surfaces with a mild soap solution or ammonia-free glass cleaner.
5. Apply the solution directly to a soft, lint free cotton cloth or a lens cleaning tissue.
6. Softly drag any dirt or grime to the outside of the transparent surface.
7. Gently polish the transparent surfaces until they are free of haze and lint.



Always dry the transparent surfaces carefully after cleaning them.



Do not spin the cooling fans with compressed air. Damage may result.

Technical Specifications

6. Technical Specifications

Dimensions and Weight

Length	Width	Height	Weight
15.51 in (394 mm)	11.73 in (298 mm)	18.50 in (470 mm)	38.5 lb (17.5 kg)

Note: Dimensions in inches are rounded.

Power

Power Supply Type	Range	Voltage Selection
Switching (internal)	100 to 240 VAC, 50/60 Hz	Auto-ranging

Parameter	120 V, 60 Hz	208 V, 60 Hz	230 V, 50 Hz
Consumption	650 W	687 W	692 W
Operating Current	5.38 A	3.05 A	2.94 A
Power linking current (products)	13.6 A (2 products)	13.6 A (4 products)	13.6 A (4 products)
Fuse/Breaker	F 5 A, 250 V	F 5 A, 250 V	F 5 A, 250 V

Power I/O	U.S./Worldwide	UK/Europe
Power Input Connector	Neutrik® powerCON® A	Neutrik® powerCON® A
Power Output Connector	Neutrik® powerCON® B	Neutrik® powerCON® B
Power Cord plug	Edison (U.S.)	Local Plug

Light Source

Type	Color	Quantity	Power	Current	Lifespan
LED	Quad-color RGBW	37	25 W	1.5 A	50,000 hours

Photometrics

Beam Angle	Field Angle	Zoom Angle
8° to 30°	12° to 49°	12° to 49°
Illuminance @ 5 m (12°)	Illuminance @ 5 m (49°)	Color Temperature Range
19,000 lux	1730 lux	2800 to 10000 K

Thermal

Maximum External Temperature	Cooling System
113 °F (45 °C)	Fan-assisted Convection

DMX

I/O Connector	Channel Range
3 and 5-pin XLR	21, 62, 71, or 107

Ordering

Product Name	Item Name	Item Code	UPC Number
Rogue R3X Wash	ROGUER3XWASH	08011592	781462219406



UL 1573
CSA C22.2 No. 166
E113093



RoHS



Returns

Send the product prepaid, in the original box, and with the original packing and accessories. Chauvet will not issue call tags.

Call Chauvet and request a Return Merchandise Authorization (RMA) number before shipping the product. Be prepared to provide the model number, serial number, and a brief description of the cause(s) for the return.

To submit a service request online, go to www.chauvetprofessional.com/service-request.

Clearly label the package with an RMA number. Chauvet will refuse any product returned without an RMA number.



Write the RMA number on a properly affixed label. DO NOT write the RMA number directly on the box.

Before sending the product, clearly write the following information on a piece of paper and place it inside the box:

- Your name
- Your address
- Your phone number
- RMA number
- A brief description of the problem

Be sure to pack the product properly. Any shipping damage resulting from inadequate packaging will be your responsibility. FedEx packing or double-boxing are recommended.



Chauvet reserves the right to use its own discretion to repair or replace returned product(s).

Contact Us

General Information	Technical Support
Chauvet World Headquarters	
Address: 5200 NW 108th Ave. Sunrise, FL 33351 Voice: (954) 577-4455 Fax: (954) 929-5560 Toll Free: (800) 762-1084	Voice: (844) 393-7575 Fax: (954) 756-8015 Email: chauvetcs@chauvetlighting.com Website: www.chauvetprofessional.com
Chauvet Europe Ltd	
Address: Unit 1C Brookhill Road Industrial Estate Pinxton, Nottingham, UK NG16 6NT Voice: +44 (0) 1773 511115 Fax: +44 (0) 1773 511110	Email: UKtech@chauvetlighting.eu Website: www.chauvetprofessional.eu
Chauvet Europe BVBA	
Address: Stokstraat 18 9770 Kruishoutem Belgium Voice: +32 9 388 93 97	Email: BNLtech@chauvetlighting.eu Website: www.chauvetprofessional.eu
Chauvet France	
Address: 3, Rue Ampère 91380 Chilly-Mazarin France Voice: +33 1 78 85 33 59	Email: FRtech@chauvetlighting.fr Website: www.chauvetprofessional.eu
Chauvet Germany	
Address: Bruno-Bürgerl-Str. 11 28759 Bremen Germany Voice: +49 421 62 60 20	Email: DEtech@chauvetlighting.de Website: www.chauvetprofessional.eu
Chauvet Mexico	
Address: Av. de las Partidas 34 - 3B (Entrance by Calle 2) Zona Industrial Lerma Lerma, Edo. de México, CP 52000 Voice: +52 (728) 690-2010	Email: servicio@chauvet.com.mx Website: www.chauvetprofessional.mx

Visit the applicable website above to verify our contact information and instructions to request support. Outside the US, United Kingdom, Ireland, Benelux, France, Germany, or Mexico, contact the dealer of record.