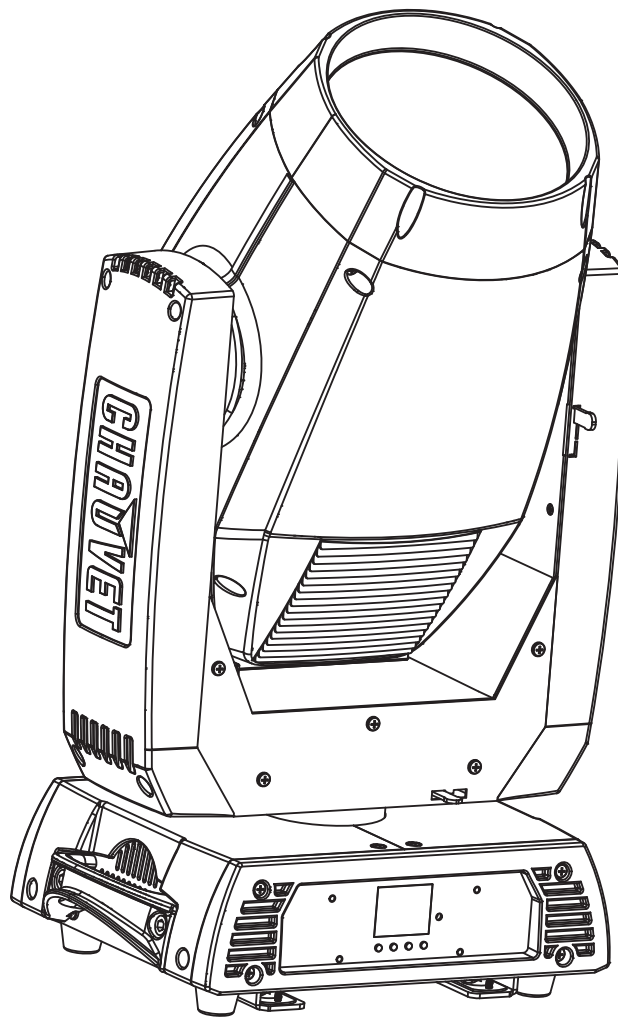


ROGUE



Quick Reference Guide

English	EN
Español	ES
Français	FR
Deutsch	DE
Nederlands	NL



Model ID: ROGUER3BEAM

The Chauvet Professional logo, consisting of a stylized, downward-pointing triangle above the word 'CHAUVET' in a large, bold, sans-serif font, with the word 'PROFESSIONAL' in a smaller, bold, sans-serif font below it.

CHAUVET
PROFESSIONAL

About This Guide

The Rogue R3 Beam Quick Reference Guide (QRG) has basic product information such as connection, mounting, menu options, and DMX values. Download the User Manual from www.chauvetprofessional.com for more details.

Disclaimer

The information and specifications contained in this QRG are subject to change without notice.

LIMITED WARRANTY

FOR WARRANTY REGISTRATION AND COMPLETE TERMS AND CONDITIONS PLEASE VISIT OUR WEBSITE.

For Customers in the United States and Mexico: www.chauvetlighting.com/warranty-registration.

For Customers in the United Kingdom, Republic of Ireland, Belgium, the Netherlands, Luxembourg, France, and Germany: www.chauvetlighting.eu/warranty-registration.

Chauvet warrants that this product shall be free from defects in material and workmanship under normal use, for the period specified in, and subject to the exclusions and limitations set forth in the full limited warranty on our website. This warranty extends only to the original purchaser of the product and is not transferable. To exercise rights under this warranty, you must provide proof of purchase in the form of an original sales receipt from an authorized dealer that shows the product name and date of purchase. THERE ARE NO OTHER EXPRESS OR IMPLIED WARRANTIES. This warranty gives you specific legal rights. You may also have other rights that vary from state to state and country to country. This warranty is valid only in the United States, United Kingdom, Republic of Ireland, Belgium, the Netherlands, Luxembourg, France, Germany, and Mexico. For warranty terms in other countries, please consult your local distributor.

Safety Notes

These Safety Notes include important information about installation, use, and maintenance.

- DO NOT open this product. It contains no user-serviceable parts.
- DO NOT look at the light source when the product is on.
- DO NOT leave any flammable material within 8 in (20 cm) of this product while operating or connected to power.
- DO NOT operate this product if the housing, lenses, or cables appear damaged.
- DO NOT connect this product to a dimmer or rheostat.
- DO NOT operate this product outdoors or in any location where dust, excessive heat, water, or humidity may affect it (IP20).
- CAUTION: When transferring product from extreme temperature environments, (e.g., cold truck to warm humid ballroom) condensation may form on the internal electronics of the product. To avoid causing a failure, allow product to fully acclimate to the surrounding environment before connecting it to power.
- CAUTION: This product's housing may be hot when lights are operating.
- USE a safety cable when mounting this product overhead.
- ONLY connect this product to a grounded and protected circuit.
- ONLY use the hanging/mounting bracket or the handles to carry this product. Do not carry by the moving head.
- Mount this product in a location with adequate ventilation, at least 20 in (50 cm) from adjacent surfaces.
- To eliminate unnecessary wear and improve its lifespan, during periods of non-use completely disconnect the product from power via breaker or by unplugging it.
- In the event of a serious operating problem, stop using immediately.
- The maximum ambient temperature is 113 °F (45 °C). Do not operate this product at higher temperatures.
- The luminaire should be positioned so that prolonged staring into the luminaire at a distance closer than 26.2 ft (8 m) is not expected.
- If the external flexible cable or cord of this luminaire is damaged, it shall be replaced with a special cable or cord exclusively available from the manufacturer or its service agent.
- The light source contained in this luminaire shall only be replaced by the manufacturer, its service agent, or a similarly qualified person.
- The luminaire is intended for professional use only.

FCC Compliance

This device complies with Part 15 Part B of the FCC Rules. Operation is subject to the following two conditions:

1. This device may not cause harmful interference, and
2. This device must accept any interference received, including interference that may cause undesired operation.

Any changes or modifications not expressly approved by the party responsible for compliance could void the user's authority to operate the equipment.

Contact

Outside the U.S., U.K., Ireland, Benelux, France, Germany, or Mexico, contact your distributor to request support or return a product. Refer to [Contact Us](#) at the end of this QRG for contact information.

What is Included

- Rogue R3 Beam
- Neutrik® powerCON® power cord
- 2 Omega brackets with mounting hardware
- Quick Reference Guide

AC Power

This product has an auto-ranging power supply that can work with an input voltage range of 100–240 VAC, 50/60 Hz.

Power Linking

It is possible to link up to 3 Rogue R3 Beam products at 120 V, 6 products at 208 V, or 7 products at 230 V. Never exceed this number. Power-linking cords can be purchased separately from Chauvet.

AC Plug

Connection	Wire (U.S.)	Wire (Europe)	Screw Color
AC Live	Black	Brown	Yellow/Brass
AC Neutral	White	Blue	Silver
AC Ground	Green/Yellow	Green/Yellow	Green



To eliminate unnecessary wear and improve its lifespan, during periods of non-use completely disconnect the product from power via breaker or by unplugging it.

Replacing the Fuse

1. Disconnect the product from power.
2. Using a flat-head screwdriver, unscrew the fuse holder cap from the housing.
3. Remove blown fuse and replace with a good fuse of the same type and rating.
4. Screw the fuse holder cap back in place and reconnect power.

DMX Linking

The Rogue R3 Beam will work with a DMX controller using a 3- or 5-pin DMX serial connection. A DMX Primer is available at www.chauvetprofessional.com.

DMX Connection

The Rogue R3 Beam uses a 3- or 5-pin DMX data connection for its DMX personalities: **16CH** and **19CH**. See the User Manual for information about connecting and configuring the product for DMX operation.

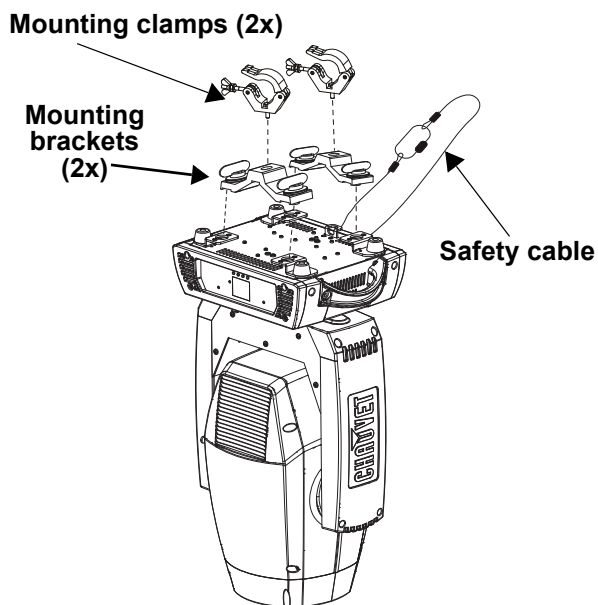
RDM (Remote Device Management)

Remote Device Management, or RDM, is a standard for allowing DMX-enabled devices to communicate bi-directionally along existing DMX cabling. Check the DMX controller's User Manual or with the manufacturer, as not all DMX controllers have this capability. The Rogue R3 Beam supports RDM protocol that allows feedback to make changes to menu map options. Download the User Manual from www.chauvetprofessional.com for more details.

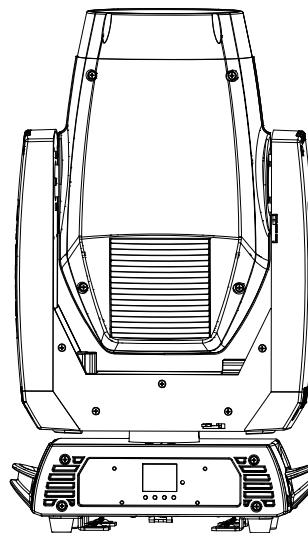
Mounting

Before mounting this product, read the [Safety Notes](#). Use at least one mounting point per product. Make sure the mounting clamps are capable of supporting the weight of the product. For our Chauvet line of mounting clamps, go to <http://trusst.com/productcategory/truss-clamps/>.

Mounting Diagram



Overhead Mounting



Floor Mounting

Control Panel Description

Button	Function
<MENU>	Exits from the current menu or function
<ENTER>	Enables the currently displayed menu or sets the currently selected value into the selected function
<UP>	Navigates upwards through the menu list and increases the numeric value when in a function
<DOWN>	Navigates downwards through the menu list and decreases the numeric value when in a function

Menu Map

Refer for the Rogue R3 Beam product page on www.chauvetprofessional.com for the latest menu map.

Main Level	Programming Levels		Description	
Address	001–512		Sets the starting address	
Run Mode	DMX	16CH	Selects the DMX personality	
		19CH		
	Auto Test		Auto test all functions	
	Manual Test	Pan	000–255	Manually control and test all settings through the control panel
		Pan Fine		
		Tilt		
		Tilt Fine		
		P/T Speed		
		Dimmer		
		Dimmer Fine		
		Shutter		
		Color		
		Gobo		
		Prism1		
		Prism1 Rot		
		Prism2		
		Prism2 Rot		
		Frost		
Focus				
P/T Macro				
P/T Ma. Speed				
Special Function				
Setup	Pan Reverse	NO	Normal pan	
		YES	Reversed pan	
	Tilt Reverse	NO	Normal tilt	
		YES	Reversed tilt	
	Screen Reverse	NO	Normal screen display	
		YES	Inverted screen display	
	Pan Angle	540	540° pan range	
		360	360° pan range	
		180	180° pan range	
	Tilt Angle	270	270° tilt range	
		180	180° tilt range	
		90	90° tilt range	
BL. O. P/T Move	YES	Blackout while panning/tilting		
	NO	Do not blackout while panning/tilting		
BL. O. Color Move	YES	Blackout while color wheel is moving		
	NO	Do not blackout while color wheel is moving		
BL. O. Gobo Move	YES	Blackout while gobo wheels are moving		
	NO	Do not blackout while gobo wheels are moving		

Main Level	Programming Levels		Description	
Setup (cont.)	Lamp Settings	On/Off	ON OFF	Turns lamp on/off
		State/ Power On	ON OFF	Defines the status of lamp when powering up product
		Off via DMX	YES NO	Turns off the unit via DMX controller
		On if DMX On	YES NO	Turns lamp on when DMX signal is detected
		Off if DMX Off	YES NO	Turns lamp off when DMX signal is lost
		Ignition Delay	000–255	Selects duration of delay between product power on and lamp power on
		Low Power Delay	000–255	Selects the duration of delay when shutter is closed and lamp enters lower power state
		Reset Lamp Time	YES NO	Resets lamp timer to 0 Leaves lamp time unchanged
	Maintenance Timer	Interval	000–250	Defines amount of hours between maintenance
		Remaining Time	NO	Shows amount of time remaining in maintenance cycle
			RESET	Resets the time back to the beginning
	Reset Function	Pan/Tilt	YES/NO	Reset individual functions or all functions from start-up
		Shutter/ Prism		
		Color		
		Gobo		
		Frost/ Focus		
	Factory Settings	YES		Reset to factory default settings
		NO		
Sys Info	System Information	Ver	V_	Shows firmware version
		Running Mode	---	Shows current running mode
		DMX Address	---	Shows current DMX address
		Temperature	---	Displays the product's temperature in °C
		Lamp On Time	----	Displays the amount of time the lamp has been on (provided the counter has been reset upon installation of new lamp)
		Remain Time	-----	Shows amount of time remaining in maintenance cycle
		UID	-----	Shows product UID
		Fan1 Speed	-----	Shows speed of Fan 1
		Fan2 Speed	-----	Shows speed of Fan 2

DMX Values

19CH

Channel	Function	Value	Percent/Setting
1	Pan	000 ⇄ 255	0–100%
2	Pan fine	000 ⇄ 255	Fine control (16-bit)
3	Tilt	000 ⇄ 255	0–100%
4	Tilt fine	000 ⇄ 255	Fine control (16-bit)
5	Pan/tilt speed	000 ⇄ 255	Fast to slow
6	Dimmer	000 ⇄ 255	0–100%
7	Dimmer fine	000 ⇄ 255	Fine control (16-bit)
8	Strobe	000 ⇄ 007	Closed
		008 ⇄ 015	Open
		016 ⇄ 131	Synchronized strobe, slow to fast
		132 ⇄ 167	Fast close, slow open (slow to fast)
		168 ⇄ 203	Slow close, fast open (slow to fast)
		204 ⇄ 239	Pulse strobe, slow to fast
		240 ⇄ 247	Random strobe, slow to fast
		248 ⇄ 255	Open
9	Color wheel	000 ⇄ 004	Open
		005 ⇄ 008	Red
		009 ⇄ 012	Orange
		013 ⇄ 016	Cyan
		017 ⇄ 020	Light green
		021 ⇄ 024	Light yellow
		025 ⇄ 028	Lavender
		029 ⇄ 032	Pink
		033 ⇄ 036	Yellow
		037 ⇄ 040	Magenta
		041 ⇄ 044	Light blue
		045 ⇄ 048	Amber
		049 ⇄ 052	CTO 5600K
		053 ⇄ 056	CTO 6500K
		057 ⇄ 060	UV
		061 ⇄ 127	Split colors
		128 ⇄ 189	Clockwise color scroll, fast to slow
		190 ⇄ 193	Stop
194 ⇄ 255	Counterclockwise color scroll, slow to fast		

Channel	Function	Value	Percent/Setting
10	Static gobo wheel	000 ⇔ 003	Open
		004 ⇔ 006	Gobo 1
		007 ⇔ 009	Gobo 2
		010 ⇔ 012	Gobo 3
		013 ⇔ 015	Gobo 4
		016 ⇔ 018	Gobo 5
		019 ⇔ 021	Gobo 6
		022 ⇔ 024	Gobo 7
		025 ⇔ 027	Gobo 8
		028 ⇔ 030	Gobo 9
		031 ⇔ 033	Gobo 10
		034 ⇔ 036	Gobo 11
		037 ⇔ 039	Gobo 12
		040 ⇔ 042	Gobo 13
		043 ⇔ 045	Gobo 14
		046 ⇔ 048	Gobo 15
		049 ⇔ 051	Gobo 16
		052 ⇔ 055	Gobo 17
		056 ⇔ 059	Open
		060 ⇔ 063	Gobo 1 shaking, slow to fast
		064 ⇔ 067	Gobo 2 shaking, slow to fast
		068 ⇔ 071	Gobo 3 shaking, slow to fast
		072 ⇔ 075	Gobo 4 shaking, slow to fast
		076 ⇔ 079	Gobo 5 shaking, slow to fast
		080 ⇔ 083	Gobo 6 shaking, slow to fast
		084 ⇔ 087	Gobo 7 shaking, slow to fast
		088 ⇔ 091	Gobo 8 shaking, slow to fast
		092 ⇔ 095	Gobo 9 shaking, slow to fast
		096 ⇔ 099	Gobo 10 shaking, slow to fast
		100 ⇔ 103	Gobo 11 shaking, slow to fast
		104 ⇔ 107	Gobo 12 shaking, slow to fast
		108 ⇔ 111	Gobo 13 shaking, slow to fast
		112 ⇔ 115	Gobo 14 shaking, slow to fast
116 ⇔ 119	Gobo 15 shaking, slow to fast		
120 ⇔ 123	Gobo 16 shaking, slow to fast		
124 ⇔ 127	Gobo 17 shaking, slow to fast		
128 ⇔ 189	Clockwise gobo scroll, fast to slow		
190 ⇔ 193	Stop		
194 ⇔ 255	Counterclockwise gobo scroll, slow to fast		
11	Prism 1	000 ⇔ 004	No function
		005 ⇔ 255	Prism index
12	Prism 1 rotation	000 ⇔ 127	Prism index
		128 ⇔ 189	Clockwise rotation, fast to slow
		190 ⇔ 193	Stop
		194 ⇔ 255	Counterclockwise rotation, slow to fast
13	Prism 2	000 ⇔ 004	No function
		005 ⇔ 255	Prism index
14	Prism 2 rotation	000 ⇔ 127	Prism index
		128 ⇔ 189	Clockwise rotation, fast to slow
		190 ⇔ 193	Stop
		194 ⇔ 255	Counterclockwise rotation, slow to fast
15	Frost	000 ⇔ 255	0–100%
16	Focus	000 ⇔ 255	0–100%

Channel	Function	Value	Percent/Setting
17	Movement macros	000 ⇔ 007	No function
		008 ⇔ 015	Effect 1
		016 ⇔ 023	Effect 2
		024 ⇔ 031	Effect 3
		032 ⇔ 039	Effect 4
		040 ⇔ 047	Effect 5
		048 ⇔ 055	Effect 6
		056 ⇔ 063	Effect 7
		064 ⇔ 071	Effect 8
		072 ⇔ 079	Effect 9
		080 ⇔ 087	Effect 10
		088 ⇔ 095	Effect 11
		096 ⇔ 103	Effect 12
		104 ⇔ 111	Effect 13
		112 ⇔ 119	Effect 14
		120 ⇔ 127	Effect 15
		128 ⇔ 135	Effect 16
		136 ⇔ 143	Effect 17
		144 ⇔ 151	Effect 18
		152 ⇔ 159	Effect 19
		160 ⇔ 167	Effect 20
		168 ⇔ 175	Effect 21
		176 ⇔ 183	Effect 22
		184 ⇔ 191	Effect 23
		192 ⇔ 199	Effect 24
		200 ⇔ 207	Effect 25
		208 ⇔ 215	Effect 26
		216 ⇔ 223	Effect 27
		224 ⇔ 231	Effect 28
		232 ⇔ 239	Effect 29
		240 ⇔ 247	Effect 30
248 ⇔ 255	Effect 31		
18	Movement macro speed	000 ⇔ 255	0–100%
19	Control	000 ⇔ 069	No function
		070 ⇔ 079	Enable pan/tilt blackout
		080 ⇔ 089	Disable pan/tilt blackout
		090 ⇔ 099	Enable blackout while color wheel is moving
		100 ⇔ 109	Disable color wheel blackout
		110 ⇔ 119	Enable blackout while gobo wheels are moving
		120 ⇔ 129	Disable gobo wheel blackout
		130 ⇔ 139	Lamp on
		140 ⇔ 149	Pan/tilt reset
		150 ⇔ 159	Color wheel reset
		160 ⇔ 169	Gobo wheel reset
		170 ⇔ 179	Shutter/prism reset
		180 ⇔ 189	No function
		190 ⇔ 199	Focus reset
		200 ⇔ 209	All reset
		210 ⇔ 219	Enable blackout all function during pan/tilt
		220 ⇔ 229	Disable blackout all function during pan/tilt
230 ⇔ 239	Lamp off		
240 ⇔ 255	No function		

EN

16CH

Channel	Function	Value	Percent/Setting
1	Pan	000 ⇔ 255	0–100%
2	Pan fine	000 ⇔ 255	Fine control (16-bit)
3	Tilt	000 ⇔ 255	0–100%
4	Tilt fine	000 ⇔ 255	Fine control (16-bit)
5	Pan/tilt speed	000 ⇔ 255	Fast to slow
6	Dimmer	000 ⇔ 255	0–100%
7	Strobe	000 ⇔ 007	Closed
		008 ⇔ 015	Open
		016 ⇔ 131	Synchronized strobe, slow to fast
		132 ⇔ 167	Fast close, slow open (slow to fast)
		168 ⇔ 203	Slow close, fast open (slow to fast)
		204 ⇔ 239	Pulse strobe, slow to fast
		240 ⇔ 247	Random strobe, slow to fast
		248 ⇔ 255	Open
8	Color wheel	000 ⇔ 004	Open
		005 ⇔ 008	Red
		009 ⇔ 012	Orange
		013 ⇔ 016	Cyan
		017 ⇔ 020	Light green
		021 ⇔ 024	Light yellow
		025 ⇔ 028	Lavender
		029 ⇔ 032	Pink
		033 ⇔ 036	Yellow
		037 ⇔ 040	Magenta
		041 ⇔ 044	Light blue
		045 ⇔ 048	Amber
		049 ⇔ 052	CTO 5600K
		053 ⇔ 056	CTO 6500K
		057 ⇔ 060	UV
		061 ⇔ 127	Split colors
		128 ⇔ 189	Clockwise color scroll, fast to slow
		190 ⇔ 193	Stop
194 ⇔ 255	Counterclockwise color scroll, slow to fast		

Channel	Function	Value	Percent/Setting
9	Static gobo wheel	000 ⇄ 003	Open
		004 ⇄ 006	Gobo 1
		007 ⇄ 009	Gobo 2
		010 ⇄ 012	Gobo 3
		013 ⇄ 015	Gobo 4
		016 ⇄ 018	Gobo 5
		019 ⇄ 021	Gobo 6
		022 ⇄ 024	Gobo 7
		025 ⇄ 027	Gobo 8
		028 ⇄ 030	Gobo 9
		031 ⇄ 033	Gobo 10
		034 ⇄ 036	Gobo 11
		037 ⇄ 039	Gobo 12
		040 ⇄ 042	Gobo 13
		043 ⇄ 045	Gobo 14
		046 ⇄ 048	Gobo 15
		049 ⇄ 051	Gobo 16
		052 ⇄ 055	Gobo 17
		056 ⇄ 059	Open
		060 ⇄ 063	Gobo 1 shaking, slow to fast
		064 ⇄ 067	Gobo 2 shaking, slow to fast
		068 ⇄ 071	Gobo 3 shaking, slow to fast
		072 ⇄ 075	Gobo 4 shaking, slow to fast
		076 ⇄ 079	Gobo 5 shaking, slow to fast
		080 ⇄ 083	Gobo 6 shaking, slow to fast
		084 ⇄ 087	Gobo 7 shaking, slow to fast
		088 ⇄ 091	Gobo 8 shaking, slow to fast
		092 ⇄ 095	Gobo 9 shaking, slow to fast
		096 ⇄ 099	Gobo 10 shaking, slow to fast
		100 ⇄ 103	Gobo 11 shaking, slow to fast
		104 ⇄ 107	Gobo 12 shaking, slow to fast
108 ⇄ 111	Gobo 13 shaking, slow to fast		
112 ⇄ 115	Gobo 14 shaking, slow to fast		
116 ⇄ 119	Gobo 15 shaking, slow to fast		
120 ⇄ 123	Gobo 16 shaking, slow to fast		
124 ⇄ 127	Gobo 17 shaking, slow to fast		
128 ⇄ 189	Clockwise gobo scroll, fast to slow		
190 ⇄ 193	Stop		
194 ⇄ 255	Counterclockwise gobo scroll, slow to fast		
10	Prism 1	000 ⇄ 004	No function
		005 ⇄ 255	Prism index
11	Prism 1 rotation	000 ⇄ 127	Prism index
		128 ⇄ 189	Clockwise rotation, fast to slow
		190 ⇄ 193	Stop
		194 ⇄ 255	Counterclockwise rotation, slow to fast
12	Prism 2	000 ⇄ 004	No function
		005 ⇄ 255	Prism index
13	Prism 2 rotation	000 ⇄ 127	Prism index
		128 ⇄ 189	Clockwise rotation, fast to slow
		190 ⇄ 193	Stop
		194 ⇄ 255	Counterclockwise rotation, slow to fast
14	Frost	000 ⇄ 255	0–100%
15	Focus	000 ⇄ 255	0–100%

Channel	Function	Value	Percent/Setting
16	Control	000 ⇔ 069	No function
		070 ⇔ 079	Enable pan/tilt blackout
		080 ⇔ 089	Disable pan/tilt blackout
		090 ⇔ 099	Enable blackout while color wheel is moving
		100 ⇔ 109	Disable color wheel blackout
		110 ⇔ 119	Enable blackout while gobo wheels are moving
		120 ⇔ 129	Disable gobo wheel blackout
		130 ⇔ 139	Lamp on
		140 ⇔ 149	Pan/tilt reset
		150 ⇔ 159	Color wheel reset
		160 ⇔ 169	Gobo wheel reset
		170 ⇔ 179	Shutter/prism reset
		180 ⇔ 189	No function
		190 ⇔ 199	Focus reset
		200 ⇔ 209	All reset
		210 ⇔ 219	Enable blackout all function during pan/tilt
		220 ⇔ 229	Disable blackout all function during pan/tilt
230 ⇔ 239	Lamp off		
240 ⇔ 255	No function		

Acerca de Esta Guía

La Guía de Referencia Rápida (GRR) del Rogue R3 Beam contiene información básica sobre el producto, como montaje, opciones de menú y valores DMX. Descargue el Manual de Usuario de www.chauvetprofessional.com para información más detallada.

Exención de Responsabilidad

La información y especificaciones contenidas en esta GRR están sujetas a cambio sin previo aviso.

GARANTÍA LIMITADA

PARA VER EL REGISTRO DE GARANTÍA Y LOS TÉRMINOS Y CONDICIONES COMPLETOS, VISITE NUESTRO SITIO WEB.

Para clientes en los Estados Unidos y México: www.chauvetlighting.com/warranty-registration.

Para clientes en Reino Unido, República de Irlanda, Bélgica, Países Bajos, Luxemburgo, Francia y Alemania: www.chauvetlighting.eu/warranty-registration.

Chauvet garantiza que este producto estará libre de defectos de material y mano de obra en condiciones de uso normales, durante el periodo especificado, sujeto siempre a las exclusiones y limitaciones establecidas en la garantía limitada completa de nuestro sitio web. Esta garantía se concede únicamente al comprador original del producto y no es transferible. Para ejercer los derechos que otorga esta garantía, usted debe proporcionar una prueba de compra en forma de un recibo de compra original, expedido por un distribuidor autorizado, donde figure el nombre del producto y la fecha de compra. **NO EXISTEN OTRAS GARANTÍAS EXPRESAS NI IMPLÍCITAS.** Esta garantía le otorga derechos legales específicos. Es posible que a usted le asistan otros derechos, que variarán dependiendo del estado o del país. Esta garantía solamente es válida en los Estados Unidos, Reino Unido, República de Irlanda, Bélgica, Países Bajos, Luxemburgo, Francia, Alemania y México. Para conocer los términos de garantía en otros países, consulte a su distribuidor local.

Notas de Seguridad

- NO abra este producto. No contiene piezas reparables por el usuario.
- NO mire a la fuente de luz cuando el producto esté encendido.
- NO deje ningún material inflamable a menos de 20 cm de este producto mientras esté funcionando o conectado a la alimentación.
- NO ponga en funcionamiento este producto si sospecha que la carcasa, lentes o cables están dañados.
- NO conecte este producto a un atenuador o reostato.
- NO ponga en funcionamiento este producto en el exterior o en cualquier ubicación en la que el polvo, calor excesivo, agua o humedad puedan afectarlo (IP20).
- CUIDADO: Cuando transfiera el producto desde ambientes con temperatura extrema (p. ej., del remolque frío de un camión a una sala de baile con calor y humedad), puede formarse condensación en la electrónica interna del producto. Para evitar que se produzca una avería, deje que el producto se aclimate completamente al ambiente antes de conectar la alimentación.
- CUIDADO: La carcasa de este producto está caliente cuando las luces están en funcionamiento.
- USE un cable de seguridad cuando monte este producto en lo alto.
- Conecte este producto SOLO a un circuito con toma de tierra y protegido.
- Use SOLAMENTE los soportes de colgar/montar para mover este producto.
- Monte este producto en una ubicación con ventilación adecuada, al menos a 20" (50 cm) de superficies adyacentes.
- Para evitar un desgaste innecesario y alargar su vida útil, desconecte complementemente el producto de la alimentación, mediante el interruptor o desenchufándolo, durante los periodos en los que no se use.
- En caso de un problema grave de funcionamiento, deje de usarlo inmediatamente.
- La máxima temperatura ambiente es de 113 °F (45 °C). No haga funcionar este producto a temperaturas más altas.
- La luminaria debe colocarse de forma que no sea previsible que se mire fijamente hacia ella a una distancia menor de 8 m.
- Si se daña el cable externo flexible de esta luminaria, se sustituirá con un cable especial o con un cable disponible exclusivamente a través del fabricante o de su agente de servicio técnico.
- Solo el fabricante, su agente de servicio o un técnico de similar cualificación podrán reemplazar la fuente de luz contenida en esta luminaria.
- La luminaria está destinada exclusivamente a un uso profesional.

Cumplimiento de la FCC

Este dispositivo cumple la parte 15, parte B de las normas FCC. El Funcionamiento está supeditado al cumplimiento de estas dos condiciones:

1. Este dispositivo no puede causar interferencias perjudiciales; y
2. Este dispositivo debe aceptar cualquier interferencia recibida, incluyendo las interferencias que puedan causar un funcionamiento no deseado.

Cualquier cambio o modificación que no haya sido expresamente autorizado por la parte responsable de conformidad puede anular la potestad del usuario para hacer funcionar el equipo.

Contacto

Fuera de EE. UU., Reino Unido, Irlanda, Benelux, Francia, Alemania o México póngase en contacto con su distribuidor para solicitar asistencia o devolver un producto. Consulte [Contact Us](#) al final de este GRR para información de contacto.

Qué va Incluido

- Rogue R3 Beam
- Cable de alimentación Neutrik® powerCON®
- 2 soportes Omega con material de montaje
- Guía de Referencia Rápida

Corriente Alterna

Este producto tiene una fuente de alimentación con detección automática que puede funcionar con un rango de tensión de entrada de 100 a 240 VCA, 50/60 Hz.

Alimentación en Cadena

Puede enlazar hasta 3 productos Rogue R3 Beam a 120 V, 6 productos a 208 V o 7 productos a 230 V. Nunca exceda este número. Los cables de alimentación en cadena se pueden adquirir por separado.

Enchufe CA

Conexión	Cable (EE.UU.)	Cable (Europa)	Color del tornillo
CA Cargado	Negro	Marrón	Amarillo/Latón
CA Neutro	Blanco	Azul	Plata
CA Tierra	Verde/Amarillo	Verde/Amarillo	Verde



Para evitar un desgaste innecesario y alargar su vida útil, desconecte completamente el producto de la alimentación, mediante el interruptor o desenchufándolo, durante los periodos en los que no se use.

Sustitución del Fusible

1. Desconecte este producto de la alimentación.
2. Utilizando un destornillador plano, desatornille la tapa del portafusibles de la carcasa.
3. Quite el fusible fundido del portafusibles y sustitúyalo con uno nuevo del mismo tipo y categoría.
4. Vuelva a atornillar la tapa del portafusibles en su sitio y conecte de nuevo la alimentación.

Enlace DMX

El Rogue R3 Beam funcionará con un controlador DMX usando una conexión serie DMX de 3 o 5 pines. Hay un Manual DMX disponible en www.chauvetprofessional.com.

Conexión DMX

El Rogue R3 Beam usa una conexión de datos DMX de 3 o 5 pines para sus personalidades: **16CH** y **19CH**. Vea el Manual de Usuario para conectar y configurar para funcionamiento DMX.

RDM (gestión remota del dispositivo)

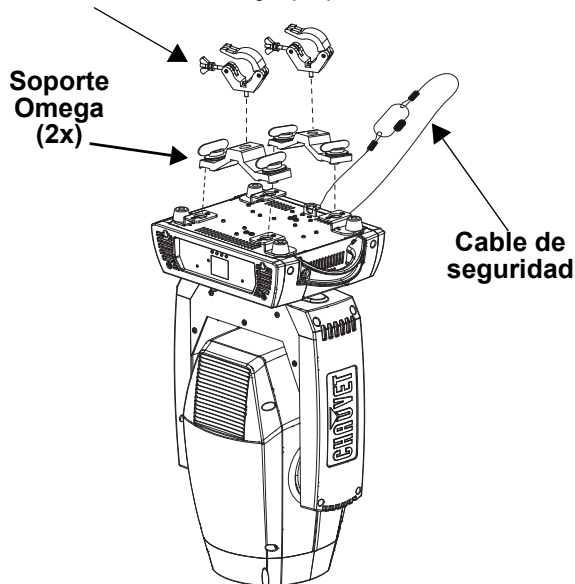
Remote Device Management (gestión remota del dispositivo) o RDM, es un estándar que permite a los dispositivos con capacidad DMX una comunicación bidireccional por un cableado DMX existente. El Rogue R3 Beam admite protocolo RDM, que posibilita información para supervisar cambiar las opciones del mapa de menú. Descargue el manual de usuario de www.chauvetprofessional.com para una información más detallada.

Montaje

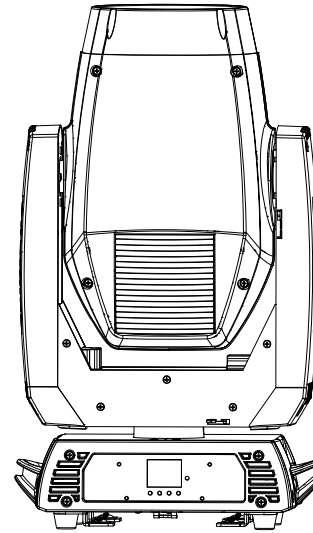
Antes de montar este producto, lea las [Notas de Seguridad](#). Utilice al menos un punto de montaje por producto. Asegúrese de que las abrazaderas de montaje son capaces de soportar el peso del producto. Para nuestra línea Chauvet de abrazaderas de montaje, visite <http://trusst.com/productcategory/truss-clamps/>.

Diagrama de montaje del producto

Abrazadera de montaje (2x)



Montaje en altura



Montaje en el suelo

Descripción del Panel de Control

Botón	Función
<MENU>	Salte del menú o función actual
<ENTER>	Habilita el menú actualmente en pantalla o configura el valor seleccionado actualmente dentro de la función seleccionada
<UP>	Navega hacia arriba por la lista de menú y aumenta el valor numérico cuando está en una función
<DOWN>	Navega hacia abajo por la lista de menú y disminuye el valor numérico cuando está en una función

Mapa de Menú

Consulte la página del producto Rogue R3 Beam en www.chauvetprofessional.com para ver el último mapa de menu.

Nivel Principal	Niveles de Programación		Descripción	
Address	001–512		Configura la dirección inicial DMX	
Run Mode	DMX	16CH	Selecciona la personalidad DMX	
		19CH		
	Auto Test		Inicia la secuencia de prueba del dispositivo	
	Manual Test	Pan	000–255	Permite control manual de toda la configuración desde el panel de control
		Pan Fine		
		Tilt		
		Tilt Fine		
		P/T Speed		
		Dimmer		
		Dimmer Fine		
		Shutter		
		Color		
		Gobo		
		Prism1		
		Prism1 Rot		
		Prism2		
		Prism2 Rot		
		Frost		
Focus				
P/T Macro				
P/T Ma. Speed				
Special Function				
Setup	Pan Reverse	NO	Funcionamiento de desplazamiento lateral normal	
		YES	Invierte el funcionamiento del desplazamiento lateral	
	Tilt Reverse	NO	Funcionamiento inclinación normal	
		YES	Invierte el funcionamiento de la inclinación	
	Screen Reverse	NO	Vista normal de la pantalla de control	
		YES	Gira la pantalla de control	
	Pan Angle	540	Selecciona el rango de desplazamiento lateral de 540°	
		360	Selecciona el rango de desplazamiento lateral de 360°	
		180	Selecciona el rango de desplazamiento lateral de 180°	
	Tilt Angle	270	Selecciona el rango de inclinación de 270°	
		180	Selecciona el rango de inclinación de 180°	
		90	Selecciona el rango de inclinación de 90°	
	BL. O. P/T Move	YES	Blackout mientras se desplaza/inclina	
		NO	No blackout mientras se desplaza/inclina	
	BL. O. Color Move	YES	Blackout mientras la rueda de color se mueve	
		NO	No blackout mientras la rueda de color se mueve	
	BL. O. Gobo Move	YES	Blackout mientras las ruedas de gobo se mueve	
		NO	No blackout mientras las ruedas de gobo se mueve	

Nivel Principal	Niveles de Programación			Descripción
Setup (continuación)	Lamp Settings	On/Off	ON	Apaga/enciende la lámpara
			OFF	
		State/Power On	ON	Define el estado de la lámpara cuando se da alimentación al producto
			OFF	
		Off via DMX	YES	Apaga la unidad a través del controlador DMX
			NO	
		On if DMX On	YES	Enciende la lámpara cuando detecta la señal DMX
			NO	
		Off if DMX Off	YES	Apaga la lámpara cuando detecta la señal DMX
	NO			
	Maintenance Timer	Interval	000–250	Selecciona la duración del retardo entre el encendido del producto y el encendido de la lámpara
			Remaining time	NO
		RESET		Reinicia el tiempo al principio
	Reset Function	Pan/Tilt	YES/NO	Restablece las funciones individuales o todas las funciones desde el arranque
		Shutter/Prism		
		Color		
		Gobo		
		Frost/Focus		
Factory Settings	YES		Restablece el dispositivo a la configuración de fábrica	
	NO			
Sys Info	System Information	Ver	V_	Muestra en pantalla la versión de software
		Running Mode	---	Muestra el modo de ejecución actual
		DMX Address	---	Muestra la dirección DMX actual
		Temperature	---	Muestra la temperatura del producto en °C
		Lamp On Time	----	Muestra la cantidad de tiempo que ha estado encendida la lámpara (siempre que el contador se haya reiniciado tras la instalación de una lámpara nueva)
		Remain Time	-----	Muestra en pantalla el tiempo restante del ciclo de mantenimiento
		UID	-----	Muestra el UID del producto
		Fan1 Speed	-----	Muestra la velocidad del ventilador 1
		Fan2 Speed	-----	Muestra la velocidad del ventilador 2

ES

Valores DMX

19CH

Canal	Función	Valor	Porcentaje/Configuración
1	Panoramico	000 ⇔ 255	0–100%
2	Panoramico fino	000 ⇔ 255	Control fino (16-bit)
3	Inclinación	000 ⇔ 255	0–100%
4	Inclinación fino	000 ⇔ 255	Control fino (16-bit)
5	Velocidad de panoramico/ inclinación	000 ⇔ 255	Rápido a lento
6	Atenuador	000 ⇔ 255	0–100%
7	Atenuador fino	000 ⇔ 255	Control fino (16-bit)
8	Obturador	000 ⇔ 007	Cerrado
		008 ⇔ 015	Abierto
		016 ⇔ 131	Luz estroboscópica sincronizada, lenta a rápida
		132 ⇔ 167	Cerrar rápido, abrir lento (lento a rápido)
		168 ⇔ 203	Cerrar lento, abrir rápido (lento a rápido)
		204 ⇔ 239	Estroboscópico de pulso, lento a rápido
		240 ⇔ 247	Luz estroboscópica aleatoria, lenta a rápida
9	Rueda de color	248 ⇔ 255	Abierto
		000 ⇔ 004	Abierto
		005 ⇔ 008	Rojo
		009 ⇔ 012	Naranja
		013 ⇔ 016	Cian
		017 ⇔ 020	Verde claro
		021 ⇔ 024	Amarillo claro
		025 ⇔ 028	Lavanda
		029 ⇔ 032	Rosado
		033 ⇔ 036	Amarillo
		037 ⇔ 040	Magenta
		041 ⇔ 044	Azul claro
		045 ⇔ 048	Ámbar
		049 ⇔ 052	CTO 5600K
		053 ⇔ 056	CTO 6500K
		057 ⇔ 060	UV
		061 ⇔ 127	Colores divididos
128 ⇔ 189	Desplazamiento de color, rápido a lento		
190 ⇔ 193	Parada		
194 ⇔ 255	Desplazamiento inverso de color, lento a rápido		

Canal	Función	Valor	Porcentaje/Configuración
10	Rueda de gobo estática	000 ⇔ 003	Abierto
		004 ⇔ 006	Gobo 1
		007 ⇔ 009	Gobo 2
		010 ⇔ 012	Gobo 3
		013 ⇔ 015	Gobo 4
		016 ⇔ 018	Gobo 5
		019 ⇔ 021	Gobo 6
		022 ⇔ 024	Gobo 7
		025 ⇔ 027	Gobo 8
		028 ⇔ 030	Gobo 9
		031 ⇔ 033	Gobo 10
		034 ⇔ 036	Gobo 11
		037 ⇔ 039	Gobo 12
		040 ⇔ 042	Gobo 13
		043 ⇔ 045	Gobo 14
		046 ⇔ 048	Gobo 15
		049 ⇔ 051	Gobo 16
		052 ⇔ 055	Gobo 17
		056 ⇔ 059	Abierto
		060 ⇔ 063	Vibración de gobo 1, lento a rápido
		064 ⇔ 067	Vibración de gobo 2, lento a rápido
		068 ⇔ 071	Vibración de gobo 3, lento a rápido
		072 ⇔ 075	Vibración de gobo 4, lento a rápido
		076 ⇔ 079	Vibración de gobo 5, lento a rápido
		080 ⇔ 083	Vibración de gobo 6, lento a rápido
		084 ⇔ 087	Vibración de gobo 7, lento a rápido
		088 ⇔ 091	Vibración de gobo 8, lento a rápido
		092 ⇔ 095	Vibración de gobo 9, lento a rápido
		096 ⇔ 099	Vibración de gobo 10, lento a rápido
		100 ⇔ 103	Vibración de gobo 11, lento a rápido
104 ⇔ 107	Vibración de gobo 12, lento a rápido		
108 ⇔ 111	Vibración de gobo 13, lento a rápido		
112 ⇔ 115	Vibración de gobo 14, lento a rápido		
116 ⇔ 119	Vibración de gobo 15, lento a rápido		
120 ⇔ 123	Vibración de gobo 16, lento a rápido		
124 ⇔ 127	Vibración de gobo 17, lento a rápido		
128 ⇔ 189	Desplazamiento de gobo, rápido a lento		
190 ⇔ 193	Parada		
194 ⇔ 255	Desplazamiento inverso de gobo, lento a rápido		
11	Prisma 1	000 ⇔ 004	Sin función
		005 ⇔ 255	Insertar prisma
12	Rotación de prisma 1	000 ⇔ 127	Prisma giratorio indexación
		128 ⇔ 189	Rotación de prisma, rápido a lento
		190 ⇔ 193	Parada
		194 ⇔ 255	Rotación inverso de prisma, lento a rápido
13	Prisma 2	000 ⇔ 004	Sin función
		005 ⇔ 255	Indexado prisma
14	Rotación de prisma 2	000 ⇔ 127	Indexado prisma
		128 ⇔ 189	Rotación de prisma, rápido a lento
		190 ⇔ 193	Parada
		194 ⇔ 255	Rotación inverso de prisma, lento a rápido
15	Difusor	000 ⇔ 255	0–100%
16	Foco	000 ⇔ 255	0–100%

Canal	Función	Valor	Porcentaje/Configuración
17	Macros de movimiento	000 ⇔ 007	Sin función
		008 ⇔ 015	Efecto 1
		016 ⇔ 023	Efecto 2
		024 ⇔ 031	Efecto 3
		032 ⇔ 039	Efecto 4
		040 ⇔ 047	Efecto 5
		048 ⇔ 055	Efecto 6
		056 ⇔ 063	Efecto 7
		064 ⇔ 071	Efecto 8
		072 ⇔ 079	Efecto 9
		080 ⇔ 087	Efecto 10
		088 ⇔ 095	Efecto 11
		096 ⇔ 103	Efecto 12
		104 ⇔ 111	Efecto 13
		112 ⇔ 119	Efecto 14
		120 ⇔ 127	Efecto 15
		128 ⇔ 135	Efecto 16
		136 ⇔ 143	Efecto 17
		144 ⇔ 151	Efecto 18
		152 ⇔ 159	Efecto 19
		160 ⇔ 167	Efecto 20
		168 ⇔ 175	Efecto 21
		176 ⇔ 183	Efecto 22
		184 ⇔ 191	Efecto 23
		192 ⇔ 199	Efecto 24
		200 ⇔ 207	Efecto 25
		208 ⇔ 215	Efecto 26
		216 ⇔ 223	Efecto 27
		224 ⇔ 231	Efecto 28
		232 ⇔ 239	Efecto 29
		240 ⇔ 247	Efecto 30
248 ⇔ 255	Efecto 31		
18	Movimiento macro velocidad	000 ⇔ 255	0–100%
19	Control	000 ⇔ 069	Sin función
		070 ⇔ 079	Habilitar el apagón de giro/inclinación
		080 ⇔ 089	Desactivar el apagón de giro/inclinación
		090 ⇔ 099	Habilitación de apagón de color
		100 ⇔ 109	Desactivar el apagón de la rueda de color
		110 ⇔ 119	Habilitación de apagón de gobo
		120 ⇔ 129	Desactivar el apagón de la rueda de gobo
		130 ⇔ 139	Lámpara encendida
		140 ⇔ 149	Restablecer de giro / inclinación
		150 ⇔ 159	Restablecer rueda de color
		160 ⇔ 169	Reinicio de la rueda de gobos
		170 ⇔ 179	Obturador/reinicio del prisma
		180 ⇔ 189	Sin función
		190 ⇔ 199	Restablecer foco
		200 ⇔ 209	Todo reinicio
		210 ⇔ 219	Habilite el apagón de todas las funciones
		220 ⇔ 229	Desactivar el apagón de todas las funciones
230 ⇔ 239	Lámpara apagada		
240 ⇔ 255	Sin función		

16CH

Canal	Función	Valor	Porcentaje/Configuración
1	Panoramico	000 ⇔ 255	0–100%
2	Panoramico fino	000 ⇔ 255	Control fino (16-bit)
3	Inclinación	000 ⇔ 255	0–100%
4	Inclinación fino	000 ⇔ 255	Control fino (16-bit)
5	Velocidad de panoramico/ inclinación	000 ⇔ 255	Rápido a lento
6	Atenuador	000 ⇔ 255	0–100%
7	Obturador	000 ⇔ 007	Cerrado
		008 ⇔ 015	Abierto
		016 ⇔ 131	Luz estroboscópica sincronizada, lenta a rápida
		132 ⇔ 167	Cerrar rápido, abrir lento (lento a rápido)
		168 ⇔ 203	Cerrar lento, abrir rápido (lento a rápido)
		204 ⇔ 239	Estroboscópico de pulso, lento a rápido
		240 ⇔ 247	Luz estroboscópica aleatoria, lenta a rápida
248 ⇔ 255	Abierto		
8	Rueda de color	000 ⇔ 004	Abierto
		005 ⇔ 008	Rojo
		009 ⇔ 012	Naranja
		013 ⇔ 016	Cian
		017 ⇔ 020	Verde claro
		021 ⇔ 024	Amarillo claro
		025 ⇔ 028	Lavanda
		029 ⇔ 032	Rosado
		033 ⇔ 036	Amarillo
		037 ⇔ 040	Magenta
		041 ⇔ 044	Azul claro
		045 ⇔ 048	Ámbar
		049 ⇔ 052	CTO 5600K
		053 ⇔ 056	CTO 6500K
		057 ⇔ 060	UV
		061 ⇔ 127	Colores divididos
		128 ⇔ 189	Desplazamiento de color, rápido a lento
190 ⇔ 193	Parada		
194 ⇔ 255	Desplazamiento inverso de color, lento a rápido		

Canal	Función	Valor	Porcentaje/Configuración
9	Rueda de gobo estática	000 ⇔ 003	Abierto
		004 ⇔ 006	Gobo 1
		007 ⇔ 009	Gobo 2
		010 ⇔ 012	Gobo 3
		013 ⇔ 015	Gobo 4
		016 ⇔ 018	Gobo 5
		019 ⇔ 021	Gobo 6
		022 ⇔ 024	Gobo 7
		025 ⇔ 027	Gobo 8
		028 ⇔ 030	Gobo 9
		031 ⇔ 033	Gobo 10
		034 ⇔ 036	Gobo 11
		037 ⇔ 039	Gobo 12
		040 ⇔ 042	Gobo 13
		043 ⇔ 045	Gobo 14
		046 ⇔ 048	Gobo 15
		049 ⇔ 051	Gobo 16
		052 ⇔ 055	Gobo 17
		056 ⇔ 059	Abierto
		060 ⇔ 063	Vibración de gobo 1, lento a rápido
		064 ⇔ 067	Vibración de gobo 2, lento a rápido
		068 ⇔ 071	Vibración de gobo 3, lento a rápido
		072 ⇔ 075	Vibración de gobo 4, lento a rápido
		076 ⇔ 079	Vibración de gobo 5, lento a rápido
		080 ⇔ 083	Vibración de gobo 6, lento a rápido
		084 ⇔ 087	Vibración de gobo 7, lento a rápido
		088 ⇔ 091	Vibración de gobo 8, lento a rápido
		092 ⇔ 095	Vibración de gobo 9, lento a rápido
		096 ⇔ 099	Vibración de gobo 10, lento a rápido
		100 ⇔ 103	Vibración de gobo 11, lento a rápido
104 ⇔ 107	Vibración de gobo 12, lento a rápido		
108 ⇔ 111	Vibración de gobo 13, lento a rápido		
112 ⇔ 115	Vibración de gobo 14, lento a rápido		
116 ⇔ 119	Vibración de gobo 15, lento a rápido		
120 ⇔ 123	Vibración de gobo 16, lento a rápido		
124 ⇔ 127	Vibración de gobo 17, lento a rápido		
128 ⇔ 189	Desplazamiento de gobo, rápido a lento		
190 ⇔ 193	Parada		
194 ⇔ 255	Desplazamiento inverso de gobo, lento a rápido		
10	Prisma 1	000 ⇔ 004	Sin función
		005 ⇔ 255	Insertar prisma
11	Rotación de prisma 1	000 ⇔ 127	Prisma giratorio indexación
		128 ⇔ 189	Rotación de prisma, rápido a lento
		190 ⇔ 193	Parada
		194 ⇔ 255	Rotación inverso de prisma, lento a rápido
12	Prisma 2	000 ⇔ 004	Sin función
		005 ⇔ 255	Indexado prisma
13	Rotación de prisma 2	000 ⇔ 127	Indexado prisma
		128 ⇔ 189	Rotación de prisma, rápido a lento
		190 ⇔ 193	Parada
		194 ⇔ 255	Rotación inverso de prisma, lento a rápido
14	Difusor	000 ⇔ 255	0–100%
15	Foco	000 ⇔ 255	0–100%

Canal	Función	Valor	Porcentaje/Configuración
16	Control	000 ⇔ 069	Sin función
		070 ⇔ 079	Habilitar el apagón de giro/inclinación
		080 ⇔ 089	Desactivar el apagón de giro/inclinación
		090 ⇔ 099	Habilitación de apagón de color
		100 ⇔ 109	Desactivar el apagón de la rueda de color
		110 ⇔ 119	Habilitación de apagón de gobo
		120 ⇔ 129	Desactivar el apagón de la rueda de gobo
		130 ⇔ 139	Lámpara encendida
		140 ⇔ 149	Restablecer de giro/inclinación
		150 ⇔ 159	Restablecer rueda de color
		160 ⇔ 169	Reinicio de la rueda de gobos
		170 ⇔ 179	Obturador/reinicio del prisma
		180 ⇔ 189	Sin función
		190 ⇔ 199	Restablecer foco
		200 ⇔ 209	Todo reinicio
		210 ⇔ 219	Habilite el apagón de todas las funciones
		220 ⇔ 229	Desactivar el apagón de todas las funciones
		230 ⇔ 239	Lámpara apagada
240 ⇔ 255	Sin función		

À Propos de ce Manuel

Le Manuel de Référence du Rogue R3 Beam (MdR) reprend des informations de base sur cet appareil notamment en matière de connexions, montage, options de menu et valeurs DMX. Télécharger le Manuel d'Utilisation sur www.chauvetprofessional.com pour de plus amples informations.

Clause de Non-Responsabilité

Les informations et caractéristiques contenues dans ce manuel sont sujettes à changement sans préavis.

GARANTIE LIMITÉE

VEUILLEZ VISITER NOTRE SITE INTERNET POUR CONSULTER LES MODALITÉS D'ENREGISTREMENT DE LA GARANTIE ET LES CONDITIONS GÉNÉRALES COMPLÈTES.

Pour les clients aux États-Unis et au Mexique: www.chauvetlighting.com/warranty-registration.

Pour les clients du Royaume-Uni, de la République d'Irlande, de la Belgique, des Pays-Bas, du Luxembourg, de la France et de l'Allemagne: www.chauvetlighting.eu/warranty-registration.

Chauvet garantit que cet appareil est exempt de défauts de matériaux et de fabrication dans des conditions normales d'utilisation, pendant la période spécifiée dans la garantie limitée complète consultable sur notre site Internet et sous réserve des exclusions et limitations qui y sont énoncées. Cette garantie ne s'applique qu'à l'acheteur initial du produit et n'est pas transférable. Pour exercer les droits prévus par cette garantie, vous devez fournir une preuve d'achat sous la forme d'un reçu de vente original d'un revendeur autorisé qui indique le nom du produit et la date d'achat. **IL N'EXISTE AUCUNE AUTRE GARANTIE EXPRESSE OU IMPLICITE.** Cette garantie vous confère des droits légaux spécifique. Vous pouvez également bénéficier d'autres droits qui varient selon les états et les pays. Cette garantie n'est valable qu'aux États-Unis, au Royaume-Uni, en République d'Irlande, en Belgique, aux Pays-Bas, au Luxembourg, en France, en Allemagne et au Mexique. Pour connaître les conditions de garantie dans d'autres pays, veuillez consulter votre revendeur local.

Consignes de Sécurité

- N'ouvrez PAS cet appareil. Il ne contient aucun composant susceptible d'être réparé par l'utilisateur.
- Ne regardez PAS la source lumineuse lorsque le produit fonctionne.
- Ne laissez AUCUNE source inflammable dans un rayon de 20 cm du produit lorsque celui-ci fonctionne.
- N'utilisez QUE les lyres de suspension ou les poignées pour transporter cet appareil. Ne transportez jamais cet appareil par sa lyre asservie.
- N'utilisez PAS cet appareil si le boîtier, les lentilles ou les câbles vous semblent endommagés.
- Ne connectez ce produit NI à un gradateur NI à un rhéostat.
- N'utilisez PAS cet appareil en extérieur ou tout autre endroit où de la poussière, une chaleur excessive, de l'eau ou de l'humidité pourrait en affecter le fonctionnement (IP20).
- ATTENTION : Lorsque l'appareil est transféré d'un environnement à température extrême à un autre (par exemple d'un camion froid vers une salle de bal chaude et humide), de la condensation peut se former sur les composants électriques internes. Pour éviter de causer des dommages, laissez l'appareil s'acclimater entièrement au milieu environnant avant de le mettre sous tension.
- ATTENTION : le boîtier de ce produit peut s'avérer brûlant lors du fonctionnement.
- Montez toujours ce produit dans un endroit bien ventilé, à au moins 50 cm (20 pouces) des surfaces adjacentes.
- Utilisez TOUJOURS un câble de sécurité lorsque vous montez ce produit en hauteur.
- Connectez UNIQUEMENT cet appareil à un circuit protégé et relié à la terre.
- Durant les périodes de non-utilisation, pour éviter tout usure inutile et pour prolonger la durée de vie, déconnectez entièrement l'appareil en le débranchant de l'alimentation électrique ou en coupant le disjoncteur.
- En cas de sérieux problèmes de fonctionnement, arrêtez le système immédiatement.
- La température ambiante maximale doit être de 113° F (45° C). Ne le faites pas fonctionner à des températures plus élevées.
- Le luminaire doit être placé de manière à ce qu'il ne soit pas possible de le regarder de manière fixe à une distance inférieure à 8 m.
- Si le câble ou le cordon flexible externe de ce luminaire est endommagé, il doit être remplacé par un câble ou cordon spécial disponible exclusivement auprès du fabricant ou de son prestataire de service.
- La source lumineuse contenue dans ce luminaire ne peut être remplacée que par le fabricant ou son prestataire de service ou une personne suffisamment qualifiée.
- Ce luminaire est uniquement réservé à un usage professionnel.

Conformité FCC

Cet appareil est conforme à la partie 15, sous-partie B du règlement de la FCC. L'utilisation est soumise aux deux conditions suivantes:

1. Cet appareil ne doit pas causer d'interférences nuisibles, et
2. Cet appareil doit accepter toutes les interférences reçues, y compris celles pouvant entraîner un fonctionnement indésirable.

Tout changement ou modification non expressément approuvé par l'autorité responsable de la conformité pourrait annuler le droit de l'utilisateur à utiliser l'équipement.

Contact

En dehors des États-Unis, du Royaume-Uni, de l'Irlande, du Benelux, de la France, de l'Allemagne, ou du Mexique, contactez votre fournisseur si vous avez besoin d'assistance ou pour retourner un appareil. Référez-vous à [Contact Us](#) à la fin de ce MdR pour obtenir des informations pour nous contacter.

Ce Qui est Inclus

- Rogue R3 Beam
- Cordon d'alimentation Neutrik® powerCON®
- 2 fixations Omega avec matériel de montage
- Manuel de Référence

Alimentation CA

Cet appareil est doté d'une alimentation universelle prenant en charge toute tension d'entrée comprise entre 100 et 240 VCA, 50/60 Hz.

Connexion Électrique

Vous pouvez connecter jusqu'à 3 Rogue R3 Beam à 120 V, 6 unités à 208 V ou 7 unités à 230 V. Ne dépassez jamais ce nombre. Vous pouvez vous procurer séparément des cordons d'alimentation.

Prise CA

Connexion	Câble (États-Unis)	Câble (Europe)	Couleur de la vis
Conducteur CA	Noir	Marron	Jaune/Cuivré
Neutre CA	Blanc	Bleu	Argenté
Terre CA	Vert/Jaune	Vert/Jaune	Vert



Durant les périodes de non-utilisation, pour éviter toute usure inutile et pour prolonger la durée de vie, déconnectez-entièrement l'appareil en le débranchant de l'alimentation électrique ou en coupant le disjoncteur.

Remplacement du Fusible

1. Débranchez l'appareil de l'alimentation.
2. À l'aide d'un tournevis à tête plate, dévissez le couvercle du porte-fusible du boîtier.
3. Retirez le fusil obsolète et remplacez-le par un fusible en bon état de même type et ampérage.
4. Revissez le couvercle du porte-fusible et rebranchez l'unité.

Raccordement DMX

Le Rogue R3 Beam fonctionnera avec une console DMX au moyen d'une connexion série DMX à 3 ou 5 broches. Une introduction au DMX est à votre disposition sur www.chauvetprofessional.com.

Connexion DMX

Le Rogue R3 Beam utilise une connexion de données DMX à 3 ou 5 broches pour ses personnalités DMX : **16CH** et **19CH**. Consultez le Manuel d'Utilisation pour connecter et configurer le système DMX.

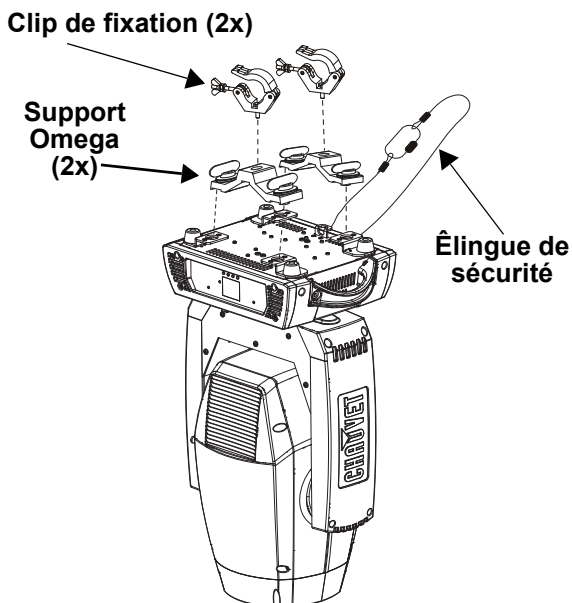
RDM (Gestion des périphériques à distance)

Le protocole RDM (gestion des périphériques à distance) est un standard pour la communication bidirectionnelle des appareils dotés de fonctions DMX dans un câblage DMX existant. Le Rogue R3 Beam supporte le protocole RDM permettant un retour d'information pour la surveillance et des changements des options de menu. Veuillez télécharger le manuel de l'utilisateur à partir du site internet www.chauvetprofessional.com pour plus de détails.

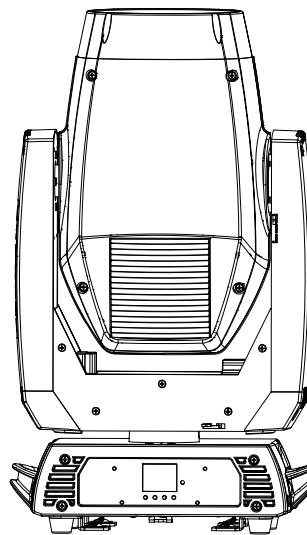
Installation

Avant de monter cet appareil, lisez et assimilez les [Consignes de Sécurité](#). Utilisez au moins un point de fixation par appareil. Soyez sûr que les crochets sont capables de supporter le poids du produit. Pour voir notre gamme de crochets, rendez-vous sur <http://trusst.com/productcategory/truss-clamps>.

Schéma de Montage de l'Appareil



Montage en Hauteur



Montage au Sol

Description du Tableau de Commandes

Bouton	Fonction
<MENU>	Permet la sortie du menu ou de la fonction en cours
<ENTER>	Permet l'affichage du menu en cours ou permet de configurer la valeur en cours dans la fonction sélectionnée
<UP>	Permet de parcourir les listes de menu vers le haut, dans une fonction permet d'augmenter les valeurs numériques
<DOWN>	Permet de parcourir les listes de menu vers le bas, dans une fonction permet de diminuer les valeurs numériques

Plan du Menu

 Reportez-vous à la page du produit Rogue R3 Beam sur www.chauvetprofessional.com pour la dernière carte des menu.

Niveau Principal	Niveaux de Programmation		Description	
Address	001–512		Configure l'adresse DMX de départ	
Run Mode	DMX	16CH	Sélectionne le mode DMX	
		19CH		
	Auto Test		Lance la séquence de test de l'appareil	
	Manual Test	Pan	000–255	Permet de commander manuellement tous les paramètres du panneau de commande
		Pan Fine		
		Tilt		
		Tilt Fine		
		P/T Speed		
		Dimmer		
		Dimmer Fine		
		Shutter		
		Color		
		Gobo		
		Prism1		
		Prism1 Rot		
		Prism2		
		Prism2 Rot		
		Frost		
		Focus		
P/T Macro				
P/T Ma. Speed				
Special Function				
Setup	Pan Reverse	NO	Fonctionnement normal du pan	
		YES	Fonctionnement inversé du pan	
	Tilt Reverse	NO	Fonctionnement normal du tilt	
		YES	Fonctionnement inversé du tilt	
	Screen Reverse	NO	Affichage normal	
		YES	Affichage à l'écran inversé	
	Pan Angle	540	Sélectionne une plage d'angle de pan à 540°	
		360	Sélectionne une plage d'angle de pan à 360°	
		180	Sélectionne une plage d'angle de pan à 180°	
	Tilt Angle	270	Sélectionne une plage d'angle de tilt à 270°	
		180	Sélectionne une plage d'angle de tilt à 180°	
		90	Sélectionne une plage d'angle de tilt à 90°	
BL. O. P/T Move	YES	Faire du noir pendant le pan/tilt		
	NO	Pas de faire du noir pendant le pan/tilt		
BL. O. Color Move	YES	Faire du noir pendant le roue de couleur		
	NO	Pas de faire du noir pendant le roue de couleur		
BL. O. Gobo Move	YES	Faire du noir pendant le roue de gobo		
	NO	Pas de faire du noir pendant le roue de gobo		

Niveau Principal	Niveaux de Programmation		Description			
Setup (continuation)	Lamp Settings	On/Off	ON OFF	Allume ou éteint l'unité		
		State/ Power On	ON OFF	Définit le statut de la lampe lors de la mise sous tension de l'unité		
			YES NO	Éteint l'unité via le jeu d'orgues DMX		
		On if DMX On	YES NO	La lampe s'allume quand le signal DMX est détecté		
			YES NO	La lampe s'éteint quand le signal DMX est perdu		
		Ignition Delay	000–255	Sélectionne la durée de la temporisation entre le moment où l'appareil s'allume et où la lampe s'allume		
		Low Power Delay	000–255	Sélectionne la durée de la temporisation entre le moment où l'obturateur se ferme et la lampe se met en mode veille		
		Reset Lamp Time	YES NO	Réinitialise la minuterie de la lampe Conserve la configuration de la minuterie de la lampe		
	Interval		000–250	Définit le nombre d'heures entre deux maintenances		
	Maintenance Timer	Remaining Time	NO RESET	Indique le temps restant lors du cycle de maintenance Réinitialise le temps		
		Reset Function	Pan/Tilt Shutter/ Prism Color Gobo Frost/ Focus All	YES/NO	Réinitialiser chaque fonction de manière individuelle ou toutes les fonctions à partir du démarrage	
	Factory Settings		YES NO	Réinitialisation aux paramètres par défaut d'usine		
			Sys Info	System Information	Ver	V_
	Running Mode				---	Affiche l'adresse de départ actuelle
	DMX Address				---	Affiche la personnalité actuelle
	Temperature	---			Affiche la température actuelle en °C	
	Lamp On Time	-----			Affiche le temps de fonctionne de la lampe depuis son installation (si le compteur a été remis à zéro quand la lampe a été changée)	
	Remain Time	-----			Indique le temps restant lors du cycle de maintenance	
UID	-----	Affiche l'UID du produit				
Fan1 Speed	-----	Affiche la vitesse du ventilateur 1				
Fan2 Speed	-----	Affiche la vitesse du ventilateur 2				

Valeurs DMX

19CH

Canal	Fonction	Valuer	Pourcentage/Configuration
1	Panoramique	000 ⇔ 255	0–100%
2	Panoramique précis	000 ⇔ 255	Contrôle précis (16-bit)
3	Inclinaison	000 ⇔ 255	0–100%
4	Inclinaison précis	000 ⇔ 255	Contrôle précis (16-bit)
5	Vitesse pan/tilt	000 ⇔ 255	Rapide à lent
6	Gradateur	000 ⇔ 255	0–100%
7	Gradateur fin	000 ⇔ 255	Contrôle fin (16-bit)
8	Obturbateur	000 ⇔ 007	Fermé
		008 ⇔ 015	Ouvert
		016 ⇔ 131	Stroboscope synchronisé, lent à rapide
		132 ⇔ 167	Fermeture rapide, ouverture lente (lent à rapide)
		168 ⇔ 203	Fermeture rapide, ouverture lente (lent à rapide)
		204 ⇔ 239	Stroboscope pulsé, lent à rapide
		240 ⇔ 247	Stroboscope aléatoire, lent à rapide
9	Roue de couleurs	248 ⇔ 255	Ouvert
		000 ⇔ 004	Ouvert
		005 ⇔ 008	Rouge
		009 ⇔ 012	Orange
		013 ⇔ 016	Cyan
		017 ⇔ 020	Vert clair
		021 ⇔ 024	Jaune clair
		025 ⇔ 028	Lavande
		029 ⇔ 032	Rose
		033 ⇔ 036	Jaune
		037 ⇔ 040	Magenta
		041 ⇔ 044	Bleu clair
		045 ⇔ 048	Ambre
		049 ⇔ 052	CTO 5600K
		053 ⇔ 056	CTO 6500K
		057 ⇔ 060	UV
		061 ⇔ 127	Demi couleurs
		128 ⇔ 189	Défilement couleur, rapide à lent
		190 ⇔ 193	Arrêt
		194 ⇔ 255	Défilement inverse de couleur, rapide à lent, lent à rapide

Canal	Fonction	Valuer	Pourcentage/Configuration
10	Roue de gobo statique	000 ⇔ 003	Ouvert
		004 ⇔ 006	Gobo 1
		007 ⇔ 009	Gobo 2
		010 ⇔ 012	Gobo 3
		013 ⇔ 015	Gobo 4
		016 ⇔ 018	Gobo 5
		019 ⇔ 021	Gobo 6
		022 ⇔ 024	Gobo 7
		025 ⇔ 027	Gobo 8
		028 ⇔ 030	Gobo 9
		031 ⇔ 033	Gobo 10
		034 ⇔ 036	Gobo 11
		037 ⇔ 039	Gobo 12
		040 ⇔ 042	Gobo 13
		043 ⇔ 045	Gobo 14
		046 ⇔ 048	Gobo 15
		049 ⇔ 051	Gobo 16
		052 ⇔ 055	Gobo 17
		056 ⇔ 059	Ouvert
		060 ⇔ 063	Tremblement gobo 1, lent à rapide
		064 ⇔ 067	Tremblement gobo 2, lent à rapide
		068 ⇔ 071	Tremblement gobo 3, lent à rapide
		072 ⇔ 075	Tremblement gobo 4, lent à rapide
		076 ⇔ 079	Tremblement gobo 5, lent à rapide
		080 ⇔ 083	Tremblement gobo 6, lent à rapide
		084 ⇔ 087	Tremblement gobo 7, lent à rapide
		088 ⇔ 091	Tremblement gobo 8, lent à rapide
		092 ⇔ 095	Tremblement gobo 9, lent à rapide
		096 ⇔ 099	Tremblement gobo 10, lent à rapide
		100 ⇔ 103	Tremblement gobo 11, lent à rapide
		104 ⇔ 107	Tremblement gobo 12, lent à rapide
		108 ⇔ 111	Tremblement gobo 13, lent à rapide
		112 ⇔ 115	Tremblement gobo 14, lent à rapide
116 ⇔ 119	Tremblement gobo 15, lent à rapide		
120 ⇔ 123	Tremblement gobo 16, lent à rapide		
124 ⇔ 127	Tremblement gobo 17, lent à rapide		
128 ⇔ 189	Défilement de gobo, rapide à lent		
190 ⇔ 193	Arrêt		
194 ⇔ 255	Défilement inverse de gobo, lent à rapide		
11	Prisme 1	000 ⇔ 004	Pas de fonction
		005 ⇔ 255	Insertion de prisme
12	Rotation de prisme 1	000 ⇔ 127	Indice de prismes
		128 ⇔ 189	Rotation horaire, rapide à lent
		190 ⇔ 193	Arrêt
		194 ⇔ 255	Rotation antihoraire, lent à rapide
13	Prisme 2	000 ⇔ 004	Pas de fonction
		005 ⇔ 255	Indice de prismes
14	Rotation de prisme 2	000 ⇔ 127	Indice de prismes
		128 ⇔ 189	Rotation horaire, rapide à lent
		190 ⇔ 193	Arrêt
		194 ⇔ 255	Rotation antihoraire, lent à rapide
15	Givre	000 ⇔ 255	0–100%
16	Focus	000 ⇔ 255	0–100%

Canal	Fonction	Valuer	Pourcentage/Configuration
17	Macros de mouvements	000 ⇔ 007	Pas de fonction
		008 ⇔ 015	Effet 1
		016 ⇔ 023	Effet 2
		024 ⇔ 031	Effet 3
		032 ⇔ 039	Effet 4
		040 ⇔ 047	Effet 5
		048 ⇔ 055	Effet 6
		056 ⇔ 063	Effet 7
		064 ⇔ 071	Effet 8
		072 ⇔ 079	Effet 9
		080 ⇔ 087	Effet 10
		088 ⇔ 095	Effet 11
		096 ⇔ 103	Effet 12
		104 ⇔ 111	Effet 13
		112 ⇔ 119	Effet 14
		120 ⇔ 127	Effet 15
		128 ⇔ 135	Effet 16
		136 ⇔ 143	Effet 17
		144 ⇔ 151	Effet 18
		152 ⇔ 159	Effet 19
		160 ⇔ 167	Effet 20
		168 ⇔ 175	Effet 21
		176 ⇔ 183	Effet 22
		184 ⇔ 191	Effet 23
		192 ⇔ 199	Effet 24
		200 ⇔ 207	Effet 25
		208 ⇔ 215	Effet 26
		216 ⇔ 223	Effet 27
		224 ⇔ 231	Effet 28
		232 ⇔ 239	Effet 29
		240 ⇔ 247	Effet 30
248 ⇔ 255	Effet 31		
18	Vitesse macros de mouvements	000 ⇔ 255	0–100%
19	Commande	000 ⇔ 069	Pas de fonction
		070 ⇔ 079	Activez la coupure panoramique/inclinaison
		080 ⇔ 089	Desactivez la coupure panoramique/inclinaison
		090 ⇔ 099	Activez la coupure pendant que la roue de couleur se déplace
		100 ⇔ 109	Désactivez la panne de roue de couleur
		110 ⇔ 119	Activez le blackout pendant que les roues de gobos se déplacent
		120 ⇔ 129	Désactivez la panne de roue de gobos
		130 ⇔ 139	Lampe allumée
		140 ⇔ 149	Réinitialisation panoramique/inclinaison
		150 ⇔ 159	Réinitialisation de la roue de couleur
		160 ⇔ 169	Réinitialisation de la roue de gobo
		170 ⇔ 179	Réinitialisation obturateur / prisme
		180 ⇔ 189	Pas de fonction
		190 ⇔ 199	Réinitialisation de la focus
		200 ⇔ 209	Tout réinitialiser
		210 ⇔ 219	Activer la fonction blackout all pendant le panoramique/l'inclinaison
		220 ⇔ 229	Désactiver la fonction blackout all pendant le panoramique/inclinaison
230 ⇔ 239	Lampe éteinte		
240 ⇔ 255	Pas de fonction		

FR

16CH

Canal	Fonction	Valuer	Pourcentage/Configuration
1	Panoramique	000 ⇔ 255	0–100%
2	Panoramique précis	000 ⇔ 255	Contrôle précis (16-bit)
3	Inclinaison	000 ⇔ 255	0–100%
4	Inclinaison précis	000 ⇔ 255	Contrôle précis (16-bit)
5	Vitesse pan/tilt	000 ⇔ 255	Rapide à lent
6	Gradateur	000 ⇔ 255	0–100%
7	Obturbateur	000 ⇔ 007	Fermé
		008 ⇔ 015	Ouvert
		016 ⇔ 131	Stroboscope synchronisé, lent à rapide
		132 ⇔ 167	Fermeture rapide, ouverture lente (lent à rapide)
		168 ⇔ 203	Fermeture rapide, ouverture lente (lent à rapide)
		204 ⇔ 239	Stroboscope pulsé, lent à rapide
		240 ⇔ 247	Stroboscope aléatoire, lent à rapide
		248 ⇔ 255	Ouvert
8	Roue de couleurs	000 ⇔ 004	Ouvert
		005 ⇔ 008	Rouge
		009 ⇔ 012	Orange
		013 ⇔ 016	Cyan
		017 ⇔ 020	Vert clair
		021 ⇔ 024	Jaune clair
		025 ⇔ 028	Lavande
		029 ⇔ 032	Rose
		033 ⇔ 036	Jaune
		037 ⇔ 040	Magenta
		041 ⇔ 044	Bleu clair
		045 ⇔ 048	Ambre
		049 ⇔ 052	CTO 5600K
		053 ⇔ 056	CTO 6500K
		057 ⇔ 060	UV
		061 ⇔ 127	Demi couleurs
		128 ⇔ 189	Défilement couleur, rapide à lent
		190 ⇔ 193	Arrêt
		194 ⇔ 255	Défilement inverse de couleur, rapide à lent, lent à rapide

Canal	Fonction	Valuer	Pourcentage/Configuration
9	Roue de gobo statique	000 ⇔ 003	Ouvert
		004 ⇔ 006	Gobo 1
		007 ⇔ 009	Gobo 2
		010 ⇔ 012	Gobo 3
		013 ⇔ 015	Gobo 4
		016 ⇔ 018	Gobo 5
		019 ⇔ 021	Gobo 6
		022 ⇔ 024	Gobo 7
		025 ⇔ 027	Gobo 8
		028 ⇔ 030	Gobo 9
		031 ⇔ 033	Gobo 10
		034 ⇔ 036	Gobo 11
		037 ⇔ 039	Gobo 12
		040 ⇔ 042	Gobo 13
		043 ⇔ 045	Gobo 14
		046 ⇔ 048	Gobo 15
		049 ⇔ 051	Gobo 16
		052 ⇔ 055	Gobo 17
		056 ⇔ 059	Ouvert
		060 ⇔ 063	Tremblement gobo 1, lent à rapide
		064 ⇔ 067	Tremblement gobo 2, lent à rapide
		068 ⇔ 071	Tremblement gobo 3, lent à rapide
		072 ⇔ 075	Tremblement gobo 4, lent à rapide
		076 ⇔ 079	Tremblement gobo 5, lent à rapide
		080 ⇔ 083	Tremblement gobo 6, lent à rapide
		084 ⇔ 087	Tremblement gobo 7, lent à rapide
		088 ⇔ 091	Tremblement gobo 8, lent à rapide
		092 ⇔ 095	Tremblement gobo 9, lent à rapide
		096 ⇔ 099	Tremblement gobo 10, lent à rapide
		100 ⇔ 103	Tremblement gobo 11, lent à rapide
104 ⇔ 107	Tremblement gobo 12, lent à rapide		
108 ⇔ 111	Tremblement gobo 13, lent à rapide		
112 ⇔ 115	Tremblement gobo 14, lent à rapide		
116 ⇔ 119	Tremblement gobo 15, lent à rapide		
120 ⇔ 123	Tremblement gobo 16, lent à rapide		
124 ⇔ 127	Tremblement gobo 17, lent à rapide		
128 ⇔ 189	Défilement de gobo, rapide à lent		
190 ⇔ 193	Arrêt		
194 ⇔ 255	Défilement inverse de gobo, lent à rapide		
10	Prisme 1	000 ⇔ 004	Pas de fonction
		005 ⇔ 255	Insertion de prisme
11	Rotation de prisme 1	000 ⇔ 127	Indice de prismes
		128 ⇔ 189	Rotation horaire, rapide à lent
		190 ⇔ 193	Arrêt
		194 ⇔ 255	Rotation antihoraire, lent à rapide
12	Prisme 2	000 ⇔ 004	Pas de fonction
		005 ⇔ 255	Indice de prismes
13	Rotation de prisme 2	000 ⇔ 127	Indice de prismes
		128 ⇔ 189	Rotation horaire, rapide à lent
		190 ⇔ 193	Arrêt
		194 ⇔ 255	Rotation antihoraire, lent à rapide
14	Givre	000 ⇔ 255	0–100%
15	Focus	000 ⇔ 255	0–100%

Canal	Fonction	Valuer	Pourcentage/Configuration
16	Commande	000 ⇔ 069	Pas de fonction
		070 ⇔ 079	Activez la coupure panoramique/inclinaison
		080 ⇔ 089	Désactivez la coupure panoramique/inclinaison
		090 ⇔ 099	Activez la coupure pendant que la roue de couleur se déplace
		100 ⇔ 109	Désactivez la panne de roue de couleur
		110 ⇔ 119	Activez le blackout pendant que les roues de gobos se déplacent
		120 ⇔ 129	Désactivez la panne de roue de gobos
		130 ⇔ 139	Lampe allumée
		140 ⇔ 149	Réinitialisation panoramique/inclinaison
		150 ⇔ 159	Réinitialisation de la roue de couleur
		160 ⇔ 169	Réinitialisation de la roue de gobo
		170 ⇔ 179	Réinitialisation obturateur / prisme
		180 ⇔ 189	Pas de fonction
		190 ⇔ 199	Réinitialisation de la focus
		200 ⇔ 209	Tout réinitialiser
		210 ⇔ 219	Activer la fonction blackout all pendant le panoramique/l'inclinaison
		220 ⇔ 229	Désactiver la fonction blackout all pendant le panoramique/inclinaison
		230 ⇔ 239	Lampe éteinte
240 ⇔ 255	Pas de fonction		

Über diese Schnellanleitung

In der Schnellanleitung des Rogue R3 Beam finden Sie die wesentlichen Produktinformationen, wie etwa über die Montage, Menüoptionen und DMX-Werte des Geräts. Laden Sie für weiterführende Informationen unter www.chauvetprofessional.com das Benutzerhandbuch herunter.

Haftungsausschluss

Die in dieser Anleitung aufgeführten Informationen und Spezifikationen können ohne vorherige Ankündigung geändert werden.

EINGESCHRÄNKTE GARANTIE

ZUR REGISTRIERUNG FÜR GARANTIEANSPRÜCHE UND ZUR EINSICHT IN DIE VOLLSTÄNDIGEN GESCHÄFTSBEDINGUNGEN BESUCHEN SIE BITTE UNSERE WEBSITE.

Für Kunden in den USA und in Mexiko: www.chauvetlighting.com/warranty-registration.

Für Kunden im Vereinigten Königreich, in Irland, Belgien, den Niederlanden, Luxemburg, Frankreich und Deutschland: www.chauvetlighting.eu/warranty-registration.

Chauvet garantiert für die in der auf unserer Website veröffentlichten vollständigen eingeschränkten Garantie genannten Dauer und unter Vorbehalt der darin genannten Haftungsausschlüsse und -beschränkungen, dass dieses Produkt bei normalen Gebrauch frei von Material- und Verarbeitungsfehlern ist. Diese Garantie erstreckt sich nur auf den Erstkäufer des Produkts und ist nicht übertragbar. Zur Ausübung der unter dieser Garantie gewährten Rechte ist der Kaufbeleg in Form der Originalrechnung von einem autorisierten Händler vorzulegen, in der die Produktbezeichnung und das Kaufdatum vermerkt sein müssen. **ES BESTEHEN KEINE WEITEREN AUSDRÜCKLICHEN ODER STILLSCHWEIGENDEN GARANTIEN.** Diese Garantie gibt Ihnen besondere gesetzliche Rechte. Und Sie haben möglicherweise weitere Rechte, die von Land zu Land unterschiedlich sein können. Diese Garantie ist nur in den USA, im Vereinigten Königreich, in Irland, Belgien, den Niederlanden, Luxemburg, Frankreich, Deutschland und Mexiko gültig. Bezüglich der Garantiebestimmungen in anderen Ländern wenden Sie sich bitte an Ihren lokalen Händler.

Sicherheitshinweise

- Dieses Gerät NICHT öffnen. Die eingebauten Komponenten sind für den Kunden wartungsfrei.
- NIEMALS in die Lichtquelle schauen, während das Gerät eingeschaltet ist.
- NIEMALS das Gerät in Betrieb nehmen, wenn Ihnen das Gehäuse, die Linsen oder das Kabel beschädigt erscheinen.
- Schließen Sie dieses Gerät NICHT an einen Dimmer oder Regelwiderstand an.
- Schließen Sie dieses Produkt NUR an einen mit der Erde verbundenen und geschützten Stromkreis an.
- Nehmen sie das Gerät NICHT im Freien oder an einem Ort in Betrieb, der durch Staubentwicklung, übermäßige Hitze, Wasser oder hohe Luftfeuchtigkeit charakterisiert ist (IP20).
- VORSICHT: Beim Transport des Geräts von einer Umgebung mit außergewöhnlichen Temperaturen in eine andere solche Umgebung (z. B. aus einem kalten Transporter in einen warm-feuchten Ballsaal) kann an der im Gerät enthaltenen Elektronik Wasser kondensieren. Um einen Defekt zu vermeiden, muss sich das Gerät erst in der neuen Umgebung akklimatisiert haben, bevor es an die Stromversorgung angeschlossen werden kann.
- VORSICHT: Das Gehäuse dieses Produkts kann während des Betriebs heiß werden.
- Installieren Sie das Gerät an einem Ort mit ausreichender Belüftung und mit einem Abstand von mindestens 20 cm zu den angrenzenden Flächen.
- VERWENDEN Sie bei Montage über Kopf immer ein Sicherheitsseil.
- Das Gerät NUR an den Hänge-/Befestigungsbügeln oder Griffen tragen.
- Belassen Sie KEINE entflammaren Materialien in einem Umkreis von 50 cm dieses Geräts, während es in Betrieb oder an der Stromversorgung angeschlossen ist.
- Um unnötigen Verschleiß zu vermeiden und die Lebensdauer des Geräts zu verlängern, trennen Sie während längerer Perioden des Nichtgebrauchs das Gerät vom Stromnetz – entweder per Trennschalter oder durch Herausziehen des Steckers aus der Steckdose.
- Bei ernsthaften Betriebsproblemen stoppen Sie umgehend die Verwendung des Geräts.
- Die maximal zulässige Umgebungstemperatur beträgt 45 °C. Nehmen Sie das Gerät nicht bei höheren Temperaturen in Betrieb.
- Die Leuchte sollte so positioniert werden, dass ein langes starres Schauen in die Leuchte in einem Abstand von weniger als 8 m nicht zu erwarten ist.
- Ist das externe flexible Kabel dieser Leuchte beschädigt, muss es durch ein gleichwertiges Kabel oder ein ausschließlich vom Hersteller oder dessen Vertriebspartner erhältliches Kabel ersetzt werden.
- Das in dieser Leuchte enthaltene Leuchtmittel darf nur vom Hersteller oder dessen Vertriebspartner oder einer ähnlich qualifizierten Person ausgetauscht werden.
- Die Leuchte ist ausschließlich für den professionellen Einsatz bestimmt.

FCC-Konformität

Dieses Gerät erfüllt Teil 15, Teil B, der FCC-Bestimmungen. Der Betrieb ist an folgende zwei Bedingungen geknüpft:

1. Dieses Gerät darf keine schädlichen Interferenzen verursachen, und
2. Dieses Gerät muss empfangende Interferenzen aufnehmen können, auch Interferenzen, die eventuell einen unerwünschten Betrieb verursachen.

Jegliche Änderungen oder Modifikationen, die nicht ausdrücklich von der Partei genehmigt wurden, die für die Compliance zuständig ist, könnten die Berechtigung des Benutzers zum Betrieb dieses Geräts aufheben.

Kontakt

Kunden außerhalb der USA, GB, Irland, Benelux, Frankreich, Deutschland oder Mexiko wenden sich an ihren Lieferanten, um den Kundensupport in Anspruch zu nehmen oder ein Produkt zurückzuschicken. Kontaktinformationen finden Sie im [Contact Us](#) am Ende dieses QRG.

Packungsinhalt

- Rogue R3 Beam mit Blendschutz
- Neutrik® powerCON® Netzkabel
- 2 Omega-Hängebügel mit Montagmaterial
- Schnellanleitung

Wechselstrom

Dieses Gerät verfügt über ein Vorschaltgerät, das automatisch die anliegende Spannung erkennt, sobald der Netzstecker in die Schukosteckdose gesteckt wird, und kann mit einer Eingangsspannung von 100~240 V AC, 50/60 Hz arbeiten.

Serienschaltung der Geräte

Sie können bis zu 3 Rogue R3 Beam-Geräte bei 120 V AC, 6 Geräte 208 V AC, oder 7 Geräte 230 V AC in Serie schalten. Diese Anzahl niemals überschreiten! Stromkabel für die Serienschaltung können separat erworben werden.

Wechselstromstecker

Anschluss	Draht (USA)	Draht (Europa)	Schraubenfarbe
Stromführender AC-Leiter	Schwarz	Braun	Gelb/Messingfarben
AC-Neutralleiter	Weiß	Blau	Silber
AC-Erdungsleiter	Grün/Gelb	Grün/Gelb	Grün



Um unnötigen Verschleiß zu vermeiden und die Lebensdauer des Geräts zu verlängern, trennen Sie während längerer Perioden des Nichtgebrauchs das Gerät vom Stromnetz – entweder per Trennschalter oder durch Herausziehen des Steckers aus der Steckdose.

Auswechseln der Sicherung

1. Trennen Sie das Gerät vom Stromnetz.
2. Mit einem Flachkopfschraubendreher lösen Sie die Abdeckung des Sicherungshalters vom Gehäuse.
3. Entfernen Sie die durchgebrannte Sicherung, und ersetzen Sie diese durch eine Sicherung des gleichen Typs und mit den gleichen Werten.
4. Schrauben Sie die Abdeckung der Sicherung wieder ein, und schließen Sie das Gerät wieder an das Stromnetz an.

DMX-Verbindung

Der Rogue R3 Beam kann mit einem DMX-Controller betrieben werden, wenn eine 3- oder 5-polige DMX-Serienschaltung zum Einsatz kommt. Sie können sich eine Einführung in DMX unter www.chauvetprofessional.com herunterladen.

DMX-Anschluss

Der Rogue R3 Beam nutzt zur seiner Kontrollpersönlichkeiten: **16CH** und **19CH** eine 3- oder 5-polige DMX-Datenverbindung. Informationen zum Anschließen und Konfigurieren des Geräts für einen DMX-Betrieb finden Sie in der Bedienungsanleitung.

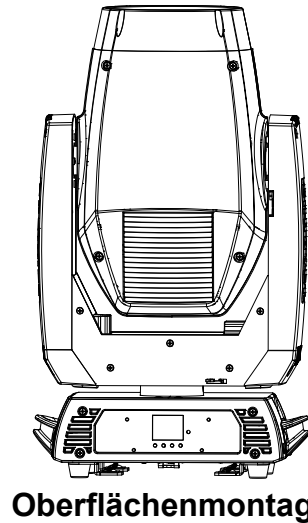
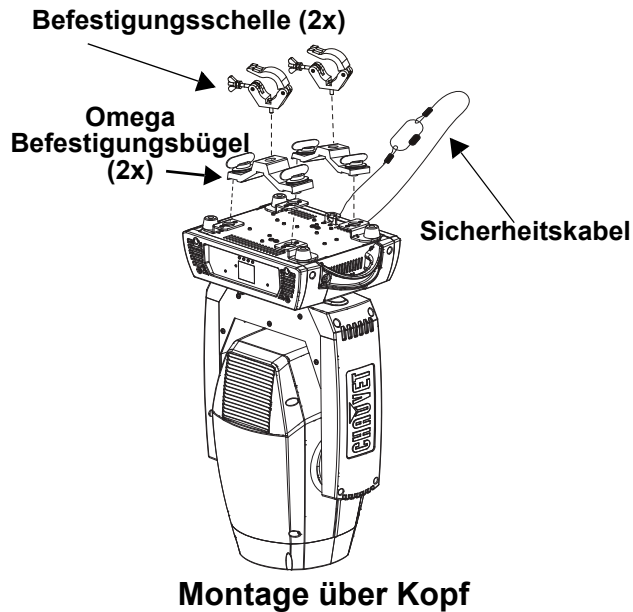
RDM (Remote Device Management)

Remote Device Management bzw. RDM ist ein Standard, mit dem DMX-aktivierte Geräte bidirektional entlang bestehender DMX-Kabel kommunizieren können. Lesen Sie die Bedienungsanleitung des DMX-Controllers oder wenden Sie sich an den Hersteller, da nicht alle DMX-Controller über diese Funktion verfügt. Der Rogue R3 Beam unterstützt das RDM-Protokoll, das ein Feedback zur Vornahme von Änderungen der Menüoptionen erlaubt. Laden Sie für weiterführende Informationen unter www.chauvetprofessional.com das Benutzerhandbuch herunter.

Montage

Lesen Sie vor der Montage dieses Geräts die [Sicherheitshinweise](#) durch. Mindestens ein Befestigungspunkt pro Gerät verwenden. Stellen Sie sicher, dass die Befestigungsklemmen dafür ausgelegt sind, das Produktgewicht tragen zu können. Informationen zu unserer CHAUVET-Produktlinie für Befestigungsklemmen finden Sie unter <http://trusst.com/productcategory/truss-clamps/>.

Montageansicht



Beschreibung des Bedienfeldes

Taste	Funktion
<MENU>	Damit verlassen Sie das aktuelle Menü oder die Funktion
<ENTER>	Damit wird das aktuell angezeigte Menü aktiviert oder der aktuell ausgewählte Wert einer Funktion eingestellt
<UP>	Damit navigieren Sie sich durch die Menüpunkte nach oben und erhöhen den numerischen Wert der entsprechenden Funktion
<DOWN>	Damit navigieren Sie sich durch die Menüpunkte nach unten und verringern den numerischen Wert der entsprechenden Funktion

Menüstruktur

Die neueste Menükarte finden Sie auf der Rogue R3 Beam-produktseite unter www.chauvetprofessional.com

Hauptebene	Programmirebenen		Beschreibung	
Address	001–512		Stellt die Startadresse ein	
Run Mode	DMX	16CH	Wählt die DMX-Persönlichkeit aus	
		19CH		
	Auto Test		Automatischer Test aller Funktionen	
	Manual Test	Pan	000–255	Ermöglicht die manuelle Steuerung aller Einstellungen vom Bedienfeld aus
		Pan Fine		
		Tilt		
		Tilt Fine		
		P/T Speed		
		Dimmer		
		Dimmer Fine		
		Shutter		
		Color		
		Gobo		
		Prism1		
		Prism1 Rot		
		Prism2		
		Prism2 Rot		
Frost				
Focus				
P/T Macro				
P/T Ma. Speed				
Special Function				
Setup	Pan Reverse	NO	Normaler Schwenk-Modus	
		YES	Umgekehrter Schwenk-Modus	
	Tilt Reverse	NO	Normaler Neigungs-Modus	
		YES	Umgekehrter Neigungs-Modus	
	Screen Reverse	NO	Normale Ansicht des Steuerungsbildschirm	
		YES	Dreht Ansicht des Steuerungsbildschirm um 180°	
	Pan Angle	540	Wählt den 540°-Schwenkwinkelbereich aus	
		360	Wählt den 360°-Schwenkwinkelbereich aus	
		180	Wählt den 180°-Schwenkwinkelbereich aus	
	Tilt Angle	270	Wählt den 270°-Neigungswinkelbereich aus	
		180	Wählt den 180°-Neigungswinkelbereich aus	
		90	Wählt den 90°-Neigungswinkelbereich aus	
BL. O. P/T Move	YES	Während Schwenkung/Neigung verdunkeln		
	NO	Während Schwenkung/Neigung nicht verdunkeln		
BL. O. Color Move	YES	Während das Farbrad bewegt verdunkeln		
	NO	Während das Farbrad bewegt nicht verdunkeln		
BL. O. Gobo Move	YES	Während das Goborad bewegt verdunkeln		
	NO	Während das Goborad bewegt nicht verdunkeln		

Hauptebene	Programmirebenen			Beschreibung
Setup	Lamp Settings	On/Off	ON	Schaltet die Lampe ein/aus
			OFF	
		State/ Power On	ON	Definiert beim Einschalten des Geräts den Status der Lampe
			OFF	
		Off via DMX	YES	Schaltet das Gerät über den DMX-Controller ab
			NO	
		On if DMX On	YES	Schaltet die Lampe ein, wenn ein DMX-Signal erkannt wurde
			NO	
		Off if DMX Off	YES	Schaltet die Lampe aus, wenn das DMX-Signal verloren wurde
	NO			
	Ignition Delay	000–255	Wählt die Verzögerungszeit zwischen Einschalten des Geräts und Einschalten der Lampe aus	
	Low Power Delay	000–255	Wählt die Verzögerungszeit zwischen Schließen des Shutters und Wechsel der Lampe in Niedrigenergie-Modus aus	
	Reset Lamp Time	YES	Setzt den Timer der Lampe auf 0 zurück	
		NO	Lässt die Lampe unverändert	
	Maintenance Timer	Interval	000–250	Definiert die Anzahl der Stunden zwischen den Wartungsarbeiten
		Remaining Time	NO	Zeigt die verbleibende Zeit im Wartungszyklus an
			RESET	Setzt die Zeit auf den Anfang zurück
	Reset Function	Pan/Tilt	YES/NO	Setzt einzelne oder alle Funktionen ab Start zurück
Shutter/ Prism				
Color				
Gobo				
Frost/ Focus				
All				
Factory Settings	YES		Setzt auf die standardmäßigen Werkseinstellungen zurück	
	NO			
Sys Info	System Information	Ver	V_	Zeigt die Firmware-Version an
		Running Mode	---	Zeigt den aktuellen Betriebsmodus an
		DMX Address	---	Zeigt aktuelle Persönlichkeit
		Temperature	---	Zeigt die aktuelle Temperatur in °C an
		Lamp On Time	-----	Zeigt an, wie lange die Lampe eingeschaltet war (vorausgesetzt, der Zähler wurde bei der Installation einer neuen Lampe zurückgesetzt)
		Remain Time	-----	Zeigt die verbleibende Zeit im Wartungszyklus an
		UID	-----	Zeigt die Produkt-UID an
		Fan1 Speed	-----	Zeigt die Geschwindigkeit von Lüfter 1 an
		Fan2 Speed	-----	Zeigt die Geschwindigkeit von Lüfter 2 an

DE

DMX Werte

19CH

Kanal	Funktion	Wert	Prozent/Einstellung
1	Schwenkung	000 ⇔ 255	0–100%
2	Feinschwenkung	000 ⇔ 255	Feinkontrolle (16-Bit)
3	Neigung	000 ⇔ 255	0–100%
4	Feinneigung	000 ⇔ 255	Feinkontrolle (16-Bit)
5	S/N Geschwindigkeit	000 ⇔ 255	Schwenkung/Neigung Geschwindigkeit, schnell bis langsam
6	Dimmer	000 ⇔ 255	0–100%
7	Dimmer fein	000 ⇔ 255	Feinkontrolle (16-Bit)
8	Stroboskop	000 ⇔ 007	Aus
		008 ⇔ 015	Ein
		016 ⇔ 131	Synchronisierung des Stroboskopeffekts, langsam bis schnell
		132 ⇔ 167	Schnell schließen, langsam öffnen (langsam bis schnell)
		168 ⇔ 203	Langsam schließen, schnell öffnen (langsam bis schnell)
		204 ⇔ 239	Pulse-Stroboskopeffekt, langsam bis schnell
		240 ⇔ 247	Zufälliger Blitz, langsam bis schnell
248 ⇔ 255	Ein		
9	Farbkreis	000 ⇔ 004	Öffnen
		005 ⇔ 008	Rot
		009 ⇔ 012	Orange
		013 ⇔ 016	Cyan
		017 ⇔ 020	Hellgrün
		021 ⇔ 024	Hellgelb
		025 ⇔ 028	Lavendelfarben
		029 ⇔ 032	Rosa
		033 ⇔ 036	Gelb
		037 ⇔ 040	Magenta
		041 ⇔ 044	Hellblau
		045 ⇔ 048	Bernstein
		049 ⇔ 052	CTO 5600K
		053 ⇔ 056	CTO 6500K
		057 ⇔ 060	UV
		061 ⇔ 127	Farben teilen
		128 ⇔ 189	Farbrolle im Uhrzeigersinn, schnell bis langsam
190 ⇔ 193	Anhalten		
194 ⇔ 255	Farbrolle gegen den Uhrzeigersinn, langsam bis schnell		

Kanal	Funktion	Wert	Prozent/Einstellung
10	Statisches Goborad	000 ⇔ 003	Öffnen
		004 ⇔ 006	Gobo 1
		007 ⇔ 009	Gobo 2
		010 ⇔ 012	Gobo 3
		013 ⇔ 015	Gobo 4
		016 ⇔ 018	Gobo 5
		019 ⇔ 021	Gobo 6
		022 ⇔ 024	Gobo 7
		025 ⇔ 027	Gobo 8
		028 ⇔ 030	Gobo 9
		031 ⇔ 033	Gobo 10
		034 ⇔ 036	Gobo 11
		037 ⇔ 039	Gobo 12
		040 ⇔ 042	Gobo 13
		043 ⇔ 045	Gobo 14
		046 ⇔ 048	Gobo 15
		049 ⇔ 051	Gobo 16
		052 ⇔ 055	Gobo 17
		056 ⇔ 059	Öffnen
		060 ⇔ 063	Gobo 1 schütteln, von langsam nach schnell
		064 ⇔ 067	Gobo 2 schütteln, von langsam nach schnell
		068 ⇔ 071	Gobo 3 schütteln, von langsam nach schnell
		072 ⇔ 075	Gobo 4 schütteln, von langsam nach schnell
		076 ⇔ 079	Gobo 5 schütteln, von langsam nach schnell
		080 ⇔ 083	Gobo 6 schütteln, von langsam nach schnell
		084 ⇔ 087	Gobo 7 schütteln, von langsam nach schnell
		088 ⇔ 091	Gobo 8 schütteln, von langsam nach schnell
		092 ⇔ 095	Gobo 9 schütteln, von langsam nach schnell
		096 ⇔ 099	Gobo 10 schütteln, von langsam nach schnell
		100 ⇔ 103	Gobo 11 schütteln, von langsam nach schnell
104 ⇔ 107	Gobo 12 schütteln, von langsam nach schnell		
108 ⇔ 111	Gobo 13 schütteln, von langsam nach schnell		
112 ⇔ 115	Gobo 14 schütteln, von langsam nach schnell		
116 ⇔ 119	Gobo 15 schütteln, von langsam nach schnell		
120 ⇔ 123	Gobo 16 schütteln, von langsam nach schnell		
124 ⇔ 127	Gobo 17 schütteln, von langsam nach schnell		
128 ⇔ 189	Gobo-Scroll im Uhrzeigersinn, schnell bis langsam		
190 ⇔ 193	Anhalten		
194 ⇔ 255	Gobo-Scroll gegen den Uhrzeigersinn, langsam bis schnell		
11	Prisma 1	000 ⇔ 004	Keine Funktion
		005 ⇔ 255	Prismeneinsatz
12	Prisma 1 Rotation	000 ⇔ 127	Prisma-Indexierung
		128 ⇔ 189	Rotation im Uhrzeigersinn, langsam bis schnell
		190 ⇔ 193	Anhalten
		194 ⇔ 255	Rotation entgegen den Uhrzeigersinn, schnell bis langsam
13	Prisma 2	000 ⇔ 004	Keine Funktion
		005 ⇔ 255	Prismeindex
14	Prisma 2 Rotation	000 ⇔ 127	Prisma-Indexierung
		128 ⇔ 189	Rotation im Uhrzeigersinn, langsam bis schnell
		190 ⇔ 193	Anhalten
		194 ⇔ 255	Rotation entgegen den Uhrzeigersinn, schnell bis langsam
15	Frosteffekt	000 ⇔ 255	0–100%
16	Fokus	000 ⇔ 255	0–100%

Kanal	Funktion	Wert	Prozent/Einstellung
17	Bewegungsmakros	000 ⇔ 007	Keine Funktion
		008 ⇔ 015	Effekt 1
		016 ⇔ 023	Effekt 2
		024 ⇔ 031	Effekt 3
		032 ⇔ 039	Effekt 4
		040 ⇔ 047	Effekt 5
		048 ⇔ 055	Effekt 6
		056 ⇔ 063	Effekt 7
		064 ⇔ 071	Effekt 8
		072 ⇔ 079	Effekt 9
		080 ⇔ 087	Effekt 10
		088 ⇔ 095	Effekt 11
		096 ⇔ 103	Effekt 12
		104 ⇔ 111	Effekt 13
		112 ⇔ 119	Effekt 14
		120 ⇔ 127	Effekt 15
		128 ⇔ 135	Effekt 16
		136 ⇔ 143	Effekt 17
		144 ⇔ 151	Effekt 18
		152 ⇔ 159	Effekt 19
		160 ⇔ 167	Effekt 20
		168 ⇔ 175	Effekt 21
		176 ⇔ 183	Effekt 22
		184 ⇔ 191	Effekt 23
		192 ⇔ 199	Effekt 24
		200 ⇔ 207	Effekt 25
		208 ⇔ 215	Effekt 26
		216 ⇔ 223	Effekt 27
		224 ⇔ 231	Effekt 28
		232 ⇔ 239	Effekt 29
		240 ⇔ 247	Effekt 30
248 ⇔ 255	Effekt 31		
18	Geschwindigkeit der Bewegungsmakros	000 ⇔ 255	0–100%
19	Steuerung	000 ⇔ 069	Keine Funktion
		070 ⇔ 079	Verdunkelung während Schwenkung/Neigung aktivieren
		080 ⇔ 089	Verdunkelung während Schwenkung/Neigung deaktivieren
		090 ⇔ 099	Verdunkelung während Bewegung des Farbrads aktivieren
		100 ⇔ 109	Verdunkelung während Bewegung des Farbrads deaktivieren
		110 ⇔ 119	Verdunkelung während Bewegung des Goborads aktivieren
		120 ⇔ 129	Verdunkelung während Bewegung des Goborads deaktivieren
		130 ⇔ 139	Lampe an
		140 ⇔ 149	Zurücksetzen von Schwenkung/Neigung
		150 ⇔ 159	Zurücksetzen der Farbe
		160 ⇔ 169	Zurücksetzen des Gobos
		170 ⇔ 179	Zurücksetzen von Strobe/Prisma
		180 ⇔ 189	Keine Funktion
		190 ⇔ 199	Zurücksetzen von Fokus
		200 ⇔ 209	Alle zurücksetzen
		210 ⇔ 219	Verdunkelung aktiviert
		220 ⇔ 229	Verdunkelung deaktiviert
230 ⇔ 239	Lampe aus		
240 ⇔ 247	Keine Funktion		

16CH

Kanal	Funktion	Wert	Prozent/Einstellung
1	Schwenkung	000 ⇔ 255	0–100%
2	Feinschwenkung	000 ⇔ 255	Feinkontrolle (16-Bit)
3	Neigung	000 ⇔ 255	0–100%
4	Feinneigung	000 ⇔ 255	Feinkontrolle (16-Bit)
5	S/N Geschwindigkeit	000 ⇔ 255	Schwenkung/Neigung Geschwindigkeit, schnell bis langsam
6	Dimmer	000 ⇔ 255	0–100%
7	Stroboskop	000 ⇔ 007	Aus
		008 ⇔ 015	Ein
		016 ⇔ 131	Synchronisierung des Stroboskopeffekts, langsam bis schnell
		132 ⇔ 167	Schnell schließen, langsam öffnen (langsam bis schnell)
		168 ⇔ 203	Langsam schließen, schnell öffnen (langsam bis schnell)
		204 ⇔ 239	Pulse-Stroboskopeffekt, langsam bis schnell
		240 ⇔ 247	Zufälliger Blitz, langsam bis schnell
		248 ⇔ 255	Ein
8	Farbkreis	000 ⇔ 004	Öffnen
		005 ⇔ 008	Rot
		009 ⇔ 012	Orange
		013 ⇔ 016	Cyan
		017 ⇔ 020	Hellgrün
		021 ⇔ 024	Hellgelb
		025 ⇔ 028	Lavendelfarben
		029 ⇔ 032	Rosa
		033 ⇔ 036	Gelb
		037 ⇔ 040	Magenta
		041 ⇔ 044	Hellblau
		045 ⇔ 048	Bernstein
		049 ⇔ 052	CTO 5600K
		053 ⇔ 056	CTO 6500K
		057 ⇔ 060	UV
		061 ⇔ 127	Farben teilen
		128 ⇔ 189	Farbrolle im Uhrzeigersinn, schnell bis langsam
		190 ⇔ 193	Anhalten
		194 ⇔ 255	Farbrolle gegen den Uhrzeigersinn, langsam bis schnell

Kanal	Funktion	Wert	Prozent/Einstellung
9	Statisches Goborad	000 ⇔ 003	Öffnen
		004 ⇔ 006	Gobo 1
		007 ⇔ 009	Gobo 2
		010 ⇔ 012	Gobo 3
		013 ⇔ 015	Gobo 4
		016 ⇔ 018	Gobo 5
		019 ⇔ 021	Gobo 6
		022 ⇔ 024	Gobo 7
		025 ⇔ 027	Gobo 8
		028 ⇔ 030	Gobo 9
		031 ⇔ 033	Gobo 10
		034 ⇔ 036	Gobo 11
		037 ⇔ 039	Gobo 12
		040 ⇔ 042	Gobo 13
		043 ⇔ 045	Gobo 14
		046 ⇔ 048	Gobo 15
		049 ⇔ 051	Gobo 16
		052 ⇔ 055	Gobo 17
		056 ⇔ 059	Öffnen
		060 ⇔ 063	Gobo 1 schütteln, von langsam nach schnell
		064 ⇔ 067	Gobo 2 schütteln, von langsam nach schnell
		068 ⇔ 071	Gobo 3 schütteln, von langsam nach schnell
		072 ⇔ 075	Gobo 4 schütteln, von langsam nach schnell
		076 ⇔ 079	Gobo 5 schütteln, von langsam nach schnell
		080 ⇔ 083	Gobo 6 schütteln, von langsam nach schnell
		084 ⇔ 087	Gobo 7 schütteln, von langsam nach schnell
		088 ⇔ 091	Gobo 8 schütteln, von langsam nach schnell
		092 ⇔ 095	Gobo 9 schütteln, von langsam nach schnell
		096 ⇔ 099	Gobo 10 schütteln, von langsam nach schnell
		100 ⇔ 103	Gobo 11 schütteln, von langsam nach schnell
		104 ⇔ 107	Gobo 12 schütteln, von langsam nach schnell
		108 ⇔ 111	Gobo 13 schütteln, von langsam nach schnell
		112 ⇔ 115	Gobo 14 schütteln, von langsam nach schnell
116 ⇔ 119	Gobo 15 schütteln, von langsam nach schnell		
120 ⇔ 123	Gobo 16 schütteln, von langsam nach schnell		
124 ⇔ 127	Gobo 17 schütteln, von langsam nach schnell		
128 ⇔ 189	Gobo-Scroll im Uhrzeigersinn, schnell bis langsam		
190 ⇔ 193	Anhalten		
194 ⇔ 255	Gobo-Scroll gegen den Uhrzeigersinn, langsam bis schnell		
10	Prisma 1	000 ⇔ 004	Keine Funktion
		005 ⇔ 255	Prismeneinsatz
11	Prisma 1 Rotation	000 ⇔ 127	Prisma-Indexierung
		128 ⇔ 189	Rotation im Uhrzeigersinn, langsam bis schnell
		190 ⇔ 193	Anhalten
		194 ⇔ 255	Rotation entgegen den Uhrzeigersinn, schnell bis langsam
12	Prisma 2	000 ⇔ 004	Keine Funktion
		005 ⇔ 255	Prismeindex
13	Prisma 2 Rotation	000 ⇔ 127	Prisma-Indexierung
		128 ⇔ 189	Rotation im Uhrzeigersinn, langsam bis schnell
		190 ⇔ 193	Anhalten
		194 ⇔ 255	Rotation entgegen den Uhrzeigersinn, schnell bis langsam
14	Frosteffekt	000 ⇔ 255	0–100%
15	Fokus	000 ⇔ 255	0–100%

Kanal	Funktion	Wert	Prozent/Einstellung
		000 ⇔ 069	Keine Funktion
		070 ⇔ 079	Verdunkelung während Schwenkung/Neigung aktivieren
		080 ⇔ 089	Verdunkelung während Schwenkung/Neigung deaktivieren
		090 ⇔ 099	Verdunkelung während Bewegung des Farbrads aktivieren
		100 ⇔ 109	Verdunkelung während Bewegung des Farbrads deaktivieren
		110 ⇔ 119	Verdunkelung während Bewegung des Goborads aktivieren
		120 ⇔ 129	Verdunkelung während Bewegung des Goborads deaktivieren
		130 ⇔ 139	Lampe an
		140 ⇔ 149	Zurücksetzen von Schwenkung/Neigung
	Steuerung	150 ⇔ 159	Zurücksetzen der Farbe
		160 ⇔ 169	Zurücksetzen des Gobos
		170 ⇔ 179	Zurücksetzen von Strobe/Prisma
		180 ⇔ 189	Keine Funktion
		190 ⇔ 199	Zurücksetzen von Fokus
		200 ⇔ 209	Alle zurücksetzen
		210 ⇔ 219	Verdunkelung aktiviert
		220 ⇔ 229	Verdunkelung deaktiviert
		230 ⇔ 239	Lampe aus
		240 ⇔ 247	Keine Funktion

Over deze handleiding

De Rogue R3 Beam Beknopte Handleiding (BH) bevat basisinformatie over het product, zoals aansluiting, montage, menu-opties en DMX-waarden. Download de gebruikershandleiding op www.chauvetprofessional.com voor meer informatie.

Disclaimer

De informatie en specificaties in deze BH kunnen zonder voorafgaande kennisgeving worden gewijzigd.

BEPERKTE GARANTIE

GA NAAR ONZE WEBSITE VOOR REGISTRATIE VAN DE GARANTIE EN DE VOLLEDIGE ALGEMENE VOORWAARDEN.

Voor klanten in de Verenigde Staten en Mexico: www.chauvetlighting.com/warranty-registration.

Voor klanten in het Verenigd Koninkrijk, Ierland, België, Nederland, Luxemburg, Frankrijk en Duitsland: www.chauvetlighting.eu/warranty-registration.

Chauvet garandeert dat dit product bij normaal gebruik vrij zal blijven van defecten in materiaal en vakmanschap, voor de opgegeven periode en onder voorbehoud van de uitzonderingen en beperkingen die zijn uiteengezet in de volledige beperkte garantie op onze website. Deze garantie geldt uitsluitend voor de oorspronkelijke koper van het product en is niet overdraagbaar. Om onder deze garantie rechten uit te oefenen, moet u een aankoopbewijs overleggen in de vorm van een origineel verkoopbewijs van een geautoriseerde dealer, waarop de naam van het product en de aankoopdatum zichtbaar zijn. ER ZIJN GEEN ANDERE EXPLICIETE OF IMPLICIETE GARANTIES. Deze garantie geeft u specifieke wettelijke rechten. Mogelijk heeft u ook andere rechten die van staat tot staat en van land tot land verschillen. Deze garantie is uitsluitend geldig in de Verenigde Staten, het Verenigd Koninkrijk, Ierland, België, Nederland, Luxemburg, Frankrijk, Duitsland en Mexico. Neem contact op met uw lokale verkoper voor garantievoorwaarden in andere landen.

Veiligheidsinstructies

- Open het product NIET. Het bevat geen te onderhouden onderdelen.
- KIJK NIET in de lichtbron wanneer het apparaat is ingeschakeld.
- Gebruik dit product NIET als de behuizing, lenzen of kabels beschadigd lijken.
- Sluit dit product NIET aan op een dimmer of een regelweerstand.
- Sluit dit product UITSLUITEND op een geaard en beveiligd stroomcircuit.
- Gebruik UITSLUITEND de montagebeugels of de hendels om dit product te dragen. Draag het product niet aan de bewegende kop.
- Gebruik dit product NIET buitenshuis of op een locatie waar stof, grote warmte, water of vochtigheid het kunnen beïnvloeden (IP20).
- LET OP: Bij het verplaatsen van het product uit extreme omgevingen, (bijv. koude vrachtwagen naar warme, vochtige balzaal) kan er condensvorming optreden op de elektronica van het product. Om storingen te vermijden moet het product volledig kunnen acclimatiseren aan de omgeving voordat het op stroom wordt aangesloten.
- LET OP: De behuizing van dit product kan heet zijn wanneer het in bedrijf is.
- Plaats geen ontvlambaar materiaal binnen 20 cm van dit product als het in gebruik is of is aangesloten op het stopcontact.
- GEBRUIK een veiligheidskabel bij het boven het hoofd plaatsen van dit product.
- Monteer dit product op een plek met voldoende ventilatie, ten minste 50 cm van de aangrenzende oppervlakken.
- Om onnodige slijtage te elimineren en zijn levensduur te verlengen, gedurende perioden wanneer het product niet wordt gebruikt, moet u het product van de stroom afsluiten door een aardlekschakelaar om te zetten of door het te ontkoppelen.
- Stop in het geval van ernstige operationele problemen onmiddellijk met het gebruik.
- De maximale omgevingstemperatuur bedraagt 45 °C. Gebruik dit product niet bij hogere temperaturen.
- De armatuur moet zodanig geplaatst worden dat langdurig staren in de armatuur op een afstand van minder dan 8 m voorkomen wordt.
- Als de externe flexibele kabel of het snoer van deze armatuur beschadigd is, moet deze worden vervangen door een speciaal snoer of een snoer dat uitsluitend beschikbaar is bij de fabrikant of zijn onderhoudsagent.
- De lichtbron die in deze armatuur omvat is mag alleen vervangen worden door de fabrikant, of diens onderhoudsagent of een soortgelijk erkend persoon.
- De armatuur is uitsluitend bedoeld voor professioneel gebruik.

FCC-naleving

Dit apparaat voldoet aan Part 15 Part B van de FCC-regels. Het gebruik is onderworpen aan de volgende twee voorwaarden:

1. Dit apparaat mag geen schadelijke interferentie veroorzaken, en
2. Dit apparaat moet enige ontvangen interferentie accepteren, inclusief interferentie die een ongewenste werking kan veroorzaken.

Eventuele wijzigingen of aanpassingen die niet uitdrukkelijk door de voor naleving verantwoordelijke partij zijn goedgekeurd, kan de bevoegdheid van de gebruiker om de apparatuur te bedienen ongeldig verklaren.

Contact

Van buiten de VS, Verenigd Koninkrijk, Ierland, Benelux, Frankrijk, Duitsland of Mexico kunt u contact opnemen met de distributeur of om ondersteuning vragen dan wel het product retourneren. Raadpleeg [Contact Us](#) aan het einde van deze BH voor contactinformatie.

Wat is inbegrepen

- Rogue R3 Beam
- Neutrik® powerCON® stroomsnoer
- Omega-beugel met bevestigingsmateriaal
- Beknopte handleiding

AC-stroom

Dit product heeft een voeding met automatisch bereik die werkt met een ingangsspanning van 100–240 VAC, 50/60 Hz.

Power linking

U kunt tot 3 Rogue R3 Beam-producten koppelen bij 120 V, 6 producten bij 208 V of 7 producten bij 230 V. Dit aantal niet overschrijden. Power linking-snoeren kunnen apart aangeschaft worden.

AC-stekker

Aansluiting	Snoer (VS)	Snoer (Europa)	Schroefkleur
AC Live	Zwart	Bruin	Geel/messing
AC Neutraal	Wit	Blauw	Zilver
AC Aarde	Groen/geel	Groen/geel	Groen



Om onnodige slijtage te elimineren en zijn levensduur te verlengen, gedurende perioden wanneer het product niet wordt gebruikt, moet u het product van de stroom afsluiten door een aardlekschakelaar om te zetten of door het te ontkoppelen.

De zekering vervangen

1. Ontkoppel dit product van de stroom.
2. Gebruik een platkopschroevendraaier en schroef de kap van de zekeringshouder los van de behuizing.
3. Verwijder de doorgebrande zekering en vervang het met een werkende zekering van hetzelfde type en met dezelfde waarde.
4. Schroef de kap van de zekeringhouder terug en steek de stekker er weer in.

DMX-koppeling

De Rogue R3 Beam kan met een DMX-controller werken met een 3- of 5-pins DMX seriële verbinding. Op www.chauvetprofessional.com is een DMX basishandleiding verkrijgbaar.

DMX-aansluiting

De Rogue R3 Beam gebruikt een 3- of 5-pins DMX-gegevensverbinding voor zijn DMX-persoonlijkheden: **16CH** en **19CH**. Zie de gebruikershandleiding om te verbinden en te configureren voor DMX-werking.

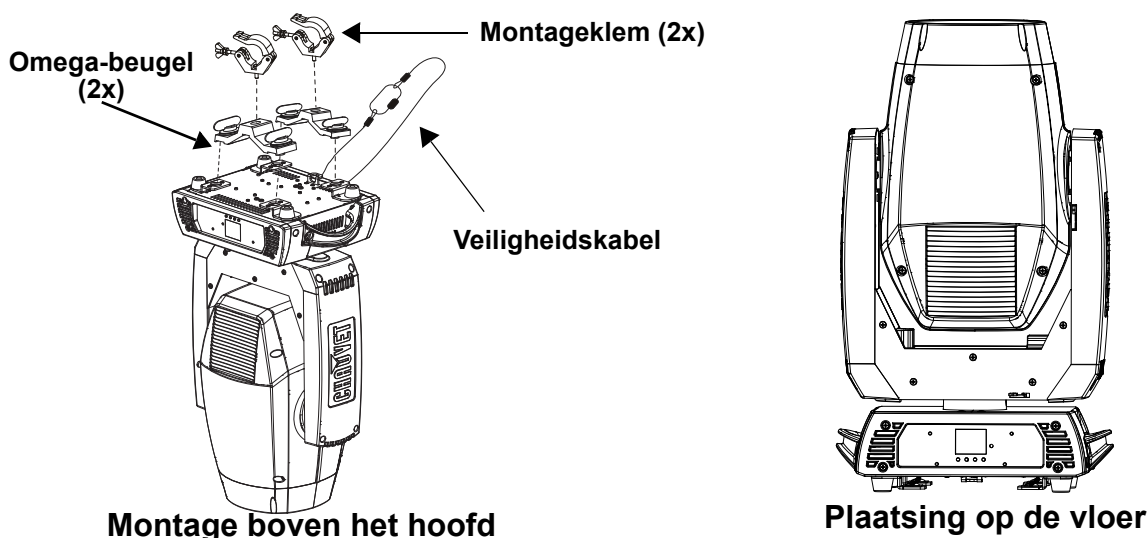
RDM (apparaatbeheer op afstand)

Remote Device Management of RDM (apparaatbeheer op afstand) is een standaard die het voor DMX-apparaten mogelijk maakt om in twee richtingen te communiceren over bestaande DMX-kabels. De Rogue R3 Beam ondersteunt het RDM-protocol dat zorgt feedback toelaat bij de bewaking van wijzigingen aan de menu map-opties van. Download de gebruikershandleiding op www.chauvetprofessional.com voor meer informatie.

Montage

Lees alvorens dit product te monteren alle [Veiligheidsinstructies](#). Gebruik ten minste één montagepunt per product. Controleer of de montageklem het gewicht van het product kan dragen. Ga voor onze Chauvet-serie montageklemmen naar <http://trusst.com/productcategory/truss-clamps/>.

Montagediagram van het product



Beschrijving bedieningspaneel

Toet	Functie
<MENU>	Sluit het huidige menu of functie af
<ENTER>	Activeert het huidige getoonde menu of plaatst de huidige geselecteerde waarde in de geselecteerde functie
<UP>	Navigeert omhoog via het menu of verhoogt de numerieke waarde wanneer in een functie
<DOWN>	Navigeert omlaag via het menu of verlaagt de numerieke waarde wanneer in een functie

Menumap

Raadpleeg de productpagina van der Rogue R3 Beam op www.chauvetprofessional.com voor de nieuwste menukaart.

Hoofdniveau	Programmeerniveaus		Beschrijving	
Address	001-512		Stelt het startadres in	
Run Mode	DMX	16CH	Selecteert de DMX-persoonlijkheid	
		19CH		
	Auto Test		Test alle functies automatisch	
	Manual Test	Pan	000-255	Test en regel alle instellingen handmatig via het bedieningspaneel
		Pan Fine		
		Tilt		
		Tilt Fine		
		P/T Speed		
		Dimmer		
		Dimmer Fine		
		Shutter		
		Color		
		Gobo		
		Prism1		
		Prism1 Rot		
		Prism2		
		Prism2 Rot		
Frost				
Focus				
P/T Macro				
P/T Ma. Speed				
Special Function				
Setup	Pan Reverse	NO	Normale zwenkbediening	
		YES	Omgekeerde zwenkbediening	
	Tilt Reverse	NO	Normale kantelbediening	
		YES	Omgekeerde kantelbediening	
	Screen Rev	NO	Display in normale oriëntatie	
		YES	Display in ondersteboven oriëntatie	
	Pan Angle	540	540° zwenkhoekbereik	
		360	360° zwenkhoekbereik	
		180	180° zwenkhoekbereik	
	Tilt Angle	270	270° kantelhoekbereik	
		180	180° kantelhoekbereik	
		90	90° kantelhoekbereik	
BL. O. P/T Move	YES	Verduisteren tijdens kantelen/zwenken		
	NO	Niet verduisteren tijdens kantelen/zwenken		
BL. O. Color Move	YES	Verduisteren tijdens kleurenwiel beweegt		
	NO	Niet verduisteren tijdens kleurenwiel beweegt		
BL. O. Gobo Move	YES	Verduisteren tijdens gobowielen beweegt		
	NO	Niet verduisteren tijdens gobowielen beweegt		

Hoofdniveau	Programmeerniveaus		Beschrijving	
Setup	Lamp Settings	On/Off	ON OFF	Schakelt lamp aan/uit
		State/Power On	ON OFF	Definieert de lampstatus bij het inschakelen van het product
		Off via DMX	YES NO	Schakelt het apparaat uit via de DMX-controller
		On if DMX On	YES NO	Schakelt de lamp aan wanneer het DMX-signaal is gedetecteerd
		Off if DMX Off	YES NO	Schakelt de lamp uit wanneer het DMX-signaal is verbroken
		Ignition Delay	000–255	Kiest de vertragingsduur tussen inschakeling van het product en inschakeling van de lamp
		Low Power Delay	000–255	Kiest de vertragingsduur wanneer de sluitersloten en de lamp naar een toestand van laag vermogen gaan
		Reset Lamp Time	YES NO	Reset de lamptijd naar 0 Laat de lamptijd ongewijzigd
	Maintenance Timer	Interval	000–250	Definieert aantal uren tussen onderhoud
		Remaining Time	NO	Toont hoeveelheid tijd die nog overblijft in de onderhoudscyclus
			RESET	Reset de tijd naar het begin
	Reset Function	Pan/Tilt	YES/NO	Reset individuele functies of alle functies vanaf het opstarten
		Shutter/Prism		
		Color		
		Gobo		
		Frost/Focus		
	Factory Settings		YES NO	Reset naar standaard fabrieksinstellingen
Sys Info	System Information	Ver	V_	Toont de softwareversie
		Running Mode	---	Toont de huidige
		DMX Address	---	Toont het huidige DMX-adres
		Temperature	---	Toont de producttemperatuur in graden °C
		Lamp On Time	----	Toont hoe lang de lamp al aan is (onder de voorwaarde dat de teller is gereset na installatie van die nieuwe lamp)
		Remain Time	-----	Toont hoeveelheid tijd die nog overblijft in de onderhoudscyclus
		UID	-----	Toont product-UID
		Fan1 Speed	-----	Toont snelheid van ventilator 1
		Fan2 Speed	-----	Toont snelheid van ventilator 2

NL

DMX-waarden

19CH

Kanaal	Functie	Waarde	Percentage/instelling
1	Zwenken	000 ⇔ 255	0–100%
2	Fijn zwenken	000 ⇔ 255	Fijne controle (16-bits)
3	Kantelen	000 ⇔ 255	0–100%
4	Fijn kantelen	000 ⇔ 255	Fijne controle (16-bits)
5	Zwenk-/kantelsnelheid	000 ⇔ 255	Snel tot langzaam
6	Dimmer	000 ⇔ 255	0–100%
7	Fijne dimmer	000 ⇔ 255	Fijne controle (16-bits)
8	Sluiter	000 ⇔ 007	Gesloten
		008 ⇔ 015	Open
		016 ⇔ 131	Gesynchroniseerde stroboscoop, langzaam tot snel
		132 ⇔ 167	Snel sluiten, langzaam open (langzaam tot snel)
		168 ⇔ 203	Langzaam sluiten, snel open (langzaam tot snel)
		204 ⇔ 239	Pulse stroboscoop, langzaam tot snel
		240 ⇔ 247	Willekeurige stroboscoop, langzaam tot snel
9	Kleurenwiel	248 ⇔ 255	Open
		000 ⇔ 004	Open
		005 ⇔ 008	Rood
		009 ⇔ 012	Orange
		013 ⇔ 016	Cyan
		017 ⇔ 020	Licht groen
		021 ⇔ 024	Licht geel
		025 ⇔ 028	Lavendel
		029 ⇔ 032	Roze
		033 ⇔ 036	Geel
		037 ⇔ 040	Magenta
		041 ⇔ 044	Lichtblauw
		045 ⇔ 048	Amber
		049 ⇔ 052	CTO 5600K
		053 ⇔ 056	CTO 6500K
		057 ⇔ 060	UV
		061 ⇔ 127	Gespleten kleuren
128 ⇔ 189	Kleurwijziging met de klok mee, snel tot langzaam		
190 ⇔ 193	Stop		
194 ⇔ 255	Kleurwijziging tegen de klok in, langzaam tot snel		

Kanaal	Functie	Waarde	Percentage/instelling
10	Statisch gobowiel	000 ⇔ 003	Open
		004 ⇔ 006	Gobo 1
		007 ⇔ 009	Gobo 2
		010 ⇔ 012	Gobo 3
		013 ⇔ 015	Gobo 4
		016 ⇔ 018	Gobo 5
		019 ⇔ 021	Gobo 6
		022 ⇔ 024	Gobo 7
		025 ⇔ 027	Gobo 8
		028 ⇔ 030	Gobo 9
		031 ⇔ 033	Gobo 10
		034 ⇔ 036	Gobo 11
		037 ⇔ 039	Gobo 12
		040 ⇔ 042	Gobo 13
		043 ⇔ 045	Gobo 14
		046 ⇔ 048	Gobo 15
		049 ⇔ 051	Gobo 16
		052 ⇔ 055	Gobo 17
		056 ⇔ 059	Open
		060 ⇔ 063	Gobo 1 schudden, langzaam tot snel
		064 ⇔ 067	Gobo 2 schudden, langzaam tot snel
		068 ⇔ 071	Gobo 3 schudden, langzaam tot snel
		072 ⇔ 075	Gobo 4 schudden, langzaam tot snel
		076 ⇔ 079	Gobo 5 schudden, langzaam tot snel
		080 ⇔ 083	Gobo 6 schudden, langzaam tot snel
		084 ⇔ 087	Gobo 7 schudden, langzaam tot snel
		088 ⇔ 091	Gobo 8 schudden, langzaam tot snel
		092 ⇔ 095	Gobo 9 schudden, langzaam tot snel
		096 ⇔ 099	Gobo 10 schudden, langzaam tot snel
		100 ⇔ 103	Gobo 11 schudden, langzaam tot snel
104 ⇔ 107	Gobo 12 schudden, langzaam tot snel		
108 ⇔ 111	Gobo 13 schudden, langzaam tot snel		
112 ⇔ 115	Gobo 14 schudden, langzaam tot snel		
116 ⇔ 119	Gobo 15 schudden, langzaam tot snel		
120 ⇔ 123	Gobo 16 schudden, langzaam tot snel		
124 ⇔ 127	Gobo 17 schudden, langzaam tot snel		
128 ⇔ 189	Gobowijziging met de klok mee, snel tot langzaam		
190 ⇔ 193	Stop		
194 ⇔ 255	Gobowijziging tegen de klok in, langzaam tot snel		
11	Prisma 1	000 ⇔ 004	Geen functie
		005 ⇔ 255	Inzetstuk van het prisma
12	Prisma 1 roteren	000 ⇔ 127	Prisma-index
		128 ⇔ 189	Rotatie met de klok mee, snel tot langzaam
		190 ⇔ 193	Stop
		194 ⇔ 255	Rotatie tegen de klok in, langzaam tot snel
13	Prisma 2	000 ⇔ 004	Geen functie
		005 ⇔ 255	Prism index
14	Prisma 2 roteren	000 ⇔ 127	Prisma-index
		128 ⇔ 189	Rotatie met de klok mee, snel tot langzaam
		190 ⇔ 193	Stop
		194 ⇔ 255	Rotatie tegen de klok in, langzaam tot snel
15	Frost	000 ⇔ 255	0–100%
16	Straaldefractie	000 ⇔ 255	0–100%

Kanaal	Functie	Waarde	Percentage/instelling
17	Bewegingsmacro's	000 ⇔ 007	Geen functie
		008 ⇔ 015	Effect 1
		016 ⇔ 023	Effect 2
		024 ⇔ 031	Effect 3
		032 ⇔ 039	Effect 4
		040 ⇔ 047	Effect 5
		048 ⇔ 055	Effect 6
		056 ⇔ 063	Effect 7
		064 ⇔ 071	Effect 8
		072 ⇔ 079	Effect 9
		080 ⇔ 087	Effect 10
		088 ⇔ 095	Effect 11
		096 ⇔ 103	Effect 12
		104 ⇔ 111	Effect 13
		112 ⇔ 119	Effect 14
		120 ⇔ 127	Effect 15
		128 ⇔ 135	Effect 16
		136 ⇔ 143	Effect 17
		144 ⇔ 151	Effect 18
		152 ⇔ 159	Effect 19
		160 ⇔ 167	Effect 20
		168 ⇔ 175	Effect 21
		176 ⇔ 183	Effect 22
		184 ⇔ 191	Effect 23
		192 ⇔ 199	Effect 24
		200 ⇔ 207	Effect 25
		208 ⇔ 215	Effect 26
		216 ⇔ 223	Effect 27
		224 ⇔ 231	Effect 28
		232 ⇔ 239	Effect 29
		240 ⇔ 247	Effect 30
248 ⇔ 255	Effect 31		
18	Beweging macrosnelheid	000 ⇔ 255	0–100%
19	Regeling	000 ⇔ 069	Geen functie
		070 ⇔ 079	Pan / tilt blackout inschakelen
		080 ⇔ 089	Schakel pan / tilt blackout uit
		090 ⇔ 099	Schakel blackout in terwijl het kleurenwiel beweegt
		100 ⇔ 109	Blackout van kleurenwiel uitschakelen
		110 ⇔ 119	Schakel blackout in terwijl gobowielen bewegen
		120 ⇔ 129	Schakel black-out van gobowiel uit
		130 ⇔ 139	Lamp aan
		140 ⇔ 149	Pan / tilt reset
		150 ⇔ 159	Kleurenwiel resetten
		160 ⇔ 169	Gobo wiel reset
		170 ⇔ 179	Sluiter / prisma opnieuw ingesteld
		180 ⇔ 189	Geen functie
		190 ⇔ 199	Focus opnieuw ingesteld
		200 ⇔ 209	Alles gereset
		210 ⇔ 219	Schakel alle blackout-functies in tijdens pan / tilt
		220 ⇔ 229	Schakel blackout alle functies uit tijdens pan / tilt
230 ⇔ 239	Lamp uit		
240 ⇔ 255	Geen functie		

16CH

Kanaal	Functie	Waarde	Percentage/instelling
1	Zwenken	000 ⇔ 255	0–100%
2	Fijn zwenken	000 ⇔ 255	Fijne controle (16-bits)
3	Kantelen	000 ⇔ 255	0–100%
4	Fijn kantelen	000 ⇔ 255	Fijne controle (16-bits)
5	Zwenk-/kantelsnelheid	000 ⇔ 255	Snel tot langzaam
6	Dimmer	000 ⇔ 255	0–100%
7	Sluiter	000 ⇔ 007	Gesloten
		008 ⇔ 015	Open
		016 ⇔ 131	Gesynchroniseerde stroboscoop, langzaam tot snel
		132 ⇔ 167	Snel sluiten, langzaam open (langzaam tot snel)
		168 ⇔ 203	Langzaam sluiten, snel open (langzaam tot snel)
		204 ⇔ 239	Pulse stroboscoop, langzaam tot snel
		240 ⇔ 247	Willekeurige stroboscoop, langzaam tot snel
		248 ⇔ 255	Open
8	Kleurenwiel	000 ⇔ 004	Open
		005 ⇔ 008	Rood
		009 ⇔ 012	Orange
		013 ⇔ 016	Cyan
		017 ⇔ 020	Licht groen
		021 ⇔ 024	Licht geel
		025 ⇔ 028	Lavendel
		029 ⇔ 032	Roze
		033 ⇔ 036	Geel
		037 ⇔ 040	Magenta
		041 ⇔ 044	Lichtblauw
		045 ⇔ 048	Amber
		049 ⇔ 052	CTO 5600K
		053 ⇔ 056	CTO 6500K
		057 ⇔ 060	UV
		061 ⇔ 127	Gespleten kleuren
		128 ⇔ 189	Kleurwijziging met de klok mee, snel tot langzaam
190 ⇔ 193	Stop		
194 ⇔ 255	Kleurwijziging tegen de klok in, langzaam tot snel		

Kanaal	Functie	Waarde	Percentage/instelling
9	Statisch gobowiel	000 ⇔ 003	Open
		004 ⇔ 006	Gobo 1
		007 ⇔ 009	Gobo 2
		010 ⇔ 012	Gobo 3
		013 ⇔ 015	Gobo 4
		016 ⇔ 018	Gobo 5
		019 ⇔ 021	Gobo 6
		022 ⇔ 024	Gobo 7
		025 ⇔ 027	Gobo 8
		028 ⇔ 030	Gobo 9
		031 ⇔ 033	Gobo 10
		034 ⇔ 036	Gobo 11
		037 ⇔ 039	Gobo 12
		040 ⇔ 042	Gobo 13
		043 ⇔ 045	Gobo 14
		046 ⇔ 048	Gobo 15
		049 ⇔ 051	Gobo 16
		052 ⇔ 055	Gobo 17
		056 ⇔ 059	Open
		060 ⇔ 063	Gobo 1 schudden, langzaam tot snel
		064 ⇔ 067	Gobo 2 schudden, langzaam tot snel
		068 ⇔ 071	Gobo 3 schudden, langzaam tot snel
		072 ⇔ 075	Gobo 4 schudden, langzaam tot snel
		076 ⇔ 079	Gobo 5 schudden, langzaam tot snel
		080 ⇔ 083	Gobo 6 schudden, langzaam tot snel
		084 ⇔ 087	Gobo 7 schudden, langzaam tot snel
		088 ⇔ 091	Gobo 8 schudden, langzaam tot snel
		092 ⇔ 095	Gobo 9 schudden, langzaam tot snel
		096 ⇔ 099	Gobo 10 schudden, langzaam tot snel
		100 ⇔ 103	Gobo 11 schudden, langzaam tot snel
		104 ⇔ 107	Gobo 12 schudden, langzaam tot snel
		108 ⇔ 111	Gobo 13 schudden, langzaam tot snel
		112 ⇔ 115	Gobo 14 schudden, langzaam tot snel
116 ⇔ 119	Gobo 15 schudden, langzaam tot snel		
120 ⇔ 123	Gobo 16 schudden, langzaam tot snel		
124 ⇔ 127	Gobo 17 schudden, langzaam tot snel		
128 ⇔ 189	Gobowijziging met de klok mee, snel tot langzaam		
190 ⇔ 193	Stop		
194 ⇔ 255	Gobowijziging tegen de klok in, langzaam tot snel		
10	Prisma 1	000 ⇔ 004	Geen functie
		005 ⇔ 255	Inzetstuk van het prisma
11	Prisma 1 roteren	000 ⇔ 127	Prisma-index
		128 ⇔ 189	Rotatie met de klok mee, snel tot langzaam
		190 ⇔ 193	Stop
		194 ⇔ 255	Rotatie tegen de klok in, langzaam tot snel
12	Prisma 2	000 ⇔ 004	Geen functie
		005 ⇔ 255	Prism index
13	Prisma 2 roteren	000 ⇔ 127	Prisma-index
		128 ⇔ 189	Rotatie met de klok mee, snel tot langzaam
		190 ⇔ 193	Stop
		194 ⇔ 255	Rotatie tegen de klok in, langzaam tot snel
14	Frost	000 ⇔ 255	0–100%
15	Straaldefractie	000 ⇔ 255	0–100%

Kanaal	Functie	Waarde	Percentage/instelling
16	Regeling	000 ⇔ 069	Geen functie
		070 ⇔ 079	Pan / tilt blackout inschakelen
		080 ⇔ 089	Schakel pan / tilt blackout uit
		090 ⇔ 099	Schakel blackout in terwijl het kleurenwiel beweegt
		100 ⇔ 109	Blackout van kleurenwiel uitschakelen
		110 ⇔ 119	Schakel blackout in terwijl gobowielen bewegen
		120 ⇔ 129	Schakel black-out van gobowiel uit
		130 ⇔ 139	Lamp aan
		140 ⇔ 149	Pan / tilt reset
		150 ⇔ 159	Kleurenwiel resetten
		160 ⇔ 169	Gobo wiel reset
		170 ⇔ 179	Sluiter / prisma opnieuw ingesteld
		180 ⇔ 189	Geen functie
		190 ⇔ 199	Focus opnieuw ingesteld
		200 ⇔ 209	Alles gereset
		210 ⇔ 219	Schakel alle blackout-functies in tijdens pan / tilt
		220 ⇔ 229	Schakel blackout alle functies uit tijdens pan / tilt
		230 ⇔ 239	Lamp uit
		240 ⇔ 255	Geen functie

Contact Us

General Information	Technical Support
Chauvet World Headquarters	
Address: 5200 NW 108th Ave. Sunrise, FL 33351 Voice: (954) 577-4455 Fax: (954) 929-5560 Toll Free: (800) 762-1084	Voice: (844) 393-7575 Fax: (954) 756-8015 Email: chauvetcs@chauvetlighting.com Website: www.chauvetprofessional.com
Chauvet Europe Ltd.	
Address: Unit 1C Brookhill Road Industrial Estate Pinxton, Nottingham, UK NG16 6NT Voice: +44 (0) 1773 511115 Fax: +44 (0) 1773 511110	Email: UKtech@chauvetlighting.eu Website: www.chauvetprofessional.eu
Chauvet Europe BVBA	
Address: Stokstraat 18 9770 Kruishoutem Belgium Voice: +32 9 388 93 97	Email: BNLtech@chauvetlighting.eu Website: www.chauvetprofessional.eu
Chauvet France	
Address: 3, Rue Ampère 91380 Chilly-Mazarin France Voice: +33 1 78 85 33 59	Email: FRtech@chauvetlighting.fr Website: www.chauvetprofessional.eu
Chauvet Germany	
Address: Bruno-Bürgel-Str. 11 28759 Bremen Germany Voice: +49 421 62 60 20	Email: DEtech@chauvetlighting.de Website: www.chauvetprofessional.eu
Chauvet Mexico	
Address: Av. de las Partidas 34 - 3B (Entrance by Calle 2) Zona Industrial Lerma Lerma, Edo. de México, CP 52000 Voice: +52 (728) 690-2010	Email: servicio@chauvet.com.mx Website: www.chauvetprofessional.mx

Visit the applicable website above to verify our contact information and instructions to request support. Outside the U.S., U.K., Ireland, Mexico, France, Germany, or Benelux, contact the dealer of record.



UL 1573
CSA C22.2 No. 166
E113093



RoHS

