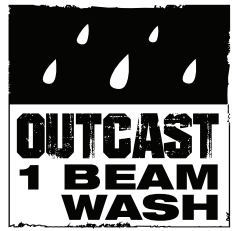


# ROGUE



## User Manual



Model ID: ROGUEOUTCAST1BEAMWASH



## **Edition Notes**

The Rogue Outcast 1 Beam Wash User Manual includes a description, safety precautions, installation, programming, operation and maintenance instructions for the Rogue Outcast 1 Beam Wash as of the release date of this edition.

## **Trademarks**

Chauvet, Chauvet Professional, the Chauvet logo, Rogue, Outcast, and Rogue Outcast are registered trademarks or trademarks of Chauvet & Sons, LLC (d/b/a Chauvet and Chauvet Lighting) in the United States and other countries. Other company and product names and logos referred to herein may be trademarks of their respective companies.

## **Copyright Notice**

The works of authorship contained in this manual, including, but not limited to, all design, text and images are owned by Chauvet.

© **Copyright 2023 Chauvet & Sons, LLC. All rights reserved.**

Electronically published by Chauvet in the United States of America.

## **Manual Use**

Chauvet authorizes its customers to download and print this manual for professional information purposes only. Chauvet expressly prohibits the usage, copy, storage, distribution, modification, or printing of this manual or its content for any other purpose without written consent from Chauvet.

## **Document Printing**

For best results, print this document in color, on letter size paper (8.5 x 11 in), double-sided. If using A4 paper (210 x 297 mm), configure the printer to scale the content accordingly.

## **Intended Audience**

Any person installing, operating, and/or maintaining this product should completely read through the guide that shipped with the product, as well as this manual, before installing, operating, or maintaining this product.

## **Disclaimer**

Chauvet believes that the information contained in this manual is accurate in all respects. However, Chauvet assumes no responsibility and specifically disclaims any and all liability to any party for any loss, damage or disruption caused by any errors or omissions in this document, whether such errors or omissions result from negligence, accident or any other cause. Chauvet reserves the right to revise the content of this document without any obligation to notify any person or company of such revision, however, Chauvet has no obligation to make, and does not commit to make, any such revisions. Download the latest version from [www.chauvetprofessional.com](http://www.chauvetprofessional.com).

## **Document Revision**

This Rogue Outcast 1 Beam Wash User Manual is the 5<sup>th</sup> edition of this document. Go to [www.chauvetprofessional.com](http://www.chauvetprofessional.com) for the latest version.

**TABLE OF CONTENTS**

- 1. Before You Begin** ..... 1
  - What Is Included ..... 1
  - Claims ..... 1
  - Text Conventions ..... 1
  - Symbols ..... 1
  - FCC Compliance ..... 1
  - Safety Notes ..... 2
    - Personal Safety ..... 2
    - Mounting and Rigging ..... 2
    - Power and Wiring ..... 2
    - Operation ..... 3
  - Expected LED Lifespan ..... 3
- 2. Introduction** ..... 4
  - Description ..... 4
  - Features ..... 4
  - Product Overview ..... 4
  - Product Dimensions ..... 5
- 3. Setup** ..... 6
  - AC Power ..... 6
    - AC Plug ..... 6
    - Power Linking ..... 6
    - Fuse Replacement ..... 6
  - Remote Device Management (RDM) ..... 6
  - USB Software Update ..... 6
  - Mounting ..... 7
    - Orientation ..... 7
    - Rigging ..... 7
    - Procedure ..... 7
- 4. Operation** ..... 8
  - Control Panel Description ..... 8
  - Menu Map ..... 8
  - Configuration (DMX) ..... 11
    - Control Personalities ..... 11
    - Starting Address ..... 11
  - Control Channel Assignments and Values ..... 11
    - Preset Color Chart ..... 11
    - Background Color Chart ..... 12
    - LED Macro Chart ..... 13
    - Strobe Chart ..... 13
    - Control Chart ..... 13
    - 64CH/111CH/135CH ..... 14
    - 15CH/24CH/30CH/37CH ..... 17
  - Configuration (Settings) ..... 19
    - Pan Reverse ..... 19
    - Tilt Reverse ..... 19
    - Pan Angle ..... 19
    - Tilt Angle ..... 19
    - Fan Mode ..... 19
    - Display Backlight Timer ..... 19
    - Screen Reverse ..... 19

Dimmer Curve .....	19
Dimmer Speed .....	19
Pulse Width Modulation .....	20
LED Power .....	20
Red Shift .....	20
White Mode .....	20
Color Calibration .....	20
USB Update .....	20
Reset Function .....	20
Factory Reset.....	20
Test Mode .....	21
Auto Test.....	21
Manual Test .....	21
System Information .....	21
Offset Mode (Zero Adjust).....	21
<b>5. Maintenance.....</b>	<b>22</b>
Product Maintenance .....	22
<b>6. Technical Specifications .....</b>	<b>23</b>
<b>Contact Us .....</b>	<b>24</b>
Warranty & Returns.....	24

## Before You Begin

# 1. Before You Begin

## What Is Included

- Rogue Outcast 1 Beam Wash
- 2 Omega brackets with mounting hardware
- Seetronic Powerkon IP65 power cable
- Quick Reference Guide

## Claims

Carefully unpack the product immediately and check the container to make sure all the parts are in the package and are in good condition.




If the box or the contents (the product and included accessories) appear damaged from shipping, or show signs of mishandling, notify the carrier immediately, not Chauvet. Failure to report damage to the carrier immediately may invalidate your claim. In addition, keep the box and contents for inspection.

For other issues, such as missing components or parts, damage not related to shipping, or concealed damage, file a claim with Chauvet within 7 days of delivery.

## Text Conventions

Convention	Meaning
<b>1–512</b>	A range of values
<b>50/60</b>	A set of values of which only one can be chosen
<b>Settings</b>	A menu option not to be modified
<b>&lt;ENTER&gt;</b>	A key to be pressed on the product's control panel

## Symbols

Symbol	Meaning
	Critical installation, configuration, or operation information. Not following these instructions may make the product not work, cause damage to the product, or cause harm to the operator.
	Important installation or configuration information. The product may not function correctly if this information is not used.
	Useful information.



**Any reference to data or power connections in this manual assumes the use of Seetronic IP rated cables.**



**The term “DMX” used throughout this manual refers to the USITT DMX512-A digital data transmission protocol.**

## FCC Compliance

This device complies with Part 15 Part B of the FCC Rules. Operation is subject to the following two conditions:

1. This device may not cause harmful interference, and
2. This device must accept any interference received, including interference that may cause undesired operation.

Any changes or modifications not expressly approved by the party responsible for compliance could void the user's authority to operate the equipment.

## Safety Notes

Read all the following safety notes before working with this product. These notes contain important information about the installation, usage, and maintenance of this product.



**This product contains no user-serviceable parts. Any reference to servicing in this User Manual will only apply to properly trained, certified technicians. Do not open the housing or attempt any repairs.**



**All applicable local codes and regulations apply to proper installation of this product.**

## Personal Safety

- The luminaire should be positioned so that prolonged staring into the luminaire at a distance closer than 18.04 ft (5.5 m) is not expected.
- If the external flexible cable or cord of this luminaire is damaged, it shall be replaced by a special cord or cord exclusively available from the manufacturer or his service agent.
- The light source contained in this luminaire shall only be replaced by the manufacturer or his service agent or a similar qualified person.
- The luminaire is intended for professional use only.
- Always disconnect the product from the power source before cleaning or replacing the fuse.
- Always connect the product to a grounded circuit to avoid the risk of electrocution.
- Do not touch the product's housing when operating because it may be very hot.

## Mounting and Rigging

- Do not submerge this product (IP65). Temporary outdoor operation is fine.
- When using this product in an outdoor environment, use IP65 (or higher) rated power and data cables. Secure unused power and data ports with attached IP65 covers.
- CAUTION: When transferring product from extreme temperature environments, (e.g., cold truck to warm, humid ballroom) condensation may form on the internal electronics of the product. To avoid causing a failure, allow product to fully acclimate to the surrounding environment before connecting it to power.
- Not for permanent outdoor installation in locations with extreme environmental conditions. This includes, but is not limited to:
  - Exposure to a marine/saline environment (within 3 miles of a saltwater body of water).
  - Locations where the normal high or low temperatures exceed the temperature ranges in this manual.
  - Locations that are prone to flooding or being buried in snow.
  - Areas where the product will be subjected to extreme radiation or caustic substances.
- Mount this product in a location with adequate ventilation, at least 20 in (50 cm) from adjacent surfaces.
- Make sure there are no flammable materials close to this product while it is operating.
- When hanging this product, always secure to a fastening device using a safety cable.
- Never carry the product by the power cable.

## Power and Wiring

- Make sure the power cable is not crimped or damaged.
- Always make sure you are connecting this product to the proper voltage in accordance with the specifications in this manual or on the product's specification label.
- To eliminate unnecessary wear and improve its lifespan, during periods of non-use completely disconnect the product from power via breaker or by unplugging it.
- Never connect this product to a dimmer pack or rheostat.
- Make sure to replace the fuse with another of the same type and rating.
- Never disconnect this product by pulling or tugging on the power cable.

## Before You Begin

---

### Operation

- Do not operate this product if there is damage on the housing, lenses, or cables. Have the damaged parts replaced by an authorized technician at once.
- Do not cover the ventilation slots when operating to avoid internal overheating.
- The maximum ambient temperature is 113 °F (45 °C). Do not operate the product at higher temperatures.
- The minimum startup temperature is -4°F (-20°C). Do not start the product at lower temperatures.
- The minimum ambient temperature is -22°F (-30°C). Do not operate the product at lower temperatures.
- In the event of a serious operation problem, stop using this product immediately!



**If your Chauvet product requires service, contact Chauvet Technical Support.**

### Expected LED Lifespan

Over time, use and heat will gradually reduce LED brightness. Clustered LEDs produce more heat than single LEDs, contributing to shorter lifespans if always used at full intensity. The average LED lifespan is 40,000 to 50,000 hours. To extend LED lifespan, maintain proper ventilation around the product, and limit the overall intensity.

## 2. Introduction

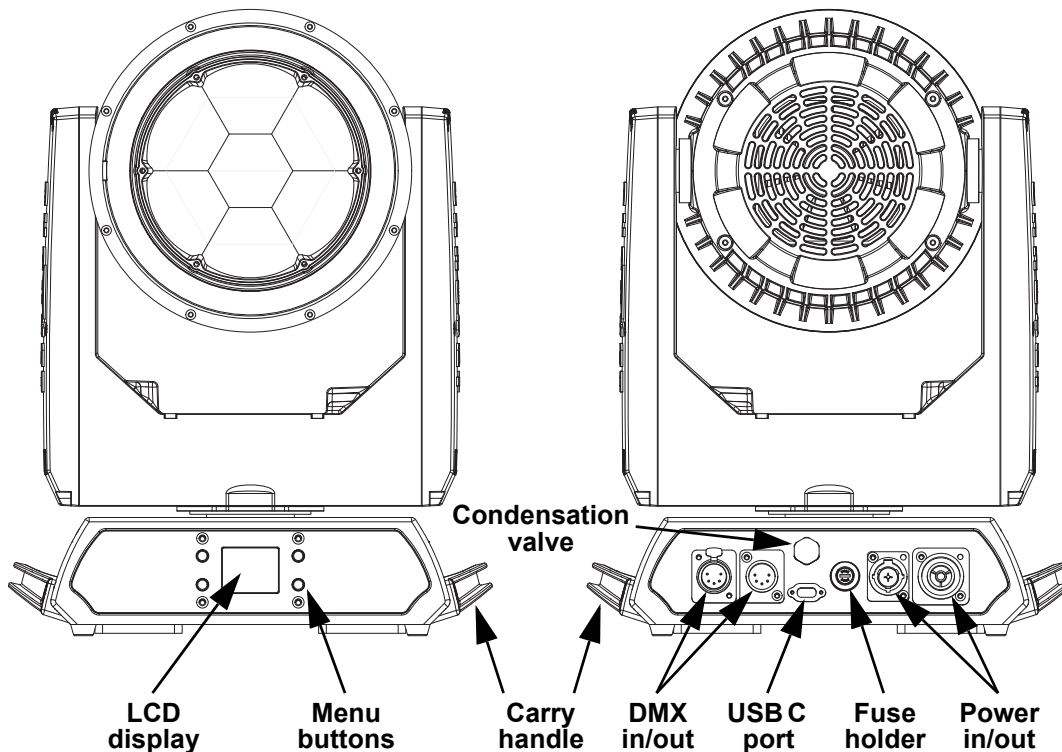
### Description

The Rogue Outcast 1 Beam Wash is an IP65 moving head that outputs a bright, powerful light and offers twelve zones of LED control in the pixel-mappable outer ring. The outdoor-ready unit raises the bar in dynamic effect options with a standout zoom range of 3.9° to 55.3° giving it the spread to cover even the largest areas. Control is over DMX and RDM.

### Features

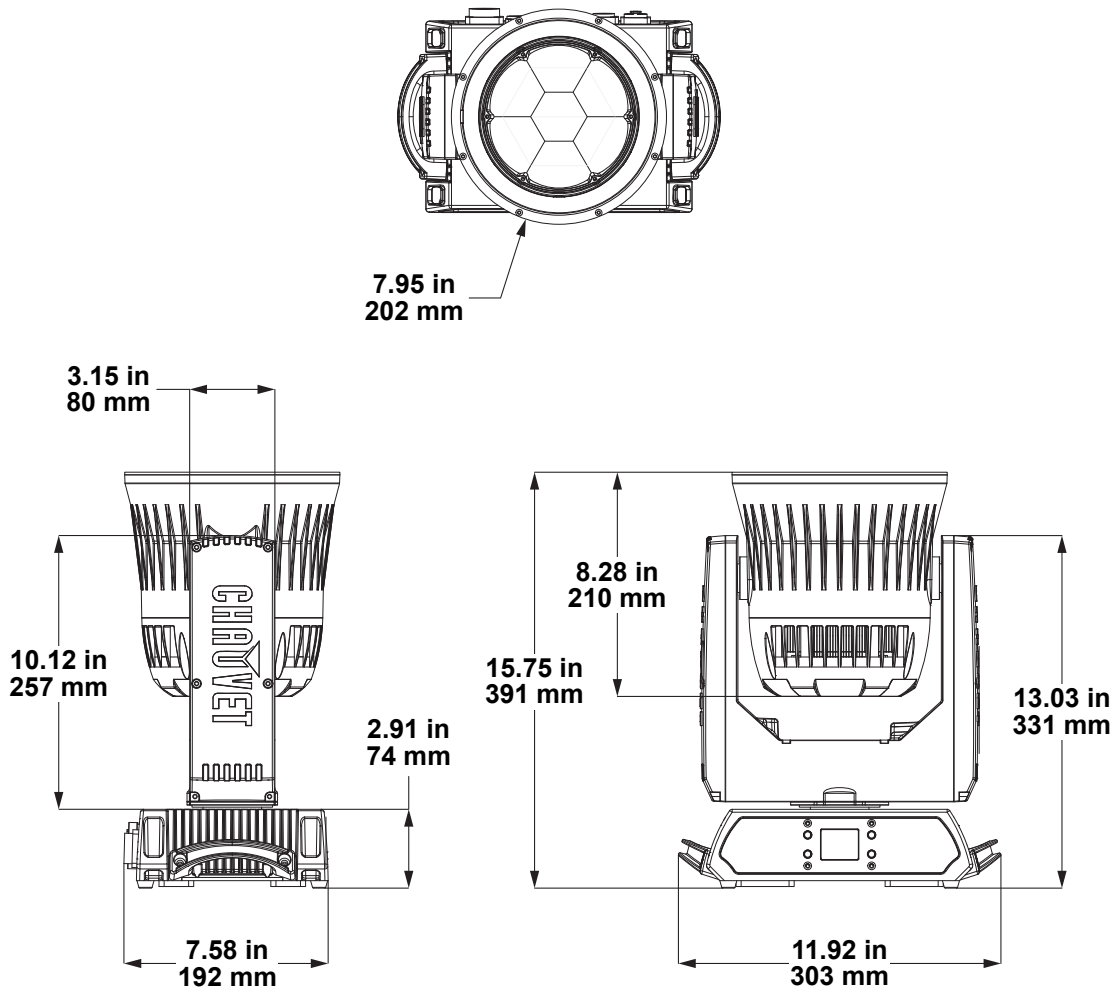
- Fully featured RGBW LED IP 65 rated yoke wash fixture with zoom and RGB LED ring
- 16-bit dimming of master dimmer as well as individual colors for smooth control of fades
- 7 RGBW LEDs, 45 W each
- 12 zone pixel-mappable RGB LED outer ring under a stealth filter for added effect possibilities
- Pre-built programs for outer LED ring with the ability to easily control dimming, rate, foreground and background colors
- 5-pin DMX input/output connections
- Unique lens design for excellent color blending and tight beam effects
- Extremely fast, smooth pan and tilt movement
- RDM enabled for remote addressing and trouble shooting
- Selectable PWM settings for camera operation
- Zoom Range: 3.9° to 55.3° for maximum coverage
- User selectable calibrated white for 7500 K at full output
- 6 distinct dimming modes for advanced control
- Easy to read OLED display with simple, effective menu options
- Simple and complex DMX channel profiles for programming versatility
- USB-C port for uploading software

### Product Overview





Product Dimensions



### 3. Setup

#### AC Power

The Rogue Outcast 1 Beam Wash has an auto-ranging power supply and it can work with an input voltage range of 100 to 240 VAC, 50/60 Hz.

To determine the product's power requirements (circuit breaker, power outlet, and wiring), use the current value listed on the label affixed to the product's back panel, or refer to the product's specifications chart. The listed current rating indicates the product's average current draw under normal conditions.



- **Always connect the product to a protected circuit (a circuit breaker or fuse). Make sure the product has an appropriate electrical ground to avoid the risk of electrocution or fire.**
- **To eliminate unnecessary wear and improve its lifespan, during periods of non-use completely disconnect the product from power via breaker or by unplugging it.**



**Never connect the product to a rheostat (variable resistor) or dimmer circuit, even if the rheostat or dimmer channel serves only as a 0 to 100% switch.**

#### AC Plug

The Rogue Outcast 1 Beam Wash comes with a power input cable terminated with a Seetronic Powerkon A connector on one end and bare wire on the other end (U.S. market). Use the table below to wire a plug.

Connection	Wire (U.S.)	Wire (Europe)	Screw Color
AC Live	Black	Brown	Yellow or Brass
AC Neutral	White	Blue	Silver
AC Ground	Green/Yellow	Green/Yellow	Green

#### Power Linking

The product supports power linking. It is possible to power link up to 3 Rogue Outcast 1 Beam Wash products at 100 V or 120 V, 6 products at 208 V, or up to 7 products at 230 V or 240 V. Never exceed this number.

This product comes with a power input cable. Power linking cables are available from Chauvet for purchase.

#### Fuse Replacement

1. Disconnect this product from the power outlet.
2. Using a flat-head screwdriver, unscrew the fuse holder cap from the housing.
3. Remove the blown fuse and replace with another fuse of the same type and rating (F 20 A, 250 V).
4. Screw the fuse holder cap back in place and reconnect power.

#### Remote Device Management (RDM)

Remote Device Management, or RDM, is a standard for allowing DMX-enabled devices to communicate bi-directionally along existing DMX cabling. Check the DMX controller's User Manual or with the manufacturer as not all DMX controllers have this capability. The Rogue Outcast 1 Beam Wash supports RDM protocol that allows feedback to make changes to menu map options.

#### USB Software Update

The Rogue Outcast 1 Beam Wash allows for software update through USB using the built-in USB port. To update the software using a USB flash drive, do the following:

1. Power on the product and plug the flash drive into the USB port.
2. Once the flash drive has been detected, the message "Upgrade Firmware" will be displayed. Press <ENTER>. If a different message appears on the display, search for the updated software in the **Menu (Updated Firmware)**. A list of the updated software files will be displayed.
3. Select the file that needs to be uploaded. The message "Are you sure?" will be displayed. Press <ENTER>.
4. If the selected file is correct, the update will be completed. Restart the product. If the selected file is incorrect, the update will fail, and the display will go back to the main interface. Repeat steps 1–3 using the correct file.



**The product's USB port supports up to 32GB capacity and only works with FAT32 file format.**

## Setup

### Mounting

Before mounting the product, read and follow the safety recommendations indicated in the Safety Notes. For our CHAUVET Professional line of mounting clamps, go to <http://trusst.com/products/>.

### Orientation

Always mount this product in a safe position, making sure there is adequate room for ventilation, configuration, and maintenance.

### Rigging

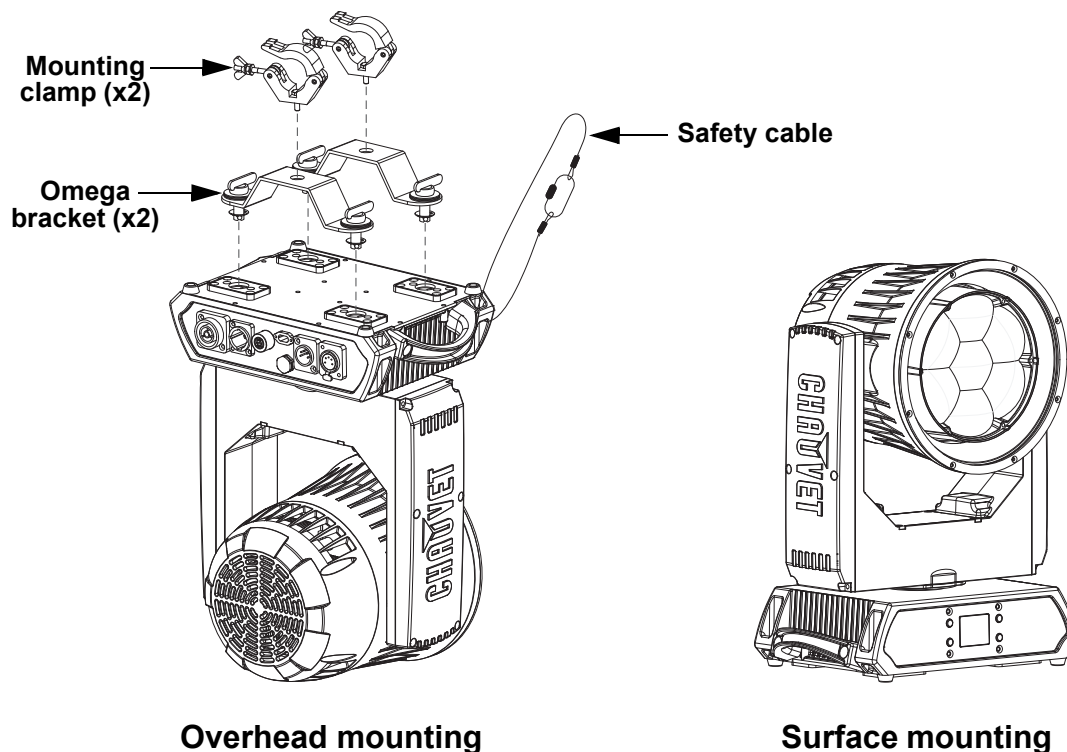
Chauvet recommends using the following general guidelines when mounting this product.

- Before deciding on a location for the product, make sure there is easy access to the product for maintenance and programming purposes.
- Make sure that the structure onto which you are mounting the product can support the product's weight. See the [Technical Specifications](#) for weight information.
- When mounting the product overhead, always use a safety cable. Mount the product securely to a rigging point, whether an elevated platform or a truss.
- When rigging the product onto a truss, use a mounting clamp of appropriate weight capacity.

### Procedure

The Rogue Outcast 1 Beam Wash comes with 2 omega brackets to which you can directly attach mounting clamps (sold separately). Make sure the clamps are capable of supporting the weight of this product. Use at least two mounting points per product. For the CHAUVET Professional line of mounting clamps, go to <http://www.trusst.com/products>.

### Mounting Diagram



## 4. Operation

### Control Panel Description

Button	Function
<MENU>	Exits from the current menu or function
<ENTER>	Enables the currently displayed menu or sets the currently selected value into the selected function
<UP>	Navigates upwards through the menu list or increases the numeric value when in a function
<DOWN>	Navigates downwards through the menu list or decreases the numeric value when in a function

### Menu Map

Main Level	Programming Levels		Description	
Address	001–498		Sets the starting address	
Run Mode	DMX	15CH	Selects the DMX personality	
		24CH		
		30CH		
		64CH		
		111CH		
		135CH		
		37CH		
	Auto Test		Auto test all functions	
	Manual Test	Pan	0–255	Manually control and test all settings through the control panel
		Tilt		
		Dimmer		
		Shutter		
		Red 1		
		Green 1		
		Blue 1		
		Red 2		
		Green 2		
		Blue 2		
		Red 3		
		Green 3		
Blue 3				
Red 4				
Green 4				
Blue 4				
Red 5				
Green 5				
Blue 5				
Red 6				
Green 6				
Blue 6				
Red 7				
Green 7				
Blue 7				
Red 8				

Main Level	Programming Levels		Description
<b>Run Mode</b> (cont.)	<b>Manual Test</b> (cont.)	<b>Green 8</b>	<b>0-255</b>  Manually control and test all settings through the control panel
		<b>Blue 8</b>	
		<b>Red 9</b>	
		<b>Green 9</b>	
		<b>Blue 9</b>	
		<b>Red 10</b>	
		<b>Green 10</b>	
		<b>Blue 10</b>	
		<b>Red 11</b>	
		<b>Green 11</b>	
		<b>Blue 11</b>	
		<b>Red 12</b>	
		<b>Green 12</b>	
		<b>Blue 12</b>	
		<b>Red 13</b>	
		<b>Green 13</b>	
<b>Blue 13</b>			
<b>White 13</b>			
<b>Zoom</b>			
<b>Setup</b>	<b>Pan Reverse</b>	<b>OFF</b>	Normal pan
		<b>ON</b>	Reversed pan
	<b>Tilt Reverse</b>	<b>OFF</b>	Normal tilt
		<b>ON</b>	Reversed tilt
	<b>Pan Angle</b>	<b>540</b>	540° pan range
		<b>360</b>	360° pan range
		<b>180</b>	180° pan range
	<b>Tilt Angle</b>	<b>260</b>	260° tilt range
		<b>180</b>	180° tilt range
		<b>90</b>	90° tilt range
	<b>Fans</b>	<b>Auto</b>	Fan speed according to product temperature
		<b>Full</b>	Fan speed set on high
		<b>ECO</b>	Quiet mode
	<b>Display</b>	<b>OFF</b>	Display times out
		<b>ON</b>	Display stays on
	<b>Screen Rev</b>	<b>OFF</b>	Normal screen display
<b>ON</b>		Inverted screen display	
<b>Dimmer Curve</b>	<b>Linear</b>	Set the dimmer curve	
	<b>Square</b>		
	<b>I Squa</b>		
	<b>SCurve</b>		
<b>Dimmer Speed</b>	<b>Smooth</b>	Sets the dimmer speed	
	<b>Fast</b>		

Main Level	Programming Levels			Description	
Setup (cont.)	PWM Option	600Hz		Sets the Pulse Width Modulation frequency	
		1200Hz			
		2000Hz			
		4000Hz			
		6000Hz			
		15000Hz			
	LED R POWER	050–100		Sets red LED power	
	LED G POWER	050–100		Sets green LED power	
	LED B POWER	050–100		Sets blue LED power	
	LED W POWER	050–100		Sets white LED power	
	Red Shift	OFF		Enables/disables red shift	
		ON			
	White Mode	On			Calibrates white to 7500K
		Off			Uses maximum output values
		Custom	RED	000–255	Sets red LED maximum value
			GREEN		Sets green LED maximum value
			BLUE		Sets blue LED maximum value
	WHITE		Sets white LED maximum value		
	Color Calibration	On			Uses factory default white setting
		Off			Uses maximum output values
Custom		RED	100–255	Sets red LED maximum value	
		GREEN		Sets green LED maximum value	
		BLUE		Sets blue LED maximum value	
USB Update	NO		Enables/disables updating firmware through USB		
	YES				
Reset Function	Pan/Tilt	NO/YES	Reset individual functions or all functions from start-up		
	Zoom				
	All				
Factory Settings	NO		Reset to factory default settings		
	YES				
Sys Info	Ver	V_-----		Shows current firmware version	
	Running Mode	---		Shows current running mode	
	DMX Address	---		Shows current DMX address	
	Temperature	--		Shows the product's temperature in °C	
	Fixture Time	----		Shows number of hours product has been powered on	
	UID	-----		Shows product UID	
	Head Fan1–6	-----		Shows the speed of the fans in rpm	

## Operation

### Configuration (DMX)

Use control configurations to operate the product with a DMX controller.

#### Control Personalities

To set the control personality:

1. Go to the **Run Mode** main level.
2. Select the **DMX** option.
3. Select the desired personality, from **15CH**, **24CH**, **30CH**, **64CH**, **111CH**, **135CH** or **37CH**.



- See the [Starting Address](#) section for the highest starting address you can select for each personality.
- Make sure that the starting addresses on the various products do not overlap due to the new personality setting.

#### Starting Address

Each product will respond to a unique starting address from the controller. All products with the same starting address will respond in unison. To set the starting address:

1. Go to the **Address** main level.
2. Select the starting address (**001–498**).
  - The highest recommended starting address for **15CH** is **498**.
  - The highest recommended starting address for **24CH** is **489**.
  - The highest recommended starting address for **30CH** is **483**.
  - The highest recommended starting address for **37CH** is **476**.
  - The highest recommended starting address for **64CH** is **449**.
  - The highest recommended starting address for **111CH** is **402**.
  - The highest recommended starting address for **135CH** is **378**.

### Control Channel Assignments and Values

#### Preset Color Chart

DMX Value	Function	Red	Green	Blue	White
000 ⇔ 004	No function				
005 ⇔ 009	Color 1	000	000	000	255
010 ⇔ 014	Color 2	255	235	053	000
015 ⇔ 019	Color 3	214	134	048	000
020 ⇔ 024	Color 4	255	000	044	000
025 ⇔ 029	Color 5	255	059	113	000
030 ⇔ 034	Color 6	255	138	219	000
035 ⇔ 039	Color 7	226	175	226	000
040 ⇔ 044	Color 8	040	001	255	000
045 ⇔ 049	Color 9	000	000	255	000
050 ⇔ 054	Color 10	000	078	255	000
055 ⇔ 059	Color 11	000	199	255	000
060 ⇔ 064	Color 12	000	255	234	000
065 ⇔ 069	Color 13	149	246	255	000
070 ⇔ 074	Color 14	137	255	227	000
075 ⇔ 079	Color 15	213	220	222	000
080 ⇔ 084	Color 16	219	232	175	000
085 ⇔ 089	Color 17	205	255	199	000
090 ⇔ 094	Color 18	115	255	163	000
095 ⇔ 099	Color 19	006	255	143	000
100 ⇔ 104	Color 20	000	255	094	000
105 ⇔ 109	Color 21	029	255	000	000
110 ⇔ 114	Color 22	032	223	000	000

DMX Value	Function	Red	Green	Blue	White
115 ⇔ 119	Color 23	075	255	000	000
120 ⇔ 124	Color 24	080	232	000	000
125 ⇔ 129	Color 25	108	226	000	000
130 ⇔ 134	Color 26	145	194	000	000
135 ⇔ 139	Color 27	210	255	000	000
140 ⇔ 144	Color 28	225	232	000	000
145 ⇔ 149	Color 29	023	215	000	000
150 ⇔ 154	Color 30	247	214	000	000
155 ⇔ 159	Color 31	255	163	000	000
160 ⇔ 164	Color 32	255	152	000	000
165 ⇔ 169	Color 33	255	108	000	000
170 ⇔ 174	Color 34	255	255	255	255
175 ⇔ 179	No function				
180 ⇔ 201	Color fade, fast to slow				
202 ⇔ 207	Stop				
208 ⇔ 229	Reverse color fade, fast to slow				
230 ⇔ 234	No function				
235 ⇔ 249	Color jump, fast to slow				
250 ⇔ 255	No function				

### Background Color Chart

DMX Value	Function	Red	Green	Blue	White
000	No function				
001 ⇔ 002	2700K white	156	118	000	063
003 ⇔ 004	3200K white	156	141	005	089
005 ⇔ 006	4200K white	156	141	014	255
007 ⇔ 008	5600K white	156	207	054	255
009 ⇔ 010	8000K white	130	255	096	255
011	Blue	000	000	255	000
012 ⇔ 048	Green increases	000	001–254	255	000
049	Cyan	000	255	255	000
050 ⇔ 086	Blue decreases	000	255	254–001	000
87	Green	000	255	000	000
088 ⇔ 124	Red increases	001–254	255	000	000
125	Yellow	255	255	000	000
126 ⇔ 162	Green decreases	255	254–001	000	000
163	Red	255	000	000	000
164 ⇔ 200	Blue increases	255	000	001–254	000
201	Magenta	255	000	255	000
202 ⇔ 238	Red decreases	254–001	000	255	000
239	Blue	000	000	255	000
240 ⇔ 247	Color fade, fast to slow				
248 ⇔ 255	Color jump, fast to slow				



## LED Macro Chart

DMX Value	Function	DMX Value	Function	DMX Value	Function
000 ⇄ 005	No function	076 ⇄ 080	LED macro 15	151 ⇄ 155	LED macro 30
006 ⇄ 010	LED macro 1	081 ⇄ 085	LED macro 16	156 ⇄ 160	LED macro 31
011 ⇄ 015	LED macro 2	086 ⇄ 090	LED macro 17	161 ⇄ 165	LED macro 32
016 ⇄ 020	LED macro 3	091 ⇄ 095	LED macro 18	166 ⇄ 170	LED macro 33
021 ⇄ 025	LED macro 4	096 ⇄ 100	LED macro 19	171 ⇄ 175	LED macro 34
026 ⇄ 030	LED macro 5	101 ⇄ 105	LED macro 20	176 ⇄ 180	LED macro 35
031 ⇄ 035	LED macro 6	106 ⇄ 110	LED macro 21	181 ⇄ 185	LED macro 36
036 ⇄ 040	LED macro 7	111 ⇄ 115	LED macro 22	186 ⇄ 190	LED macro 37
041 ⇄ 045	LED macro 8	116 ⇄ 120	LED macro 23	191 ⇄ 195	LED macro 38
046 ⇄ 050	LED macro 9	121 ⇄ 125	LED macro 24	199 ⇄ 200	LED macro 39
051 ⇄ 055	LED macro 10	126 ⇄ 130	LED macro 25	201 ⇄ 205	LED macro 40
056 ⇄ 060	LED macro 11	131 ⇄ 135	LED macro 26	206 ⇄ 210	LED macro 41
061 ⇄ 065	LED macro 12	136 ⇄ 140	LED macro 27	211 ⇄ 215	LED macro 42
066 ⇄ 070	LED macro 13	141 ⇄ 145	LED macro 28	216 ⇄ 255	No function
071 ⇄ 075	LED macro 14	146 ⇄ 150	LED macro 29		

## Strobe Chart

DMX Value	Function	DMX Value	Function
000 ⇄ 019	Off	150 ⇄ 169	Random fading strobe 0–100%, fast to slow
020 ⇄ 024	On	170 ⇄ 189	Pulse strobe, fast to slow
025 ⇄ 069	Strobe, fast to slow	190 ⇄ 209	Random pulse strobe, fast to slow
070 ⇄ 089	Fading strobe 100–0%, fast to slow	210 ⇄ 229	Fading strobe 100–0–100%, fast to slow
090 ⇄ 109	Fading strobe 0–100%, fast to slow	230 ⇄ 244	Random pulse strobe, fast to slow
110 ⇄ 129	Random strobe, fast to slow	245 ⇄ 255	On
130 ⇄ 149	Random fading strobe 100–0%, fast to slow		

## Control Chart

DMX Value	Function	DMX Value	Function
000 ⇄ 009	No function	105 ⇄ 109	Reserved for future use
010 ⇄ 014	Blackout on pan/tilt	110 ⇄ 114	Red shift on
015 ⇄ 019	Preset color HTP on*	115 ⇄ 119	Red shift off
020 ⇄ 024	Preset color HTP off*	120 ⇄ 124	Fan mode ECO*
025 ⇄ 029	Reserved for future use	125 ⇄ 129	Fan mode Full*
030 ⇄ 034	Synchronize ring and center LEDs*	130 ⇄ 134	Fan mode Auto*
035 ⇄ 039	De-synchronize ring and center LEDs*	135 ⇄ 139	Dimmer mode fast*
040 ⇄ 044	Defrost fan on	140 ⇄ 144	Dimmer mode smooth*
045 ⇄ 049	Defrost fan off	145 ⇄ 149	Linear dimmer curve
050 ⇄ 054	Reset pan*	150 ⇄ 154	Square dimmer curve
055 ⇄ 059	Reset tilt*	155 ⇄ 159	Inverse square dimmer curve
060 ⇄ 064	Reset zoom	160 ⇄ 164	S-curve dimmer curve
065 ⇄ 069	Reserved for future use	165 ⇄ 169	WHITE mode
050 ⇄ 074	Reset all*	170 ⇄ 174	FULL mode

DMX Value	Function	DMX Value	Function
075 ⇔ 079	PWM 600 Hz*	175 ⇔ 179	Single-color calibration off
080 ⇔ 084	PWM 1200 Hz*	180 ⇔ 184	Single-color calibration on
085 ⇔ 089	PWM 2000 Hz*	185 ⇔ 239	No function
090 ⇔ 094	PWM 4000 Hz*	240 ⇔ 247	Calibration on
095 ⇔ 099	PWM 6000 Hz*	248 ⇔ 255	Calibration off
100 ⇔ 104	PWM 15000 Hz*		

(\*Activates in 5 seconds)



### Preset Color HTP

When preset color HTP is on, manual color controls may be used at the same time as preset color controls.

When preset color HTP is off, preset color controls will override all manual color controls.

## 64CH/111CH/135CH

64CH	111CH	135Ch	Function	Value	Percent/Setting
1	1	1	Pan	000 ⇔ 255	0–100%
2	2	2	Fine pan	000 ⇔ 255	Fine control (16-bit)
3	3	3	Tilt	000 ⇔ 255	0–100%
4	4	4	Fine tilt	000 ⇔ 255	Fine control (16-bit)
5	5	5	Pan/tilt speed	000 ⇔ 255	Fast to slow
6	6	6	CTC	000	No function
				001 ⇔ 255	Color temperature, 19000–2700K
7	7	7	Ring preset color	000 ⇔ 255	See <a href="#">Preset Color Chart</a> (no white)
8	8	8	Center preset color	000 ⇔ 255	See <a href="#">Preset Color Chart</a>
9	9	9	Pattern	000	No function
				001 ⇔ 255	Pattern 1–255
10	10	10	LED macro	000 ⇔ 255	See <a href="#">LED Macro Chart</a>
11	11	11	LED macro speed	000 ⇔ 127	LED macro speed, fast to slow
				128	Stop
				129 ⇔ 255	Reverse LED macro, slow to fast
12	12	12	LED macro delay	000 ⇔ 255	LED macro delay, fast to slow
13	13	13	Background color	000 ⇔ 255	See <a href="#">Background Color Chart</a>
14	14	14	Background dimmer	000 ⇔ 255	0–100%
–	15	15	Bg. fine dimmer	000 ⇔ 255	Fine control (16-bit)
15	16	–	Ring dimmer	000 ⇔ 255	0–100%
–	17	–	Ring fine dimmer	000 ⇔ 255	Fine control (16-bit)
16	18	–	Center dimmer	000 ⇔ 255	0–100%
–	19	–	Center fine dimmer	000 ⇔ 255	Fine control (16-bit)
–	–	16	Master dimmer	000 ⇔ 255	0–100%
–	–	17	Master fine dimmer	000 ⇔ 255	Fine control (16-bit)
17	20	18	Ring strobe	000 ⇔ 255	See <a href="#">Strobe Chart</a>
18	21	19	Center strobe	000 ⇔ 255	See <a href="#">Strobe Chart</a>
19	22	20	Zoom	000 ⇔ 255	Zoom in to zoom out
20	23	21	Control	000 ⇔ 255	See <a href="#">Control Chart</a>
21	24	22	Red	000 ⇔ 255	0–100%
–	25	23	Fine red	000 ⇔ 255	Fine control (16-bit)
22	26	24	Green	000 ⇔ 255	0–100%

64CH	111CH	135Ch	Function	Value	Percent/Setting
-	27	25	Fine green	000 ⇄ 255	Fine control (16-bit)
23	28	26	Blue	000 ⇄ 255	0-100%
-	29	27	Fine blue	000 ⇄ 255	Fine control (16-bit)
24	30	28	White	000 ⇄ 255	0-100%
-	31	29	Fine white	000 ⇄ 255	Fine control (16-bit)
-	-	30	Dimmer 1	000 ⇄ 255	0-100%
-	-	31	Fine dimmer 1	000 ⇄ 255	Fine control (16-bit)
25	32	32	Red 1	000 ⇄ 255	0-100%
-	33	33	Fine red 1	000 ⇄ 255	Fine control (16-bit)
26	34	34	Green 1	000 ⇄ 255	0-100%
-	35	35	Fine green 1	000 ⇄ 255	Fine control (16-bit)
27	36	36	Blue 1	000 ⇄ 255	0-100%
-	37	37	Fine blue 1	000 ⇄ 255	Fine control (16-bit)
-	-	38	Dimmer 2	000 ⇄ 255	0-100%
-	-	39	Fine dimmer 2	000 ⇄ 255	Fine control (16-bit)
28	38	40	Red 2	000 ⇄ 255	0-100%
-	39	41	Fine red 2	000 ⇄ 255	Fine control (16-bit)
29	40	42	Green 2	000 ⇄ 255	0-100%
-	41	43	Fine green 2	000 ⇄ 255	Fine control (16-bit)
30	42	44	Blue 2	000 ⇄ 255	0-100%
-	43	45	Fine blue 2	000 ⇄ 255	Fine control (16-bit)
-	-	46	Dimmer 3	000 ⇄ 255	0-100%
-	-	47	Fine dimmer 3	000 ⇄ 255	Fine control (16-bit)
31	44	48	Red 3	000 ⇄ 255	0-100%
-	45	49	Fine red 3	000 ⇄ 255	Fine control (16-bit)
32	46	50	Green 3	000 ⇄ 255	0-100%
-	47	51	Fine green 3	000 ⇄ 255	Fine control (16-bit)
33	48	52	Blue 3	000 ⇄ 255	0-100%
-	49	53	Fine blue 3	000 ⇄ 255	Fine control (16-bit)
-	-	54	Dimmer 4	000 ⇄ 255	0-100%
-	-	55	Fine dimmer 4	000 ⇄ 255	Fine control (16-bit)
34	50	56	Red 4	000 ⇄ 255	0-100%
-	51	57	Fine red 4	000 ⇄ 255	Fine control (16-bit)
35	52	58	Green 4	000 ⇄ 255	0-100%
-	53	59	Fine green 4	000 ⇄ 255	Fine control (16-bit)
36	54	60	Blue 4	000 ⇄ 255	0-100%
-	55	61	Fine blue 4	000 ⇄ 255	Fine control (16-bit)
-	-	62	Dimmer 5	000 ⇄ 255	0-100%
-	-	63	Fine dimmer 5	000 ⇄ 255	Fine control (16-bit)
37	56	64	Red 5	000 ⇄ 255	0-100%
-	57	65	Fine red 5	000 ⇄ 255	Fine control (16-bit)
38	58	66	Green 5	000 ⇄ 255	0-100%
-	59	67	Fine green 5	000 ⇄ 255	Fine control (16-bit)
39	60	68	Blue 5	000 ⇄ 255	0-100%
-	61	69	Fine blue 5	000 ⇄ 255	Fine control (16-bit)
-	-	70	Dimmer 6	000 ⇄ 255	0-100%

64CH	111CH	135Ch	Function	Value	Percent/Setting
-	-	71	Fine dimmer 6	000 ⇔ 255	Fine control (16-bit)
40	62	72	Red 6	000 ⇔ 255	0-100%
-	63	73	Fine red 6	000 ⇔ 255	Fine control (16-bit)
41	64	74	Green 6	000 ⇔ 255	0-100%
-	65	75	Fine green 6	000 ⇔ 255	Fine control (16-bit)
42	66	76	Blue 6	000 ⇔ 255	0-100%
-	67	77	Fine blue 6	000 ⇔ 255	Fine control (16-bit)
-	-	78	Dimmer 7	000 ⇔ 255	0-100%
-	-	79	Fine dimmer 7	000 ⇔ 255	Fine control (16-bit)
43	68	80	Red 7	000 ⇔ 255	0-100%
-	69	81	Fine red 7	000 ⇔ 255	Fine control (16-bit)
44	70	82	Green 7	000 ⇔ 255	0-100%
-	71	83	Fine green 7	000 ⇔ 255	Fine control (16-bit)
45	72	84	Blue 7	000 ⇔ 255	0-100%
-	73	85	Fine blue 7	000 ⇔ 255	Fine control (16-bit)
-	-	86	Dimmer 8	000 ⇔ 255	0-100%
-	-	87	Fine dimmer 8	000 ⇔ 255	Fine control (16-bit)
46	74	88	Red 8	000 ⇔ 255	0-100%
-	75	89	Fine red 8	000 ⇔ 255	Fine control (16-bit)
47	76	90	Green 8	000 ⇔ 255	0-100%
-	77	91	Fine green 8	000 ⇔ 255	Fine control (16-bit)
48	78	92	Blue 8	000 ⇔ 255	0-100%
-	79	93	Fine blue 8	000 ⇔ 255	Fine control (16-bit)
-	-	94	Dimmer 9	000 ⇔ 255	0-100%
-	-	95	Fine dimmer 9	000 ⇔ 255	Fine control (16-bit)
49	80	96	Red 9	000 ⇔ 255	0-100%
-	81	97	Fine red 9	000 ⇔ 255	Fine control (16-bit)
50	82	98	Green 9	000 ⇔ 255	0-100%
-	83	99	Fine green 9	000 ⇔ 255	Fine control (16-bit)
51	84	100	Blue 9	000 ⇔ 255	0-100%
-	85	101	Fine blue 9	000 ⇔ 255	Fine control (16-bit)
-	-	102	Dimmer 10	000 ⇔ 255	0-100%
-	-	103	Fine dimmer 10	000 ⇔ 255	Fine control (16-bit)
52	86	104	Red 10	000 ⇔ 255	0-100%
-	87	105	Fine red 10	000 ⇔ 255	Fine control (16-bit)
53	88	106	Green 10	000 ⇔ 255	0-100%
-	89	107	Fine green 10	000 ⇔ 255	Fine control (16-bit)
54	90	108	Blue 10	000 ⇔ 255	0-100%
-	91	109	Fine blue 10	000 ⇔ 255	Fine control (16-bit)
-	-	110	Dimmer 11	000 ⇔ 255	0-100%
-	-	111	Fine dimmer 11	000 ⇔ 255	Fine control (16-bit)
55	92	112	Red 11	000 ⇔ 255	0-100%
-	93	113	Fine red 11	000 ⇔ 255	Fine control (16-bit)
56	94	114	Green 11	000 ⇔ 255	0-100%
-	95	115	Fine green 11	000 ⇔ 255	Fine control (16-bit)
57	96	116	Blue 11	000 ⇔ 255	0-100%

## Operation

64CH	111CH	135Ch	Function	Value	Percent/Setting
–	97	117	Fine blue 11	000 ⇔ 255	Fine control (16-bit)
–	–	118	Dimmer 12	000 ⇔ 255	0–100%
–	–	119	Fine dimmer 12	000 ⇔ 255	Fine control (16-bit)
58	98	120	Red 12	000 ⇔ 255	0–100%
–	99	121	Fine red 12	000 ⇔ 255	Fine control (16-bit)
59	100	122	Green 12	000 ⇔ 255	0–100%
–	101	123	Fine green 12	000 ⇔ 255	Fine control (16-bit)
60	102	124	Blue 12	000 ⇔ 255	0–100%
–	103	125	Fine blue 12	000 ⇔ 255	Fine control (16-bit)
–	–	126	Center dimmer	000 ⇔ 255	0–100%
–	–	127	Center fine dimmer	000 ⇔ 255	Fine control (16-bit)
61	104	128	Center red	000 ⇔ 255	0–100%
–	105	129	Center fine red	000 ⇔ 255	Fine control (16-bit)
62	106	130	Center green	000 ⇔ 255	0–100%
–	107	131	Center fine green	000 ⇔ 255	Fine control (16-bit)
63	108	132	Center blue	000 ⇔ 255	0–100%
–	109	133	Center fine blue	000 ⇔ 255	Fine control (16-bit)
64	110	134	Center white	000 ⇔ 255	0–100%
–	111	135	Center fine white	000 ⇔ 255	Fine control (16-bit)

### 15CH/24CH/30CH/37CH

15CH	24CH	30CH	37CH	Function	Value	Percent/Setting
1	1	1	1	Pan	000 ⇔ 255	0–100%
2	2	2	2	Fine pan	000 ⇔ 255	Fine control (16-bit)
3	3	3	3	Tilt	000 ⇔ 255	0–100%
4	4	4	4	Fine tilt	000 ⇔ 255	Fine control (16-bit)
5	5	5	5	Pan/tilt speed	000 ⇔ 255	Fast to slow
6	–	–	–	Dimmer	000 ⇔ 255	0–100%
7	–	–	–	Fine dimmer	000 ⇔ 255	Fine control (16-bit)
–	6	6	6	CTC	000 001 ⇔ 255	No function Color temperature, 19000–2700K
–	7	7	7	Ring preset color	000 ⇔ 255	See <a href="#">Preset Color Chart</a> (no white)
–	8	8	8	Center preset color	000 ⇔ 255	See <a href="#">Preset Color Chart</a>
–	9	9	9	Pattern	000 001 ⇔ 255	No function Pattern 1–255
–	10	10	10	LED macro	000 ⇔ 255	See <a href="#">LED Macro Chart</a>
–	11	11	11	LED macro speed	000 ⇔ 127 128 129 ⇔ 255	LED macro speed, fast to slow Stop Reverse LED macro, slow to fast
–	12	12	12	LED macro delay	000 ⇔ 255	LED macro delay, fast to slow
–	13	13	13	Background color	000 ⇔ 255	See <a href="#">Background Color Chart</a>
–	14	14	14	Background dimmer	000 ⇔ 255	0–100%
–	–	–	15	Background fine dimmer	000 ⇔ 255	0–100%
–	15	15	16	Ring dimmer	000 ⇔ 255	0–100%
–	–	16	17	Ring fine dimmer	000 ⇔ 255	Fine control (16-bit)

15CH	24CH	30CH	37CH	Function	Value	Percent/Setting
-	16	17	18	Center dimmer	000 ⇄ 255	0–100%
-	-	18	19	Center fine dimmer	000 ⇄ 255	Fine control (16-bit)
8	-	-	-	Strobe	000 ⇄ 255	See <a href="#">Strobe Chart</a>
-	17	19	20	Ring strobe	000 ⇄ 255	See <a href="#">Strobe Chart</a>
-	18	20	21	Center strobe	000 ⇄ 255	See <a href="#">Strobe Chart</a>
9	-	-	-	Red	000 ⇄ 255	0–100%
10	-	-	-	Green	000 ⇄ 255	0–100%
11	-	-	-	Blue	000 ⇄ 255	0–100%
12	-	-	-	White	000 ⇄ 255	0–100%
13	-	-	-	Preset color	000 ⇄ 255	See <a href="#">Preset Color Chart</a>
14	19	21	22	Zoom	000 ⇄ 255	Zoom in to zoom out
15	20	22	23	Control	000 ⇄ 255	See <a href="#">Control Chart</a>
-	21	23	-	Red	000 ⇄ 255	0–100%
-	-	24	-	Fine red	000 ⇄ 255	Fine control (16-bit)
-	22	25	-	Green	000 ⇄ 255	0–100%
-	-	26	-	Fine green	000 ⇄ 255	Fine control (16-bit)
-	23	27	-	Blue	000 ⇄ 255	0–100%
-	-	28	-	Fine blue	000 ⇄ 255	Fine control (16-bit)
-	24	29	-	White	000 ⇄ 255	0–100%
-	-	30	-	Fine white	000 ⇄ 255	Fine control (16-bit)
-	-	-	24	Ring red	000 ⇄ 255	0–100%
-	-	-	25	Ring fine red	000 ⇄ 255	Fine control (16-bit)
-	-	-	26	Ring green	000 ⇄ 255	0–100%
-	-	-	27	Ring fine green	000 ⇄ 255	Fine control (16-bit)
-	-	-	28	Ring blue	000 ⇄ 255	0–100%
-	-	-	29	Ring fine blue	000 ⇄ 255	Fine control (16-bit)
-	-	-	30	Center red	000 ⇄ 255	0–100%
-	-	-	31	Center fine red	000 ⇄ 255	Fine control (16-bit)
-	-	-	32	Center green	000 ⇄ 255	0–100%
-	-	-	33	Center fine green	000 ⇄ 255	Fine control (16-bit)
-	-	-	34	Center blue	000 ⇄ 255	0–100%
-	-	-	35	Center fine blue	000 ⇄ 255	Fine control (16-bit)
-	-	-	36	Center white	000 ⇄ 255	0–100%
-	-	-	37	Center fine white	000 ⇄ 255	Fine control (16-bit)

## Operation

---

### Configuration (Settings)

#### Pan Reverse

To set the orientation of the pan:

1. Go to the **Setup** main level.
2. Select the **Pan Reverse** option.
3. Select from **OFF** (normal pan motion), or **ON** (reversed pan motion).

#### Tilt Reverse

To set the orientation of the tilt:

1. Go to the **Setup** main level.
2. Select the **Tilt Reverse** option.
3. Select from **OFF** (normal tilt motion), or **ON** (reversed tilt motion).

#### Pan Angle

To set the maximum angle of the pan:

1. Go to the **Setup** main level.
2. Select the **Pan Angle** option.
3. Select from **540** (540°), **360** (360°), or **180** (180°).

#### Tilt Angle

To set the maximum angle of the tilt:

1. Go to the **Setup** main level.
2. Select the **Tilt Angle** option.
3. Select from **270** (270°), **180** (180°), or **90** (90°).

#### Fan Mode

To set the fan speed mode:

1. Go to the **Settings** main level.
2. Select the **Fans** option.
3. Select the fan mode, from **Auto** (fan speed adjusts to product temperature), **Full** (fan speed at maximum), or **ECO** (quiet mode).

#### Display Backlight Timer

To set whether an inactive display will turn off:

1. Go to the **Setup** main level.
2. Select the **Display** option.
3. Select the length of the backlight timer, from **OFF** (will turn off) or **ON** (always on).

#### Screen Reverse

To set the orientation of the display:

1. Go to the **Setup** main level.
2. Select the **Screen Rev** option.
3. Select from **OFF** (right-side up) or **ON** (upside-down).

#### Dimmer Curve

To set the dimmer curve:

1. Go to the **Setup** main level.
2. Select the **Dimmer Curve** option.
3. Select the dimmer curve, from **Linear**, **Square**, **I Squa**, or **SCurve**.

#### Dimmer Speed

To set the dimmer speed:

1. Go to the **Setup** main level.
2. Select the **Dimmer Speed** option.
3. Select the dimmer speed, from **Smooth** or **Fast**.

## Pulse Width Modulation

To adjust the frequency of the pulse width modulation:

1. Go to the **Setup** main level.
2. Select the **PWM Option** option.
3. Select the frequency, from **600Hz**, **1200Hz**, **2000Hz**, **4000Hz**, **6000Hz**, or **15000Hz**.

## LED Power

To set the power of each LED color:

1. Go to the **Setup** main level.
2. Select from the **LED R POWER** (red), **LED G POWER** (green), **LED B POWER** (blue), or **LED W POWER** (white) options.
3. Set the selected LED power from **050–100**.

## Red Shift

With red shift enabled, the color temperature will warm as the dimmer decreases in imitation of a lamp. To enable or disable the red shift function:

1. Go to the **Setup** main level.
2. Select the **Red Shift** option.
3. Select from **OFF** or **ON**.

## White Mode

To turn the White Mode on or off, or edit the balance of the White Mode:

1. Go to the **Setup** main level.
2. Select the **White Mode** option.
3. Select **On** (to calibrate the color temperature to 7500K), **Off** (to sets all colors to maximum output), or **Custom** (to customize the White Mode).
4. If **Custom** was selected, then select which color to edit, from **RED**, **GREEN**, **BLUE**, or **WHITE**.
5. Increase or decrease the maximum output level of the selected color, from **000–255**.

## Color Calibration

To alter the color calibration settings:

1. Go to the **Setup** main level.
2. Select the **Color Calibration** option.
3. Select the calibration mode, from **On** (Uses factory default settings), **Off** (Sets all colors to maximum output), or **Custom** (To set a custom white balance).
4. If **Custom** was selected, then select which color to edit, from **RED**, **GREEN**, or **BLUE**.
5. Increase or decrease the maximum output level of the selected color, from **100–255**.

## USB Update

To enable or disable software update using USB:

1. Go to the **Setup** main level.
2. Select the **USB Update** option.
3. Select **NO** (disables software update through USB) or **YES** (enables software update through USB).



See the [USB Software Update](#) section for the detailed instructions on how to update the Rogue Outcast 1 Beam Wash software using a USB C connection.

## Reset Function

To reset specific functions or the entire product:

1. Go to the **Setup** main level.
2. Select the **Reset Function** option.
3. Select the functions to reset, from **Pan/Tilt**, **Zoom**, or **All**.
4. Select **NO** (to cancel) or **YES** (to reset the selected functions).

## Factory Reset

To reset the product to factory settings:

1. Go to the **Setup** main level.
2. Select the **Factory Reset** option.
3. Select **NO** (to cancel) or **YES** (to reset the product configuration).



## Operation

---

### Test Mode

#### Auto Test

To have the Rogue Outcast 1 Beam Wash automatically test all functions one after the other:

1. Go to the **Run Mode** main level.
2. Select the **Auto Test** option.

#### Manual Test

To manually test an individual function of the Rogue Outcast 1 Beam Wash:

1. Go to the **Run Mode** main level.
2. Select the **Manual Test** option.
3. Select a function to test, from **Pan, Tilt, Dimmer, Shutter, Red 1, Green 1, Blue 1, Red 2, Green 2, Blue 2, Red 3, Green 3, Blue 3, Red 4, Green 4, Blue 4, Red 5, Green 5, Blue 5, Red 6, Green 6, Blue 6, Red 7, Green 7, Blue 7, Red 8, Green 8, Blue 8, Red 9, Green 9, Blue 9, Red 10, Green 10, Blue 10, Red 11, Green 11, Blue 11, Red 12, Green 12, Blue 12, Red 13, Green 13, Blue 13, White 13, or Zoom.**
4. Increase or decrease the value of the selected function from **000–255** to test it.

### System Information

The information section of the menu displays statistics and the current status of the product's various functions. To view this information:

1. Go to the **Sys Info** main level.
2. Use **<UP>** and **<DOWN>** to view all information.

### Offset Mode (Zero Adjust)

The Offset mode provides fine adjustments for the home position of the pan, tilt, and zoom movements. To adjust these options:

1. From the main level screen, press and hold **<MENU>** until the passcode screen appears.
2. Use **<UP>** (increase value) and **<DOWN>** (next value) to enter the passcode: **2323** and press **<ENTER>**.
3. Select the "zero" position to adjust, from **PAN, TILT, ZOOM, RDM4, RDM5, or RDM6.**
4. Adjust the "zero" position for the selected function from **000–255.**

## 5. Maintenance

### Product Maintenance

Dust build-up reduces light output performance and can cause overheating. This can lead to reduction of the light source's life and/or mechanical wear. To maintain optimum performance and minimize wear, clean your lighting products at least twice a month. However, be aware that usage and environmental conditions could be contributing factors to increase the cleaning frequency.

To clean the product, follow the instructions below:

1. Unplug the product from power.
2. Wait until the product is at room temperature.
3. Use a vacuum (or dry compressed air) and a soft brush to remove dust collected on the external surface/vents.
4. Clean all transparent surfaces with a mild soap solution, ammonia-free glass cleaner, or isopropyl alcohol.
5. Apply the solution directly to a soft, lint free cotton cloth or a lens cleaning tissue.
6. Softly drag any dirt or grime to the outside of the transparent surface.
7. Gently polish the transparent surfaces until they are free of haze and lint.



**Always dry the transparent surfaces carefully after cleaning them.**



**Do not spin the cooling fans with compressed air. Damage may result.**

## Technical Specifications

### 6. Technical Specifications

#### Dimensions and Weight

Length	Width	Height	Weight
11.92 in (303 mm)	7.58 in (192 mm)	15.75 in (391 mm)	20.2 lb (9.16 kg)

**Note:** Dimensions in inches are rounded.

#### Power

Power Supply Type	Range	Voltage Selection
Switching (internal)	100 to 240 VAC, 50/60 Hz	Auto-ranging

Parameter	100 V, 60 Hz	120 V, 60 Hz	208 V, 60 Hz	230 V, 50 Hz	240 V, 50 Hz
Consumption	398 W	385 W	376 W	372 W	386 W
Operating Current	3.98 A	3.25 A	1.92 A	1.69 A	1.64 A
Power linking current (products)	12 A (3 products)	12 A (3 products)	12 A (6 products)	12 A (7 products)	12 A (7 products)
Fuse/Breaker	8 A, 250 V	8 A, 250 V	8 A, 250 V	8 A, 250 V	8 A, 250 V

Power I/O	U.S./Worldwide	UK/Europe
Power Input Connector	Seetronic Powerkon IP65	Seetronic Powerkon IP65
Power Output Connector	Seetronic Powerkon IP65	Seetronic Powerkon IP65
Power Cable plug	Bare end	Bare end

#### Light Source

Type	Color	Quantity	Power	Current	Lifespan
LED	Quad-color RGBW	7	45 W	3 A	50,000 hours
LED	Tri-color RGB	97	0.2 W	20 mA	50,000 hours

#### Photometrics

Beam Angle	Field Angle	Cutoff Angle	Zoom Angle
3.9° to 36°	5.9° to 49.8°	6.7° to 55.3°	3.9° to 55.3°
<b>Illuminance @ 5 m (3.9°)</b>	<b>Illuminance @ 5 m (55.3°)</b>		
15,308 lux	473 lux		

#### Thermal

Maximum External Temperature	Cooling System
113 °F (45 °C)	Fan-assisted Convection

#### DMX

I/O Connector	Channel Range
5-pin XLR	15, 24, 30, 37, 64, 111 or 135

#### Ordering

Product Name	Item Name	Item Code	UPC Number
Rogue Outcast 1 Beam Wash	ROGUEOUTCAST1BEAMWASH	08011841	781462221898



## Contact Us

General Information	Technical Support
<b>Chauvet World Headquarters</b>	
Address: 3360 Davie Rd. Davie, FL 33314 Voice: (954) 577-4455 Fax: (954) 929-5560 Toll Free: (800) 762-1084	Voice: (844) 393-7575 Fax: (954) 756-8015 Email: <a href="mailto:chauvetcs@chauvetlighting.com">chauvetcs@chauvetlighting.com</a> Website: <a href="http://www.chauvetprofessional.com">www.chauvetprofessional.com</a>
<b>Chauvet U.K.</b>	
Address: Unit 1C Brookhill Road Industrial Estate Pinxton, Nottingham, UK NG16 6NT Voice: +44 (0) 1773 511115 Fax: +44 (0) 1773 511110	Email: <a href="mailto:UKtech@chauvetlighting.eu">UKtech@chauvetlighting.eu</a> Website: <a href="http://www.chauvetprofessional.eu">www.chauvetprofessional.eu</a>
<b>Chauvet Benelux</b>	
Address: Stokstraat 18 9770 Kruishoutem Belgium Voice: +32 9 388 93 97	Email: <a href="mailto:BNLtech@chauvetlighting.eu">BNLtech@chauvetlighting.eu</a> Website: <a href="http://www.chauvetprofessional.eu">www.chauvetprofessional.eu</a>
<b>Chauvet France</b>	
Address: 3, Rue Ampère 91380 Chilly-Mazarin France Voice: +33 1 78 85 33 59	Email: <a href="mailto:FRtech@chauvetlighting.fr">FRtech@chauvetlighting.fr</a> Website: <a href="http://www.chauvetprofessional.eu">www.chauvetprofessional.eu</a>
<b>Chauvet Germany</b>	
Address: Bruno-Bürgel-Str. 11 28759 Bremen Germany Voice: +49 421 62 60 20	Email: <a href="mailto:DEtech@chauvetlighting.de">DEtech@chauvetlighting.de</a> Website: <a href="http://www.chauvetprofessional.eu">www.chauvetprofessional.eu</a>
<b>Chauvet Mexico</b>	
Address: Av. de las Partidas 34 - 3B (Entrance by Calle 2) Zona Industrial Lerma Lerma, Edo. de México, CP 52000 Voice: +52 (728) 690-2010	Email: <a href="mailto:servicio@chauvet.com.mx">servicio@chauvet.com.mx</a> Website: <a href="http://www.chauvetprofessional.mx">www.chauvetprofessional.mx</a>

## Warranty & Returns

For warranty terms and conditions and return information, please visit our website.

For Customers in the United States and Mexico: [www.chauvetlighting.com/warranty-registration](http://www.chauvetlighting.com/warranty-registration).

For Customers in the United Kingdom, Republic of Ireland, Belgium, the Netherlands, Luxembourg, France, and Germany: [www.chauvetlighting.eu/warranty-registration](http://www.chauvetlighting.eu/warranty-registration).