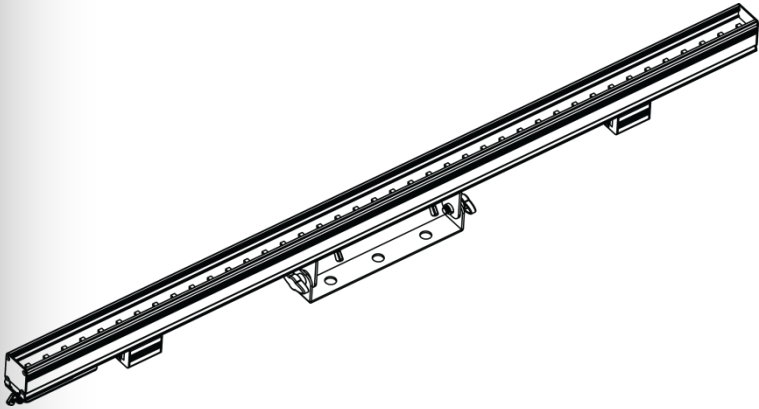


# ÉPIX™

STRIP 2.0

## Quick Reference Guide



**Safety  
Notes**

Read all the following Safety Notes before working with this product. These notes include important information about the installation, usage, and maintenance of this product.



This icon indicates critical installation, configuration, or operation information. Failure to comply with this information may render the fixture partially or completely inoperative, damage third-party equipment, or cause harm to the user.



There are no user-serviceable parts in this product. Any reference to servicing in this guide applies only to properly certified CHAUVET® technicians. Do not open the housing or attempt any repairs unless you are certified by CHAUVET®.



This icon indicates useful, although non-critical information.

- Please refer to all applicable local codes and regulations for proper installation of this product.
- Always disconnect this product from its power source before servicing.
- Always connect this product to a grounded circuit to avoid the risk of electrocution.
- Do not touch this product's housing during operation because it may be very hot.
- Do not operate this product if you see damage on the housing, lenses, or mounting bracket. Have any damaged parts replaced by a certified CHAUVET® technician at once. In the unlikely event that your CHAUVET® product may require service, contact CHAUVET® Technical Support.
- Do not cover the ventilation slots when operating to avoid internal overheating.
- The maximum ambient temperature is 104 °F (40 °C). Do not operate this product at a higher temperature.
- In case of a serious operating problem, stop using this product immediately!

## Product Description

The ÉPIX™ Strip 2.0 is a near-effortless pixel mapping one-meter strip that combines to make a system that sets up in minutes with minimal technical knowledge.

Controlled by the ÉPIX™ Drive 642 using Art-Net™ or ArKaos Kling-Net, the ÉPIX™ Strip 2.0 intuitively configures images and effects in any orientation and eliminates the hassle of pixel-by-pixel programming.

When combined with other ÉPIX™ products to create multiple configurations and displayed in any orientation on a mounting structure, the entire design is transformed into a dynamic low-resolution display.

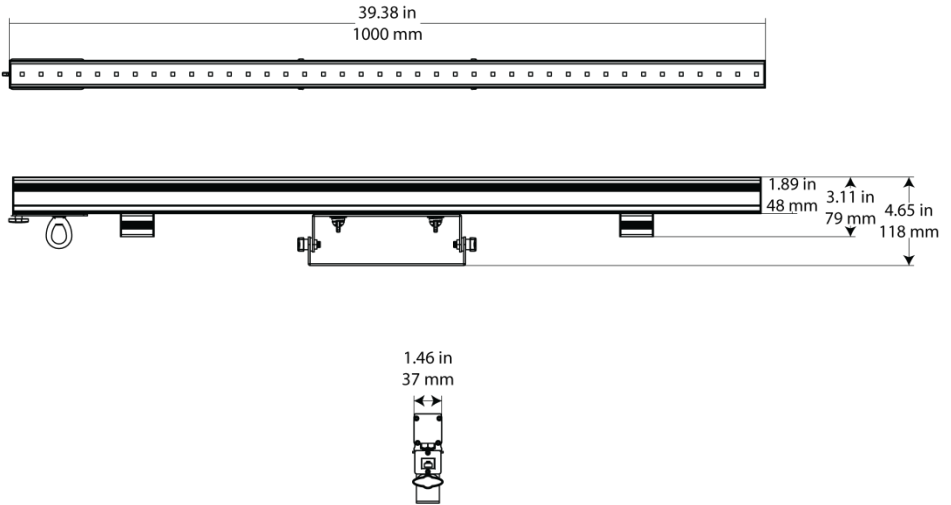
## What Is Included

Once you receive the product, carefully open the package and make sure all the pieces included are in good condition. The following items should be included in the package:

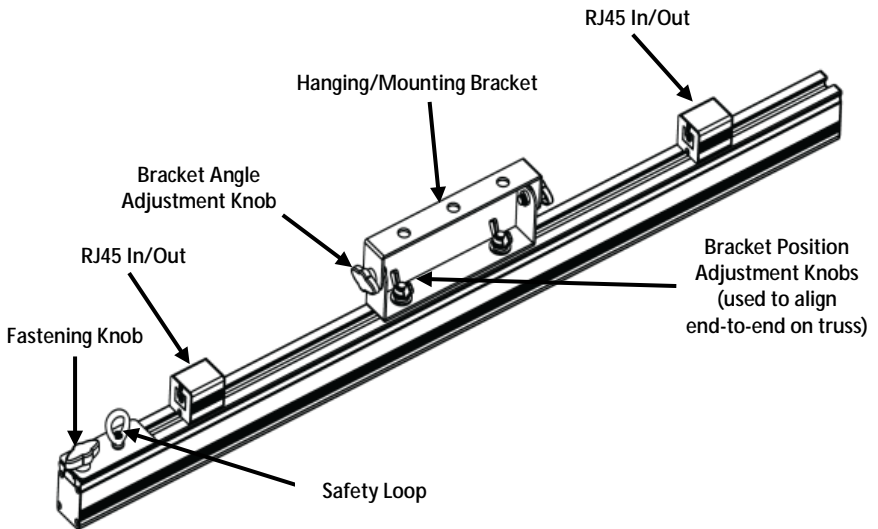
- ÉPIX™ Strip 2.0
- Clear LED Filter
- Quick Reference Guide

** If there are any missing pieces, please contact the local dealer where you purchased the product.**

### Product Dimensions



### Product Overview



## Installation Procedure

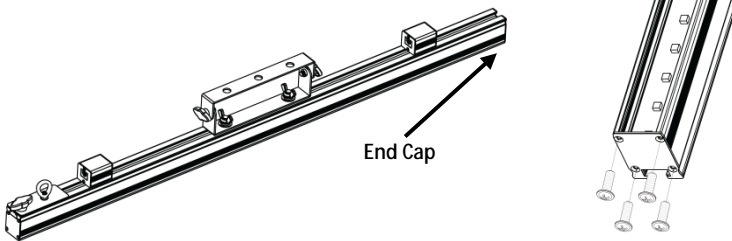
Before installing any product, you should completely read through the guide that was shipped with the product.

1. Carefully remove all items from the package and install on a secure foundation.
2. Connect the ÉPIX™ Strip 2.0 to the output of the ÉPIX™ Drive 642 using a standard Ethernet cable.

### Clear/Frost Filter Installation

The ÉPIX™ Strip 2.0 includes a preinstalled frost filter. Follow the procedure below to install the included clear filter.

1. Locate the end cap of the product that does not have the connecting hardware.
2. Remove the 4 screws from the end cap of the product.
3. Slide out and remove the installed filter.
4. Slide in the desired filter.
5. Re-install the end cap.



**i** Be sure to install the frost filter with the shiny side facing toward the LEDs.

## Mounting

The ÉPIX™ Strip 2.0 comes with an adjustable mounting bracket and safety loop. The mounting bracket has three 13-mm holes used to attach a clamp directly to the product's adjustable bracket, and serves as support for either mounting on the floor or on the wall. The safety loop is used to attach a safety cable.

You must supply your own clamps and make sure the clamps are capable of supporting the weight of this product. Before mounting the product, read and follow the safety recommendations indicated in the [Safety Notes](#). For our CHAUVET® line of mounting clamps, go to [trusst.com/productcategory/base-plates-accessories-clamps/](https://trusst.com/productcategory/base-plates-accessories-clamps/).

### Mounting Guidelines

CHAUVET® recommends using the following guidelines when mounting this product:

- Before deciding on a location, always make sure there is easy access to the product for maintenance and programming.
- Make sure that the structure or surface onto which you are mounting the product can support the product's weight (see the [Technical Specifications](#)).
- When mounting the product overhead, always use a safety cable. Mount the product securely to a rigging point, such as an elevated platform or a truss.
- When rigging the product onto a truss, you should use a mounting clamp of appropriate weight capacity.
- The bracket adjustment knobs allow for directional adjustment when aiming the product to the desired angle. Only loosen or tighten the bracket knobs manually. Using tools could damage the knobs.
- When mounting the product on the floor, make sure that the product and cables are away from people and vehicles.

### Mounting Instructions

1. Attach the clamp to the mounting bracket.
2. Attach the clamp to the desired structure or surface.
3. Attach a safety cable to the product's safety loop.

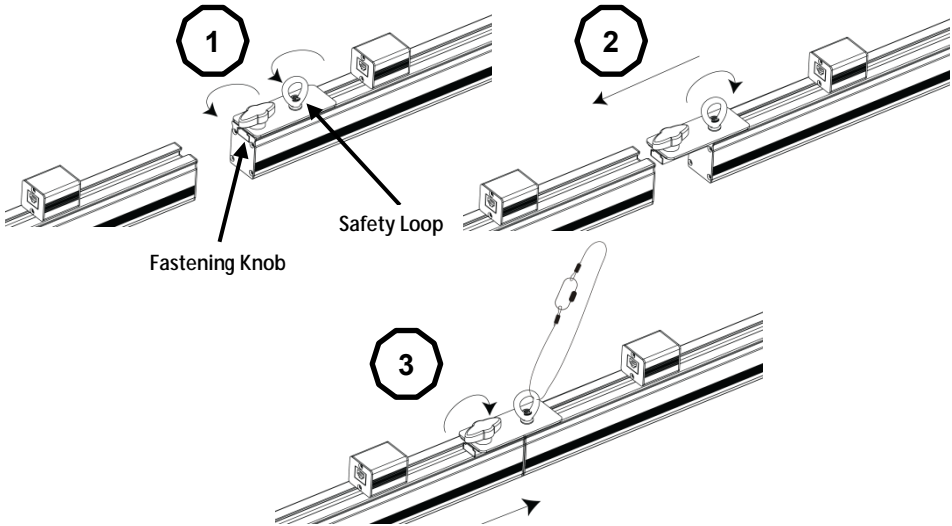
### Series Attachment Instructions

The ÉPIX™ Strip 2.0 can be attached in an end-to-end formation to create a strip up to 4 meters long from just one rigging point.

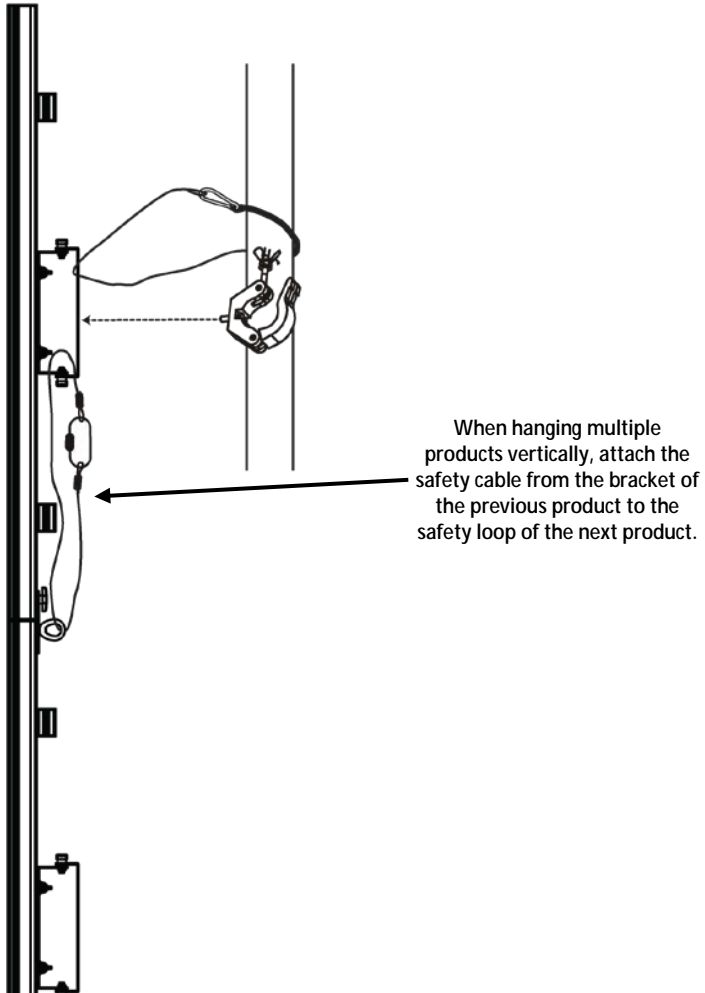


**Do not connect more than a total of 4 strips in a row when hanging vertically.**

1. Loosen the safety loop and fastening knob.
2. Slide the connecting bracket out till it stops and tighten the safety loop.
3. Slide the 2<sup>nd</sup> Epix™ Strip into the connecting bracket and tighten the fastening knob, then attach the safety cable.



**Be sure to install the safety cable last when attaching the products in series.**

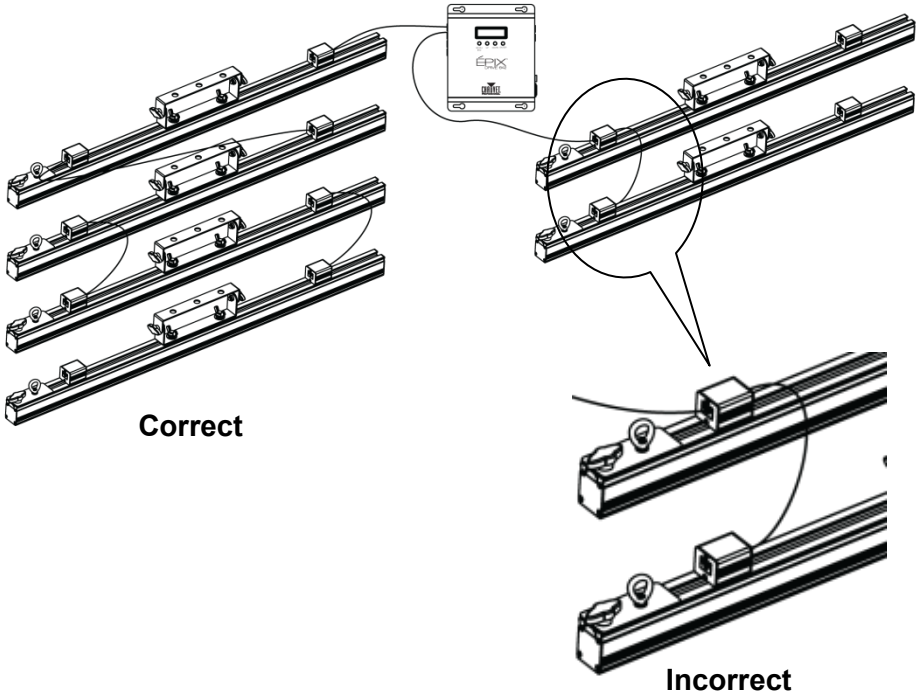
**Series Attachment Instructions (Cont.)**

**i** Never attach more than 3 products from the initial product when hanging vertically.



## Power/Signal Connection Procedure

The ÉPIX™ Strip 2.0 uses an RJ45 connection to link all ports. Each strip can be linked from end-to-end never exceeding a total of 4 strips for each daisy chain. The following diagram illustrates how to configure the data connections.



- ⓘ Never connect both data ports on the same end of the strip.

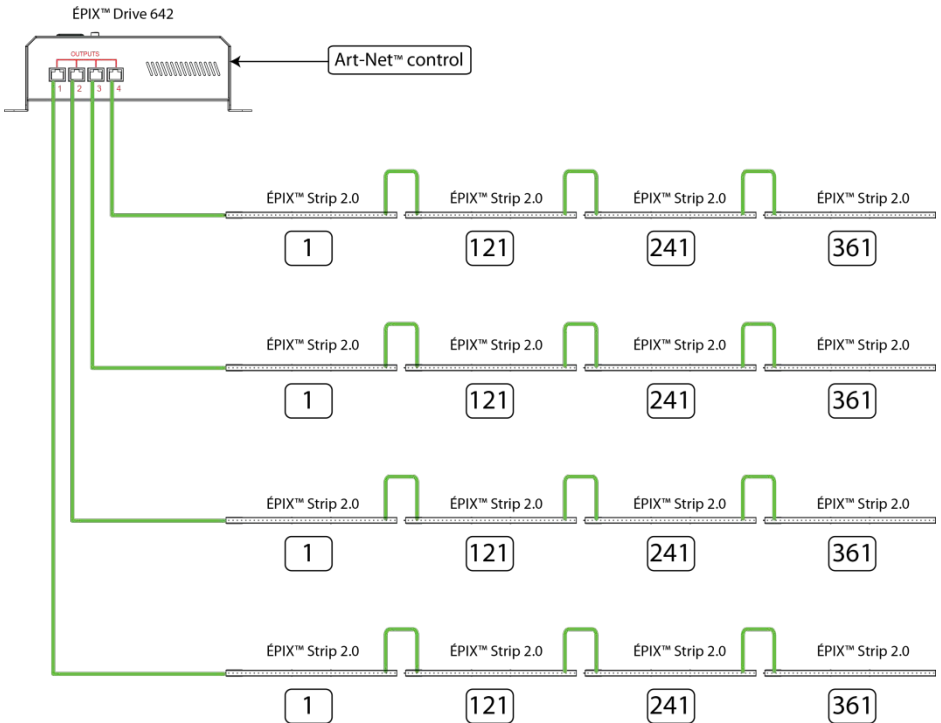
## Addressing Of Each Output When Using Art-Net™

When using Art-Net™, set the addressing for each of the 4 outputs of the ÉPIX™ Drive 642, including: **Net**, **Subnet**, and **Universe 1–4**.

If you are using 4 ÉPIX™ Strip 2.0 products on a single output, the starting channel should remain at **1**.

In the order of connection, outward from the ÉPIX™ Drive 642, each ÉPIX™ Strip 2.0 will automatically have the following Art-Net™ address: 1, 121, 241, 361.

**i** **The start channel on the lighting controller (or video/media server) should be set to these start channels in order to have independent control of each ÉPIX™ Strip 2.0.**



## Product Maintenance

To maintain optimum performance and minimize wear, you should clean this product frequently. Usage and environment are contributing factors in determining the cleaning frequency.

As a rule, clean this product at least twice a month. Dust build-up reduces light output performance and can cause overheating. This can lead to reduced light source life and increased mechanical wear.

Cleaning the ÉPIX™ Strip 2.0:

1. Unplug the product.
2. Wait until the product is at room temperature.
3. Use a vacuum (or dry compressed air) and a soft brush to remove dust collected on the external vents.
4. Clean all external surfaces with a mild solution of non-ammonia glass cleaner or isopropyl alcohol.
5. Apply a solution directly to a soft, lint-free cotton cloth or a lens cleaning tissue.



**Wipe any dirt or grime to the outside edge of the surface. Gently polish the surfaces with the lint-free cotton cloth or lens cleaning tissue until they are free of haze and lint. Always dry the external surfaces carefully after cleaning them.**

### Expected LED Lifespan

LEDs gradually decline in brightness over time, mostly because of heat. Packaged in clusters, LEDs exhibit higher operating temperatures than in ideal, single LED conditions. For this reason, using clustered LEDs at their fullest intensity significantly reduces the LEDs' lifespan. Under normal conditions, this lifespan can be 40,000 to 50,000 hours.

If extending this lifespan is vital, lower the operating temperature by improving the ventilation around the product and reducing the ambient temperature to an optimal operating range. In addition, limiting the overall projection intensity may also help to extend the LED's lifespan.

## Return Policy and Procedure

You must send the merchandise prepaid, in the original box, and with the original packing and accessories. CHAUVET® will not issue call tags.

Refer to the [Contact Us](#) section in this guide for addresses and phone numbers.

1. Call CHAUVET® and request a Return Merchandise Authorization (RMA) number before shipping the product. When calling, be prepared to provide the model number, serial number, and a brief description of the reason for the return.
2. Once you have received the RMA number, include the following information on a piece of paper inside the box:
  - Your name
  - Your address
  - Your phone number
  - RMA number
  - A brief description of the problem
3. Clearly label the package with the RMA number that was provided to you.

CHAUVET® will refuse any product returned without an RMA number. Write the RMA number on a properly affixed label. **DO NOT** write the RMA number directly on the box.

### Submitting a Claim

If the container or material inside the container (product and included accessories) appears damaged from shipping or shows signs of mishandling, notify the carrier immediately upon receipt - not CHAUVET®. Failure to notify the carrier in a timely manner may invalidate your claim. In addition, keep the container and all the packing material for inspection.

For other issues such as missing components or parts, damage not related to shipping, or concealed damage, file a claim with CHAUVET® within seven (7) days of receiving the merchandise.

Be sure the product is packed securely. Any shipping damage resulting from inadequate packaging will be the customer's responsibility. As a suggestion, proper FedEx packing or double-boxing is the preferred method CHAUVET® recommends.

CHAUVET® reserves the right to use its own discretion to repair or replace returned product(s).

## Technical Specifications

<b>Dimensions and Weight</b>	<b>Length</b>	<b>Width</b>	<b>Height</b>	<b>Weight</b>
	39.4 in (1,000 mm)	1.4 in (37 mm)	4.6 in (118 mm)	4.4 lb (2 kg)
<b>Note:</b> Dimensions in inches rounded to the nearest decimal digit.				
<b>Electrical</b>	<b>Power Supply</b>	<b>Range</b>		
	ÉPIX™ Drive 642	100 to 240 VAC, 50/60 Hz		
	<b>Parameter</b>	<b>120 V, 60 Hz</b>	<b>230 V, 50 Hz</b>	
	Consumption	20 W	39 W	
	Operating	0.11 A	0.03 A	
	<b>I/O</b>	<b>Input/ Output</b>		
	Connector port	RJ45		
	Cord plug	RJ45		
	Minimum Wire Gauge	24 AWG		
	<b>Light Source</b>	<b>Type</b>	<b>Power</b>	<b>Lifespan</b>
LED		24 VDC	50,000 hours	
<b>Color</b>		<b>Quantity/Pixels</b>		
Tri-color (RGB) SMD 5050 LEDs		40		
<b>Photo Optic</b>	<b>Parameter</b>	<b>Clear Filter</b>	<b>Frosted Filter</b>	
	Luminance	1,174 NITS	828 NITS	
	Pixel Pitch	25 mm		
	Refresh Rate	4.5 KHz		
	Viewing Angle	120°		
<b>Thermal</b>	<b>Max. External Temperature</b>	<b>Cooling System</b>		
	104 °F (40 °C)	Convection		
<b>Data Connections</b>	<b>I/O Connectors</b>	<b>Channel Range</b>		
	RJ45	Kling-Net	Determined by ArKaos MediaMaster™ software	
		Art-Net™	120 channels each	
<b>Ordering</b>	<b>Product Name</b>	<b>Item Code</b>	<b>UPC Number</b>	
	ÉPIX™ Strip 2.0	03090732	781462210809	

## Legal Notices

- Trademarks** CHAUVET® is a registered trademark of CHAUVET & Sons Inc. (d/b/a CHAUVET® or Chauvet). The CHAUVET® logo in its entirety including the CHAUVET name and the dotted triangle, and all other trademarks in this guide pertaining to services, products, or marketing statements (example: It's Green Thinking™) are owned or licensed by CHAUVET®. Any other product names, logos, brands, company names, and other trademarks featured or referred to within this document are the property of their respective trademark holders. Art-Net™ is designed and copyrighted by Artistic Licence Holdings Ltd.
- Copyright Notice** CHAUVET® owns the content of this guide in its entirety, including but not limited to pictures, logos, trademarks, and resources.  
© Copyright 2014 CHAUVET®. All rights reserved.  
Electronically published by CHAUVET® in the United States of America.
- Disclaimer** CHAUVET® believes that the information contained in this guide is accurate in all respects. However, CHAUVET® assumes no responsibility for any errors or omissions in this document. CHAUVET® reserves the right to revise and make changes to the content of this document without obligation that CHAUVET® notify any person or company of such revision or changes. This does not in any way constitute a commitment by CHAUVET® to make such changes. CHAUVET® may issue a revision of this guide or a new edition to incorporate such changes.

## About Quick Reference Guide

The ÉPIX™ Strip 2.0 Quick Reference Guide is subject to change without notice. Download the latest version from [www.chauvetlighting.com](http://www.chauvetlighting.com).

CHAUVET® authorizes its customers to download and print this guide for professional information purposes only. CHAUVET® expressly prohibits the usage, copy, storage, distribution, modification, or printing of this guide or its content for any other purpose without written consent from CHAUVET®.

For optimal results, print this document in color, on letter-sized paper (8.5 x 11 in), double-sided. If using A4 paper (210 x 297 mm), configure your printer to scale the content accordingly.

## Notas de Seguridad

Por favor, lea todas las siguientes Notas de Seguridad antes de poner en funcionamiento este producto. Estas notas incluyen información importante de seguridad sobre la instalación, uso y mantenimiento de este producto.



Este icono indica información de funcionamiento, instalación crítica o configuración. Hacer caso omiso de esta información puede provocar que este aparato no funcione en parte o totalmente, averíe equipo de terceros o cause daños al usuario.



No hay piezas reparables por el usuario en este producto. Cualquier referencia a la reparación en esta guía se aplica solamente a técnicos certificados por CHAUVET®. No abra la carcasa ni intente ninguna reparación a menos que esté autorizado por CHAUVET®.



Este icono indica información útil, aunque no crítica.

- Por favor, consulte todos los códigos locales y regulaciones correspondientes para la instalación adecuada de este producto.
- Desconecte siempre este producto de la alimentación antes de repararlo.
- Conecte siempre este producto a un circuito con toma de tierra para evitar el riesgo de electrocución.
- No toque la carcasa de este producto durante el funcionamiento, porque podría estar muy caliente.
- No haga funcionar este producto si aprecia daño en la carcasa, lentes o soporte de montaje. Haga que un técnico autorizado por CHAUVET® sustituya todas las piezas estropeadas. En el caso improbable de que su producto CHAUVET® necesite reparación, póngase en contacto con el Servicio Técnico CHAUVET®.
- No cubra las ranuras de ventilación cuando esté funcionando, para evitar sobrecalentamiento interno.
- La temperatura ambiente máxima es de 40 °C (104 °F). No haga funcionar este producto a temperaturas más altas.
- ¡En caso de un problema grave de funcionamiento, deje de usar el producto inmediatamente!

## Descripción del Producto

El ÉPIX™ Strip 2.0 es una banda de un metro para mapeo de píxeles de uso sencillo que se combina para formar un sistema que se instala en minutos con conocimientos técnicos mínimos.

Controlado por el ÉPIX™ Drive 642 usando Art-Net™ o ArKaos Kling-Net, el ÉPIX™ Strip 2.0 configura intuitivamente imágenes y efectos en cualquier orientación y acaba con las molestias de la programación píxel a píxel.

Cuando se combina con otros productos ÉPIX™ para crear múltiples configuraciones y se dispone en cualquier orientación en una estructura de montaje, el diseño completo se transforma en una pantalla dinámica de baja resolución.

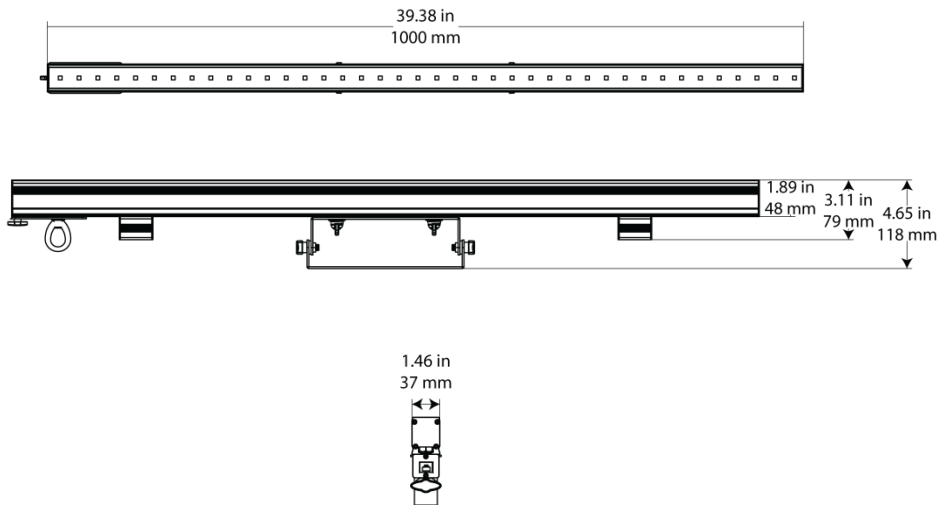
## Qué va Incluido

Una vez recibe el producto, abra el paquete con cuidado y asegúrese de que las piezas incluidas están en buen estado. Los siguientes elementos deben estar incluidos en el paquete:

- ÉPIX™ Strip 2.0
- Guía de Referencia Rápida
- Filtro protector

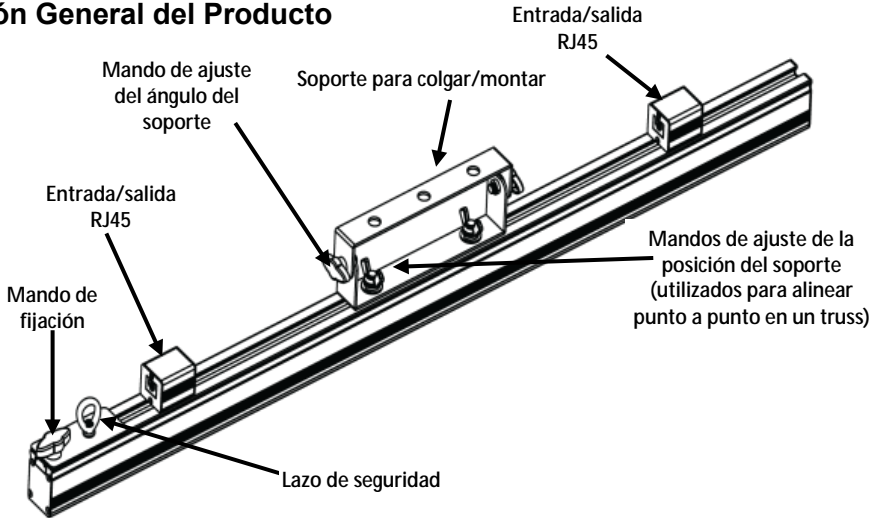
**i** Si faltan piezas, póngase en contacto con el distribuidor local donde adquirió el producto.

## Dimensiones del Producto





## Visión General del Producto



## Procedimiento de Instalación

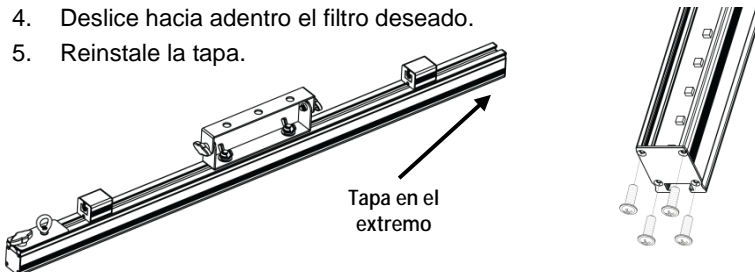
Antes de instalar el producto debe leer completa y atentamente la guía que le acompaña.

1. Saque con cuidado todas las piezas del paquete y colóquelas en un sitio estable.
2. Conecte el ÉPIX™ Strip 2.0 a la salida del ÉPIX™ Drive 642 usando un cable Ethernet estándar.

### Instalación del Filtro Protector/Difusor

El ÉPIX™ Strip 2.0 incluye un filtro difusor preinstalado. Siga el procedimiento siguiente para instalar el filtro protector incluido.

1. Localice en un extremo del producto la tapa que no tiene los elementos de conexión.
2. Quite los 4 tornillos de la tapa en el extremo del producto.
3. Deslice hacia afuera y quite el filtro instalado.
4. Deslice hacia adentro el filtro deseado.
5. Reinstale la tapa.



**Asegúrese de instalar el filtro difusor con la cara brillante mirando hacia los LEDs.**

## Montaje

El ÉPIX™ Strip 2.0 viene con un soporte de montaje ajustable y lazo de seguridad. El soporte de montaje tiene tres (3) agujeros de 13 mm que se usan para fijar una abrazadera directamente al soporte ajustable del producto, y sirve como sujeción para montaje en el suelo o en pared. El lazo de seguridad se usa para fijar el cable de seguridad.

Debe suministrar sus propias abrazaderas y asegurarse de que estas son capaces de soportar el peso de este producto. Antes de montar el producto, lea y siga las recomendaciones de seguridad indicadas en las [Notas de Seguridad](#).

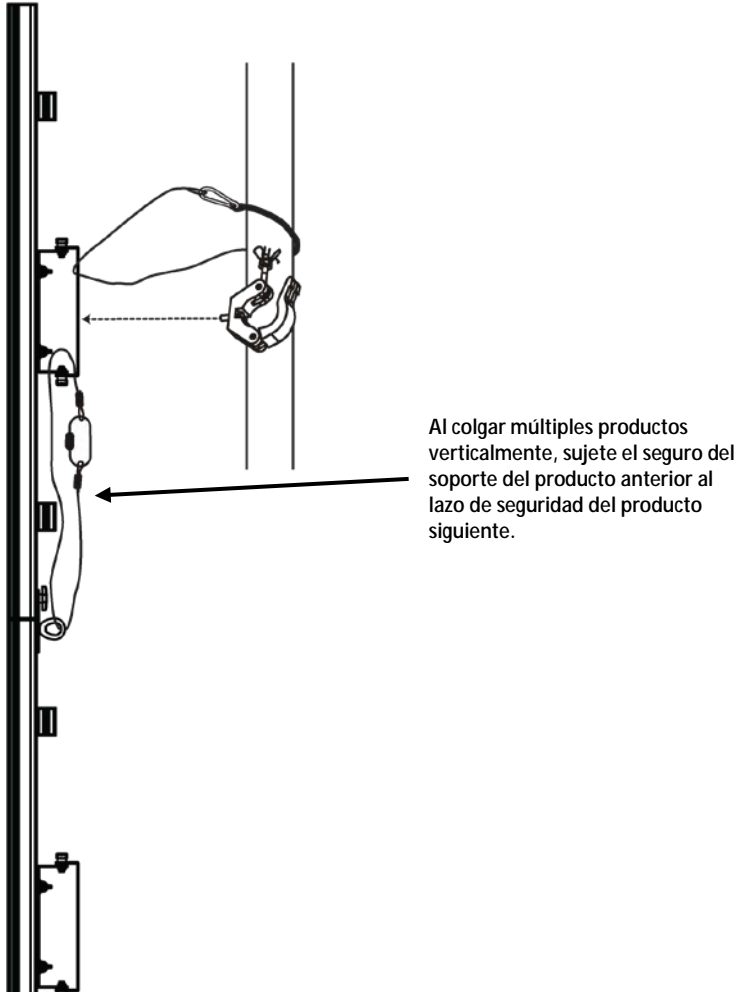
### Directrices de Montaje

CHAUVET® recomienda seguir las siguientes indicaciones cuando monte el producto:

- Antes de decidir una ubicación, asegúrese siempre de que hay fácil acceso al producto para su mantenimiento y programación.
- Asegúrese de que la estructura o superficie sobre la que está montando el producto puede soportar su peso (vea las [Especificaciones Técnicas](#)).
- Cuando monte este producto en alto, use siempre un cable de seguridad. Monte el producto con seguridad a un punto de anclaje, como una plataforma elevada o un truss.
- Cuando cuelgue el producto de un truss, debe usar una abrazadera de montaje con la resistencia al peso adecuada.
- Los mandos de ajuste del soporte permiten el ajuste direccional para dirigir el producto hacia el ángulo deseado. Apriete y afloje los mandos de soporte únicamente con la mano. Usar herramientas podría estropear los mandos.
- Cuando monte el producto en el suelo, asegúrese de que el producto y los cables estén fuera del alcance de personas y vehículos.

### Instrucciones de Montaje

1. Fije la abrazadera al soporte de montaje.
2. Fije la abrazadera a la estructura o superficie que desee.
3. Fije un cable de seguridad al lazo de seguridad del producto.

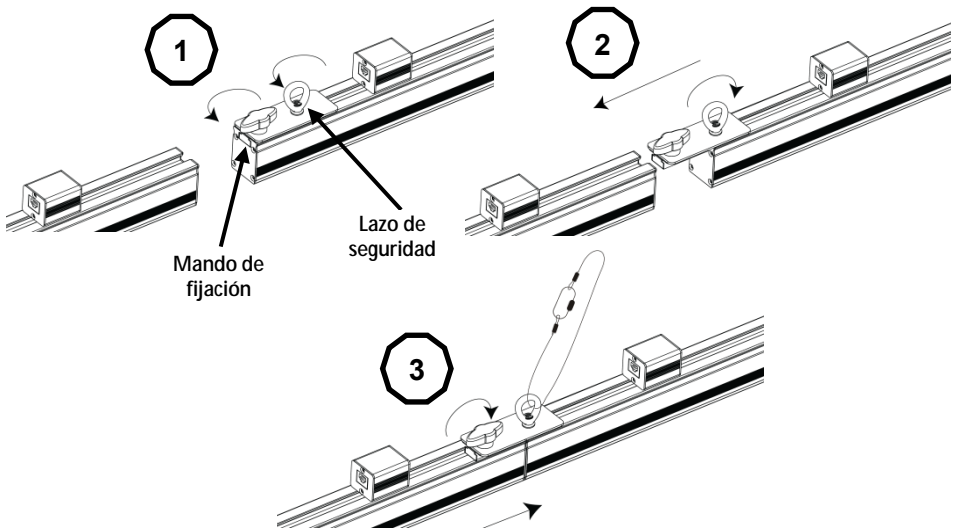


**i** Nunca sujete más de 3 productos al producto inicial al colgarlos verticalmente.

### Instrucciones de Fijación en Serie

El ÉPIX™ Strip 2.0 puede unirse en una formación punto a punto para crear una banda de hasta 4 m de longitud desde un solo punto de sujeción. No conecte más de un total de 4 bandas en fila cuando las cuelgue verticalmente.

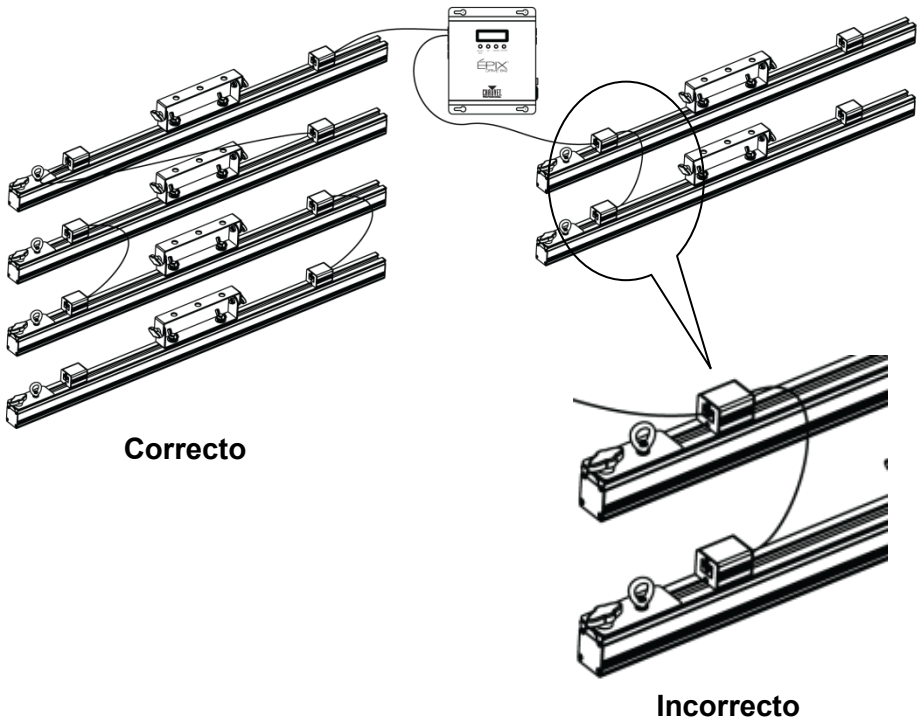
1. Suelte el lazo de seguridad y el mando de fijación.
2. Deslice el soporte de conexión hacia fuera hasta que se detenga, y apriete el lazo de seguridad.
3. Deslice el segundo ÉPIX™ Strip hacia el soporte de conexión y apriete el mando de fijación; entonces fije el cable de seguridad.



**i** Asegúrese de instalar el cable de seguridad lo último cuando fije los productos en serie.

## Procedimiento de Conexión de Alimentación/Señal

El ÉPIX™ Strip 2.0 utiliza una conexión RJ45 para enlazar todos los puertos. Cada banda puede enlazarse en cascada de punto a punto, nunca sobrepasando un total de 4 bandas por cada cascada. El siguiente diagrama ilustra cómo unir las conexiones de datos.



- ❗ Nunca conecte ambos puertos de datos en el mismo extremo de la banda.

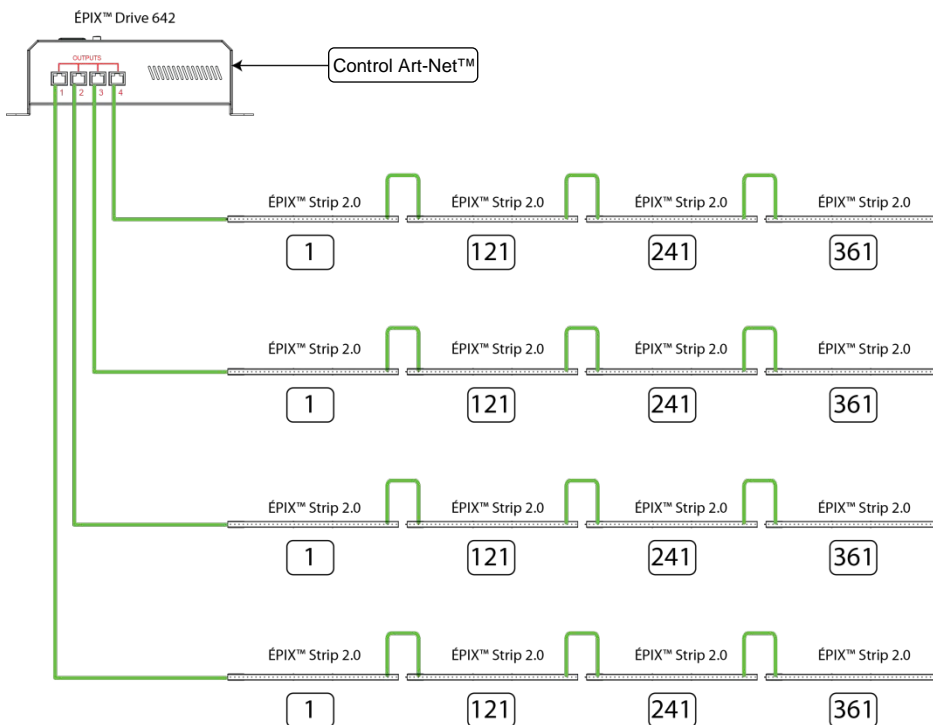
## Asignación de Direcciones a Cada Salida Cuando use Art-Net™

Cuando use Art-Net™, configure las direcciones para cada una de las 4 salidas del ÉPIX™ Drive 642: **Net**, **Subnet**, y **Universe 1-4**.

Si está usted usando 4 productos ÉPIX™ Strip 2.0 en una sola salida, el canal de inicio debería permanecer en 1.

En orden de conexión, desde el ÉPIX™ Drive 642, cada ÉPIX™ Strip 2.0 tendrá automáticamente la siguiente dirección Art-Net™: 1, 121, 241, 361.

**El canal de inicio en el controlador de iluminación (o servidor de vídeo/medios) debe configurarse con estos canales de inicio con el fin de tener control independiente de cada ÉPIX™ Strip 2.0.**



## Mantenimiento del Producto

Para mantener un rendimiento óptimo y minimizar el desgaste, debe limpiar este producto con frecuencia. El uso y el entorno pueden influir para determinar la frecuencia de las limpiezas.

Como norma general, limpie este producto al menos dos veces al mes. El polvo acumulado reduce el rendimiento de la salida de luz y puede provocar sobrecalentamiento. Esto puede conducir a una reducción de la vida de la fuente de luz e incrementar el desgaste mecánico.

Limpiar el ÉPIX™ Strip 2.0:

1. Desenchufe el producto.
2. Espere a que el producto esté a temperatura ambiente.
3. Use un aspirador (o aire seco comprimido) y un cepillo suave para quitar el polvo depositado en los orificios de aireación externos y en los componentes internos accesibles.
4. Limpie todas las superficies exteriores con una solución suave de limpiador de cristales sin amoníaco o alcohol isopropílico.
5. Aplique una solución directamente sobre un paño suave que no deje pelusa o un paño de limpiar lentes.



**Quite todo el polvo o suciedad del borde externo de la superficie. Frote suavemente las superficies con el paño de algodón que no deja pelusa o paño de limpiar lentes hasta que no haya turbiedad ni pelusas. Seque siempre con cuidado las superficies externas después de limpiarlas.**

### Esperanza de Vida del LED

Los LEDs van perdiendo brillo paulatinamente con el tiempo, principalmente a causa del calor. Unidos en grupo, los LEDs arrojan unas temperaturas de funcionamiento superiores a las condiciones ideales de un LED individual. Por esta razón, usar LEDs agrupados a su máxima intensidad reduce significativamente la vida del LED. Bajo condiciones normales, esta vida puede ser de 40.000 o 50.000 horas.

Si la extensión de la duración es vital, baje la temperatura de funcionamiento mejorando la ventilación alrededor del producto y reduzca la temperatura ambiente a un rango óptimo. Además, limitar la intensidad de proyección total puede contribuir a alargar la vida del LED.

## Política y Procedimiento de Devoluciones

Debe enviar la mercancía a portes pagados, en su caja original y con su embalaje y accesorios originales. CHAUVET® no expedirá etiquetas de devolución.

Consulte la sección [Contact Us](#) (contacto) de esta guía para ver direcciones y números de teléfono.

1. Llame a CHAUVET® y pida un *número de Autorización de Devolución de la Mercancía (RMA)* antes de enviar el producto. Cuando llame, esté preparado para proporcionar el número de modelo, número de serie y una breve descripción del motivo de la devolución.
2. Una vez que haya recibido el número de RMA, incluya la siguiente información en una hoja de papel dentro de la caja:
  - Su nombre
  - Su dirección
  - Su número de teléfono
  - Número de RMA
  - Una breve descripción del problema
3. Etiquete claramente el paquete con el *número de RMA* que se le proporcione.

CHAUVET® rechazará cualquier producto devuelto sin un número de RMA. Escriba el número de RMA en una etiqueta convenientemente adherida. **NO** escriba el número de RMA directamente sobre la caja.

### Enviar una Reclamación

Si la caja o su contenido (el producto y los accesorios incluidos) parecen dañados a causa del transporte o muestran signos de manipulación inadecuada, notifíquesele a su recepción al transportista, no a CHAUVET®. El no notificar al transportista a su debido tiempo puede invalidar su reclamación. Además, guarde la caja y todo el material de embalaje para su inspección.

Para otras incidencias, como componentes o piezas que falten, daños no relacionados con el transporte o daños no evidentes, presente una reclamación a CHAUVET® en el plazo de siete (7) días de la recepción de la mercancía.

Asegúrese de que el producto está empaquetado de forma segura. Cualquier daño en el transporte que resulte de un empaquetado inadecuado será responsabilidad del cliente. Como sugerencia, embalaje FedEx apropiado o doble caja es el método preferido, que CHAUVET® recomienda.

CHAUVET® se reserva el derecho de usar su propio criterio para reparar o reemplazar productos devueltos.



## Especificaciones Técnicas

Dimensiones y	Largo	Ancho	Alto	Peso
<b>Peso</b>	39,4" (1000 mm)	4,6" (118 mm)	1,4" (37 mm)	4,4 lb (2 kg)
<b>Nota:</b> Las dimensiones en pulgadas están redondeadas al dígito decimal más próximo.				
Eléctricas	Fuente de alimentación	Rango		
	ÉPIX™ Drive 642	100 a 240 V, 50/60 Hz		
	Parámetro	120 V, 60 Hz	230 V, 50 Hz	
	Consumo	20 W	39 W	
	Funcionamiento	0,11 A	0,03 A	
	E/S	Entrada/Salida		
	Puerto conector	RJ45		
	Enchufe del cable	RJ45		
Sección mínima del cable		24 AWG		
Fuente de Luz	Tipo	Alimentación	Duración	
	LED	24 VCC	50.000 horas	
	Color	Cantidad/Píxeles		
LEDs tri-color SMD 5050		40		
Óptica Foto	Parámetro	Filtro Protector	Filtro Difusor	
	Luminancia	1174 Nits	828 Nits	
	Tamaño de píxel	25 mm		
	Tasa de refresco	4,5 KHz		
	Ángulo de visión	120°		
Térmicas	Máx. Temperatura Externa	Sistema de Refrigeración		
	104 °F (40 °C)	Convección		
Conexiones de Datos	Conectores E/S	Rango de Canal		
	RJ45	Kling-Net	Determinado por el software ArKaos MediaMaster™	
		Art-Net™	120 canales cada uno	
Pedidos	Nombre de Producto	Código de Pieza	Número UPC	
	ÉPIX™ Strip 2.0	03090732	781462210809	

## Notas Legales

### **Marcas Registradas**

CHAUVET® es marca registrada de CHAUVET & Sons Inc. (bajo el nombre de CHAUVET® o Chauvet). El logo de CHAUVET® en su integridad, incluyendo el nombre CHAUVET y el triángulo entramado, y todas las demás marcas de esta guía pertenecen a servicios, productos o declaraciones comerciales (por ejemplo: It's Green Thinking™) son propiedad de o autorizados por CHAUVET®. Cualquier otro nombre de producto, logo, marca, nombre de empresa y otras marcas registradas incluidas o aludidas dentro de este documento son propiedad de los respectivos titulares de la marca. El diseño y copyright de Art-Net™ es de Artistic Licence Holdings Ltd.

### **Aviso de Derechos de Autor**

CHAUVET® es propietario del contenido de esta guía en su totalidad, incluyendo, sin limitarse a ellos, ilustraciones, logos, marcas y recursos.

© Copyright 2014 CHAUVET®. Todos los derechos reservados.

Publicación en formato electrónico por CHAUVET® en EE.UU.

### **Exención de Responsabilidad**

CHAUVET® cree que la información contenida en este manual es correcta en todos los aspectos. Sin embargo, CHAUVET® no asume responsabilidad por los errores u omisiones de este documento. CHAUVET® se reserva el derecho a revisar y hacer cambios sobre el contenido de este documento sin obligación de que CHAUVET® notifique a ningún individuo o empresa tales revisiones o cambios. Esto no implica compromiso de ninguna clase por parte de CHAUVET® de que vaya hacer tales cambios. CHAUVET® puede publicar una revisión de este manual o una nueva edición para incorporar dichos cambios.

## Sobre la Guía de Referencia Rápida

La Guía de Referencia Rápida del ÉPIX™ Strip 2.0 está sujeta a modificación sin previo aviso. Descargue la última versión de [www.chauvetlighting.com](http://www.chauvetlighting.com).

CHAUVET® autoriza a sus clientes a descargar e imprimir esta guía solo para propósitos de información profesional. CHAUVET® prohíbe expresamente la utilización, copia, almacenamiento, distribución, modificación o impresión de este manual o su contenido, con cualquier fin, sin consentimiento escrito de CHAUVET®.

Para resultados óptimos, imprima este documento en color, en papel tamaño carta (215,9 x 279,4 mm), a doble cara. Si usa papel A4 (210 x 297 mm), configure la impresora para escalar el contenido proporcionalmente.

**Consignes de Sécurité**

Veillez lire attentivement les consignes de sécurité suivantes avant de faire fonctionner l'appareil. Ces consignes reprennent d'importantes informations en matière d'installation, d'utilisation et de maintenance de l'appareil.



Cette icône renseigne des consignes importantes en matière d'installation, de configuration et de fonctionnement. Le non-respect de ces consignes peut entraîner le non-fonctionnement de l'appareil, en partialité ou en totalité ou entraîner des dommages à d'autres équipements. De même, l'utilisateur pourrait s'en trouver affecter.



Cet appareil ne contient aucun composant susceptible d'être réparé par l'utilisateur. Toute référence faite à l'entretien de l'appareil dans ce manuel ne s'appliquera qu'à des techniciens certifiés formés de manière adéquate aux produits CHAUVET®. N'ouvrez le boîtier ou n'essayez de le réparer que si vous êtes certifié par CHAUVET®.



Cette icône renseigne des informations utiles mais non vitales.

- Veuillez consulter tous les codes et règlements locaux en matière d'installation adéquate pour ce produit.
- Déconnectez toujours cette unité de sa source d'alimentation avant de procéder à son entretien.
- Il est impératif de toujours connecter cet appareil à un circuit relié à la terre afin d'éviter tout risque d'électrocution.
- Ne touchez pas le boîtier de cet appareil lors de son fonctionnement car il pourrait s'avérer brûlant.
- N'utilisez pas cet appareil si le boîtier, l'objectif ou les fixations vous semblent endommagés. Faites remplacer immédiatement tout composant endommagé par un technicien agréé par CHAUVET®. Au cas improbable où votre appareil CHAUVET® devrait être envoyé en réparation, contactez immédiatement le support technique de CHAUVET®.
- Ne couvrez jamais les fentes de ventilation lorsque l'appareil fonctionne car cela pourrait entraîner une surchauffe interne.
- La température ambiante maximale doit être de 104 °F (40 °C). Ne le faites pas fonctionner à une température plus élevée.
- En cas de sérieux problèmes de fonctionnement, arrêtez-le immédiatement !

## Description de l'Appareil

L'ÉPIX™ Strip 2.0 est une unité linéaire d'un mètre proposant des fonctions de mappage de pixels extrêmement simples à utiliser, combinées pour former un système se montant en quelques minutes par tout personne ayant des notions et un savoir-faire minimales.

Commandé par l'ÉPIX™ Drive 642 au moyen du protocole Kling-Net d'ArKaos, l'ÉPIX™ Strip 2.0 configure de manière intuitive images et effets quelque soit la direction, sans que vous n'ayez à devoir programmer les pixels un à un.

Combiné avec d'autres unités de la série ÉPIX™ pour créer de multiples configurations et monté dans une structure quelque soit son orientation, le design se transforme en un écran dynamique basse résolution.

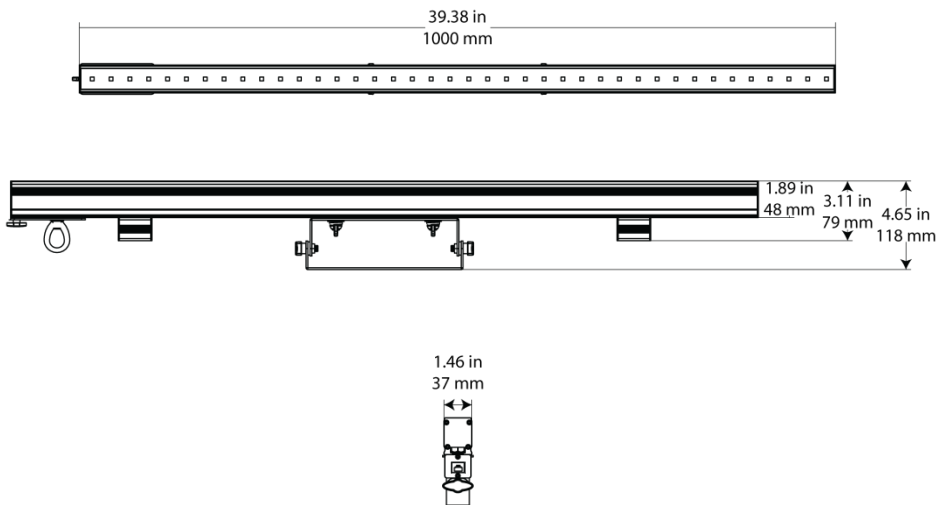
## Ce qui est Compris

Dès réception de l'unité, ouvrez l'emballage avec précaution et assurez-vous que toutes les pièces sont arrivées en bon état. Le colis devrait contenir :

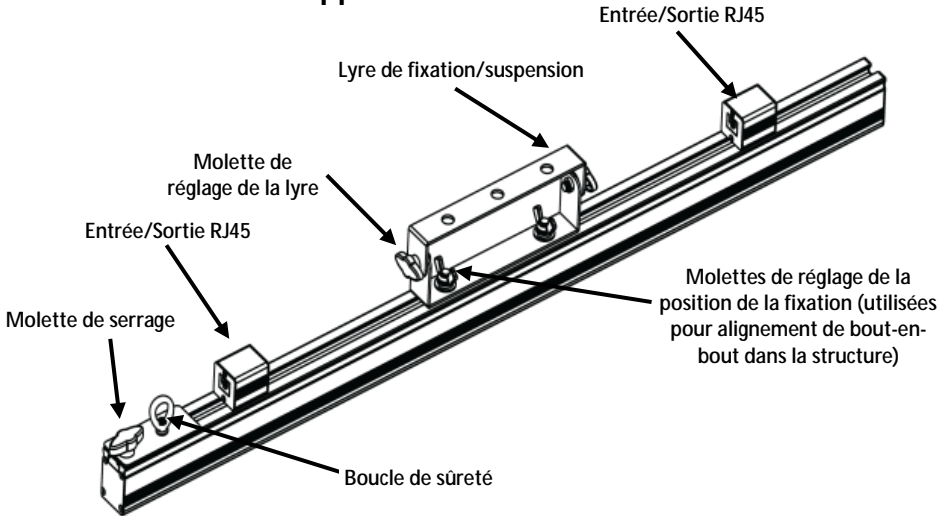
- Un ÉPIX™ Strip 2.0
- Un manuel de référence
- Un filtre transparent

**i** Si des éléments venaient à manquer, veuillez contacter votre revendeur auprès duquel vous avez passé commande.

## Dimensions de l'Appareil



## Vue d'Ensemble de l'Appareil



## Procédure d'Installation

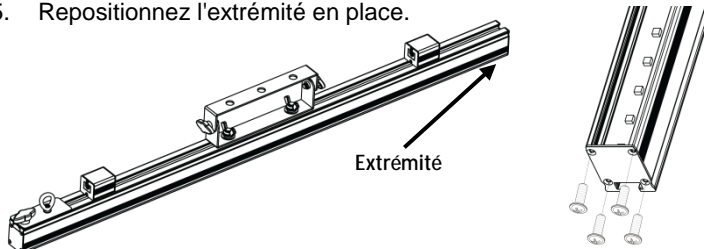
Avant d'installer l'unité, lisez entièrement le manuel joint dans le colis à cette unité.

1. Déballer tous les éléments avec précaution et placez-les sur une base sécurisée.
2. Connectez l'ÉPIX™ Strip 2.0 à la sortie de l'ÉPIX™ Drive 642 au moyen d'un câble Ethernet standard.

## Installation du Filtre Transparent/Dépoli

L'ÉPIX™ Strip 2.0 est livré avec un filtre dépoli déjà en place. Suivez la procédure suivante pour installer le filtre transparent.

1. Trouvez l'extrémité de l'unité ne comportant aucun matériel de connexion.
2. Retirez-en les 4 vis.
3. Faites glisser le filtre installé et retirez-le.
4. Insérez le filtre choisi.
5. Repositionnez l'extrémité en place.



**i** Veillez à installer le filtre dépoli face brillante du côté LED.

## Montage

L'ÉPIX™ Strip 2.0 est fourni avec une fixation ajustable et une boucle de sécurité. Cette fixation comporte trois (3) orifices de 13 mm pour assemblage du clip directement sur les fixations ajustables de l'unité. Elle sert également de support pour pose au sol ou fixation sur mur. La boucle de sécurité est utilisée pour attacher l'élingue de sécurité.

Vous devez acheter vos propres clips et vous assurer qu'ils sont homologués pour le poids de votre unité. Avant d'installer cet appareil, lisez, assimilez et suivez les recommandations en matière de sécurité reprises dans la section [Consignes de sécurité](#).

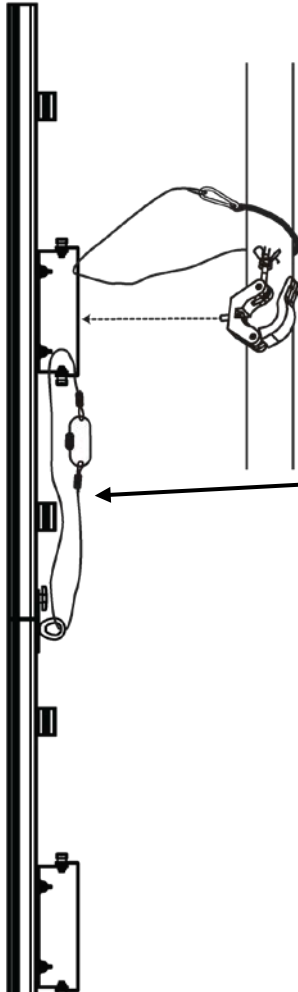
### Directives de Montage

CHAUVET® recommande d'utiliser les directives suivantes lors du montage de cette unité.

- Avant de décider où installer l'appareil, assurez-vous qu'il soit facile d'y accéder pour toute opération de maintenance et de programmation.
- Assurez-vous que la structure ou la surface sur laquelle vous installez l'appareil peut en supporter le poids (voir les [Spécificités techniques](#)).
- Utilisez toujours un câble de sécurité lorsque vous montez cet appareil en hauteur. Garantissez un montage en toute sécurité de l'appareil en le reliant à un point de fixation, comme une plateforme en hauteur ou une structure.
- Lors de la suspension de l'appareil à une structure, vous devriez utiliser un clip de fixation en mesure de supporter la charge nécessaire.
- Les molettes de réglage de la fixation permettent d'ajuster la position de l'appareil lors de son positionnement à l'angle désiré. N'utilisez aucun outil pour relâcher ou resserrer les molettes de la fixation. En utiliser pourrait endommager les molettes.
- Lors de la pose de l'appareil au sol, assurez-vous que ni l'appareil ni aucun câble ne se trouve dans le chemin de véhicules ou personnes.

## Instructions de Montage à la Verticale

1. Attachez le clip à la fixation.
2. Montez l'unité sur la structure ou surface désirée.
3. Attachez l'élingue à la boucle de sécurité.



Lorsque vous suspendez verticalement plusieurs unités, veillez à sécuriser l'élingue de l'unité précédente au moyen de la boucle de sécurité située sur l'unité suivante.

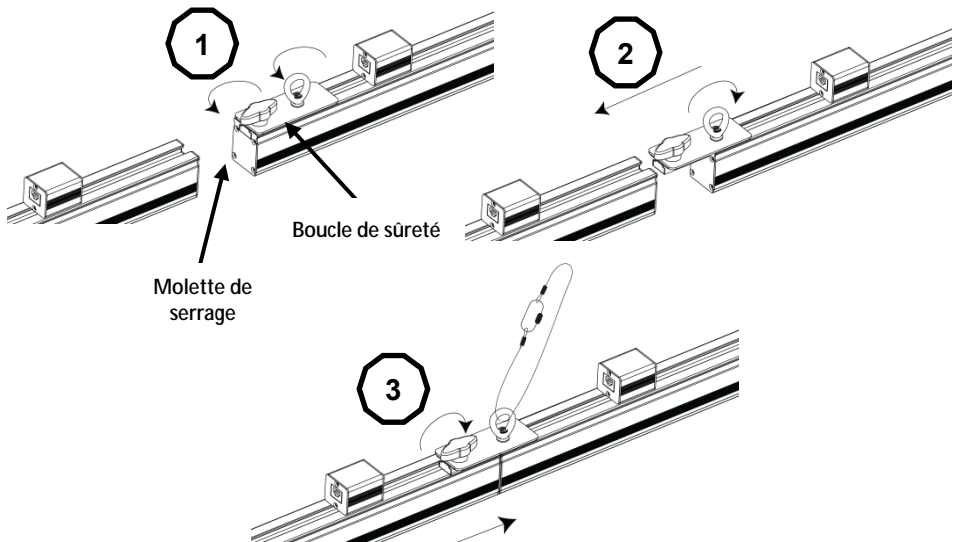
**i** Ne rattachez jamais plus de trois unités à l'unité principale en suspension verticale.



## Instructions de Raccordement en Série

L'ÉPIX™ Strip 2.0 peut être raccordé en formation de bout en bout afin de créer une bande de 4 mètres de long depuis un seul point d'attache. Ne connectez jamais en bande plus de 4 unités à la fois en suspension verticale.

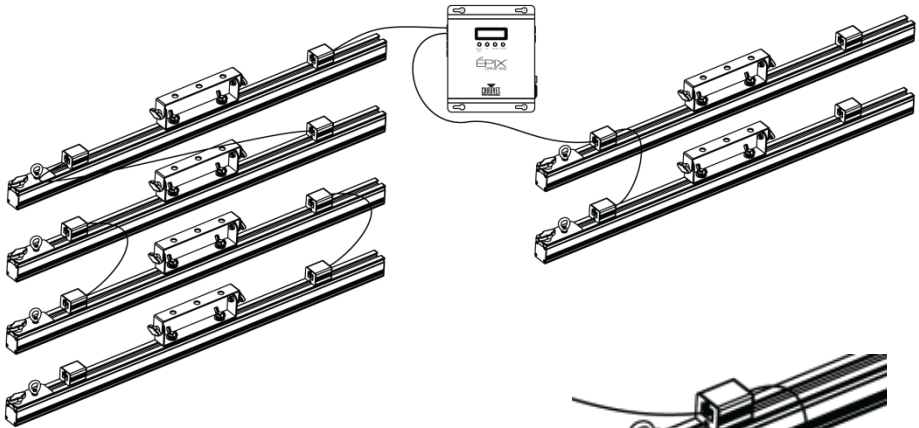
1. Relâchez la boucle de sécurité et dévissez la molette de serrage.
2. Faites sortir la fixation de connexion jusqu'à l'arrêt puis serrez la boucle de sécurité.
3. Faites glisser le 2<sup>e</sup> Epix™ Strip dans la fixation de connexion, resserrez la molette puis attachez l'élingue de sécurité.



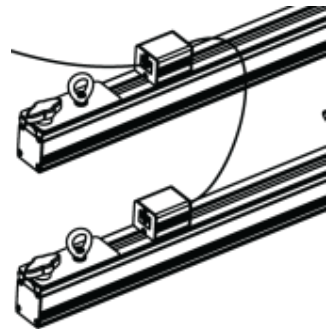
**i** Veillez à attacher l'élingue de sécurité en dernier quand vous montez en série les unités.

## Procédure de Raccordement des Câbles de Signal/Alimentation

L'ÉPIX™ Strip 2.0 utilise une connexion RJ45 pour raccord de tous les ports. Chaque bande peut être raccordée en chaîne avec une autre bande de bout en bout jusqu'à atteindre un maximum de 4. Le diagramme suivant illustre comment procéder au raccordement des connexions de données.



**Correct**



**Incorrect**

**i** Ne connectez jamais les deux ports de données à la même extrémité d'une unité.

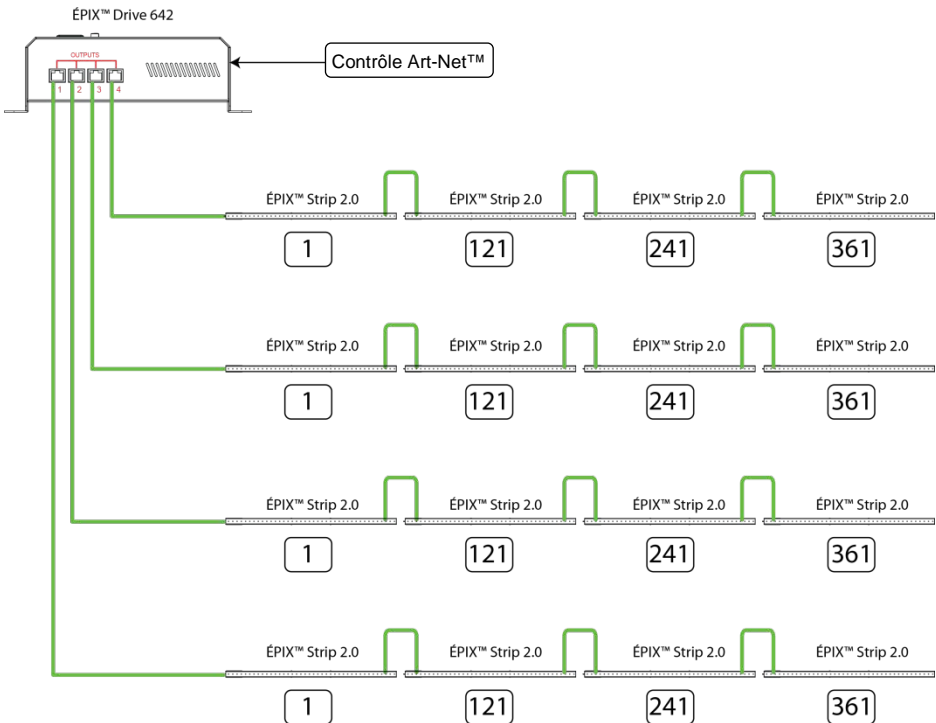
## Configurer l'Adresse de Chaque Sortie Lorsque Vous Utilisez Art-Net™

Lorsque vous utilisez Art-Net™, définissez l'adresse de chacune des sorties de l'ÉPIX™ Drive 642 : **Net**, **Subnet** et **Universe 1–4**.

Si vous utilisez 4 ÉPIX™ Strip 2.0 sur une seule sortie, le canal de départ doit être défini sur **1**.

Conformément à l'ordre de connexion, en sortie de l'ÉPIX™ Drive 642, chaque ÉPIX™ Strip 2.0 aura automatiquement pour adresse Art-Net™ les suivantes : 1, 121, 241 et 361.

**i** Les canaux de départ sur le jeu d'orgues de commande de l'éclairage (ou le serveur média/vidéo) devraient être configurés conformément aux données sus-mentionnées afin que vous puissiez commander individuellement chaque ÉPIX™ Strip 2.0.



## Entretien de l'Appareil

Pour une performance optimale et une usure minimisée, cet appareil doit être nettoyé régulièrement. Les conditions environnementales et d'utilisation peuvent exiger un nettoyage plus fréquent.

En règle générale, nettoyez cet appareil au moins deux fois par mois. L'accumulation de poussière réduit la sortie de lumière et peut entraîner une surchauffe de l'appareil. La vie des lampes s'en trouve réduite et l'usure mécanique accrue.

Nettoyer l'ÉPIX™ Strip 2.0 :

1. Débranchez l'appareil.
2. Attendez que celui-ci soit à température de la pièce.
3. Utilisez un aspirateur (ou de l'air comprimé sec) et une brosse douce pour enlever la poussière accumulée sur les ventilations externes et composants internes accessibles.
4. Nettoyez toutes les surfaces externes avec une solution non corrosive composée de nettoyeur pour vitres exempt d'ammoniaque ou d'alcool isopropylique.
5. Appliquez la solution directement sur un tissu doux en coton non pelucheux ou un tissu optique.

**Nettoyez toute trace de saleté ou d'impureté vers les bords extérieurs de la surface. Nettoyez délicatement les surfaces à l'aide du tissu doux en coton non pelucheux ou du tissu optique et jusqu'à ce que toute peluche ou trace de brouillard ait disparu. Assurez-vous de bien sécher toutes les surfaces après les avoir nettoyées.**



### Durée de Vie Estimée des LED

La luminosité des LED s'amointrit au fil du temps, généralement de par la chaleur émise. Regroupées, les LED en fonctionnement émettent une chaleur supérieure à celle idéale d'une LED seule. C'est pourquoi utiliser des groupes de LED à intensité maximale réduit leur durée de vie. Dans des conditions normales d'utilisation, leur durée de vie se situe entre 40 000 et 50 000 heures.

Si vous désirez en préserver la durée, abaissez la température de fonctionnement en améliorant la ventilation autour de l'appareil et en réduisant la température ambiante à une plage optimale pour un bon fonctionnement. De plus, limitez l'intensité générale de projection pourrait également contribuer à préserver la longue durée de vie des LED.

## Politique et Procédure de Renvois

Vous devez nous retourner la marchandise en port prépayé, dans ses boîte et emballage d'origine et avec tous ses accessoires. CHAUVET® ne délivrera pas d'étiquettes de renvoi.

Consultez la rubrique [Contact Us](#) (Nous Contacter) de ce manuel pour connaître nos adresses et numéros de téléphone.

1. Téléphonnez à CHAUVET® et demandez un *numéro d'autorisation de retour (NAR)* avant de nous réexpédier l'appareil. Pour l'obtenir, il vous sera demandé de fournir le numéro du modèle, le numéro de série ainsi qu'une brève description de l'objet du retour.
2. Une fois le numéro NAR communiqué, veuillez inclure les informations suivantes sur une feuille de papier et la joindre à votre colis :
  - Votre nom
  - Votre adresse
  - Votre numéro de téléphone
  - Le numéro NAR
  - Une courte description du problème
3. Indiquez lisiblement le *NAR* sur une étiquette apposée sur le colis.

CHAUVET® refusera la réception de tout appareil pour lequel aucun NAR n'a été demandé. Inscrivez le NAR sur une étiquette convenablement collée. **N'écrivez PAS** le NAR directement sur le colis.

### Présenter une Réclamation

Si l'emballage ou son contenu (aussi bien l'appareil que les accessoires) semble avoir été endommagé pendant le transport, ou s'il présente des signes de manipulation sans précaution, veuillez dès réception en notifier immédiatement le transporteur et non CHAUVET®. Ne pas enregistrer votre réclamation auprès du transporteur en temps et en heure peut entraîner une invalidation de celle-ci. De plus, gardez l'emballage et tous les matériaux d'emballage pour inspection.

Pour tout autre problème comme la non-livraison de pièces ou composants, des dommages non en rapport avec la livraison ou des vices cachés, veuillez déposer votre réclamation auprès de CHAUVET® dans les sept (7) jours après réception de la marchandise.

Veuillez à emballer précautionneusement l'appareil. L'utilisateur sera tenu responsable de tout dommage survenant lors de l'expédition de retour dû à un emballage inadéquat. CHAUVET® recommande d'utiliser un double emballage ou un emballage homologué FedEx.

CHAUVET® se réserve le droit, à sa convenance, de réparer ou remplacer tout appareil qui lui est retourné.

## Spécificités Techniques

<b>Dimensions et Poids</b>	<b>Longueur</b>	<b>Largeur</b>	<b>Hauteur</b>	<b>Poids</b>
	39,4 pouces (1 000 mm)	4,60 pouces (118 mm)	1,4 pouces (37 mm)	4,4 lb (2 kg)
<b>À noter :</b> Les dimensions en pouces sont arrondies à la décimale la plus proche.				
<b>Électricité</b>	<b>Source d'alimentation</b>	<b>Plage</b>		
	ÉPIX™ Drive 642	100 à 240 V, 50/60 Hz		
	<b>Paramètre</b>	<b>120 V, 60 Hz</b>	<b>230 V, 50 Hz</b>	
	Consommation	20 W	39 W	
	En fonctionnement	0,11 A	0,03 A	
	<b>E/S</b>	<b>Entrée/Sortie</b>		
	Port de connexion	RJ45		
	Fiche du cordon	RJ45		
	Mesures minimales	24 AWG		
	<b>Source Lumineuse</b>	<b>Type</b>	<b>Interrupteur d'alimentation</b>	<b>Durée de vie</b>
LED		24 VCC	50 000 heures	
<b>Couleur</b>		<b>Quantité/Pixels</b>		
LED SMD 5050 tricolores		40		
<b>Paramètre</b>		<b>Filtre transparent</b>	<b>Filtre dépoli</b>	
<b>Photo-optique</b>	Luminance	1 174 NITS	828 NITS	
	Pas de pixel	25 mm		
	Fréquence de rafraîchissement	4,5 KHz		
	Angle de vision	120°		
<b>Thermique</b>	<b>Température externe maximale</b>	<b>Système de refroidissement</b>		
	104 °F (40 °C)	Convection		
	<b>Connecteurs E/S</b>	<b>Plage de canal</b>		
<b>Connexion de Données</b>	RJ45	Kling-Net	Déterminée par le logiciel MediaMaster™ d'ArKaos	
		Art-Net™	120 canaux chacun	
<b>Commander</b>	<b>Nom de l'appareil</b>	<b>Code de l'article</b>	<b>Numéro UPC</b>	
	ÉPIX™ Strip 2.0	03090732	781462210809	

## Informations Légales

### Marques Déposées

CHAUVET® est une marque déposée de CHAUVET & Sons Inc. (exerçant également ses activités commerciales sous les appellations CHAUVET® ou Chauvet). Le logo CHAUVET® y compris le nom CHAUVET le triangle inversé à points, ainsi que toutes les autres marques reprises dans ce manuel faisant partie des services, produits ou communiqués ou slogans marketing (par exemple : It's Green Thinking™ (Conçu écologiquement)) sont la propriété ou sous licence de CHAUVET®. Tout autre nom, logo, marque, nom de société ou autres marques déposées reprises ou nommées dans ce document sont la propriété de leurs détenteurs respectifs. Art-Net™ est conçu et sous droits d'auteur d'Artistic Licence Holdings Ltd.

### Note de Droits d'Auteur

CHAUVET® est propriétaire du contenu de ce manuel dans son ensemble, notamment des images, logos, marques déposées et ressources.

© Copyright 2014 CHAUVET®. Tous droits réservés.

Publié électroniquement par CHAUVET® aux États-Unis.

### Clause de Non- Responsabilité

CHAUVET® estime que les informations reprises dans ce manuel sont véridiques en tout point. Toutefois, si des erreurs ou omissions venaient à être détectées, CHAUVET® n'en assume aucune responsabilité. CHAUVET® se réserve le droit de réviser et modifier le contenu de ce document sans devoir en notifier quiconque, qu'il s'agisse d'un utilisateur ou d'une société. Ceci ne constitue en aucun cas un engagement de CHAUVET® à devoir apporter des modifications. CHAUVET® peut être amené à publier une révision de ce manuel ou une nouvelle édition de celui-ci en vue d'y incorporer de tels changements.

## À Propos du Manuel de Référence

Le manuel de référence de l'ÉPIX™ Strip 2.0 est sujet à modifications, sans préavis. Téléchargez la dernière version de ce manuel sur [www.chauvetlighting.com](http://www.chauvetlighting.com).

CHAUVET® autorise ses clients à télécharger et imprimer ce manuel à des fins informatives et professionnelles uniquement. CHAUVET® interdit formellement l'utilisation, la copie, le stockage, la distribution, la modification ou l'impression de ce manuel ou de son contenu pour toute autre fin sans l'accord écrit de CHAUVET®.

Pour des résultats optimaux, imprimez ce document en couleur, recto-verso, sur papier type lettre américaine (21,6 x 29,7 cm). Si vous utilisez du papier A4 (21 x 29,7 cm), veuillez à configurer votre imprimante en fonction.

**Contact Us** **WORLD HEADQUARTERS - CHAUVET®****General Information**

Address: 5200 NW 108<sup>th</sup> Avenue  
Sunrise, FL 33351  
Voice: (954) 577-4455  
Fax: (954) 929-5560  
Toll free: (800) 762-1084

**Technical Support**

Voice: (954) 577-4455 (Press 4)  
Fax: (954) 756-8015  
Email: [tech@chauvetlighting.com](mailto:tech@chauvetlighting.com)

**World Wide Web**

[www.chauvetlighting.com](http://www.chauvetlighting.com)

**UNITED KINGDOM AND IRELAND - CHAUVET® Europe Ltd.****General Information**

Address: Unit 1C  
Brookhill Road Industrial Estate  
Pinxton, Nottingham, UK  
NG16 6NT  
Voice: +44 (0)1773 511115  
Fax: +44 (0)1773 511110

**Technical Support**

Email: [uktech@chauvetlighting.com](mailto:uktech@chauvetlighting.com)

**World Wide Web**

[www.chauvetlighting.co.uk](http://www.chauvetlighting.co.uk)

**MEXICO - CHAUVET® Mexico****General Information**

Address: Av. Santa Ana 30  
Parque Industrial Lerma  
Lerma, Mexico C.P. 52000  
Voice: +52 (728) 285-5000

**Technical Support**

Email: [servicio@chauvet.com.mx](mailto:servicio@chauvet.com.mx)

**World Wide Web**

[www.chauvet.com.mx](http://www.chauvet.com.mx)

Outside the U.S., United Kingdom, Ireland, or Mexico, contact your dealer. Follow their instructions to request support or to return a product. Visit our website for contact details.

