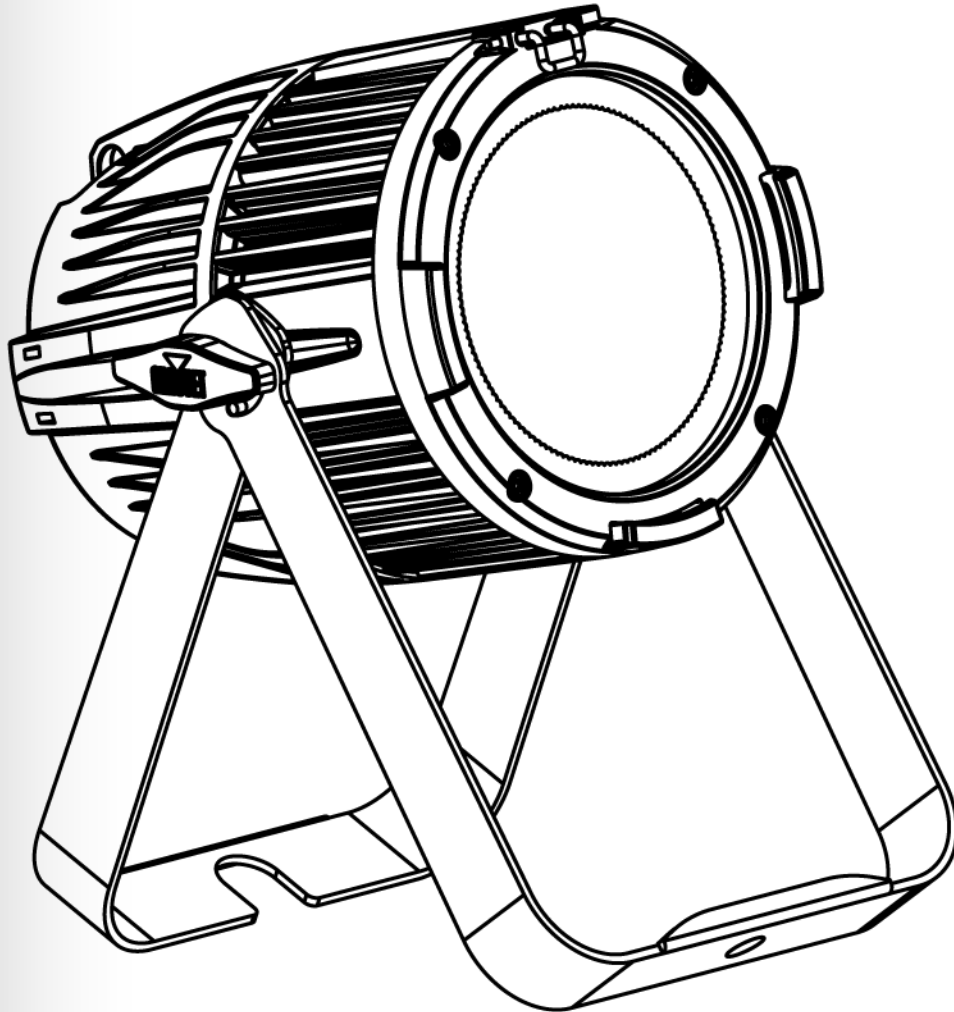


COLORdash

S - Par 1

User Manual



CHAUVET
PROFESSIONAL

Edition Notes The COLORdash S-Par 1 User Manual Rev. 2 includes a description, safety precautions, and installation, programming, operation, and maintenance instructions for the COLORdash S-Par 1 as of the release date of this edition in 2016.

Trademarks CHAUVET, the Chauvet logo and COLORdash S-Par 1 are registered trademarks or trademarks of Chauvet & Sons, LLC. (d/b/a Chauvet and Chauvet Lighting) in the United States and other countries. Other company and product names and logos referred to herein may be trademarks of their respective companies.

Copyright Notice The works of authorship contained in this manual, including, but not limited to, all design, text and images are owned by Chauvet.

© **Copyright 2016 Chauvet & Sons, LLC. All rights reserved.**

Electronically published by Chauvet in the United States of America.

Manual Use Chauvet authorizes its customers to download and print this manual for professional information purposes only. Chauvet expressly prohibits the usage, copy, storage, distribution, modification, or printing of this manual or its content for any other purpose without written consent from Chauvet.

Document Printing For better results, print this document in color, on letter size paper (8.5 x 11 in), double-sided. If using A4 paper (210 x 297 mm), configure your printer to scale the content accordingly.

Intended Audience Any person in charge of installing, operating, and/or maintaining this product should completely read through the guide that shipped with the product, as well as this manual, before installing, operating, or maintaining this product.

Disclaimer Chauvet believes that the information contained in this manual is accurate in all respects. However, Chauvet assumes no responsibility and specifically disclaims any and all liability to any party for any loss, damage or disruption caused by any errors or omissions in this document, whether such errors or omissions result from negligence, accident or any other cause. Chauvet reserves the right to revise the content of this document without any obligation to notify any person or company of such revision, however, Chauvet has no obligation to make, and does not commit to make, any such revisions..

Document Revision The COLORdash S-Par 1 User Manual Rev. 2 is the first edition of this manual. Go to www.chauvetprofessional.com for the latest version.

Table of Contents

1. Before You Begin	1
What Is Included	1
Claims	1
Manual Conventions	1
Symbols	1
Safety Notes	2
Personal Safety.....	2
Mounting And Rigging.....	2
Power And Wiring	2
Operation	2
Expected LED Lifespan	2
2. Introduction	3
Description	3
Features.....	3
Overview	4
Dimensions	5
3. Setup	6
AC Power	6
AC Plug.....	6
Power Linking	6
DMX Linking.....	7
DMX Personalities.....	7
Master/Slave Connectivity.....	7
Mounting	8
Orientation	8
Rigging.....	8
Procedure	8
4. Operation	9
Control Panel Description	9
Control Options	9
Programming	9
Control Panel Lock	9
Passcode	9
Menu Map	10
Menu Map (Cont.)	11
Configuration (Standalone).....	12
Auto Programs	12
Master/Slave	12
White Balance	12
Static Fixed Color.....	12
Static Manual Color.....	12
Color Temperature.....	12
Dimmer Profiles.....	13
LED Frequency	13
Back Light	13
Fixture Hours/ Software Version	13
Configuration (DMX)	13
DMX Personalities.....	13
DMX Control.....	13
DMX Values	14
DMX Values (cont.).....	15
5. Technical Information	16

Table of Contents

Product Maintenance.....	16
6. Technical Specifications.....	17
Returns	18
Contact Us.....	19

1. Before You Begin




- What Is Included**
- COLORdash S-Par 1
 - Seetronic Powerkon IP65 power cord
 - Gel frame
 - Warranty Card
 - Quick Reference Guide

Claims Carefully unpack the product immediately and check the box to make sure all the parts are in the package and are in good condition. If the box or the contents (the product and included accessories) appear damaged from shipping or show signs of mishandling, notify the carrier immediately, not Chauvet. Failure to report damage to the carrier immediately may invalidate your claim. In addition, keep the box and contents for inspection. For other issues, such as missing components or parts, damage not related to shipping, or concealed damage, file a claim with Chauvet within 7 days of delivery.

Manual Conventions

Convention	Meaning
1–512	A range of values in the text
50/60	A set of mutually exclusive values in the text
<SET>	A button on the product’s control panel
Settings	A product function or a menu option
MENU>Settings	A sequence of menu options
1–10	A range of menu values from which to choose in a menu
Yes/No	A set of two mutually exclusive menu options in a menu
ON	A unique value to be entered or selected in a menu

Symbols

Symbols	Meaning
	Critical installation, configuration, or operation information. Failure to comply with this information may cause the product not to work, damage third-party equipment, or cause harm to the operator.
	Important installation or configuration information. Failure to comply with this information may keep the product from working.
	Useful information.



The term “DMX” used throughout this manual refers to the USITT DMX512-A digital data transmission protocol.



Any reference to data or power connections in this manual assumes the use of Seetronic IP rated cables

Safety Notes

Read all the following Safety Notes before working with this product. These notes include important information about the installation, usage, and maintenance of this product.



This product contains no user-serviceable parts. Any reference to servicing in this User Manual will only apply to properly trained Chauvet certified technicians. Do not open the housing or attempt any repairs.



All applicable local codes and regulations apply to proper installation of this product.

Personal Safety

- Avoid direct eye exposure to the light source while the product is on.
- Always disconnect this product from its power source before servicing.
- Always connect this product to a grounded circuit to avoid the risk of electrocution.
- Do not touch this product's housing during operation because it may be very hot.
- Do not submerge this product (IP65). Temporary outdoor operation is fine.
- When using this product in an outdoor environment, use IP65 (or higher) rated power and data cables. Be sure to secure unused power and data ports with attached IP65 covers.
- CAUTION: When transferring product from extreme temperature environments, (e.g. cold truck to warm humid ballroom) condensation may form on the internal electronics of the product. To avoid causing a failure, allow product to fully acclimate to the surrounding environment before connecting it to power.
- Not for permanent outdoor installation in locations with extreme environmental conditions. This includes, but is not limited to:

- Exposure to a marine/saline environment (within 3 miles of a saltwater body of water).
- Where the normal high or low temperatures of the location exceed the temperature ranges in this manual.
- Locations that are prone to flooding or being buried in snow.
- Other areas where the product will be subject to extreme radiation or caustic substances.

Mounting And Rigging

- Mount this product in a location with adequate ventilation, at least 20 in (50 cm) from adjacent surfaces.
- Make sure there are no flammable materials close to this product while it is operating.
- When hanging this product, always secure to a fastening device using a safety cable.
- Always make sure you are connecting this product to the proper voltage in accordance with the specifications in this manual or on the product's specification label.
- To eliminate unnecessary wear and improve its lifespan, during periods of non-use completely disconnect the product from power via breaker or by unplugging it.
- Never connect this product to a dimmer pack or rheostat.
- Never disconnect this product by pulling or tugging on the power cable.

Power And Wiring

Operation

- Do not operate this product if you see damage on the housing, lenses, or cables. Have the damaged parts replaced by an authorized technician at once.
- Do not cover the ventilation slots when operating to avoid internal overheating.
- The maximum ambient temperature is 113 °F (45 °C). Do not operate this product at a higher temperature.
- In case of a serious operating problem, stop using this product immediately!



Expected LED Lifespan

In the unlikely event that your Chauvet product requires service, contact Chauvet Technical Support.

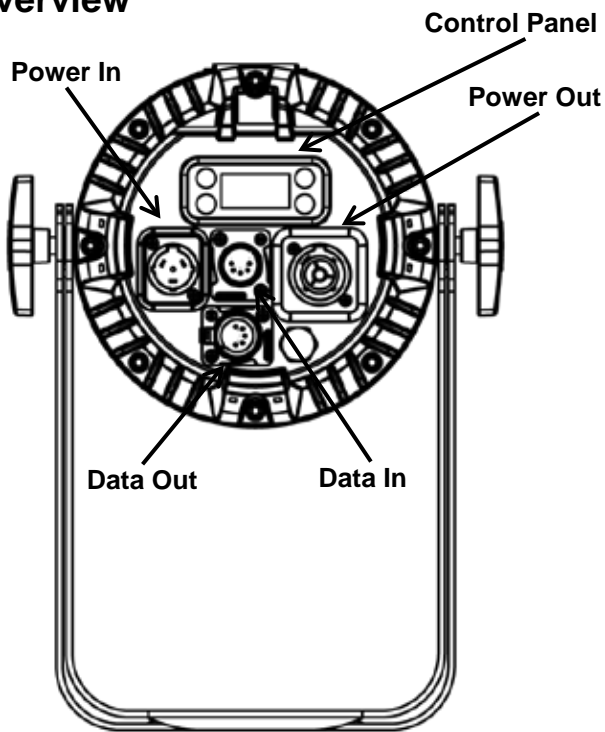
LEDs gradually decline in brightness over time, mostly because of heat. Packaged in clusters, LEDs exhibit higher operating temperatures than in ideal, single-LED conditions. For this reason, using clustered LEDs at their fullest intensity significantly reduces the LEDs' lifespan. Under normal conditions, this lifespan can be 40,000 to 50,000 hours. If extending this lifespan is vital, lower the operating temperature by improving the ventilation around the product and reducing the ambient temperature to an optimal operating range. In addition, limiting the overall projection intensity may also help to extend the LEDs' lifespan.

2. Introduction

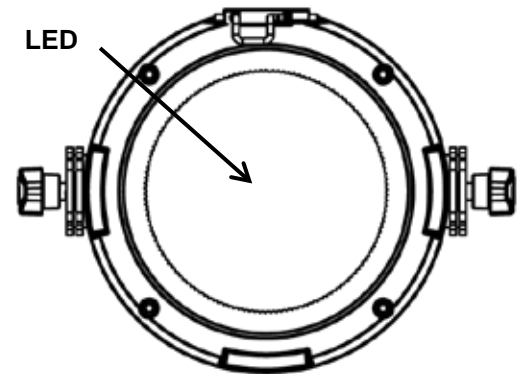
Description The COLORdash S-Par 1 is the first of the COLORdash products which appear to have a single light source. The high-power RGBA LED engine and homogenizing optic produce an evenly blended color palette with a subtle soft edge. The product is fully convection cooled and uses IP rated power and data connectors for indoor and outdoor use. A touch display and a double-bracketed yoke serve as a floor mount or hanging support bracket.

- Features**
- 4, 6, or 11-channel quad-color LED wash product
 - Operating modes:
 - 4-channel: RGBA
 - 6-channel: RGBA, dimmer, strobe
 - 11-channel: RGBA, dimmer; strobe, color macro/white balance, white temperature, auto programs, auto speed, dimmer speed
 - RGBA LED wash for events where indoor/outdoor flexibility is needed
 - Completely homogenized wash with superior color mixing
 - All environment operation with IP rated power and DMX connections
 - Color temperature presets from warm white to daylight
 - Selectable, smooth dimming curves for programming versatility
 - OLED display with password protection and touchscreen interface
 - Double-bracket yoke doubles as floor stand

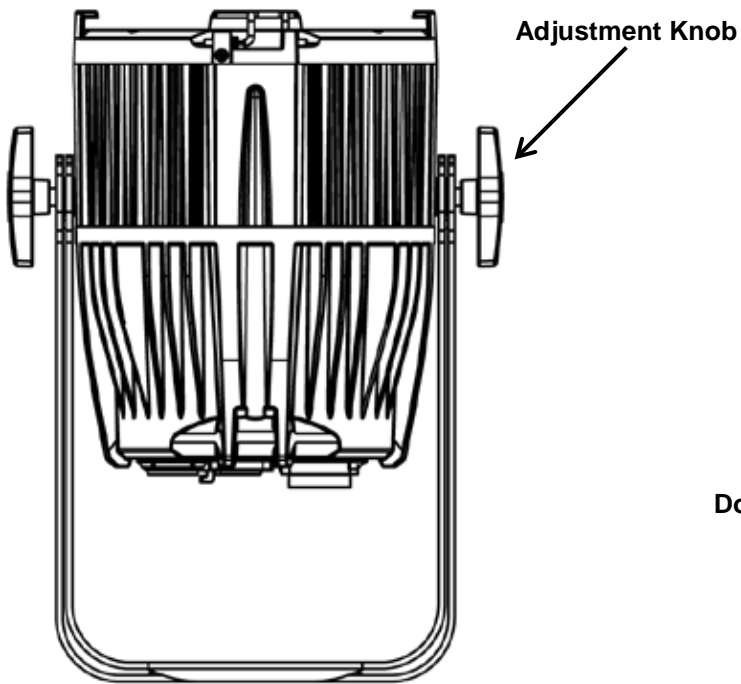
Overview



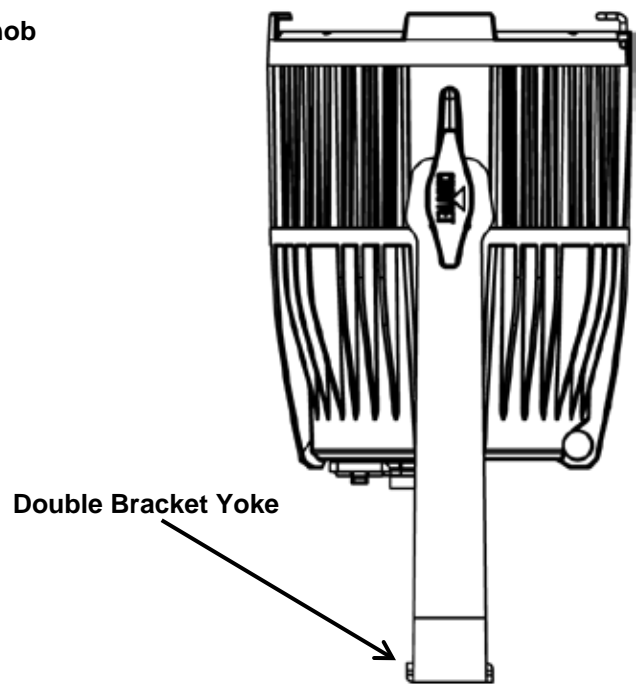
Rear View



Front View

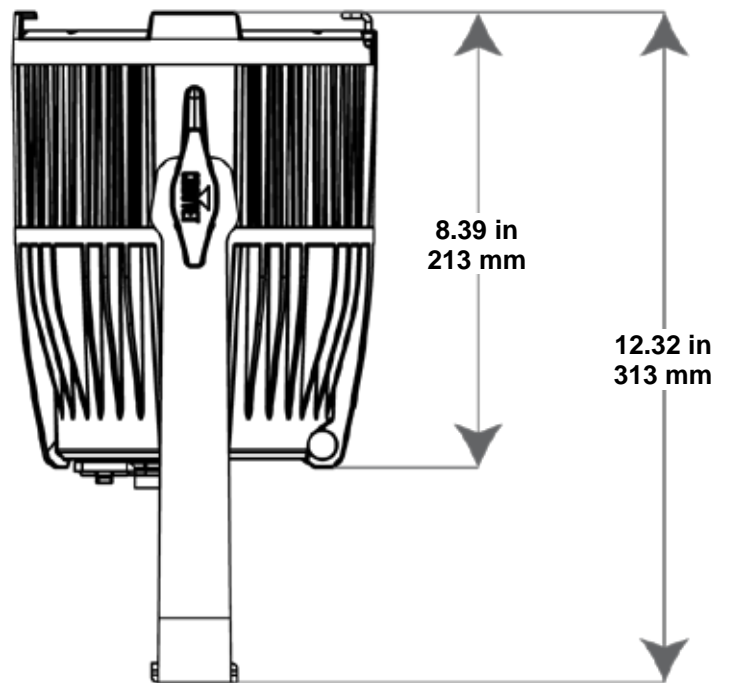
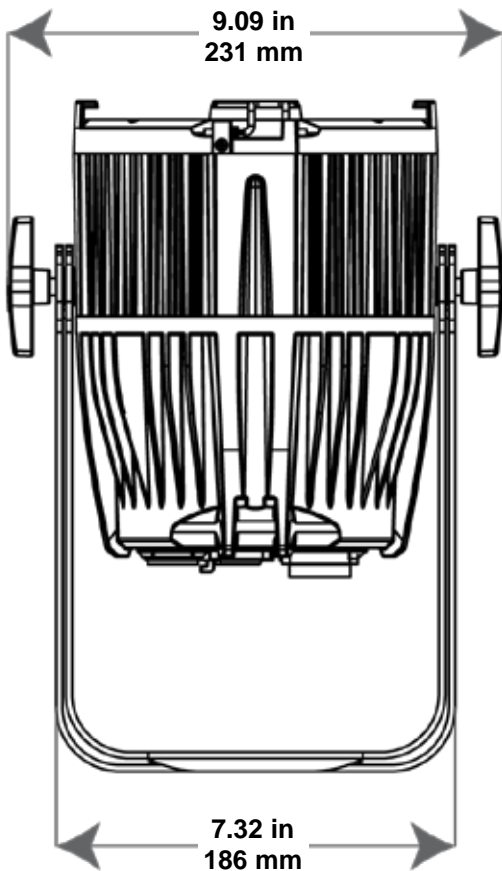
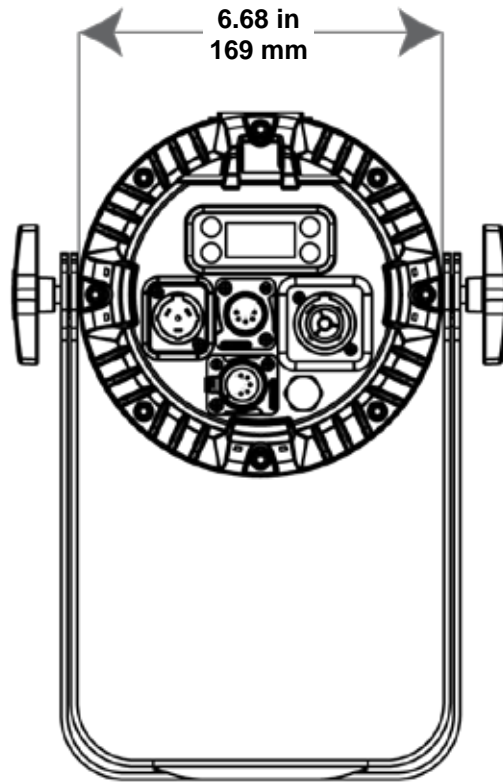


Top View



Side View

Dimensions



3. Setup

AC Power

Each COLORdash S-Par 1 has an auto-ranging power supply that works with an input voltage range of 100 to 240 VAC, 50/60 Hz. To determine the power requirements for each COLORdash 1 Solo, refer to the label affixed to the product. You can also refer to the [Technical Specifications](#) chart in this manual.

The listed current rating indicates the maximum current draw during normal operation. For more information, you may download Sizing Circuit Breakers from the Chauvet website: www.chauvetprofessional.com.



- **Always connect this product to a protected circuit with an appropriate electrical ground to avoid the risk of electrocution or fire.**
- **To eliminate unnecessary wear and improve its lifespan, during periods of non-use completely disconnect the product from power via breaker or by unplugging it.**



Never connect this product to a rheostat (variable resistor) or dimmer circuit, even if the rheostat or dimmer channel serves only as a 0 to 100% switch.

AC Plug

The COLORdash S-Par 1 comes with a power input cord terminated with a Seetronic Powerkon A connector on one end and an Edison plug on the other end (U.S. market). If the power input cord that came with your product has no plug, or if you need to change the Edison plug, use the table below to wire the new plug.

Connection	Wire (U.S.)	Wire (Europe)	Screw Color
AC Live	Black	Brown	Yellow or Brass
AC Neutral	White	Blue	Silver
AC Ground	Green/Yellow	Green/Yellow	Green

Power Linking

The COLORdash S-Par 1 supports power linking. You can power link up to 24 products at 120 V; up to 40 at 208 V; or up to 45 at 230 V.

This product comes with a power input cord. Power linking cables are available from Chauvet for purchase.



- **To preserve the IP65 rating and the warranty of this product, Seetronic Powerkon cables must be used.**
- **Insert the attached IP65 rated plugs into the corresponding power/data connections when not in use.**

DMX Linking You can link the COLORdash S-Par 1 to a DMX controller using a 5-pin DMX connection. If using other DMX-compatible products with the COLORdash S-Par 1, you can control each individually with a single DMX controller.

DMX Personalities The COLORdash S-Par 1 uses a 5-pin DMX data connection for the 5-, 6- and 11-channel DMX personalities.

- Refer to the [Introduction](#) chapter for a brief description of each DMX personality.
- Refer to the [Operation](#) chapter to learn how to configure the COLORdash S-Par 1 to work in these personalities.
- The [DMX Values](#) section provides you with detailed information regarding the DMX personalities.



If you are not familiar with or need more information about DMX standards, Master/Slave connectivity, or the DMX cables needed to link this product to a DMX controller, download the DMX Primer from the Chauvet website: www.chauvetprofessional.com.

Master/Slave Connectivity

The Master/Slave mode allows a COLORdash S-Par 1 (the master) to control one or more COLORdash S-Par 1s (the slaves) without a DMX controller. One COLORdash S-Par 1 becomes the master when running an auto or custom program, or by being in a Static mode. You must configure each slave's control panel to operate in Slave mode. During Master/Slave operation, the slaves will operate in unison with the master.



DO NOT connect a DMX controller to products operating in Master/Slave mode. The DMX controller signals may interfere with the signals from the master.



- The [Operation](#) section of this manual provides detailed instructions on how to configure the master and slaves.
- **If you are not familiar with or need more information about DMX standards, or the DMX cables needed to link this product to a DMX controller, download the DMX Primer from the Chauvet website: www.chauvetprofessional.com.**
- **To preserve the IP65 rating and the warranty of this product, IP65 data cables must be used.**
- **Insert the attached IP65 rated plugs into the corresponding power/data connections when not in use.**



Mounting Before mounting this product, read and follow the [Safety Notes](#). For our CHAUVET Professional line of mounting clamps, go to <http://trusst.com/products/>.

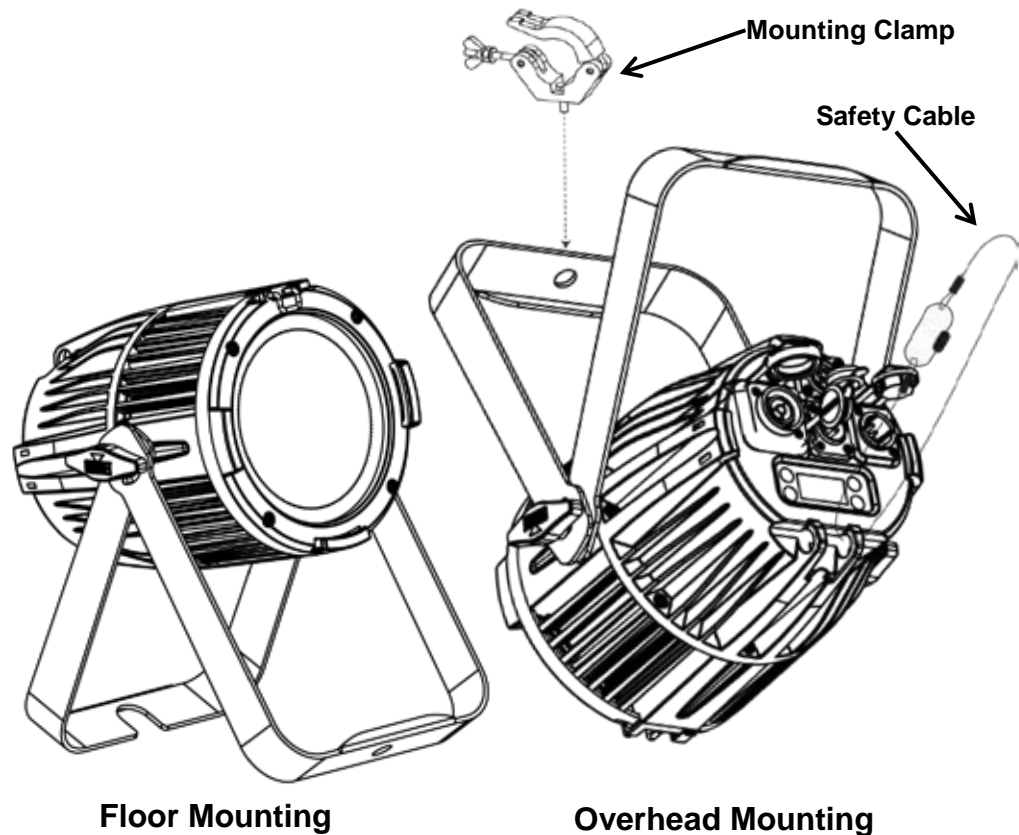
Orientation Always mount this product in a safe position and make sure there is adequate room for ventilation, configuration, and maintenance.

Rigging Chauvet recommends using the following general guidelines when mounting this product.

- When selecting an installation location, consider easy access to this product for operation, programming adjustments, and routine maintenance.
- The product is not intended for permanent installation.
- Make sure to mount this product away from any flammable material as indicated in the [Safety Notes](#).
- If hanging this product, make sure that the mounting location can support the product's weight. See the [Technical Specifications](#) for the weight-bearing requirements of this product.
- When hanging this product, always secure to a fastening device using a safety cable. For our CHAUVET Professional line of safety cables, go to <http://trusst.com/products/>.

Procedure The COLORdash S-Par 1 comes with a double-bracketed yoke to which you can either attach mounting clamps for hanging or simply use as a floor stand. You must supply your own mounting clamps. Make sure the clamps are capable of supporting the weight of this product. Use at least one mounting point per product. For our CHAUVET Professional line of mounting clamps, go to <http://trusst.com/products/>.

Mounting Diagram



4. Operation

Control Panel Description	Button	Function
	<MENU>	Exits from the current menu or function
	<ENTER>	Enables the currently displayed menu or sets the currently selected value in to the current function
	<UP>	Navigates upward through the menu list or increases the numeric value when in a function
	<DOWN>	Navigates downward through the menu list or decreases the numeric value when in a function

Control Options Set the COLORdash S-Par 1 starting address in the **001–512** DMX range. This enables control of up to 46 products in the 11-channel **11Ch** personality.

Programming Refer to the [Menu Map](#) to understand the menu options. The menu map shows the main level and a variable number of programming levels for each option.

- To go to the desired main level, press **<MENU>** repeatedly until the option shows on the display. Press **<ENTER>** to select. This will take you to the first programming level for that option.
- To select an option or value within the current programming level, press **<UP>** or **<DOWN>** until the option shows on the display. Press **<ENTER>** to select. In this case, if there is another programming level, you will see that first option, or you will see the selected value.
- Press **<MENU>** repeatedly to exit to the previous main level.

Control Panel Lock This setting enables you to activate or disable the control panel lock, which keeps non-authorized personnel from changing the product's settings.

1. Go to the **Key Lock** main level.
2. Select **ON** or **OFF**.



When the control panel lock is activated, in order to access the products main programming level, the product will prompt you to enter the passcode. Enter the passcode as described in [Passcode](#).

Passcode After being prompted to enter the passcode:

- Press **<UP>**, **<DOWN>**, **<UP>**, **<DOWN>**, **<ENTER>**.

Menu Map

Main Level	Programming Levels		Description	
DMX Address	001–512		Selects DMX address (highest channel restricted to personality chosen)	
DMX Channel	4 Ch		4-channel: RGBA control	
	6 Ch		6-channel: RGBA control, dimmer, and strobe	
	11Ch		11-channel: RGBA control, dimmer, strobe, color macro/white balance, white temperature, auto programs, auto speed, dimmer speed	
Static	Fixed Color	R	Red	
		G	Green	
		B	Blue	
		A	Amber	
		GB	Green/Blue	
		RB	Red/Blue	
		RG	Red/Green	
		RGB	Red/Green/Blue	
		RA	Red/Amber	
		GA	Green/Amber	
		BA	Blue/Amber	
		RGA	Red/Green/Amber	
		RBA	Red/Blue/Amber	
		GBA	Green/Blue/Amber	
	RGBA	Red/Green/Blue/Amber		
	Color Temperature	Warm White 1	Preset white color temperatures	
		Warm White 2		
		Warm White 3		
		Neutral White 1		
		Neutral White 2		
		Neutral White 3		
		Daylight 1		
		Daylight 2		
		Daylight 3		
	Moving Head White			
	Manual Color Mixer	Red	0–255	Combine red, green, blue, and amber to make a custom color (0–100%)
		Green		
Blue				
Amber				
Auto Show	Auto 1–5	Speed	0–100	Automatic programs

Menu Map (Cont.)

Main Level	Programming Levels			Description
Master/Slave Mode	Master			DMX mode (Master)
	Slave			Slave mode
Dimmer Mode	Off			No dimmer
	Dimmer 1–3			Dimming curves Dimmer 1 (fast) to Dimmer 3 (slow)
White Balance	Off			Uses factory default white setting
	Manual	R	125–255	Sets red LED maximum value
		G		Sets green LED maximum value
		B		Sets blue LED maximum value
LED Frequency	600Hz			Selects the PWM output frequency
	1200Hz			
	2000Hz			
	4000Hz			
	25KHz			
Key Lock	On			Turns the passcode on or off
	Off			
Back Light	10S			Turns off display backlight after 10 sec of inactivity
	20S			Turns off display backlight after 20 sec of inactivity
	30S			Turns off display backlight after 30 sec of inactivity
	On			Display backlight always on
Information	Fixture Hours			Shows total product hours
	Version			Shows installed software version

Configuration (Standalone) Use standalone configuration to operate the product without a DMX controller.

Auto Programs Auto programs allow for dynamic RGBA color mixing without a DMX controller.

1. Go to the **Auto Show** main level.
2. Select the desired auto (**Auto 1–5**).
3. Select the desired speed (**Speed 0–100**).



You cannot edit any of the auto programs.

Master/Slave The Master/Slave mode allows a group of COLORdash S-Par 1s (the slaves) to simultaneously duplicate the output of another COLORdash S-Par 1 (the master) without a DMX controller.

1. Set each of the slaves:
 - a. Go to the **Master/Slave** main level.
 - b. Select **Slave**.
2. Set the master:
 - a. Go to the **Master/Slave** main level.
 - b. Select **Master**.
 - c. Select an auto program as explained in [Auto Programs](#), or a static mix of colors.



- **The master is the one that runs a program whether in Auto, or Static Color mode.**
- **Do not connect a DMX controller to the products configured for Master/Slave operation. The DMX controller may interfere with signals from the master.**
- **The master should be the first product in the daisy chain.**

White Balance This setting allows for selection of the white balance shown by the COLORdash S-Par 1 when the color setting is **RGBA** and the DMX controller's red, green, and blue faders are set to **255**.

1. Go to the **White Balance** main level.
2. Select **Manual** to continue to adjust the white balance or **Off** to default to the original factory setting.
3. Select a color (**R, G, or B**).
4. Select a color value (**125–255**).
5. Repeat for the other colors.



The values of R (red), G (green), and B (blue) configured will define the color temperature shown when the RGB faders are set to 255.

Static Fixed Color The Static Fixed Color mode allows for permanent RGBA presets without a DMX controller.

1. Go to the **Static** main level.
2. Select **Fixed Color**.
3. Select the desired color (**R, G, B, A, GB, R B, RG, RGB, R A, G A, BA, RG A, R BA, GBA, or RGBA**).

Static Manual Color The Static Manual Color mode allows for permanent RGBA color mixing without a DMX controller.

1. Go to the **Static** main level.
2. Select **Manual Color Mixer**.
3. Select the desired color (**Red, Green, Blue, or Amber**).
4. Select the color value (**000–255**).
5. Repeat for the other colors.

Color Temperature The color temperature mode allows for permanent white color temperature presets without a DMX controller.

1. Go to the **Static** main level.
2. Select **Color Temperature**.
3. Select the desired color (**Warm White 1, Warm White 2, Warm White 3, Neutral White 1, Neutral White 2, Neutral White 3, Daylight 1, Daylight 2, Daylight 3, or Moving Head White**).

Dimmer Profiles This setting determines how fast the output of the COLORdash S-Par 1 changes when you modify the values of the red, green, blue, amber, and dimmer faders. This setting provides four different options to simulate the dimming curve of an incandescent lighting product.

1. Go to the **Dimmer Mode** main level.
2. Select a dimmer curve (**OFF**, **Dimmer 1**, **Dimmer 2**, or **Dimmer 3**).



OFF: The output is proportional (linear) to the dimmer and RGBA channel values.

Dimmer 1–3: The output follows the dimmer and RGBA channel values based on the corresponding dimmer curve, **DIM1** being the fastest and **DIM4** the slowest.

LED Frequency This option changes the Pulse Width Modulation (PWM) frequency of the LEDs on the COLORdash S-Par 1.

1. Go to the **LED Frequency** main level.
2. Select PWM Frequency (**600Hz**, **1200Hz**, **2000Hz**, **4000Hz**, or **25Khz**).

Back Light This setting allows for selection of the amount of time the backlight on the COLORdash S-Par 1's display stays on after the last button is pressed on the control panel.

1. Go to the **Back Light** main level.
2. Select **On** (remains on), **10S** (10 seconds), **20S** (20 seconds), or **30S** (seconds).

Fixture Hours/ Software Version This option displays the total number of hours the fixture has run, and the installed software version.

1. Go to the **Information** main level.
2. Select **Fixture Hours** or **Version**.

Configuration (DMX) Use DMX configurations to operate the product with a DMX controller.

DMX Personalities This setting allows you to choose a particular DMX personality.

1. Go to the **DMX Channel** main level.
2. Select the desired personality (**4 Ch**, **6 Ch**, or **11Ch**).



- See the [DMX Values](#) section for the highest starting address you can select for each personality.
- Make sure that the starting addresses on the various products do not overlap due to the new personality setting.

DMX Control In this mode, each product will respond to a unique starting address from the DMX controller. All products with the same starting address will respond in unison.

1. Select a DMX personality as shown in [DMX Personalities](#).
2. Set the starting address:
 - a. Go to **DMX Address** main level.
 - b. Select the starting address (**001–512**).

The highest recommended starting address for each DMX mode is as follows:



DMX Personality	DMX Address
11	502
6	507
4	509

DMX Values

11 Ch

Channel	Function	Value	Percent/Setting
1	Dimmer	000 ó 255	0–100%
2	Red	000 ó 255	0–100%
3	Green	000 ó 255	0–100%
4	Blue	000 ó 255	0–100%
5	Amber	000 ó 255	0–100%
6	Strobe	000 ó 010 011 ó 255	No function Slow to fast
7	Color Macro + White Balance	000 ó 010 011 ó 030 031 ó 050 051 ó 070 071 ó 090 091 ó 110 111 ó 130 131 ó 150 151 ó 170 171 ó 200 201 ó 205 206 ó 210 211 ó 215 216 ó 220 221 ó 225 226 ó 230 231 ó 235 236 ó 240 241 ó 245 246 ó 250 251 ó 255	No function R: 100% G: 0–100% B: 0 R: 100%–0 G: 100% B: 0 R: 0 G: 100% B: 0–100% R: 0 G: 100%–0 B: 100% R: 0–100% G: 0 B: 100% R: 100% G: 0 B: 100%–0 R: 100% G: 0–100% B: 0–100% R: 100%–0 G: 100%–0 B: 100% R: 100% G: 100% B: 100% A: 100% White 1 White 2 White 3 White 4 White 5 White 6 White 7 White 8 White 9 White 10 White 11
8	Color Temperature	000 ó 005 006 ó 025 026 ó 050 051 ó 075 076 ó 100 101 ó 125 126 ó 150 151 ó 175 176 ó 200 201 ó 225 226 ó 250 251 ó 255	No function R: 255 G: 215 B: 076 A: 251 R: 255 G: 236 B: 095 A: 252 R: 249 G: 249 B: 108 A: 253 R: 229 G: 255 B: 125 A: 239 R: 197 G: 242 B: 133 A: 207 R: 187 G: 235 B: 136 A: 191 R: 169 G: 236 B: 148 A: 207 R: 168 G: 240 B: 156 A: 204 R: 167 G: 244 B: 165 A: 201 R: 167 G: 255 B: 183 A: 192 No function
9	Auto Programs	000 ó 010 011 ó 060 061 ó 110 111 ó 160 161 ó 210 211 ó 255	No function Auto 1 Auto 2 Auto 3 Auto 4 Auto 5
10	Auto Speed	000 ó 255	Slow to fast
11	Dimmer Speed	000 ó 051 052 ó 101 102 ó 152 153 ó 203 204 ó 255	Preset dimmer speed from display menu Linear dimmer Nonlinear dimming curve 1 (fastest) Nonlinear dimming curve 2 Nonlinear dimming curve 3 (slowest)

DMX Values (cont.)

6 Ch		Channel	Function	Value	Percent/Setting
	1		Dimmer	000 ó 255	0–100%
	2		Red	000 ó 255	0–100%
	3		Green	000 ó 255	0–100%
	4		Blue	000 ó 255	0–100%
	5		Amber	000 ó 255	0–100%
	6		Strobe	000 ó 010 011 ó 255	No function Slow to fast
4 Ch		Channel	Function	Value	Percent/Setting
	1		Red	000 ó 255	0–100%
	2		Green	000 ó 255	0–100%
	3		Blue	000 ó 255	0–100%
	4		Amber	000 ó 255	0–100%

5. Technical Information

Product Maintenance

To maintain optimum performance and minimize wear, clean this product frequently. Usage and environment are contributing factors in determining the cleaning frequency.

Clean this product at least twice a month. Dust build-up reduces light output performance and can cause overheating. This can lead to reduced light source life and increased mechanical wear.

To clean your product:

1. Unplug the product from power.
2. Wait until the product is at room temperature.
3. Use a vacuum (or dry compressed air) and a soft brush to remove dust collected on the external vents.
4. Clean all external surfaces with a mild solution of non-ammonia glass cleaner or isopropyl alcohol.
5. Apply the solution directly to a soft, lint-free cotton cloth or a lens cleaning tissue.
6. Wipe any dirt or grime to the outside edges of the lens surface.
7. Gently polish the lens surfaces until they are free of haze and lint.



Always dry the external surfaces thoroughly and carefully after cleaning them.

6. Technical Specifications

Dimensions and Weight	Length	Width	Height	Weight
	12.32 in (313 mm)	9.09 in (231 mm)	8.38 in (213 mm)	14.35 lb (6.5 kg)
Note: Dimensions in inches rounded to the nearest decimal digit.				
Power	Power Supply Type	Range		Voltage Selection
	Switching (internal)	100–240 VAC, 50/60 Hz		Auto-ranging
	Parameter	120 VAC, 60 Hz		230 VAC, 50 Hz
	Consumption	66 W		65 W
	Current	0.551 A		0.301 A
	Power linking current (products)	13.6 A (24 products)		13.6 A (45 products)
	Power I/O	U.S./Canada		Worldwide
	Power input connector	Seetronic Powerkon IP65 A		Seetronic Powerkon IP65 A
	Power output connector	Seetronic Powerkon IP65 B		Seetronic Powerkon IP65 B
	Power cord plug	Edison (U.S.)		Local plug
Light Source	Type	Power		Lifespan
	LED	3 to 4 W		50,000 hours
	Color	Quantity		Current
	Red	6		950 mA
	Green	7		950 mA
	Blue	6		950 mA
	Amber	8		950 mA
Photometrics	Parameter	Standard Optics		
	Illuminance @ 5 m	377 lux		
	Beam angle	22°		
	Field angle	42°		
Thermal	Max. External Temperature	Cooling System		
	113 °F (45 °C)	Convection		
DMX	I/O Connectors	Connector Type		Channel Range
	Seetronic IP65 5-pin XLR	Sockets		3, 6 or 11
Ordering	Product Name	Item Code		UPC Number
	COLORdash S-Par 1	03031126		781462214746



UL 1573
CSA C22.2 No. 166
E113093



Returns Send the product prepaid, in the original box, and with the original packing and accessories. Chauvet will not issue call tags.
Call Chauvet and request a Return Merchandise Authorization (RMA) number before shipping the product. Be prepared to provide the model number, serial number, and a brief description of the cause(s) for the return.
Clearly label the package with an RMA number. Chauvet will refuse any product returned without an RMA number.



DO NOT write the RMA number directly on the box. Instead, write it on a properly affixed label.

Once you have received the RMA number, include the following information on a piece of paper inside the box:

- Your name
- Your address
- Your phone number
- The RMA number
- A brief description of the problem(s)

Pack the product properly. Any shipping damage resulting from inadequate packaging will be the customer's responsibility. FedEx packing or double-boxing is recommended.



Chauvet reserves the right to use its own discretion to repair or replace returned product(s).

Contact Us

USA WORLD HEADQUARTERS

General Information – Chauvet

Address: 5200 NW 108th Avenue
Sunrise, FL 33351

Voice: (954) 577-4455

Fax: (954) 929-5560

Toll free: (800) 762-1084

Technical Support

Voice: (844) 393-7575

Fax: (954) 756-8015

Email: chauvetcs@chauvetlighting.com

Website www.chauvetlighting.com

EUROPE

General Information - Chauvet Europe BVBA

Address: Stokstraat 18
9770 Kruishoutem
Belgium

Voice: +32 9 388 93 97

Technical Support

Email: Eutech@chauvetlighting.eu

Website www.chauvetlighting.eu

General Information - Chauvet Europe Ltd.

Address: Unit 1C
Brookhill Road Industrial Estate
Pinxton, Nottingham, UK
NG16 6NT

Voice: +44 (0)1773 511115

Fax: +44 (0)1773 511110

Technical Support

Email: uktech@chauvetlighting.com

Website www.chauvetlighting.co.uk

MEXICO

General Information - Chauvet Mexico

Address: Av. de las Partidas 34-3B
Zona Industrial Lerma
Lerma, Mexico C.P. 52000

Voice: +52 (728) 285-5000

Technical Support

Email: servicio@chauvet.com.mx

Website www.chauvet.com.mx

Visit the applicable website above to verify our contact information and instructions to request support. Outside the U.S., United Kingdom, Ireland, Mexico, or Benelux contact the dealer of record.