

COLORADO PXL CURVE 12

User Manual



Model ID: COLORADOPXLCURVE12

CHAUVET
PROFESSIONAL

Edition Notes

The COLORado PXL Curve 12 User Manual includes a description, safety precautions, installation, programming, operation, and maintenance instructions for the COLORado PXL Curve 12 as of the release date of this edition.

Trademarks

Chauvet, Chauvet Professional, the Chauvet logo, and COLORado are registered trademarks or trademarks of Chauvet & Sons, LLC (d/b/a Chauvet and Chauvet Lighting) in the United States and other countries. Other company and product names and logos referred to herein may be trademarks of their respective companies.

Copyright Notice

The works of authorship contained in this manual, including, but not limited to, all designs, text, and images are owned by Chauvet.

© Copyright 2024 Chauvet & Sons, LLC. All rights reserved.

Electronically published by Chauvet in the United States of America.

Manual Use

Chauvet authorizes its customers to download and print this manual for professional information purposes only. Chauvet expressly prohibits the usage, copy, storage, distribution, modification, or printing of this manual or its content for any other purpose without written consent from Chauvet.

Document Printing

For best results, print this document in color, on letter size paper (8.5 x 11 in), double-sided. If using A4 paper (210 x 297 mm), configure the printer to scale the content accordingly.

Intended Audience

Any person installing, operating, and/or maintaining this product should completely read through the guide that shipped with the product, as well as this manual, before installing, operating, or maintaining this product.

Disclaimer

Chauvet believes that the information contained in this manual is accurate in all respects. However, Chauvet assumes no responsibility and specifically disclaims any and all liability to any party for any loss, damage, or disruption caused by any errors or omissions in this document, whether such errors or omissions result from negligence, accident, or any other cause. Chauvet reserves the right to revise the content of this document without any obligation to notify any person or company of such revision, however, Chauvet has no obligation to make, and does not commit to make, any such revisions.

Document Revision

Go to www.chauvetprofessional.com for the latest version.

Revision	Date	Description
4	01/2024	Corrected a typo in the channel personalities

TABLE OF CONTENTS

1. Before You Begin 1

- What Is Included 1
- Claims 1
- Manual Conventions 1
- Symbols 1
- Safety Notes..... 2
- FCC Statement of Compliance 3
- RF Exposure Warning for North America and Australia..... 3
- Expected LED Lifespan..... 3

2. Introduction 4

- Description 4
- Features 4
- Product Overview 5
- Product Dimensions 6

3. Setup 7

- AC Power 7
 - AC Plug..... 7
 - Power Linking..... 7
- Signal Connections 7
 - Control Personalities 7
 - DMX Linking..... 8
 - Art-Net™ Connection 8
 - sACN Connection..... 8
 - Remote Device Management..... 8
 - Connection Diagram 8
- USB Software Update 9
- Mounting 10
 - Orientation..... 10
 - Rigging 10
 - Procedure..... 10

4. Operation 11

- Control Panel Operation..... 11
- Protocol Configuration..... 11
 - Control Mode..... 11
 - Control Personalities 11
 - Starting Address..... 12
 - Universe 12
- Menu Map 13
- DMX Values 16
 - Single Control Mode..... 16
 - Dual Control Mode - Movement 25
 - Dual Control Mode - Pixels 27
- Tilt Macro 29
- Color Chart..... 29
- Strobe Settings..... 30
- Control Settings..... 30
- LED Macro 31

Patterns.....	32
Configuration.....	33
Test Mode.....	33
Setup.....	33
Tilt Orientation.....	33
Zoom Orientation.....	33
Display Orientation.....	34
Tilt Angle Range.....	34
Blackout on Tilt Movement.....	34
Backlight Timer.....	34
Loss of Data.....	34
Color-Mixing Mode.....	34
Dimmer Curve.....	34
Dimmer Speed.....	34
LED Frequency.....	35
Cell Order.....	35
Calibrated White.....	35
White Balance.....	35
Preset Functions.....	35
Reset Functions.....	35
Factory Reset.....	35
System Information.....	36
Offset Mode.....	36
Tilt.....	36
Zoom.....	36
MAC Address.....	36
Web Server.....	37
5. Maintenance.....	38
Product Maintenance.....	38
Torque Measurements.....	38
Vacuum Test Measurements.....	38
6. Technical Specifications.....	39
Contact Us.....	40
Warranty & Returns.....	40

Before You Begin

1. Before You Begin

What Is Included

- COLORado PXL Curve 12
- Seetronic Powerkon IP65 power cord
- 2 Omega bracket with mounting hardware
- Quick Reference Guide

Claims

Carefully unpack the product immediately and check the container to make sure all the parts are in the package and are in good condition.





If the box or the contents (the product and included accessories) appear damaged from shipping, or show signs of mishandling, notify the carrier immediately, not Chauvet. Failure to report damage to the carrier immediately may invalidate a claim. In addition, keep the box and contents for inspection.

For other issues, such as missing components or parts, damage not related to shipping, or concealed damage, file a claim with Chauvet within 7 days of delivery.

Manual Conventions

Convention	Meaning
1–512	A range of values
50/60	A set of values of which only one can be chosen
<SET>	A button on the product's control panel
Settings	A product function or a menu option

Symbols

Symbol	Meaning
	Electrical warning. Not following these instructions may cause electrical damage to the product, accessories, or the user.
	Critical installation, configuration, or operation information. Not following these instructions may make the product not work, cause damage to the product, or cause harm to the operator.
	Important installation or configuration information. The product may not function correctly if this information is not used.
	Useful information.



Any reference to data or power connections in this manual assumes the use of Seetronic IP-rated cables.



The term “DMX” used throughout this manual refers to the USITT DMX512-A digital data transmission protocol.

Safety Notes

Read all the following safety notes before working with this product. These notes contain important information about the installation, usage, and maintenance of this product.



This product contains no user-serviceable parts. Any reference to servicing in this User Manual will only apply to properly trained, certified technicians. Do not open the housing or attempt any repairs.



All applicable local codes and regulations apply to proper installation of this product.

- The luminaire is intended for professional use only.
- The luminaire should be positioned so that prolonged staring into the luminaire at a distance closer than 40 ft (12.2 m) is not expected.
- If the external flexible cable or cord of this luminaire is damaged, it shall be replaced by a special cord or cord exclusively available from the manufacturer or its service agent.
- The light source contained in this luminaire shall only be replaced by the manufacturer or its service agent or a similar qualified person.
- **CAUTION:**
 - This product's housing may be hot when operating. Mount this product in a location with adequate ventilation, at least 20 in (50 cm) from adjacent surfaces.
 - When transferring the product from extreme temperature environments, (e.g., cold truck to warm humid ballroom) condensation may form on the internal electronics of the product. To avoid causing a failure, allow the product to fully acclimate to the surrounding environment before connecting it to power.
 - Flashing light is known to trigger epileptic seizures. User must comply with local laws regarding notification of strobe use.
- **ALWAYS:**
 - Disconnect from power before cleaning the product or replacing the fuse.
 - When using an IP65-rated product in an outdoor environment, use IP65- (or higher) rated power and data cable.
 - Replace and secure IP-rated protective covers to all power, data, USB, or other ports when not in use.
 - Replace the fuse with the same type and rating.
 - Use a safety cable when mounting this product overhead.
 - Connect this product to a grounded and protected circuit.
- **DO NOT:**
 - Open this product. It contains no user-serviceable parts.
 - Look at the light source when the product is on.
 - Leave any flammable material within 20 cm of this product while operating or connected to power.
 - Connect this product to a dimmer or rheostat.
 - Operate this product if the housing, lenses, or cables appear damaged.
 - Submerge this product (adhere to standards for the published IP rating). Regular outdoor operation is fine.
 - Permanently install outdoors in locations with extreme environmental conditions. This includes, but is not limited to:
 - Exposure to a marine/saline environment (within 3 miles of a saltwater body of water).
 - Locations where normal temperatures exceed the temperature ranges in this manual.
 - Locations that are prone to flooding or being buried in snow.
 - Other areas where the product will be subject to extreme radiation or caustic substances.
- **ONLY** use the handles or the hanging/mounting brackets to carry this product.
- The maximum ambient temperature is 113 °F (45 °C). Do not operate this product at higher temperatures.
- The minimum startup temperature is -4°F (-20°C). Do not start the product at lower temperatures.
- The minimum ambient temperature is -22°F (-30°C). Do not operate the product at lower temperatures.
- To eliminate unnecessary wear and improve its lifespan, during periods of non-use completely disconnect the product from power via breaker or by unplugging it.
- In the event of a serious operating problem, stop using immediately.



If a Chauvet product requires service, contact Chauvet Technical Support.

Before You Begin

FCC Statement of Compliance

This device complies with Part 15 Part B of the FCC rules. Operation is subject to the following two conditions:

1. This device may not cause harmful interference, and
2. This device must accept any interference received, including interference that may cause undesired operation.

This equipment has been tested and found to comply with the limits for a Class B digital device, pursuant to Part 15 of the FCC Rules. These limits are designed to provide reasonable protection against harmful interference in a residential installation. This equipment generates uses and can radiate radio frequency energy and, if not installed and used in accordance with the instructions, may cause harmful interference to radio communications. However, there is no guarantee that interference will not occur in a particular installation. If this equipment does cause harmful interference to radio or television reception, which can be determined by turning the equipment off and on, the user is encouraged to try to correct the interference by one or more of the following measures:

- Reorient or relocate the receiving antenna.
- Increase the separation between the equipment and receiver.
- Connect the equipment into an outlet on a circuit different from that to which the receiver is connected.
- Consult the dealer or an experienced radio/TV technician for help.

Any changes or modifications not expressly approved by the party responsible for compliance could void the user's authority to operate the equipment.

RF Exposure Warning for North America and Australia

Warning! This equipment complies with FCC radiation exposure limits set forth for an uncontrolled environment. This equipment should be installed and operated with a minimum distance of 20 cm between the radiator and the user. This transmitter must not be co-located or operating in conjunction with any other antenna or transmitter.

Expected LED Lifespan

Over time, use and heat will gradually reduce LED brightness. Clustered LEDs produce more heat than single LEDs, contributing to shorter lifespans if always used at full intensity. The average LED lifespan is 40,000 to 50,000 hours. To extend LED lifespan, maintain proper ventilation around the product, and limit the overall intensity.

2. Introduction

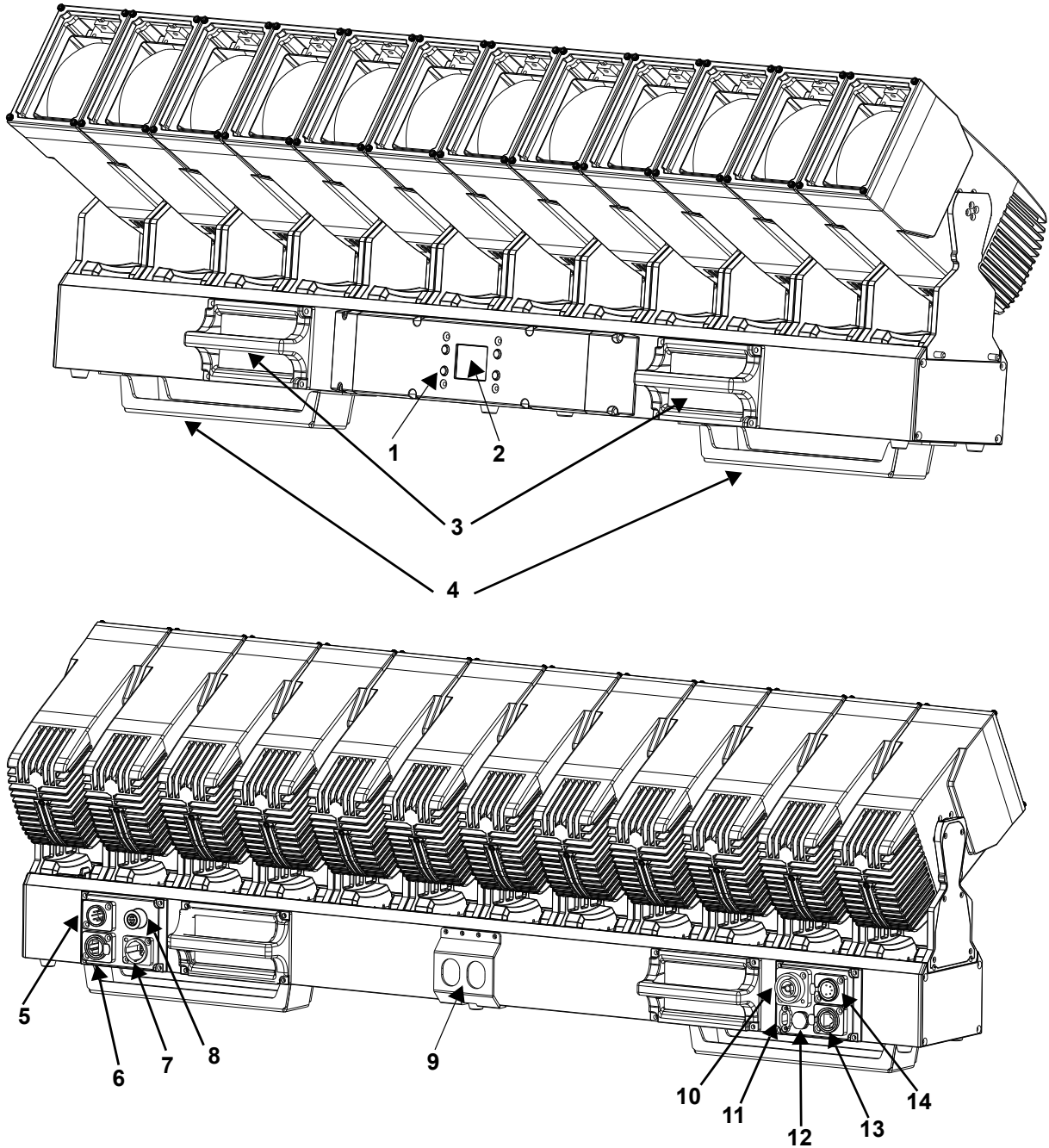
Description

COLORado PXL Curve 12 is a fully pixel-mappable motorized IP65-rated RGBW LED batten with individual control of zoom, tilt and color across twelve independent heads. Basic and advanced operating modes and an extensive library of pre-built effects that includes virtual gobos, movement macros, and foreground/background color control make creating complex and volumetric looks easy. Seamless edge-to-edge mounting maintains pixel pitch between fixtures helping to make runway effects consistent. COLORado PXL Curve 12 speaks DMX, sACN, Art-Net, Kling-Net and RDM.

Features

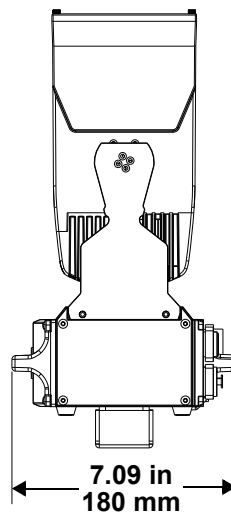
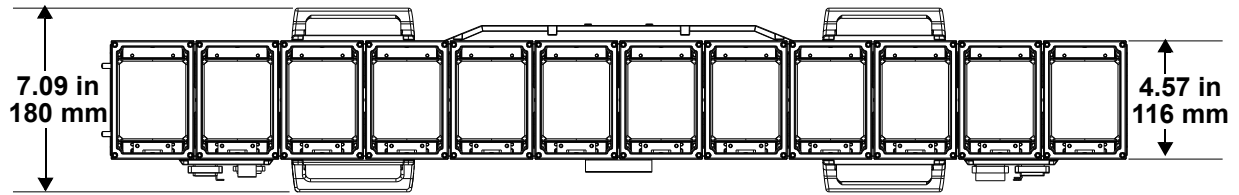
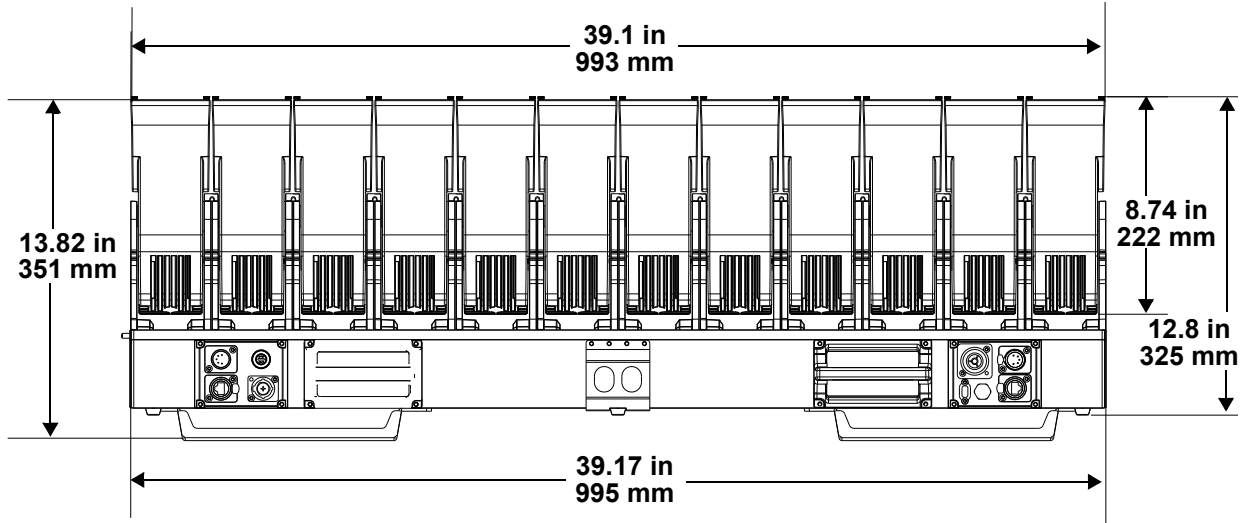
- IP65 batten with (12) 45W RGBW LEDs, (12) individually controllable tilting heads with a 5.7° to 36.3° zoom range
- Maintains pixel pitch between fixtures.
- Quiet and quick operation of 200° of tilt of each of (12) heads
- Quiet and quick operation of (12) individual zoom zones
- Fully pixel mappable
- Several built-in effects including virtual gobos and movement macros with foreground and background color control for easy pixel animation effects
- DMX, SACN, Art-Net, and Kling-Net control for full flexibility
- RDM-enabled for remote addressing and troubleshooting
- 5.7° to 36.3° zoom range for variable beam sizes
- TRUE1-compatible power input/output ports
- IP65-rated 5-pin DMX and TCP/IP input/output ports
- IP65-rated USB-C software upload port
- Slotted Omega brackets for easy hanging on truss

Product Overview



#	Name	#	Name
1	Menu buttons	8	Fuse holder
2	Display	9	Safety loop
3	Handles	10	Power out
4	Omega brackets	11	USB-C port
5	DMX in	12	Condensation valve
6	Network in	13	Network out
7	Power in	14	DMX out

Product Dimensions



Setup

3. Setup

AC Power

Each COLORado PXL Curve 12 has an auto-ranging power supply that works with an input voltage range of 100 to 240 VAC, 50/60 Hz. To determine the power requirements for each COLORado PXL Curve 12, refer to the label affixed to the product or to the [Technical Specifications](#) chart in this manual.

The listed current rating indicates the maximum current draw during normal operation. For more information, download Sizing Circuit Breakers from the Chauvet website: www.chauvetprofessional.com.



- **Always connect the product to a protected circuit (a circuit breaker or fuse). Make sure the product has an appropriate electrical ground to avoid the risk of electrocution or fire.**
- **To eliminate unnecessary wear and improve its lifespan, during periods of non-use completely disconnect the product from power via breaker or by unplugging it.**



Never connect the product to a rheostat (variable resistor) or dimmer circuit, even if the rheostat or dimmer channel serves only as a 0 to 100% switch.

AC Plug

The COLORado PXL Curve 12 comes with a power input cord terminated with a Seetronic Powerkon IP65 connector on one end and an Edison plug on the other end (U.S. market). If the cable has no plug or it is necessary to change the plug, use the table below to wire a plug.

Connection	Wire (U.S.)	Wire (Europe)	Screw Color
AC Live	Black	Brown	Yellow or Brass
AC Neutral	White	Blue	Silver
AC Ground	Green/Yellow	Green/Yellow	Green

Power Linking

It is possible to power link COLORado PXL Curve 12 products. See the table below for the current draw at each voltage and frequency:

	100 V, 60 Hz	120 V, 60 Hz	208 V, 60 Hz	230 V, 50 Hz	240 V, 60 Hz
Current Draw	8.13 A	6.70 A	3.80 A	3.44 A	3.30 A

Never exceed 12A on a single circuit. Power-linking cables can be purchased separately.

Signal Connections

The COLORado PXL Curve 12 can receive a DMX, Art-Net™, sACN, or Kling-Net signal. The COLORado PXL Curve 12 has 2 Neutrik RJ45 through ports, and 5-pin XLR DMX in and out ports. If using other compatible products with this product, each can be controlled individually with a single controller.

Control Personalities

The COLORado PXL Curve 12 uses DMX, Art-Net™, sACN, and Kling-Net for its control personalities:

Single Control Mode	Dual Control Mode Movement	Dual Control Mode Pixels
Basic (20 channels)	Basic (8 channels)	Basic (36 channels)
Basic2 (53 channels)	Basic2 (41 channels)	Standard (48 channels)
Standard (101 channels)	Standard (53 channels)	Advanced (96 channels)
Advanced (155 channels)	Advanced (59 channels)	Uses DMX, Art-Net™, sACN, or Kling-Net
Advanced2 (169 channels)	Uses DMX, Art-Net™, or sACN	
Tour (179 channels)		
Uses DMX, Art-Net™, or sACN		



In Dual Control mode, the Movement protocol and the Pixels protocol cannot be the same.

- Refer to the [Operation](#) section to learn how to configure the COLORado PXL Curve 12 to work in these personalities.
- The [DMX Values](#) section provides detailed information regarding the control personalities.

DMX Linking

The COLORado PXL Curve 12 can be linked to a DMX controller using a 5-pin DMX connection or a WDMX connection. For more information about DMX, read the DMX primer at: https://www.chauvetprofessional.com/wp-content/uploads/2016/06/DMX_Primer.pdf.

Art-Net™ Connection

Art-Net™ is an Ethernet protocol that uses TCP/IP that transfers a large amount of DMX512 data using a Neutrik RJ45 connection over a large network. An Art-Net™ protocol document is available from www.chauvetprofessional.com.

Art-Net™ designed by and copyright Artistic Licence Holdings Ltd.

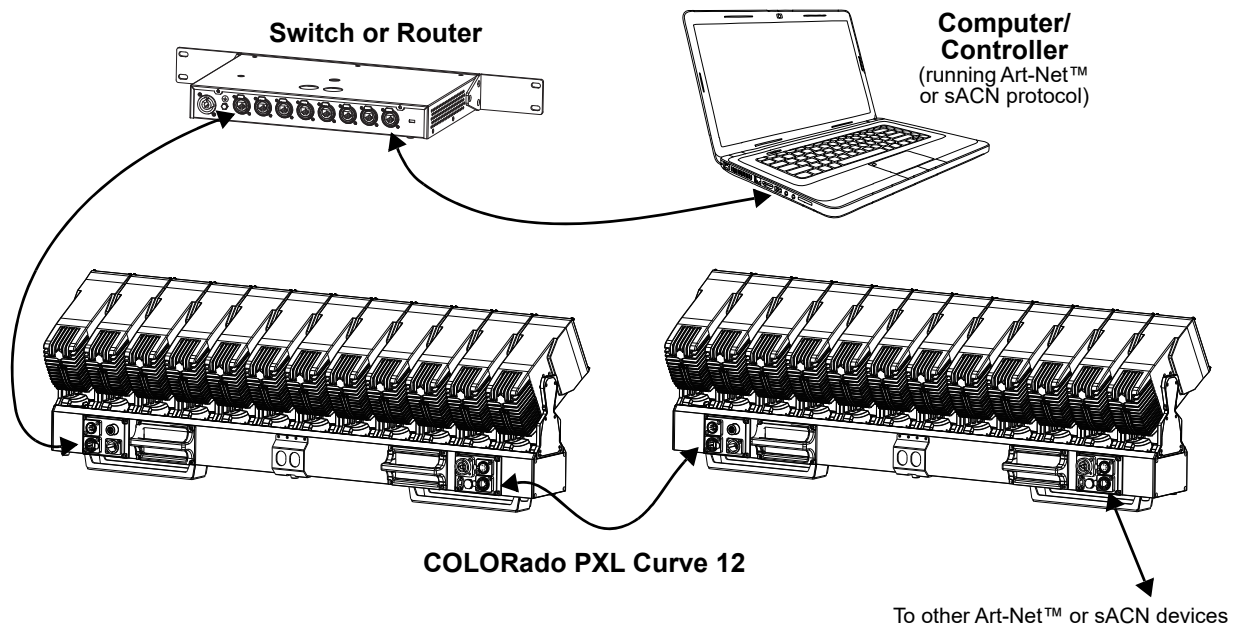
sACN Connection

Streaming ACN, also known as ANSI E1.31, is an Ethernet protocol that uses the layering and formatting of Architecture for Control Networks to transport DMX512 data over IP or any other ACN-compatible network.

Remote Device Management

Remote Device Management (RDM) is a standard for allowing DMX-enabled devices to communicate bi-directionally along existing DMX cabling. Check the DMX controller's User Manual or with the manufacturer as not all DMX controllers have this capability. The COLORado PXL Curve 12 supports RDM protocol that allows feedback to make changes to menu map options.

Connection Diagram



USB Software Update

The COLORado PXL Curve 12 allows for software update through USB using the built-in USB port. To enable or disable this function, follow the instructions below:

1. Go to the **Setup** main level.
2. Select **USB Update**.
3. Select **NO** (disables updating by USB) or **YES** (enables updating by USB).

To update the software using USB flash drive, do the following:

1. Power on the product, and plug the flash drive into the USB port.
2. Once the flash drive has been detected, the message “**USB UPDATE**” will be displayed. Select **YES**.
3. The next screen will show the software versions available for this fixture on the USB drive. For multiple versions of the software for the same fixture, use <UP> or <DOWN> to select the desired version. Press <ENTER>.
4. The “**USB UPDATE**” screen will re-appear. Select **YES**.



It is possible to update multiple units with the USB if they are daisy chained via DMX.

5. The upgrade will start. **DO NOT** turn off the power or disconnect the USB while the USB LED is still blinking during the process. The screen display will read: “**USB Update Wait**”. The update can take several minutes to complete.
 - When the USB firmware is done uploading, in some fixtures, the display will change to: “**DO NOT UNPLUG, UPDATING**”.
6. When the update is completed, the fixture will automatically reboot.
7. Go to Fixture Information on the product’s menu map and confirm the firmware revision.
 - When the boot-up process is finished, restart the product.



- **Place the .chl file in the root directory of the USB drive.**
- **The product’s USB port supports up to 32GB capacity and only works with FAT32 file format.**



Turning off the power or removing the USB while the USB LED is still blinking during the update will cause partial or total firmware failure in the targeted fixture(s). If this occurs, the user will need the UPLOAD 08 device to fix this. Please contact Chauvet regarding this device.

Mounting

Before mounting the product, read and follow the safety recommendations indicated in the [Safety Notes](#). For the Chauvet Professional line of mounting clamps, go to <http://trusst.com/products/>.

Orientation

Always mount this product in a safe position, making sure there is adequate room for ventilation, configuration, and maintenance.

Rigging

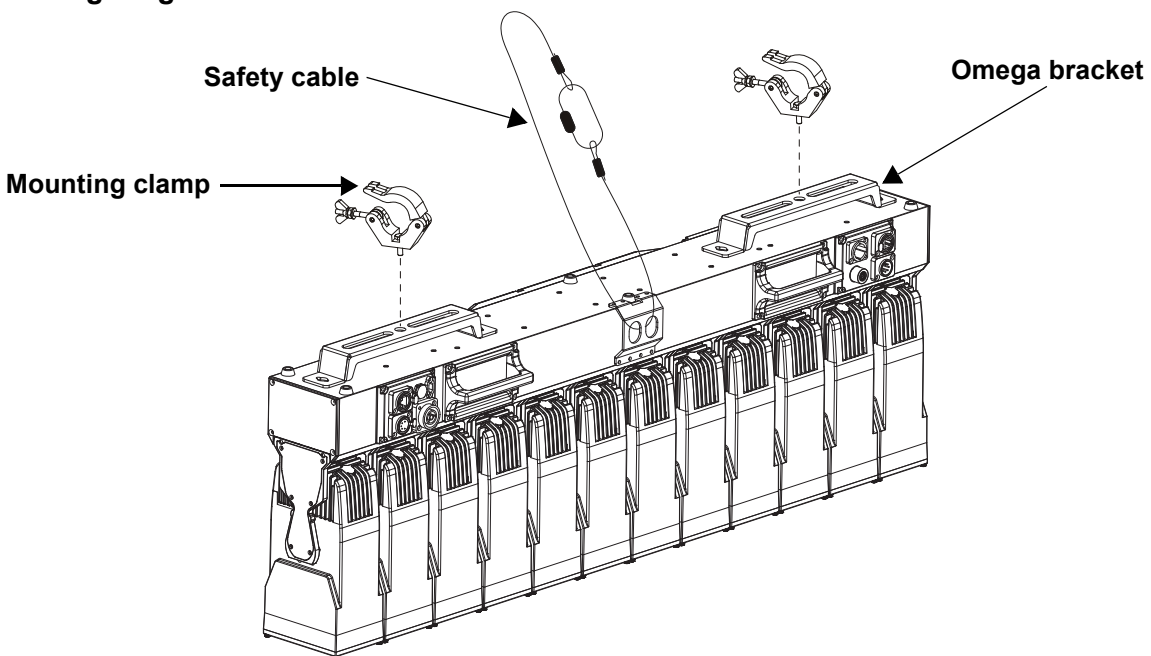
Chauvet recommends using the following general guidelines when mounting this product:

- Before deciding on a location for the product, make sure there is easy access to the product for maintenance and programming purposes.
- Make sure that the structure and attachment points can support the weight before hanging the product (see the [Technical Specifications](#) for weight information).
- Always use a safety cable when mounting the product overhead. Mount the product securely to a rigging point, whether an elevated platform or a truss.
- Use a mounting clamp of appropriate weight capacity when rigging the product onto a truss.
- When power linking multiple products, mount the products close enough for power linking cables to reach.

Procedure

The COLORado PXL Curve 12 comes with a bracket to which the user can directly attach mounting clamps (sold separately). Mounting clamps are sold separately. Make sure the clamps are capable of supporting the weight of this product. Use at least two mounting point per product. For the Chauvet Professional line of mounting clamps, go to <http://www.trusst.com/products>.

Mounting Diagram



4. Operation

Control Panel Operation

Button	Function
<MENU>	Exits from the current menu or function
<ENTER>	Enables the currently displayed menu or sets the currently selected value in to the current function
<UP>	Navigates upward through the menu list or increases the numeric value when in a function
<DOWN>	Navigates downward through the menu list or decreases the numeric value when in a function

Protocol Configuration

The COLORado PXL Curve 12 can be set to respond to DMX, Art-Net™, sACN, Kling-Net, or a combination of these protocols. The protocol configuration must be set for the product to respond correctly to the controller(s).

Control Mode

The COLORado PXL Curve 12 can work with a single controller or with 2 controllers running 2 different control protocols. In Dual Control mode, one protocol controls the Movement, and the other protocol controls the Pixels.

- **Single Control** mode works with wired DMX, Art-Net™, and sACN control signals.
- **Dual Control Movement** works with wired DMX, Art-Net™, and sACN control signals.
- **Dual Control Pixels** works with wired DMX, Art-Net™, sACN, and Kling-Net control signals.

To set the control mode and the protocol(s):

1. Go to the **Address** main level.
2. Select the desired control mode between **Single Control** and **Dual Control**.
3. For **Dual Control**, select which mode to configure between **Movement** and **Pixels**.
4. Select the desired protocol, from **DMX**, **ArtNet**, **sACN**, or **KlingNet** (Dual Control Pixels only).



In Dual Control mode, the Movement protocol and the Pixels protocol cannot be the same.



See the [Network Settings](#) section for further setup of ethernet protocols (Art-Net™ or sACN).

Control Personalities

To set the control personality:

1. Select the control mode and protocol as described under [Control Mode](#).
2. Select the **Personality** option.
3. Select the desired personality from:

Single Control	Dual Control Movement	Dual Control Pixels
Basic (20 channels)	Basic (8 channels)	Basic (36 channels)
Standard (101 channels)	Standard (53 channels)	Standard (48 channels)
Advanced (155 channels)	Advanced (59 channels)	Advanced (96 channels)
Advanced2 (169 channels)	Basic2 (41 channels)	*Kling-Net will only function with Basic or Standard mode
Tour (179 channels)		
Basic2 (53 channels)		



- See the [Starting Address](#) section for the highest recommended address for each personality.
- Make sure that the starting addresses on the various products do not overlap due to the new personality setting.

Starting Address

Each product and control mode will respond to a unique starting address from the controller. All products with the same starting address will respond in unison. To set the starting address:

1. Select the control mode and protocol as described under [Control Mode](#).
2. Select the **Start Address** option.
3. Select the starting address (**001–512**).

Control Mode	Personality	Channels	Highest Address
Single Control	Basic	20	493
	Standard	101	412
	Advanced	155	358
	Advanced2	169	344
	Tour	179	334
	Basic2	53	460
Dual Control Movement	Basic	8	505
	Standard	53	460
	Advanced	59	454
	Basic2	41	472
Dual Control Pixels	Basic	36	477
	Standard	48	465
	Advanced	96	417

Universe

The Art-Net™ and sACN control protocols require a universe address in addition to the starting address. To assign a universe to the control mode when using Art-Net™ or sACN:

1. Select the control mode and protocol as described under [Control Mode](#).
2. Select the **Universe** option.
3. Select the universe (**000–255** for **ArtNet**, or **001–256** for **sACN**).

Menu Map

Refer to the COLORado PXL Curve 12 product page on www.chauvetprofessional.com for the latest menu map.

Programming Levels				Description			
Address	Single Control	DMX	Personal	Basic	Sets the DMX personality (see Control Personalities)		
				Standard			
				Advanced			
				Advanced2			
				Tour			
			Basic2				
		Start Addr	001–512	Sets the DMX starting address			
		ArtNet	Personal	Basic	Sets the Art-Net™ personality (see Control Personalities)		
				Standard			
				Advanced			
				Tour			
				Basic2			
	Start Addr		001–512	Sets the Art-Net™ starting address			
	Universe	000–255	Sets the Art-Net™ universe				
	sACN	Personal	Basic	Sets the sACN personality (see Control Personalities)			
			Standard				
			Advanced				
			Tour				
			Basic2				
		Start Addr	001–512	Sets the sACN starting address			
	Universe	001–256	Sets the sACN universe				
	Dual Control	Movement	DMX	Personal	Basic	Sets the DMX personality (see Control Personalities)	
					Standard		
					Advanced		
Basic2							
Start Addr					001–512		Sets the DMX starting address
ArtNet				Personal	Basic	Sets the Art-Net™ personality (see Control Personalities)	
			Standard				
			Advanced				
			Basic2				
			Start Addr		001–512		Sets the Art-Net™ starting address
			Universe	000–255	Sets the Art-Net™ universe		
sACN			Personal	Basic	Sets the sACN personality (see Control Personalities)		
		Standard					
		Advanced					
		Basic2					
		Start Addr		001–512		Sets the sACN starting address	
		Universe	001–256	Sets the sACN universe			
Pixels		DMX	Personal	Basic	Sets the DMX personality (see Control Personalities)		
				Standard			
				Advanced			
				Start Addr		001–512	Sets the DMX starting address
				ArtNet		Personal	Basic
			Standard				
		Advanced					
	Start Addr	001–512	Sets the Art-Net™ starting address				
	Universe	000–255	Sets the Art-Net™ universe				
	sACN	Personal	Basic		Sets the sACN personality (see Control Personalities)		
			Standard				
			Advanced				
Start Addr			001–512	Sets the sACN starting address			
Universe			000–255	Sets the sACN universe			
KlingNet		Personal	Basic	Sets the Kling-Net personality (see Control Personalities)			
	Standard						

Main Level	Programming Levels		Description	
Run Mode	Auto Test		Auto test all functions	
	Manual Test	Tilt	000–255	Manually control and test all settings through the control panel
		P/T Speed		
		Red		
		Green		
		Blue		
		White		
		CTC		
		Color		
		Pattern		
		LED Macro		
		LED Ma. Speed		
		LED Ma. Fade		
		Background		
		Background Dim.		
Dimmer				
Shutter				
Function				
Zoom				
Setup	IP Mode		Manual Manually sets IP address	
			DHCP Network sets IP address	
			Static Product sets IP address	
	Network Settings	IP ---. ---. ---. ---	IP Byte1–4	000–255 Sets IP address in manual mode
		SMK ---. ---. ---. ---	SubMask1–4	000–255 Sets Subnet Mask in manual mode
	Tilt Reverse	NO		Normal tilt
		YES		Reversed tilt
	Zoom Reverse	NO		Normal zoom
		YES		Reversed zoom
	Screen Reverse	NO		Normal display
		YES		Inverted display
		AUTO		Automatic display orientation
	Tilt Angle	200		200° tilt range
		180		180° tilt range
		60		60° tilt range
	BL. O. T Move	NO		Do not blackout while tilt
		YES		Blackout while tilt
	Backlight Timer	30S		Display turns off after 30 seconds
		1M		Display turns off after 1 minute
		5M		Display turns off after 5 minutes
ON		Display stays on		
Loss of Data	Hold		Holds last signal received	
	Close		Blacks out fixture	
Red Shift	NO		Enables/disables red shift	
	YES			
C Mixing Mode	RGBW		RGBW mode (additive)	
	CMY		CMY mode (subtractive)	

Main Level	Programming Levels		Description	
Setup	Dimmer Curve	Linear	Set the dimmer curve	
		Square		
		I Squa		
		SCurve		
	Dimmer Speed	Smooth	Set the dimmer speed	
		Fast		
	PWM Option	600Hz	Sets the Pulse Width Modulation frequency	
		1200Hz		
		2000Hz		
		4000Hz		
		6000Hz		
	Cell Order	1–12	Light activates from left to right	
		12–1	Light activates from right to left	
	Calibrated White	ON	Default light output temperature set to 7500K	
		OFF	Deactivates calibrated white setting	
		Custom	Adjust light output temperature using White Balance setting	
	White Balance	Red	000–255	Sets red LED maximum value
		Green		Sets green LED maximum value
Blue		Sets blue LED maximum value		
White		Sets white LED maximum value		
Preset Select	Preset A	Recorded preset menu options		
	Preset B			
	Preset C			
Preset Sync	NO	Allows recorded preset menu options to be transferred to other COLORado PXL Curve 12 in the DMX daisy chain		
	YES			
USB Update	NO	Enables/disables updating by USB		
	YES			
Pixel calibration	R1–12	000–255	Calibrates red LED	
	G1–12		Calibrates green LED	
	B1–12		Calibrates blue LED	
Reset Function	Tilt	NO	Reset individual functions or all functions from startup	
		YES		
	Zoom	NO		
		YES		
	All	NO		
		YES		
Factory Settings	NO	Reset to factory default settings		
	YES			
Sys Info	Firmware Version		V_ _ _ _ _	Shows firmware version
	Running Mode		_ _ _ _ _	Shows current running mode
	Address		_ _ _ _	Shows current starting address
	Temperature	Temperature 1–12	_ _ _	Shows current product temperature in °C
	Fixture Time		_ _ _ _ _	Shows number of hours product has been powered on
	LED Hours		_ _ _ _ _	Shows total hours the LED has been powered on
	ArtNet Info	IP	_ . _ . _ . _ . _ . _ . _ . _ .	Shows current IP address
		SubMask	_ _ _ . _ _ _ . _ _ _ . _ _ _ .	Shows current Subnet Mask
		MAC	_ _ : _ _ : _ _ : _ _ : _ _ : _ _	Shows current MAC address
	Device UID		_ _ _ _ _	Shows product UID
	Fan Information	Base Fan1–2	_ _ _ _	Shows speed of base fans 1–2 in rpm

DMX Values

Single Control Mode

Basic (20CH)

Channel	Function	Value	Percent/Setting
1	Tilt 1–12	000 ⇄ 255	0–100%
2	Fine tilt 1–12	000 ⇄ 255	0–100%
3	Tilt speed	000 ⇄ 255	0–100%
4	Tilt macro	000 ⇄ 004 005 ⇄ 255	No function see Tilt Macro
5	CTC	000 001 ⇄ 255	No function From 19000K to 2700K
6	Color macro	000 001 ⇄ 255	No function see Color Chart
7	Pattern	000 001 ⇄ 255	No function see Patterns
8	LED built-in	000 ⇄ 015 016 ⇄ 255	No function see LED Macro
9	LED built-in speed	000 ⇄ 127 128 129 ⇄ 255	Fast to slow Stop Slow to fast
10	LED built-in delay	000 ⇄ 255	Fast to slow
11	Background color	000 001 ⇄ 255	No function see Color Chart
12	Background color dimmer	000 ⇄ 255	0–100%
13	Dimmer	000 ⇄ 255	0–100%
14	Strobe	000 ⇄ 019 020 ⇄ 255	Off see Strobe Settings
15	Zoom 1–12	000 ⇄ 255	0–100%
16	Control	000 ⇄ 009 010 ⇄ 255	No function see Control Settings
17	Red	Cyan	000 ⇄ 255
18	Green		
19	Blue	Yellow	000 ⇄ 255
20	White	000 ⇄ 255	0–100%

Operation

Advanced2 (169CH)

Channel	Function	Value	Percent/Setting
1	Control	000 ⇄ 009 010 ⇄ 255	No function see Control Settings
2	Tilt speed	000 ⇄ 255	Fast to slow
3	Tilt macro	000 ⇄ 004 005 ⇄ 255	No function see Tilt Macro
4	CTC	000 001 ⇄ 255	No function From 19000K to 2700K
5	Color macro	000 001 ⇄ 255	No function see Color Chart
6	Pattern (see Patterns)	000 001 ⇄ 002	No function Pattern 1–255
7	LED built-in	000 ⇄ 015 016 ⇄ 255	No function see LED Macro
8	LED built-in speed	000 ⇄ 127 128 129 ⇄ 255	Fast to slow Stop Slow to fast
9	LED built-in delay	000 ⇄ 255	Fast to slow
10	Background color	000 001 ⇄ 255	No function see Color Chart
11	Background color dimmer	000 ⇄ 255	0–100%
12	Background color fine dimmer	000 ⇄ 255	0–100%
13	Strobe	000 ⇄ 019 020 ⇄ 255	Off see Strobe Settings
14	Tilt 1	000 ⇄ 255	0–100%
15	Fine tilt 1	000 ⇄ 255	0–100%
16	Zoom 1	000 ⇄ 255	0–100%
17	Dimmer 1	000 ⇄ 255	0–100%
18	Fine dimmer 1	000 ⇄ 255	0–100%
19	Red 1 Cyan 1	000 ⇄ 255	RGBW Mode: 0–100% / CMY Mode: 100–0%
20	Fine red 1 Fine cyan 1	000 ⇄ 255	RGBW Mode: 0–100% / CMY Mode: 100–0%
21	Green 1 Magenta 1	000 ⇄ 255	RGBW Mode: 0–100% / CMY Mode: 100–0%
22	Fine green 1 Fine magenta 1	000 ⇄ 255	RGBW Mode: 0–100% / CMY Mode: 100–0%
23	Blue 1 Yellow 1	000 ⇄ 255	RGBW Mode: 0–100% / CMY Mode: 100–0%
24	Fine blue 1 Fine yellow 1	000 ⇄ 255	RGBW Mode: 0–100% / CMY Mode: 100–0%
25	White 1	000 ⇄ 255	RGBW Mode: 0–100% / CMY Mode: 100–0%
26	Fine white 1	000 ⇄ 255	RGBW Mode: 0–100% / CMY Mode: 100–0%
27	Tilt 2	000 ⇄ 255	0–100%
28	Fine tilt 2	000 ⇄ 255	0–100%
29	Zoom 2	000 ⇄ 255	0–100%
30	Dimmer 2	000 ⇄ 255	0–100%
31	Fine dimmer 2	000 ⇄ 255	0–100%
32	Red 2 Cyan 2	000 ⇄ 255	RGBW Mode: 0–100% / CMY Mode: 100–0%
33	Fine red 2 Fine cyan 2	000 ⇄ 255	RGBW Mode: 0–100% / CMY Mode: 100–0%
34	Green 2 Magenta 2	000 ⇄ 255	RGBW Mode: 0–100% / CMY Mode: 100–0%
35	Fine green 2 Fine magenta 2	000 ⇄ 255	RGBW Mode: 0–100% / CMY Mode: 100–0%
36	Blue 2 Yellow 2	000 ⇄ 255	RGBW Mode: 0–100% / CMY Mode: 100–0%
37	Fine blue 2 Fine yellow 2	000 ⇄ 255	RGBW Mode: 0–100% / CMY Mode: 100–0%
38	White 2	000 ⇄ 255	RGBW Mode: 0–100% / CMY Mode: 100–0%
39	Fine white 2	000 ⇄ 255	RGBW Mode: 0–100% / CMY Mode: 100–0%
40	Tilt 3	000 ⇄ 255	0–100%

Channel	Function	Value	Percent/Setting
41	Fine tilt 3	000 ⇄ 255	0–100%
42	Zoom 3	000 ⇄ 255	0–100%
43	Dimmer 3	000 ⇄ 255	0–100%
44	Fine dimmer 3	000 ⇄ 255	0–100%
45	Red 3 Cyan 3	000 ⇄ 255	RGBW Mode: 0–100% / CMY Mode: 100–0%
46	Fine red 3 Fine cyan 3	000 ⇄ 255	RGBW Mode: 0–100% / CMY Mode: 100–0%
47	Green 3 Magenta 3	000 ⇄ 255	RGBW Mode: 0–100% / CMY Mode: 100–0%
48	Fine green 3 Fine magenta 3	000 ⇄ 255	RGBW Mode: 0–100% / CMY Mode: 100–0%
49	Blue 3 Yellow 3	000 ⇄ 255	RGBW Mode: 0–100% / CMY Mode: 100–0%
50	Fine blue 3 Fine yellow 3	000 ⇄ 255	RGBW Mode: 0–100% / CMY Mode: 100–0%
51	White 3	000 ⇄ 255	RGBW Mode: 0–100% / CMY Mode: 100–0%
52	Fine white 3	000 ⇄ 255	RGBW Mode: 0–100% / CMY Mode: 100–0%
53	Tilt 4	000 ⇄ 255	0–100%
54	Fine tilt 4	000 ⇄ 255	0–100%
55	Zoom 4	000 ⇄ 255	0–100%
56	Dimmer 4	000 ⇄ 255	0–100%
57	Fine dimmer 4	000 ⇄ 255	0–100%
58	Red 4 Cyan 4	000 ⇄ 255	RGBW Mode: 0–100% / CMY Mode: 100–0%
59	Fine red 4 Fine cyan 4	000 ⇄ 255	RGBW Mode: 0–100% / CMY Mode: 100–0%
60	Green 4 Magenta 4	000 ⇄ 255	RGBW Mode: 0–100% / CMY Mode: 100–0%
61	Fine green 4 Fine magenta 4	000 ⇄ 255	RGBW Mode: 0–100% / CMY Mode: 100–0%
62	Blue 4 Yellow 4	000 ⇄ 255	RGBW Mode: 0–100% / CMY Mode: 100–0%
63	Fine blue 4 Fine yellow 4	000 ⇄ 255	RGBW Mode: 0–100% / CMY Mode: 100–0%
64	White 4	000 ⇄ 255	RGBW Mode: 0–100% / CMY Mode: 100–0%
65	Fine white 4	000 ⇄ 255	RGBW Mode: 0–100% / CMY Mode: 100–0%
66	Tilt 5	000 ⇄ 255	0–100%
67	Fine tilt 5	000 ⇄ 255	0–100%
68	Zoom 5	000 ⇄ 255	0–100%
69	Dimmer 5	000 ⇄ 255	0–100%
70	Fine dimmer 5	000 ⇄ 255	0–100%
71	Red 5 Cyan 5	000 ⇄ 255	RGBW Mode: 0–100% / CMY Mode: 100–0%
72	Fine red 5 Fine cyan 5	000 ⇄ 255	RGBW Mode: 0–100% / CMY Mode: 100–0%
73	Green 5 Magenta 5	000 ⇄ 255	RGBW Mode: 0–100% / CMY Mode: 100–0%
74	Fine green 5 Fine magenta 5	000 ⇄ 255	RGBW Mode: 0–100% / CMY Mode: 100–0%
75	Blue 5 Yellow 5	000 ⇄ 255	RGBW Mode: 0–100% / CMY Mode: 100–0%
76	Fine blue 5 Fine yellow 5	000 ⇄ 255	RGBW Mode: 0–100% / CMY Mode: 100–0%
77	White 5	000 ⇄ 255	RGBW Mode: 0–100% / CMY Mode: 100–0%
78	Fine white 5	000 ⇄ 255	RGBW Mode: 0–100% / CMY Mode: 100–0%
79	Tilt 6	000 ⇄ 255	0–100%
80	Fine tilt 6	000 ⇄ 255	0–100%
81	Zoom 6	000 ⇄ 255	0–100%
82	Dimmer 6	000 ⇄ 255	0–100%
83	Fine dimmer 6	000 ⇄ 255	0–100%
84	Red 6 Cyan 6	000 ⇄ 255	RGBW Mode: 0–100% / CMY Mode: 100–0%
85	Fine red 6 Fine cyan 6	000 ⇄ 255	RGBW Mode: 0–100% / CMY Mode: 100–0%
86	Green 6 Magenta 6	000 ⇄ 255	RGBW Mode: 0–100% / CMY Mode: 100–0%
87	Fine green 6 Fine magenta 6	000 ⇄ 255	RGBW Mode: 0–100% / CMY Mode: 100–0%
88	Blue 6 Yellow 6	000 ⇄ 255	RGBW Mode: 0–100% / CMY Mode: 100–0%
89	Fine blue 6 Fine yellow 6	000 ⇄ 255	RGBW Mode: 0–100% / CMY Mode: 100–0%
90	White 6	000 ⇄ 255	RGBW Mode: 0–100% / CMY Mode: 100–0%
91	Fine white 6	000 ⇄ 255	RGBW Mode: 0–100% / CMY Mode: 100–0%

Operation



Channel	Function	Value	Percent/Setting
92	Tilt 7	000 ⇄ 255	0–100%
93	Fine tilt 7	000 ⇄ 255	0–100%
94	Zoom 7	000 ⇄ 255	0–100%
95	Dimmer 7	000 ⇄ 255	0–100%
96	Fine dimmer 7	000 ⇄ 255	0–100%
97	Red 7 Cyan 7	000 ⇄ 255	RGBW Mode: 0–100% / CMY Mode: 100–0%
98	Fine red 7 Fine cyan 7	000 ⇄ 255	RGBW Mode: 0–100% / CMY Mode: 100–0%
99	Green 7 Magenta 7	000 ⇄ 255	RGBW Mode: 0–100% / CMY Mode: 100–0%
100	Fine green 7 Fine magenta 7	000 ⇄ 255	RGBW Mode: 0–100% / CMY Mode: 100–0%
101	Blue 7 Yellow 7	000 ⇄ 255	RGBW Mode: 0–100% / CMY Mode: 100–0%
102	Fine blue 7 Fine yellow 7	000 ⇄ 255	RGBW Mode: 0–100% / CMY Mode: 100–0%
103	White 7	000 ⇄ 255	RGBW Mode: 0–100% / CMY Mode: 100–0%
104	Fine white 7	000 ⇄ 255	RGBW Mode: 0–100% / CMY Mode: 100–0%
105	Tilt 8	000 ⇄ 255	0–100%
106	Fine tilt 8	000 ⇄ 255	0–100%
107	Zoom 8	000 ⇄ 255	0–100%
108	Dimmer 8	000 ⇄ 255	0–100%
109	Fine dimmer 8	000 ⇄ 255	0–100%
110	Red 8 Cyan 8	000 ⇄ 255	RGBW Mode: 0–100% / CMY Mode: 100–0%
111	Fine red 8 Fine cyan 8	000 ⇄ 255	RGBW Mode: 0–100% / CMY Mode: 100–0%
112	Green 8 Magenta 8	000 ⇄ 255	RGBW Mode: 0–100% / CMY Mode: 100–0%
113	Fine green 8 Fine magenta 8	000 ⇄ 255	RGBW Mode: 0–100% / CMY Mode: 100–0%
114	Blue 8 Yellow 8	000 ⇄ 255	RGBW Mode: 0–100% / CMY Mode: 100–0%
115	Fine blue 8 Fine yellow 8	000 ⇄ 255	RGBW Mode: 0–100% / CMY Mode: 100–0%
116	White 8	000 ⇄ 255	RGBW Mode: 0–100% / CMY Mode: 100–0%
117	Fine white 8	000 ⇄ 255	RGBW Mode: 0–100% / CMY Mode: 100–0%
118	Tilt 9	000 ⇄ 255	0–100%
119	Fine tilt 9	000 ⇄ 255	0–100%
120	Zoom 9	000 ⇄ 255	0–100%
121	Dimmer 9	000 ⇄ 255	0–100%
122	Fine dimmer 9	000 ⇄ 255	0–100%
123	Red 9 Cyan 9	000 ⇄ 255	RGBW Mode: 0–100% / CMY Mode: 100–0%
124	Fine red 9 Fine cyan 9	000 ⇄ 255	RGBW Mode: 0–100% / CMY Mode: 100–0%
125	Green 9 Magenta 9	000 ⇄ 255	RGBW Mode: 0–100% / CMY Mode: 100–0%
126	Fine green 9 Fine magenta 9	000 ⇄ 255	RGBW Mode: 0–100% / CMY Mode: 100–0%
127	Blue 9 Yellow 9	000 ⇄ 255	RGBW Mode: 0–100% / CMY Mode: 100–0%
128	Fine blue 9 Fine yellow 9	000 ⇄ 255	RGBW Mode: 0–100% / CMY Mode: 100–0%
129	White 9	000 ⇄ 255	RGBW Mode: 0–100% / CMY Mode: 100–0%
130	Fine white 9	000 ⇄ 255	RGBW Mode: 0–100% / CMY Mode: 100–0%
131	Tilt 10	000 ⇄ 255	0–100%
132	Fine tilt 10	000 ⇄ 255	0–100%
133	Zoom 10	000 ⇄ 255	0–100%
134	Dimmer 10	000 ⇄ 255	0–100%
135	Fine dimmer 10	000 ⇄ 255	0–100%
136	Red 10 Cyan 10	000 ⇄ 255	RGBW Mode: 0–100% / CMY Mode: 100–0%
137	Fine red 10 Fine cyan 10	000 ⇄ 255	RGBW Mode: 0–100% / CMY Mode: 100–0%
138	Green 10 Magenta 10	000 ⇄ 255	RGBW Mode: 0–100% / CMY Mode: 100–0%
139	Fine green 10 Fine magenta 10	000 ⇄ 255	RGBW Mode: 0–100% / CMY Mode: 100–0%
140	Blue 10 Yellow 10	000 ⇄ 255	RGBW Mode: 0–100% / CMY Mode: 100–0%
141	Fine blue 10 Fine yellow 10	000 ⇄ 255	RGBW Mode: 0–100% / CMY Mode: 100–0%
142	White 10	000 ⇄ 255	RGBW Mode: 0–100% / CMY Mode: 100–0%

Channel	Function	Value	Percent/Setting
143	Fine white 10	000 ⇄ 255	RGBW Mode: 0–100% / CMY Mode: 100–0%
144	Tilt 11	000 ⇄ 255	0–100%
145	Fine tilt 11	000 ⇄ 255	0–100%
146	Zoom 11	000 ⇄ 255	0–100%
147	Dimmer 11	000 ⇄ 255	0–100%
148	Fine dimmer 11	000 ⇄ 255	0–100%
149	Red 11 Cyan 11	000 ⇄ 255	RGBW Mode: 0–100% / CMY Mode: 100–0%
150	Fine red 11 Fine cyan 11	000 ⇄ 255	RGBW Mode: 0–100% / CMY Mode: 100–0%
151	Green 11 Magenta 11	000 ⇄ 255	RGBW Mode: 0–100% / CMY Mode: 100–0%
152	Fine green 11 Fine magenta 11	000 ⇄ 255	RGBW Mode: 0–100% / CMY Mode: 100–0%
153	Blue 11 Yellow 11	000 ⇄ 255	RGBW Mode: 0–100% / CMY Mode: 100–0%
154	Fine blue 11 Fine yellow 11	000 ⇄ 255	RGBW Mode: 0–100% / CMY Mode: 100–0%
155	White 11	000 ⇄ 255	RGBW Mode: 0–100% / CMY Mode: 100–0%
156	Fine white 11	000 ⇄ 255	RGBW Mode: 0–100% / CMY Mode: 100–0%
157	Tilt 12	000 ⇄ 255	0–100%
158	Fine tilt 12	000 ⇄ 255	0–100%
159	Zoom 12	000 ⇄ 255	0–100%
160	Dimmer 12	000 ⇄ 255	0–100%
161	Fine dimmer 12	000 ⇄ 255	0–100%
162	Red 12 Cyan 12	000 ⇄ 255	RGBW Mode: 0–100% / CMY Mode: 100–0%
163	Fine red 12 Fine cyan 12	000 ⇄ 255	RGBW Mode: 0–100% / CMY Mode: 100–0%
164	Green 12 Magenta 12	000 ⇄ 255	RGBW Mode: 0–100% / CMY Mode: 100–0%
165	Fine green 12 Fine magenta 12	000 ⇄ 255	RGBW Mode: 0–100% / CMY Mode: 100–0%
166	Blue 12 Yellow 12	000 ⇄ 255	RGBW Mode: 0–100% / CMY Mode: 100–0%
167	Fine blue 12 Fine yellow 12	000 ⇄ 255	RGBW Mode: 0–100% / CMY Mode: 100–0%
168	White 12	000 ⇄ 255	RGBW Mode: 0–100% / CMY Mode: 100–0%
169	Fine white 12	000 ⇄ 255	RGBW Mode: 0–100% / CMY Mode: 100–0%

Operation

Basic2 (53CH) / Standard (101CH) / Advanced (155CH) / Tour (179CH)

53 CH	101 CH	155 CH	179 CH	Function	Value	Percent/Setting
1	1	1	1	Tilt 1	000 ⇔ 255	0–100%
2	2	2	2	Fine tilt 1	000 ⇔ 255	0–100%
3	3	3	3	Tilt 2	000 ⇔ 255	0–100%
4	4	4	4	Fine tilt 2	000 ⇔ 255	0–100%
5	5	5	5	Tilt 3	000 ⇔ 255	0–100%
6	6	6	6	Fine tilt 3	000 ⇔ 255	0–100%
7	7	7	7	Tilt 4	000 ⇔ 255	0–100%
8	8	8	8	Fine tilt 4	000 ⇔ 255	0–100%
9	9	9	9	Tilt 5	000 ⇔ 255	0–100%
10	10	10	10	Fine tilt 5	000 ⇔ 255	0–100%
11	11	11	11	Tilt 6	000 ⇔ 255	0–100%
12	12	12	12	Fine tilt 6	000 ⇔ 255	0–100%
13	13	13	13	Tilt 7	000 ⇔ 255	0–100%
14	14	14	14	Fine tilt 7	000 ⇔ 255	0–100%
15	15	15	15	Tilt 8	000 ⇔ 255	0–100%
16	16	16	16	Fine tilt 8	000 ⇔ 255	0–100%
17	17	17	17	Tilt 9	000 ⇔ 255	0–100%
18	18	18	18	Fine tilt 9	000 ⇔ 255	0–100%
19	19	19	19	Tilt 10	000 ⇔ 255	0–100%
20	20	20	20	Fine tilt 10	000 ⇔ 255	0–100%
21	21	21	21	Tilt 11	000 ⇔ 255	0–100%
22	22	22	22	Fine tilt 11	000 ⇔ 255	0–100%
23	23	23	23	Tilt 12	000 ⇔ 255	0–100%
24	24	24	24	Fine tilt 12	000 ⇔ 255	0–100%
25	25	25	25	Tilt speed	000 ⇔ 255	Fast to slow
26	26	26	26	Tilt macro	000 ⇔ 004 005 ⇔ 255	No function see Tilt Macro
27	27	27	27	CTC	000 001 ⇔ 255	No function From 19000K to 2700K
28	28	28	28	Color macro	000 001 ⇔ 255	No function see Color Chart
29	29	29	29	Pattern (see Patterns)	000 001 ⇔ 002	No function Pattern 1–255
30	30	30	30	LED built-in	000 ⇔ 015 016 ⇔ 255	No function see LED Macro
31	31	31	31	LED built-in speed	000 ⇔ 127 128 129 ⇔ 255	Fast to slow Stop Slow to fast
32	32	32	32	LED built-in delay	000 ⇔ 255	Fast to slow
33	33	33	33	Background color	000 001 ⇔ 255	No function see Color Chart
34	34	34	34	Background color dimmer	000 ⇔ 255	0–100%
–	–	35	35	Background color fine dimmer	000 ⇔ 255	0–100%
35	35	36	36	Dimmer	000 ⇔ 255	0–100%
–	–	37	37	Fine dimmer	000 ⇔ 255	0–100%
36	36	38	38	Strobe	000 ⇔ 019 020 ⇔ 255	Off see Strobe Settings
37	37	39	39	Zoom 1	000 ⇔ 255	0–100%
38	38	40	40	Zoom 2	000 ⇔ 255	0–100%

53 CH	101 CH	155 CH	179 CH	Function	Value	Percent/Setting
39	39	41	41	Zoom 3	000 ⇔ 255	0–100%
40	40	42	42	Zoom 4	000 ⇔ 255	0–100%
41	41	43	43	Zoom 5	000 ⇔ 255	0–100%
42	42	44	44	Zoom 6	000 ⇔ 255	0–100%
43	43	45	45	Zoom 7	000 ⇔ 255	0–100%
44	44	46	46	Zoom 8	000 ⇔ 255	0–100%
45	45	47	47	Zoom 9	000 ⇔ 255	0–100%
46	46	48	48	Zoom 10	000 ⇔ 255	0–100%
47	47	49	49	Zoom 11	000 ⇔ 255	0–100%
48	48	50	50	Zoom 12	000 ⇔ 255	0–100%
49	49	51	51	Control	000 ⇔ 009 010 ⇔ 255	No function see Control Settings
50	50	52	52	Red Cyan	000 ⇔ 255	RGBW Mode: 0–100% / CMY Mode: 100–0%
–	–	53	53	Fine red Fine cyan	000 ⇔ 255	RGBW Mode: 0–100% / CMY Mode: 100–0%
51	51	54	54	Green Magenta	000 ⇔ 255	RGBW Mode: 0–100% / CMY Mode: 100–0%
–	–	55	55	Fine green Fine magenta	000 ⇔ 255	RGBW Mode: 0–100% / CMY Mode: 100–0%
52	52	56	56	Blue Yellow	000 ⇔ 255	RGBW Mode: 0–100% / CMY Mode: 100–0%
–	–	57	57	Fine blue Fine yellow	000 ⇔ 255	RGBW Mode: 0–100% / CMY Mode: 100–0%
53	53	58	58	White	000 ⇔ 255	RGBW Mode: 0–100% / CMY Mode: 100–0%
–	–	59	59	Fine white	000 ⇔ 255	RGBW Mode: 0–100% / CMY Mode: 100–0%
–	–	–	60	Dimmer 1	000 ⇔ 255	0–100%
–	–	–	61	Fine dimmer 1	000 ⇔ 255	0–100%
–	54	60	62	Red 1 Cyan 1	000 ⇔ 255	RGBW Mode: 0–100% / CMY Mode: 100–0%
–	–	61	63	Fine red 1 Fine cyan 1	000 ⇔ 255	RGBW Mode: 0–100% / CMY Mode: 100–0%
–	55	62	64	Green 1 Magenta 1	000 ⇔ 255	RGBW Mode: 0–100% / CMY Mode: 100–0%
–	–	63	65	Fine green 1 Fine magenta 1	000 ⇔ 255	RGBW Mode: 0–100% / CMY Mode: 100–0%
–	56	64	66	Blue 1 Yellow 1	000 ⇔ 255	RGBW Mode: 0–100% / CMY Mode: 100–0%
–	–	65	67	Fine blue 1 Fine yellow 1	000 ⇔ 255	RGBW Mode: 0–100% / CMY Mode: 100–0%
–	57	66	68	White 1	000 ⇔ 255	RGBW Mode: 0–100% / CMY Mode: 100–0%
–	–	67	69	Fine white 1	000 ⇔ 255	RGBW Mode: 0–100% / CMY Mode: 100–0%
–	–	–	70	Dimmer 2	000 ⇔ 255	0–100%
–	–	–	71	Fine dimmer 2	000 ⇔ 255	0–100%
–	58	68	72	Red 2 Cyan 2	000 ⇔ 255	RGBW Mode: 0–100% / CMY Mode: 100–0%
–	–	69	73	Fine red 2 Fine cyan 2	000 ⇔ 255	RGBW Mode: 0–100% / CMY Mode: 100–0%
–	59	70	74	Green 2 Magenta 2	000 ⇔ 255	RGBW Mode: 0–100% / CMY Mode: 100–0%
–	–	71	75	Fine green 2 Fine magenta 2	000 ⇔ 255	RGBW Mode: 0–100% / CMY Mode: 100–0%
–	60	72	76	Blue 2 Yellow 2	000 ⇔ 255	RGBW Mode: 0–100% / CMY Mode: 100–0%
–	–	73	77	Fine blue 2 Fine yellow 2	000 ⇔ 255	RGBW Mode: 0–100% / CMY Mode: 100–0%
–	61	74	78	White 2	000 ⇔ 255	RGBW Mode: 0–100% / CMY Mode: 100–0%
–	–	75	79	Fine white 2	000 ⇔ 255	RGBW Mode: 0–100% / CMY Mode: 100–0%
–	–	–	80	Dimmer 3	000 ⇔ 255	0–100%
–	–	–	81	Fine dimmer 3	000 ⇔ 255	0–100%
–	62	76	82	Red 3 Cyan 3	000 ⇔ 255	RGBW Mode: 0–100% / CMY Mode: 100–0%
–	–	77	83	Fine red 3 Fine cyan 3	000 ⇔ 255	RGBW Mode: 0–100% / CMY Mode: 100–0%
–	63	78	84	Green 3 Magenta 3	000 ⇔ 255	RGBW Mode: 0–100% / CMY Mode: 100–0%
–	–	79	85	Fine green 3 Fine magenta 3	000 ⇔ 255	RGBW Mode: 0–100% / CMY Mode: 100–0%
–	64	80	86	Blue 3 Yellow 3	000 ⇔ 255	RGBW Mode: 0–100% / CMY Mode: 100–0%
–	–	81	87	Fine blue 3 Fine yellow 3	000 ⇔ 255	RGBW Mode: 0–100% / CMY Mode: 100–0%
–	65	82	88	White 3	000 ⇔ 255	RGBW Mode: 0–100% / CMY Mode: 100–0%
–	–	83	89	Fine white 3	000 ⇔ 255	RGBW Mode: 0–100% / CMY Mode: 100–0%

53 CH	101 CH	155 CH	179 CH	Function	Value	Percent/Setting
-	-	-	90	Dimmer 4	000 ⇔ 255	0-100%
-	-	-	91	Fine dimmer 4	000 ⇔ 255	0-100%
-	66	84	92	Red 4 Cyan 4	000 ⇔ 255	RGBW Mode: 0-100% / CMY Mode: 100-0%
-	-	85	93	Fine red 4 Fine cyan 4	000 ⇔ 255	RGBW Mode: 0-100% / CMY Mode: 100-0%
-	67	86	94	Green 4 Magenta 4	000 ⇔ 255	RGBW Mode: 0-100% / CMY Mode: 100-0%
-	-	87	95	Fine green 4 Fine magenta 4	000 ⇔ 255	RGBW Mode: 0-100% / CMY Mode: 100-0%
-	68	88	96	Blue 4 Yellow 4	000 ⇔ 255	RGBW Mode: 0-100% / CMY Mode: 100-0%
-	-	89	97	Fine blue 4 Fine yellow 4	000 ⇔ 255	RGBW Mode: 0-100% / CMY Mode: 100-0%
-	69	90	98	White 4	000 ⇔ 255	RGBW Mode: 0-100% / CMY Mode: 100-0%
-	-	91	99	Fine white 4	000 ⇔ 255	RGBW Mode: 0-100% / CMY Mode: 100-0%
-	-	-	100	Dimmer 5	000 ⇔ 255	0-100%
-	-	-	101	Fine dimmer 5	000 ⇔ 255	0-100%
-	70	92	102	Red 5 Cyan 5	000 ⇔ 255	RGBW Mode: 0-100% / CMY Mode: 100-0%
-	-	93	103	Fine red 5 Fine cyan 5	000 ⇔ 255	RGBW Mode: 0-100% / CMY Mode: 100-0%
-	71	94	104	Green 5 Magenta 5	000 ⇔ 255	RGBW Mode: 0-100% / CMY Mode: 100-0%
-	-	95	105	Fine green 5 Fine magenta 5	000 ⇔ 255	RGBW Mode: 0-100% / CMY Mode: 100-0%
-	72	96	106	Blue 5 Yellow 5	000 ⇔ 255	RGBW Mode: 0-100% / CMY Mode: 100-0%
-	-	97	107	Fine blue 5 Fine yellow 5	000 ⇔ 255	RGBW Mode: 0-100% / CMY Mode: 100-0%
-	73	98	108	White 5	000 ⇔ 255	RGBW Mode: 0-100% / CMY Mode: 100-0%
-	-	99	109	Fine white 5	000 ⇔ 255	RGBW Mode: 0-100% / CMY Mode: 100-0%
-	-	-	110	Dimmer 6	000 ⇔ 255	0-100%
-	-	-	111	Fine dimmer 6	000 ⇔ 255	0-100%
-	74	100	112	Red 6 Cyan 6	000 ⇔ 255	RGBW Mode: 0-100% / CMY Mode: 100-0%
-	-	101	113	Fine red 6 Fine cyan 6	000 ⇔ 255	RGBW Mode: 0-100% / CMY Mode: 100-0%
-	75	102	114	Green 6 Magenta 6	000 ⇔ 255	RGBW Mode: 0-100% / CMY Mode: 100-0%
-	-	103	115	Fine green 6 Fine magenta 6	000 ⇔ 255	RGBW Mode: 0-100% / CMY Mode: 100-0%
-	76	104	116	Blue 6 Yellow 6	000 ⇔ 255	RGBW Mode: 0-100% / CMY Mode: 100-0%
-	-	105	117	Fine blue 6 Fine yellow 6	000 ⇔ 255	RGBW Mode: 0-100% / CMY Mode: 100-0%
-	77	106	118	White 6	000 ⇔ 255	RGBW Mode: 0-100% / CMY Mode: 100-0%
-	-	107	119	Fine white 6	000 ⇔ 255	RGBW Mode: 0-100% / CMY Mode: 100-0%
-	-	-	120	Dimmer 7	000 ⇔ 255	0-100%
-	-	-	121	Fine dimmer 7	000 ⇔ 255	0-100%
-	78	108	122	Red 7 Cyan 7	000 ⇔ 255	RGBW Mode: 0-100% / CMY Mode: 100-0%
-	-	109	123	Fine red 7 Fine cyan 7	000 ⇔ 255	RGBW Mode: 0-100% / CMY Mode: 100-0%
-	79	110	124	Green 7 Magenta 7	000 ⇔ 255	RGBW Mode: 0-100% / CMY Mode: 100-0%
-	-	111	125	Fine green 7 Fine magenta 7	000 ⇔ 255	RGBW Mode: 0-100% / CMY Mode: 100-0%
-	80	112	126	Blue 7 Yellow 7	000 ⇔ 255	RGBW Mode: 0-100% / CMY Mode: 100-0%
-	-	113	127	Fine blue 7 Fine yellow 7	000 ⇔ 255	RGBW Mode: 0-100% / CMY Mode: 100-0%
-	81	114	128	White 7	000 ⇔ 255	RGBW Mode: 0-100% / CMY Mode: 100-0%
-	-	115	129	Fine white 7	000 ⇔ 255	RGBW Mode: 0-100% / CMY Mode: 100-0%
-	-	-	130	Dimmer 8	000 ⇔ 255	0-100%
-	-	-	131	Fine dimmer 8	000 ⇔ 255	0-100%
-	82	116	132	Red 8 Cyan 8	000 ⇔ 255	RGBW Mode: 0-100% / CMY Mode: 100-0%
-	-	117	133	Fine red 8 Fine cyan 8	000 ⇔ 255	RGBW Mode: 0-100% / CMY Mode: 100-0%
-	83	118	134	Green 8 Magenta 8	000 ⇔ 255	RGBW Mode: 0-100% / CMY Mode: 100-0%
-	-	119	135	Fine green 8 Fine magenta 8	000 ⇔ 255	RGBW Mode: 0-100% / CMY Mode: 100-0%
-	84	120	136	Blue 8 Yellow 8	000 ⇔ 255	RGBW Mode: 0-100% / CMY Mode: 100-0%
-	-	121	137	Fine blue 8 Fine yellow 8	000 ⇔ 255	RGBW Mode: 0-100% / CMY Mode: 100-0%
-	85	122	138	White 8	000 ⇔ 255	RGBW Mode: 0-100% / CMY Mode: 100-0%
-	-	123	139	Fine white 8	000 ⇔ 255	RGBW Mode: 0-100% / CMY Mode: 100-0%

53 CH	101 CH	155 CH	179 CH	Function	Value	Percent/Setting
-	-	-	140	Dimmer 9	000 ⇔ 255	0–100%
-	-	-	141	Fine dimmer 9	000 ⇔ 255	0–100%
-	86	124	142	Red 9 Cyan 9	000 ⇔ 255	RGBW Mode: 0–100% / CMY Mode: 100–0%
-	-	125	143	Fine red 9 Fine cyan 9	000 ⇔ 255	RGBW Mode: 0–100% / CMY Mode: 100–0%
-	87	126	144	Green 9 Magenta 9	000 ⇔ 255	RGBW Mode: 0–100% / CMY Mode: 100–0%
-	-	127	145	Fine green 9 Fine magenta 9	000 ⇔ 255	RGBW Mode: 0–100% / CMY Mode: 100–0%
-	88	128	146	Blue 9 Yellow 9	000 ⇔ 255	RGBW Mode: 0–100% / CMY Mode: 100–0%
-	-	129	147	Fine blue 9 Fine yellow 9	000 ⇔ 255	RGBW Mode: 0–100% / CMY Mode: 100–0%
-	89	130	148	White 9	000 ⇔ 255	RGBW Mode: 0–100% / CMY Mode: 100–0%
-	-	131	149	Fine white 9	000 ⇔ 255	RGBW Mode: 0–100% / CMY Mode: 100–0%
-	-	-	150	Dimmer 10	000 ⇔ 255	0–100%
-	-	-	151	Fine dimmer 10	000 ⇔ 255	0–100%
-	90	132	152	Red 10 Cyan 10	000 ⇔ 255	RGBW Mode: 0–100% / CMY Mode: 100–0%
-	-	133	153	Fine red 10 Fine cyan 10	000 ⇔ 255	RGBW Mode: 0–100% / CMY Mode: 100–0%
-	91	134	154	Green 10 Magenta 10	000 ⇔ 255	RGBW Mode: 0–100% / CMY Mode: 100–0%
-	-	135	155	Fine green 10 Fine magenta 10	000 ⇔ 255	RGBW Mode: 0–100% / CMY Mode: 100–0%
-	92	136	156	Blue 10 Yellow 10	000 ⇔ 255	RGBW Mode: 0–100% / CMY Mode: 100–0%
-	-	137	157	Fine blue 10 Fine yellow 10	000 ⇔ 255	RGBW Mode: 0–100% / CMY Mode: 100–0%
-	93	138	158	White 10	000 ⇔ 255	RGBW Mode: 0–100% / CMY Mode: 100–0%
-	-	139	159	Fine white 10	000 ⇔ 255	RGBW Mode: 0–100% / CMY Mode: 100–0%
-	-	-	160	Dimmer 11	000 ⇔ 255	0–100%
-	-	-	161	Fine dimmer 11	000 ⇔ 255	0–100%
-	94	140	162	Red 11 Cyan 11	000 ⇔ 255	RGBW Mode: 0–100% / CMY Mode: 100–0%
-	-	141	163	Fine red 11 Fine cyan 11	000 ⇔ 255	RGBW Mode: 0–100% / CMY Mode: 100–0%
-	95	142	164	Green 11 Magenta 11	000 ⇔ 255	RGBW Mode: 0–100% / CMY Mode: 100–0%
-	-	143	165	Fine green 11 Fine magenta 11	000 ⇔ 255	RGBW Mode: 0–100% / CMY Mode: 100–0%
-	96	144	166	Blue 11 Yellow 11	000 ⇔ 255	RGBW Mode: 0–100% / CMY Mode: 100–0%
-	-	145	167	Fine blue 11 Fine yellow 11	000 ⇔ 255	RGBW Mode: 0–100% / CMY Mode: 100–0%
-	97	146	168	White 11	000 ⇔ 255	RGBW Mode: 0–100% / CMY Mode: 100–0%
-	-	147	169	Fine white 11	000 ⇔ 255	RGBW Mode: 0–100% / CMY Mode: 100–0%
-	-	-	170	Dimmer 12	000 ⇔ 255	0–100%
-	-	-	171	Fine dimmer 12	000 ⇔ 255	0–100%
-	98	148	172	Red 12 Cyan 12	000 ⇔ 255	RGBW Mode: 0–100% / CMY Mode: 100–0%
-	-	149	173	Fine red 12 Fine cyan 12	000 ⇔ 255	RGBW Mode: 0–100% / CMY Mode: 100–0%
-	99	150	174	Green 12 Magenta 12	000 ⇔ 255	RGBW Mode: 0–100% / CMY Mode: 100–0%
-	-	151	175	Fine green 12 Fine magenta 12	000 ⇔ 255	RGBW Mode: 0–100% / CMY Mode: 100–0%
-	100	152	176	Blue 12 Yellow 12	000 ⇔ 255	RGBW Mode: 0–100% / CMY Mode: 100–0%
-	-	153	177	Fine blue 12 Fine yellow 12	000 ⇔ 255	RGBW Mode: 0–100% / CMY Mode: 100–0%
-	101	154	178	White 12	000 ⇔ 255	RGBW Mode: 0–100% / CMY Mode: 100–0%
-	-	155	179	Fine white 12	000 ⇔ 255	RGBW Mode: 0–100% / CMY Mode: 100–0%

Operation

Dual Control Mode - Movement Basic (8CH)

Channel	Function	Value	Percent/Setting
1	Tilt 1–12	000 ⇔ 255	0–100%
2	Fine tilt 1–12	000 ⇔ 255	0–100%
3	Tilt speed	000 ⇔ 255	0–100%
4	Tilt macro	000 ⇔ 004 005 ⇔ 255	No function see Tilt Macro
5	Dimmer	000 ⇔ 255	0–100%
6	Strobe	000 ⇔ 019 020 ⇔ 255	Off see Strobe Settings
7	Zoom 1–12	000 ⇔ 255	0–100%
8	Control	000 ⇔ 009 010 ⇔ 255	No function see Control Settings

Basic2 (41CH) / Standard (53CH) / Advanced (59CH)

41 CH	53 CH	59 CH	Function	Value	Percent/Setting
1	1	1	Tilt 1	000 ⇔ 255	0–100%
2	2	2	Fine tilt 1	000 ⇔ 255	0–100%
3	3	3	Tilt 2	000 ⇔ 255	0–100%
4	4	4	Fine tilt 2	000 ⇔ 255	0–100%
5	5	5	Tilt 3	000 ⇔ 255	0–100%
6	6	6	Fine tilt 3	000 ⇔ 255	0–100%
7	7	7	Tilt 4	000 ⇔ 255	0–100%
8	8	8	Fine tilt 4	000 ⇔ 255	0–100%
9	9	9	Tilt 5	000 ⇔ 255	0–100%
10	10	10	Fine tilt 5	000 ⇔ 255	0–100%
11	11	11	Tilt 6	000 ⇔ 255	0–100%
12	12	12	Fine tilt 6	000 ⇔ 255	0–100%
13	13	13	Tilt 7	000 ⇔ 255	0–100%
14	14	14	Fine tilt 7	000 ⇔ 255	0–100%
15	15	15	Tilt 8	000 ⇔ 255	0–100%
16	16	16	Fine tilt 8	000 ⇔ 255	0–100%
17	17	17	Tilt 9	000 ⇔ 255	0–100%
18	18	18	Fine tilt 9	000 ⇔ 255	0–100%
19	19	19	Tilt 10	000 ⇔ 255	0–100%
20	20	20	Fine tilt 10	000 ⇔ 255	0–100%
21	21	21	Tilt 11	000 ⇔ 255	0–100%
22	22	22	Fine tilt 11	000 ⇔ 255	0–100%
23	23	23	Tilt 12	000 ⇔ 255	0–100%
24	24	24	Fine tilt 12	000 ⇔ 255	0–100%
25	25	25	Tilt speed	000 ⇔ 255	Fast to slow
26	26	26	Tilt macro	000 ⇔ 004 005 ⇔ 255	No function see Tilt Macro
–	27	27	CTC	000 001 ⇔ 255	No function From 19000K to 2700K
–	28	28	Color macro	000 001 ⇔ 255	No function see Color Chart
–	29	29	Pattern (see Patterns)	000 001 ⇔ 002	No function Pattern 1–255

41 CH	53 CH	59 CH	Function	Value	Percent/Setting
-	30	30	LED built-in	000 ⇔ 015 016 ⇔ 255	No function see LED Macro
-	31	31	LED built-in speed	000 ⇔ 127 128 129 ⇔ 255	Fast to slow Stop Slow to fast
-	32	32	LED built-in delay	000 ⇔ 255	Fast to slow
-	33	33	Background color	000 001 ⇔ 255	No function see Color Chart
-	34	34	Background color dimmer	000 ⇔ 255	0–100%
-	-	35	Background color fine dimmer	000 ⇔ 255	0–100%
27	35	36	Dimmer	000 ⇔ 255	0–100%
-	-	37	Fine dimmer	000 ⇔ 255	0–100%
28	36	38	Strobe	000 ⇔ 019 020 ⇔ 255	Off see Strobe Settings
29	37	39	Zoom 1	000 ⇔ 255	0–100%
30	38	40	Zoom 2	000 ⇔ 255	0–100%
31	39	41	Zoom 3	000 ⇔ 255	0–100%
32	40	42	Zoom 4	000 ⇔ 255	0–100%
33	41	43	Zoom 5	000 ⇔ 255	0–100%
34	42	44	Zoom 6	000 ⇔ 255	0–100%
35	43	45	Zoom 7	000 ⇔ 255	0–100%
36	44	46	Zoom 8	000 ⇔ 255	0–100%
37	45	47	Zoom 9	000 ⇔ 255	0–100%
38	46	48	Zoom 10	000 ⇔ 255	0–100%
39	47	49	Zoom 11	000 ⇔ 255	0–100%
40	48	50	Zoom 12	000 ⇔ 255	0–100%
41	49	51	Control	000 ⇔ 009 010 ⇔ 255	No function see Control Settings
-	50	52	Red Cyan	000 ⇔ 255	RGBW Mode: 0–100% / CMY Mode: 100–0%
-	-	53	Fine red Fine cyan	000 ⇔ 255	RGBW Mode: 0–100% / CMY Mode: 100–0%
-	51	54	Green Magenta	000 ⇔ 255	RGBW Mode: 0–100% / CMY Mode: 100–0%
-	-	55	Fine green Fine magenta	000 ⇔ 255	RGBW Mode: 0–100% / CMY Mode: 100–0%
-	52	56	Blue Yellow	000 ⇔ 255	RGBW Mode: 0–100% / CMY Mode: 100–0%
-	-	57	Fine blue Fine yellow	000 ⇔ 255	RGBW Mode: 0–100% / CMY Mode: 100–0%
-	53	58	White	000 ⇔ 255	RGBW Mode: 0–100% / CMY Mode: 100–0%
-	-	59	Fine white	000 ⇔ 255	RGBW Mode: 0–100% / CMY Mode: 100–0%

Dual Control Mode - Pixels

Basic (36CH) / Standard (48CH) / Advanced (96CH)

36 CH	48 CH	96 CH	Function	Value	Percent/Setting
1	1	1	Red 1 Cyan 1	000 ⇔ 255	RGBW Mode: 0–100% / CMY Mode: 100–0%
–	–	2	Fine red 1 Fine cyan 1	000 ⇔ 255	RGBW Mode: 0–100% / CMY Mode: 100–0%
2	2	3	Green 1 Magenta 1	000 ⇔ 255	RGBW Mode: 0–100% / CMY Mode: 100–0%
–	–	4	Fine green 1 Fine magenta 1	000 ⇔ 255	RGBW Mode: 0–100% / CMY Mode: 100–0%
3	3	5	Blue 1 Yellow 1	000 ⇔ 255	RGBW Mode: 0–100% / CMY Mode: 100–0%
–	–	6	Fine blue 1 Fine yellow 1	000 ⇔ 255	RGBW Mode: 0–100% / CMY Mode: 100–0%
–	4	7	White 1	000 ⇔ 255	RGBW Mode: 0–100% / CMY Mode: 100–0%
–	–	8	Fine white 1	000 ⇔ 255	RGBW Mode: 0–100% / CMY Mode: 100–0%
4	5	9	Red 2 Cyan 2	000 ⇔ 255	RGBW Mode: 0–100% / CMY Mode: 100–0%
–	–	10	Fine red 2 Fine cyan 2	000 ⇔ 255	RGBW Mode: 0–100% / CMY Mode: 100–0%
5	6	11	Green 2 Magenta 2	000 ⇔ 255	RGBW Mode: 0–100% / CMY Mode: 100–0%
–	–	12	Fine green 2 Fine magenta 2	000 ⇔ 255	RGBW Mode: 0–100% / CMY Mode: 100–0%
6	7	13	Blue 2 Yellow 2	000 ⇔ 255	RGBW Mode: 0–100% / CMY Mode: 100–0%
–	–	14	Fine blue 2 Fine yellow 2	000 ⇔ 255	RGBW Mode: 0–100% / CMY Mode: 100–0%
–	8	15	White 2	000 ⇔ 255	RGBW Mode: 0–100% / CMY Mode: 100–0%
–	–	16	Fine white 2	000 ⇔ 255	RGBW Mode: 0–100% / CMY Mode: 100–0%
7	9	17	Red 3 Cyan 3	000 ⇔ 255	RGBW Mode: 0–100% / CMY Mode: 100–0%
–	–	18	Fine red 3 Fine cyan 3	000 ⇔ 255	RGBW Mode: 0–100% / CMY Mode: 100–0%
8	10	19	Green 3 Magenta 3	000 ⇔ 255	RGBW Mode: 0–100% / CMY Mode: 100–0%
–	–	20	Fine green 3 Fine magenta 3	000 ⇔ 255	RGBW Mode: 0–100% / CMY Mode: 100–0%
9	11	21	Blue 3 Yellow 3	000 ⇔ 255	RGBW Mode: 0–100% / CMY Mode: 100–0%
–	–	22	Fine blue 3 Fine yellow 3	000 ⇔ 255	RGBW Mode: 0–100% / CMY Mode: 100–0%
–	12	23	White 3	000 ⇔ 255	RGBW Mode: 0–100% / CMY Mode: 100–0%
–	–	24	Fine white 3	000 ⇔ 255	RGBW Mode: 0–100% / CMY Mode: 100–0%
10	13	25	Red 4 Cyan 4	000 ⇔ 255	RGBW Mode: 0–100% / CMY Mode: 100–0%
–	–	26	Fine red 4 Fine cyan 4	000 ⇔ 255	RGBW Mode: 0–100% / CMY Mode: 100–0%
11	14	27	Green 4 Magenta 4	000 ⇔ 255	RGBW Mode: 0–100% / CMY Mode: 100–0%
–	–	28	Fine green 4 Fine magenta 4	000 ⇔ 255	RGBW Mode: 0–100% / CMY Mode: 100–0%
12	15	29	Blue 4 Yellow 4	000 ⇔ 255	RGBW Mode: 0–100% / CMY Mode: 100–0%
–	–	30	Fine blue 4 Fine yellow 4	000 ⇔ 255	RGBW Mode: 0–100% / CMY Mode: 100–0%
13	16	31	White 4	000 ⇔ 255	RGBW Mode: 0–100% / CMY Mode: 100–0%
–	–	32	Fine white 4	000 ⇔ 255	RGBW Mode: 0–100% / CMY Mode: 100–0%
–	17	33	Red 5 Cyan 5	000 ⇔ 255	RGBW Mode: 0–100% / CMY Mode: 100–0%
–	–	34	Fine red 5 Fine cyan 5	000 ⇔ 255	RGBW Mode: 0–100% / CMY Mode: 100–0%
14	18	35	Green 5 Magenta 5	000 ⇔ 255	RGBW Mode: 0–100% / CMY Mode: 100–0%
–	–	36	Fine green 5 Fine magenta 5	000 ⇔ 255	RGBW Mode: 0–100% / CMY Mode: 100–0%
15	19	37	Blue 5 Yellow 5	000 ⇔ 255	RGBW Mode: 0–100% / CMY Mode: 100–0%
–	–	38	Fine blue 5 Fine yellow 5	000 ⇔ 255	RGBW Mode: 0–100% / CMY Mode: 100–0%
16	20	39	White 5	000 ⇔ 255	RGBW Mode: 0–100% / CMY Mode: 100–0%
–	–	40	Fine white 5	000 ⇔ 255	RGBW Mode: 0–100% / CMY Mode: 100–0%
–	21	41	Red 6 Cyan 6	000 ⇔ 255	RGBW Mode: 0–100% / CMY Mode: 100–0%
–	–	42	Fine red 6 Fine cyan 6	000 ⇔ 255	RGBW Mode: 0–100% / CMY Mode: 100–0%
17	22	43	Green 6 Magenta 6	000 ⇔ 255	RGBW Mode: 0–100% / CMY Mode: 100–0%
–	–	44	Fine green 6 Fine magenta 6	000 ⇔ 255	RGBW Mode: 0–100% / CMY Mode: 100–0%
18	23	45	Blue 6 Yellow 6	000 ⇔ 255	RGBW Mode: 0–100% / CMY Mode: 100–0%
–	–	46	Fine blue 6 Fine yellow 6	000 ⇔ 255	RGBW Mode: 0–100% / CMY Mode: 100–0%
19	24	47	White 6	000 ⇔ 255	RGBW Mode: 0–100% / CMY Mode: 100–0%
–	–	48	Fine white 6	000 ⇔ 255	RGBW Mode: 0–100% / CMY Mode: 100–0%

36 CH	48 CH	96 CH	Function	Value	Percent/Setting
-	25	49	Red 7 Cyan 7	000 ⇔ 255	RGBW Mode: 0–100% / CMY Mode: 100–0%
-	-	50	Fine red 7 Fine cyan 7	000 ⇔ 255	RGBW Mode: 0–100% / CMY Mode: 100–0%
20	26	51	Green 7 Magenta 7	000 ⇔ 255	RGBW Mode: 0–100% / CMY Mode: 100–0%
-	-	52	Fine green 7 Fine magenta 7	000 ⇔ 255	RGBW Mode: 0–100% / CMY Mode: 100–0%
21	27	53	Blue 7 Yellow 7	000 ⇔ 255	RGBW Mode: 0–100% / CMY Mode: 100–0%
-	-	54	Fine blue 7 Fine yellow 7	000 ⇔ 255	RGBW Mode: 0–100% / CMY Mode: 100–0%
22	28	55	White 7	000 ⇔ 255	RGBW Mode: 0–100% / CMY Mode: 100–0%
-	-	56	Fine white 7	000 ⇔ 255	RGBW Mode: 0–100% / CMY Mode: 100–0%
23	29	57	Red 8 Cyan 8	000 ⇔ 255	RGBW Mode: 0–100% / CMY Mode: 100–0%
-	-	58	Fine red 8 Fine cyan 8	000 ⇔ 255	RGBW Mode: 0–100% / CMY Mode: 100–0%
-	30	59	Green 8 Magenta 8	000 ⇔ 255	RGBW Mode: 0–100% / CMY Mode: 100–0%
-	-	60	Fine green 8 Fine magenta 8	000 ⇔ 255	0–100%
24	31	61	Blue 8 Yellow 8	000 ⇔ 255	0–100%
-	-	62	Fine blue 8 Fine yellow 8	000 ⇔ 255	0–100%
25	32	63	White 8	000 ⇔ 255	0–100%
-	-	64	Fine white 8	000 ⇔ 255	RGBW Mode: 0–100% / CMY Mode: 100–0%
26	33	65	Red 9 Cyan 9	000 ⇔ 255	RGBW Mode: 0–100% / CMY Mode: 100–0%
-	-	66	Fine red 9 Fine cyan 9	000 ⇔ 255	RGBW Mode: 0–100% / CMY Mode: 100–0%
-	34	67	Green 9 Magenta 9	000 ⇔ 255	RGBW Mode: 0–100% / CMY Mode: 100–0%
-	-	68	Fine green 9 Fine magenta 9	000 ⇔ 255	RGBW Mode: 0–100% / CMY Mode: 100–0%
27	35	69	Blue 9 Yellow 9	000 ⇔ 255	RGBW Mode: 0–100% / CMY Mode: 100–0%
-	-	70	Fine blue 9 Fine yellow 9	000 ⇔ 255	RGBW Mode: 0–100% / CMY Mode: 100–0%
28	36	71	White 9	000 ⇔ 255	RGBW Mode: 0–100% / CMY Mode: 100–0%
-	-	72	Fine white 9	000 ⇔ 255	RGBW Mode: 0–100% / CMY Mode: 100–0%
29	37	73	Red 10 Cyan 10	000 ⇔ 255	RGBW Mode: 0–100% / CMY Mode: 100–0%
-	-	74	Fine red 10 Fine cyan 10	000 ⇔ 255	RGBW Mode: 0–100% / CMY Mode: 100–0%
-	38	75	Green 10 Magenta 10	000 ⇔ 255	RGBW Mode: 0–100% / CMY Mode: 100–0%
-	-	76	Fine green 10 Fine magenta 10	000 ⇔ 255	RGBW Mode: 0–100% / CMY Mode: 100–0%
30	39	77	Blue 10 Yellow 10	000 ⇔ 255	RGBW Mode: 0–100% / CMY Mode: 100–0%
-	-	78	Fine blue 10 Fine yellow 10	000 ⇔ 255	RGBW Mode: 0–100% / CMY Mode: 100–0%
-	40	79	White 10	000 ⇔ 255	RGBW Mode: 0–100% / CMY Mode: 100–0%
-	-	80	Fine white 10	000 ⇔ 255	RGBW Mode: 0–100% / CMY Mode: 100–0%
31	41	81	Red 11 Cyan 11	000 ⇔ 255	RGBW Mode: 0–100% / CMY Mode: 100–0%
-	-	82	Fine red 11 Fine cyan 11	000 ⇔ 255	RGBW Mode: 0–100% / CMY Mode: 100–0%
32	42	83	Green 11 Magenta 11	000 ⇔ 255	RGBW Mode: 0–100% / CMY Mode: 100–0%
-	-	84	Fine green 11 Fine magenta 11	000 ⇔ 255	RGBW Mode: 0–100% / CMY Mode: 100–0%
33	43	85	Blue 11 Yellow 11	000 ⇔ 255	RGBW Mode: 0–100% / CMY Mode: 100–0%
-	-	86	Fine blue 11 Fine yellow 11	000 ⇔ 255	RGBW Mode: 0–100% / CMY Mode: 100–0%
-	44	87	White 11	000 ⇔ 255	RGBW Mode: 0–100% / CMY Mode: 100–0%
-	-	88	Fine white 11	000 ⇔ 255	RGBW Mode: 0–100% / CMY Mode: 100–0%
34	45	89	Red 12 Cyan 12	000 ⇔ 255	RGBW Mode: 0–100% / CMY Mode: 100–0%
-	-	90	Fine red 12 Fine cyan 12	000 ⇔ 255	RGBW Mode: 0–100% / CMY Mode: 100–0%
35	46	91	Green 12 Magenta 12	000 ⇔ 255	RGBW Mode: 0–100% / CMY Mode: 100–0%
-	-	92	Fine green 12 Fine magenta 12	000 ⇔ 255	RGBW Mode: 0–100% / CMY Mode: 100–0%
36	47	93	Blue 12 Yellow 12	000 ⇔ 255	RGBW Mode: 0–100% / CMY Mode: 100–0%
-	-	94	Fine blue 12 Fine yellow 12	000 ⇔ 255	RGBW Mode: 0–100% / CMY Mode: 100–0%
-	48	95	White 12	000 ⇔ 255	RGBW Mode: 0–100% / CMY Mode: 100–0%
-	-	96	Fine white 12	000 ⇔ 255	RGBW Mode: 0–100% / CMY Mode: 100–0%

Operation

Tilt Macro

Value	Percent/Setting	Value	Percent/Setting
000 ⇔ 004	No function	130 ⇔ 134	Tilt macro 26
005 ⇔ 009	Tilt macro 1	135 ⇔ 139	Tilt macro 27
010 ⇔ 014	Tilt macro 2	140 ⇔ 144	Tilt macro 28
015 ⇔ 019	Tilt macro 3	145 ⇔ 149	Tilt macro 29
020 ⇔ 024	Tilt macro 4	150 ⇔ 154	Tilt macro 30
025 ⇔ 029	Tilt macro 5	155 ⇔ 159	Tilt macro 31
030 ⇔ 034	Tilt macro 6	160 ⇔ 164	Tilt macro 32
035 ⇔ 039	Tilt macro 7	165 ⇔ 169	Tilt macro 33
040 ⇔ 044	Tilt macro 8	170 ⇔ 174	Tilt macro 34
045 ⇔ 049	Tilt macro 9	175 ⇔ 179	Tilt macro 35
050 ⇔ 054	Tilt macro 10	180 ⇔ 184	Tilt macro 36
055 ⇔ 059	Tilt macro 11	185 ⇔ 189	Tilt macro 37
060 ⇔ 064	Tilt macro 12	190 ⇔ 194	Tilt macro 38
065 ⇔ 069	Tilt macro 13	195 ⇔ 199	Tilt macro 39
070 ⇔ 074	Tilt macro 14	200 ⇔ 204	Tilt macro 40
075 ⇔ 079	Tilt macro 15	205 ⇔ 209	Tilt macro 41
080 ⇔ 084	Tilt macro 16	210 ⇔ 214	Tilt macro 42
085 ⇔ 089	Tilt macro 17	215 ⇔ 219	Tilt macro 43
090 ⇔ 094	Tilt macro 18	220 ⇔ 224	Tilt macro 44
095 ⇔ 099	Tilt macro 19	225 ⇔ 229	Tilt macro 45
100 ⇔ 104	Tilt macro 20	230 ⇔ 234	Tilt macro 46
105 ⇔ 109	Tilt macro 21	235 ⇔ 239	Tilt macro 47
110 ⇔ 114	Tilt macro 22	240 ⇔ 244	Tilt macro 48
115 ⇔ 119	Tilt macro 23	245 ⇔ 249	Tilt macro 49
120 ⇔ 124	Tilt macro 24	250 ⇔ 254	Tilt macro 50
125 ⇔ 129	Tilt macro 25	255	Tilt macro 51

Color Chart

Value	Percent/Setting				
000	No function				
001 ⇔ 002	White 2700K	R = 156	G = 118	B = 0	W = 63
003 ⇔ 004	White 3200K	R = 156	G = 141	B = 5	W = 89
005 ⇔ 006	White 4200K	R = 156	G = 141	B = 14	W = 255
007 ⇔ 008	White 5600K	R = 156	G = 207	B = 54	W = 255
009 ⇔ 010	White 8000K	R = 130	G = 255	B = 96	W = 255
011	Blue	R = 0	G = 0	B = 255	W = 0
012 ⇔ 048	+ Green	R = 0	G = 0–255	B = 255	W = 0
049	Cyan	R = 0	G = 255	B = 255	W = 0
050 ⇔ 086	- Blue	R = 0	G = 255	B = 255–0	W = 0
087	Green	R = 0	G = 255	B = 0	W = 0
088 ⇔ 124	+ Red	R = 0–255	G = 255	B = 0	W = 0
125	Yellow	R = 255	G = 255	B = 0	W = 0
126 ⇔ 162	- Green	R = 255	G = 255–0	B = 0	W = 0
163	Red	R = 255	G = 0	B = 0	W = 0
164 ⇔ 200	+ Blue	R = 255	G = 0	B = 0–255	W = 0
201	Magenta	R = 255	G = 0	B = 255	W = 0
202 ⇔ 238	- Red	R = 255–0	G = 0	B = 255	W = 0
239	Blue	R = 0	G = 0	B = 255	W = 0
240 ⇔ 247	Color fade, fast to slow				
248 ⇔ 255	Color snap, fast to slow				

Strobe Settings

Value	Percent/Setting	Value	Percent/Setting
000 ⇔ 019	Off	145 ⇔ 149	On
020 ⇔ 024	On	150 ⇔ 164	Random strobe 0–100%, fast to slow
025 ⇔ 064	Strobe, fast to slow	165 ⇔ 169	On
065 ⇔ 069	On	170 ⇔ 184	Pulse strobe, fast to slow
070 ⇔ 084	Strobe 100–0%, fast to slow	185 ⇔ 189	On
085 ⇔ 089	On	190 ⇔ 204	Random pulse strobe, fast to slow
090 ⇔ 104	Strobe 0–100%, fast to slow	205 ⇔ 209	On
105 ⇔ 109	On	210 ⇔ 224	Strobe 0–100–0%, fast to slow
110 ⇔ 124	Random strobe, fast to slow	225 ⇔ 229	On
125 ⇔ 129	On	230 ⇔ 244	Random pulse strobe, fast to slow
130 ⇔ 144	Random strobe 100–0%, fast to slow	245 ⇔ 255	On

Control Settings

Value	Percent/Setting	Value	Percent/Setting
000 ⇔ 009	No function	105 ⇔ 109	Reserved for future use
010 ⇔ 014	Blackout on tilt	110 ⇔ 114	Red Shift on
015 ⇔ 019	Reserved for future use	115 ⇔ 119	Red Shift off
020 ⇔ 024	RGBW (additive) color-mixing mode	120 ⇔ 134	Reserved for future use
025 ⇔ 029	CMY (subtractive) color-mixing mode	135 ⇔ 139	Dimmer fast
030 ⇔ 034	Combine heads	140 ⇔ 144	Dimmer smooth
035 ⇔ 039	Disable combine heads	145 ⇔ 149	Linear
040 ⇔ 044	Color presets HTP on	150 ⇔ 154	Square
045 ⇔ 049	Color presets HTP off	155 ⇔ 159	I Squa
050 ⇔ 054	Reserved for future use	160 ⇔ 164	S-Curve
055 ⇔ 059	Tilt reset	165 ⇔ 169	White Mode
060 ⇔ 064	Zoom reset	170 ⇔ 174	Full Mode
065 ⇔ 069	Reserved for future use	175 ⇔ 179	PWM 600HZ
070 ⇔ 074	All reset	180 ⇔ 184	PWM 1200HZ
075 ⇔ 079	Cell order 1–12	185 ⇔ 189	PWM 2000 HZ
080 ⇔ 084	Cell order 12–1	190 ⇔ 194	PWM 4000 HZ
085 ⇔ 089	Reserved for future use	195 ⇔ 199	PWM 6000 HZ
090 ⇔ 094	Tilt reverse	200 ⇔ 204	PWM 15000 HZ
095 ⇔ 099	Reserved for future use	205 ⇔ 255	Reserved for future use
100 ⇔ 104	Disable tilt reverse		



Preset Color HTP

When preset color HTP is on, manual color controls may be used at the same time as preset color controls.

When preset color HTP is off, preset color controls will override all manual color controls.

LED Macro

Value	Percent/Setting	Value	Percent/Setting	Value	Percent/Setting
000 ⇔ 015	No function	096 ⇔ 097	LED built-in 41	176 ⇔ 177	LED built-in 81
016 ⇔ 017	LED built-in 1	098 ⇔ 099	LED built-in 42	178 ⇔ 179	LED built-in 82
018 ⇔ 019	LED built-in 2	100 ⇔ 101	LED built-in 43	180 ⇔ 181	LED built-in 83
020 ⇔ 021	LED built-in 3	102 ⇔ 103	LED built-in 44	182 ⇔ 183	LED built-in 84
022 ⇔ 023	LED built-in 4	104 ⇔ 105	LED built-in 45	184 ⇔ 185	LED built-in 85
024 ⇔ 025	LED built-in 5	106 ⇔ 107	LED built-in 46	186 ⇔ 187	LED built-in 86
026 ⇔ 027	LED built-in 6	108 ⇔ 109	LED built-in 47	188 ⇔ 189	LED built-in 87
028 ⇔ 029	LED built-in 7	110 ⇔ 111	LED built-in 48	190 ⇔ 191	LED built-in 88
030 ⇔ 031	LED built-in 8	112 ⇔ 113	LED built-in 49	192 ⇔ 193	LED built-in 89
032 ⇔ 033	LED built-in 9	114 ⇔ 115	LED built-in 50	194 ⇔ 195	LED built-in 90
034 ⇔ 035	LED built-in 10	116 ⇔ 117	LED built-in 51	196 ⇔ 197	LED built-in 91
036 ⇔ 037	LED built-in 11	118 ⇔ 119	LED built-in 52	198 ⇔ 199	LED built-in 92
038 ⇔ 039	LED built-in 12	120 ⇔ 121	LED built-in 53	200 ⇔ 201	LED built-in 93
040 ⇔ 041	LED built-in 13	122 ⇔ 123	LED built-in 54	202 ⇔ 203	LED built-in 94
042 ⇔ 043	LED built-in 14	124 ⇔ 125	LED built-in 55	204 ⇔ 205	LED built-in 95
044 ⇔ 045	LED built-in 15	126 ⇔ 127	LED built-in 56	206 ⇔ 207	LED built-in 96
046 ⇔ 047	LED built-in 16	128 ⇔ 129	LED built-in 57	208 ⇔ 209	LED built-in 97
048 ⇔ 049	LED built-in 17	130 ⇔ 131	LED built-in 58	210 ⇔ 211	LED built-in 98
050 ⇔ 051	LED built-in 18	132 ⇔ 133	LED built-in 59	212 ⇔ 213	LED built-in 99
052 ⇔ 053	LED built-in 19	134 ⇔ 135	LED built-in 60	214 ⇔ 215	LED built-in 100
054 ⇔ 055	LED built-in 20	136 ⇔ 137	LED built-in 61	216 ⇔ 217	LED built-in 101
056 ⇔ 057	LED built-in 21	138 ⇔ 139	LED built-in 62	218 ⇔ 219	LED built-in 102
058 ⇔ 059	LED built-in 22	140 ⇔ 141	LED built-in 63	220 ⇔ 221	LED built-in 103
060 ⇔ 061	LED built-in 23	142 ⇔ 143	LED built-in 64	222 ⇔ 223	LED built-in 104
062 ⇔ 063	LED built-in 24	144 ⇔ 145	LED built-in 65	224 ⇔ 225	LED built-in 105
064 ⇔ 065	LED built-in 25	146 ⇔ 147	LED built-in 66	226 ⇔ 227	LED built-in 106
066 ⇔ 067	LED built-in 26	148 ⇔ 149	LED built-in 67	228 ⇔ 229	LED built-in 107
068 ⇔ 069	LED built-in 27	150 ⇔ 151	LED built-in 68	230 ⇔ 231	LED built-in 108
070 ⇔ 071	LED built-in 28	152 ⇔ 153	LED built-in 69	232 ⇔ 233	LED built-in 109
072 ⇔ 073	LED built-in 29	154 ⇔ 155	LED built-in 70	234 ⇔ 235	LED built-in 110
074 ⇔ 075	LED built-in 30	156 ⇔ 157	LED built-in 71	236 ⇔ 237	LED built-in 111
076 ⇔ 077	LED built-in 31	158 ⇔ 159	LED built-in 72	238 ⇔ 239	LED built-in 112
078 ⇔ 079	LED built-in 32	160 ⇔ 161	LED built-in 73	240 ⇔ 241	LED built-in 113
080 ⇔ 081	LED built-in 33	162 ⇔ 163	LED built-in 74	242 ⇔ 243	LED built-in 114
082 ⇔ 083	LED built-in 34	164 ⇔ 165	LED built-in 75	244 ⇔ 245	LED built-in 115
084 ⇔ 085	LED built-in 35	166 ⇔ 167	LED built-in 76	246 ⇔ 247	LED built-in 116
086 ⇔ 087	LED built-in 36	168 ⇔ 169	LED built-in 77	248 ⇔ 249	LED built-in 117
088 ⇔ 089	LED built-in 37	170 ⇔ 171	LED built-in 78	250 ⇔ 251	LED built-in 118
090 ⇔ 091	LED built-in 38	172 ⇔ 173	LED built-in 79	252 ⇔ 253	LED built-in 119
092 ⇔ 093	LED built-in 39	174 ⇔ 175	LED built-in 80	254 ⇔ 255	LED built-in 120
094 ⇔ 095	LED built-in 40				

Patterns

1	oooooooooooo	65	●●●●●●●●●●	129	●●●●●●●●●●	193	●ooooooooo
2	o●●●●●●●●●●	66	oo●●●●●●●●	130	●●●●●●●●●●	194	oooooooo●●●●
3	●o●●●●●●●●	67	oo●●●●●●●●	131	●●●●●●oo●●	195	●oooooooo●●●
4	●●o●●●●●●●	68	oo●●●●●●●●	132	●●●●●●oo●●	196	●●oooooooo●●
5	●●●o●●●●●●	69	oo●●●●●●●●	133	●●●●●●oo●●	197	●●●oooooooo●
6	●●●●o●●●●●	70	oo●●●●●●●●	134	●●●●●●oo●●	198	●●●●oooooooo
7	●●●●●o●●●●	71	oo●●●●●●●●	135	●●●●●●oo●●	199	●●●●oooooooo
8	●●●●●●o●●●	72	oo●●●●●●●●	136	oooooooo●●●●	200	o●●●●●ooooo
9	●●●●●●●o●●	73	oo●●●●●●●●	137	●oooooooo●●●	201	oo●●●●ooooo
10	●●●●●●●●o●	74	oooo●●●●●●	138	●●oooooooo●●	202	ooooooooooooo
11	●●●●●●●●●o	75	●oooooooo●●●	139	●●oooooooo●●	203	oooooooo●●●●
12	●●●●●●●●●●	76	●●oooooooo●●	140	●●oooooooo●●	204	oooooooo●●●●
13	●●●●●●●●●●	77	●●oooooooo●●	141	●●oooooooo●●	205	oooooooo●●●●
14	●●●●●●●●●●	78	●●oooooooo●●	142	●●oooooooo●●	206	oooooooo●●●●
15	oo●●●●●●●●	79	●●oooooooo●●	143	●●oooooooo●●	207	●●●oooooooo●
16	●oo●●●●●●●	80	●●oooooooo●●	144	oooooooo●●●●	208	oooooooo●●●●
17	●●oo●●●●●●	81	●●oooooooo●●	145	oooooooo●●●●	209	●oooooooo●●●
18	●●●oo●●●●●	82	●●oooooooo●●	146	oooooooo●●●●	210	●●oooooooo●●
19	●●●●oo●●●●	83	oooooooo●●●●	147	oooooooo●●●●	211	●●oooooooo●●
20	●●●●●oo●●●	84	oo●●●●●●●●	148	oooooooo●●●●	212	●●●oooooooo●
21	●●●●●●oo●●	85	oo●●●●●●●●	149	oooooooo●●●●	213	o●●●●ooooo●
22	●●●●●●●oo●	86	oo●●●●●●●●	150	oooooooo●●●●	214	oo●●●●ooooo
23	●●●●●●●●oo	87	●oooooooo●●●	151	oooooooo●●●●	215	oo●●●●ooooo
24	●●●●●●●●●o	88	●oooooooo●●●	152	oooooooo●●●●	216	oo●●●●ooooo
25	●●●●●●●●●●	89	●oooooooo●●●	153	oooooooo●●●●	217	oooooooo●●●●
26	o●●●●●●●●●	90	●oooooooo●●●	154	●oooooooo●●●	218	oooooooo●●●●
27	oo●●●●●●●●	91	oooooooo●●●●	155	●oooooooo●●●	219	oooooooo●●●●
28	●oo●●●●●●●	92	●oooooooo●●●	156	oooooooo●●●●	220	oooooooo●●●●
29	●●oo●●●●●●	93	●oooooooo●●●	157	oooooooo●●●●	221	●oooooooo●●●
30	●●●oo●●●●●	94	●oooooooo●●●	158	oooooooo●●●●	222	●oooooooo●●●
31	●●●●oo●●●●	95	oooooooo●●●●	159	oooooooo●●●●	223	●●oooooooo●●
32	●●●●●oo●●●	96	●oooooooo●●●	160	●oooooooo●●●	224	o●●●oooooooo
33	●●●●●●oo●●	97	●oooooooo●●●	161	●oooooooo●●●	225	oo●●oooooooo
34	●●●●●●●oo●	98	●oooooooo●●●	162	●oooooooo●●●	226	oo●●oooooooo
35	●●●●●●●●oo	99	●oooooooo●●●	163	●oooooooo●●●	227	oooooooo●●●●
36	●●●●●●●●●o	100	●oooooooo●●●	164	●oooooooo●●●	228	oooooooo●●●●
37	oooooooo●●●●	101	●oooooooo●●●	165	●oooooooo●●●	229	oooooooo●●●●
38	●oooooooo●●●	102	oo●●oooooooo	166	oooooooo●●●●	230	oooooooo●●●●
39	oo●oooooooo●	103	oo●oooooooo●	167	●oooooooo●●●	231	oooooooo●●●●
40	●oooooooo●●●	104	oo●oooooooo●	168	●oooooooo●●●	232	oooooooo●●●●
41	●●oooooooo●●	105	oo●oooooooo●	169	●oooooooo●●●	233	●oooooooo●●●
42	●●●oooooooo●	106	oo●oooooooo●	170	●oooooooo●●●	234	●oooooooo●●●
43	●●●●oooooooo	107	oo●oooooooo●	171	●oooooooo●●●	235	o●oooooooo●●
44	●●●●●oooooooo	108	oo●oooooooo●	172	●oooooooo●●●	236	oo●oooooooo●
45	●●●●●●oooooooo	109	●oooooooo●●●	173	oooooooo●●●●	237	oo●●oooooooo
46	oooooooo●●●●	110	●oooooooo●●●	174	oooooooo●●●●	238	oooooooo●●●●
47	●oooooooo●●●	111	●oooooooo●●●	175	oooooooo●●●●	239	oooooooo●●●●
48	●●oooooooo●●	112	●oooooooo●●●	176	oooooooo●●●●	240	oooooooo●●●●
49	●●●oooooooo●	113	●oooooooo●●●	177	oooooooo●●●●	241	oooooooo●●●●
50	●●●●oooooooo	114	●oooooooo●●●	178	oooooooo●●●●	242	oooooooo●●●●
51	●●●●●oooooooo	115	oooooooo●●●●	179	●oooooooo●●●	243	oooooooo●●●●
52	●●●●●●oooooooo	116	●oooooooo●●●	180	●oooooooo●●●	244	oooooooo●●●●
53	●●●●●●●oooooooo	117	●oooooooo●●●	181	●oooooooo●●●	245	●oooooooo●●●
54	●●●●●●●●oooooooo	118	●oooooooo●●●	182	oooooooo●●●●	246	oooooooo●●●●
55	●●●●●●●●●oooooooo	119	●oooooooo●●●	183	o●oooooooo●●	247	oo●oooooooo●
56	oooooooo●●●●oo	120	●oooooooo●●●	184	oooooooo●●●●	248	oo●oooooooo●
57	oo●oooooooo●oo	121	●oooooooo●●●	185	oooooooo●●●●	249	oo●oooooooo●
58	o●oooooooo●●oo	122	●oooooooo●●●	186	oooooooo●●●●	250	oooooooo●●●●
59	●oooooooo●●●oo	123	●oooooooo●●●	187	oooooooo●●●●	251	●oooooooo●●●
60	●●oooooooo●●oo	124	●oooooooo●●●	188	oooooooo●●●●	252	o●oooooooo●●
61	●●●oooooooo●oo	125	●oooooooo●●●	189	●oooooooo●●●	253	oo●oooooooo●
62	●●●●oooooooo●o	126	●oooooooo●●●	190	●oooooooo●●●	254	oo●oooooooo●
63	●●●●●oooooooo●	127	●oooooooo●●●	191	●oooooooo●●●	255	oo●oooooooo●
64	●●●●●●oooooooo	128	●oooooooo●●●	192	●oooooooo●●●	256	oooooooo●●●●

Operation

Configuration

Test Mode

Auto Test

To perform an auto test of the COLORado PXL Curve 12, follow the instructions below:

1. Go to the **Run Mode** main level.
2. Select **Auto Test**.

Manual Test

To test the functions of the COLORado PXL Curve 12 manually, do the following:

1. Go to the **Run Mode** main level.
2. Select **Manual Test**.
3. Select the function (**Tilt, P/T Speed, Red, Green, Blue, White, CTC, Color, Pattern, LED Macro, LED Ma. Speed, LED Ma. Fade, Background, Background Dim., Dimmer, Shutter, Function, and Zoom**) to test.
4. Change the value of the tested function, **000–255**.

Setup

Network Settings

To adjust the IP Mode, IP Byte, and SubMask settings, follow the instructions below:

1. Go to the **Setup** main level.
2. Select **Network Settings**.

IP mode

The IP address of the COLORado PXL Curve 12 can be set manually, by the network, or to a preset static address specific to each product. To set the IP Mode, do the following:

1. Navigate to **Network Settings**.
2. Select **IP Mode**.
3. Select among:
 - **Manual** – set the IP address with the control panel
 - **DHCP** – the network sets the IP address
 - **Static** – a preset address specific to each product

IP byte

In Manual IP Mode, the IP address must be assigned using the product menu. To set the IP address in Manual IP Mode, follow the instructions below:

1. Navigate to **Network Settings**.
2. Select **IP**.
3. Select from **IP Byte 1 to 4**.
4. Change the value of each IP Byte, **000–255**.

Subnet mask

In Manual IP Mode, the Subnet Mask must be assigned using the product menu. To set the Subnet Mask in Manual IP mode, do the following:

1. Navigate to **Network Settings**.
2. Select **SMK**.
3. Select from **SubMask 1 to 4**.
4. Change the value of each SubMask, **000–255**.

Tilt Orientation

To set whether the tilt orientation is normal or inverted, follow the instructions below:

1. Go to the **Setup** main level.
2. Select **Tilt Reverse**.
3. Select **NO** (normal tilt) or **YES** (reversed tilt).

Zoom Orientation

To set whether the zoom goes from wide to narrow or from narrow to wide, do the following:

1. Go to the **Setup** main level.
2. Select **Zoom Reverse**.
3. Select **NO** (wide to narrow) or **YES** (narrow to wide).

Display Orientation

To set which way the display faces, follow the instructions below:

1. Go to the **Setup** main level.
2. Select **Screen Reverse**.
3. Select **NO** (display is normal), **YES** (display is inverted), or **AUTO** (the display automatically detects which way the product is facing and orients itself accordingly).

Tilt Angle Range

To set the range of motion the tilt is permitted, do the following:

1. Go to the **Setup** main level.
2. Select **Tilt Angle**.
3. Select **200** (200° tilt), **180** (180° tilt), or **60** (60° tilt).

Blackout on Tilt Movement

To set whether the product will black out during tilt movement, follow the instructions below:

1. Go to the **Setup** main level.
2. Select **BL. O. T Move**.
3. Select **NO** (do not black out) or **YES** (black out during movement).

Backlight Timer

To set the amount of time after inactivity before the display backlight turns off, do the following:

1. Go to the **Setup** main level.
2. Select **Backlight Timer**.
3. Select **30S** (after 30 seconds of inactivity), **1M** (after 1 minute of inactivity), **5M** (after 5 minutes of inactivity), or **ON** (does not turn off).

Loss of Data

In case of any loss of input signal, the COLORado PXL Curve 12 will respond in one of two ways: The product will either hold the last signal received, or black out all LED output.

To set how the product responds, follow the instructions below:

1. Go to the **Setup** main level.
2. Select **Loss of Data**.
3. Select **Hold** (hold last signal received) or **Close** (black out all LED output).

Color-Mixing Mode

The COLORado PXL Curve 12 has a mode that emulates CMY (cyan, magenta, and yellow) color mixing. In this mode, the dimming is reversed (000 = 100%, 255 = 0%), and the red, green, and blue channels control cyan, magenta, and yellow, respectively.

To set the color-mixing mode, do the following:

1. Go to the **Setup** main level.
2. Select **C Mixing Mode**.
3. Select **RGBW** (additive mode: 0–100%) or **CMY** (subtractive mode: 100–0%).

Dimmer Curve

To set the dimmer curve, follow the instructions below:

1. Go to the **Setup** main level.
2. Select **Dimmer Curve**.
3. Select **Linear** (increase in light intensity is linear), **Square** (light intensity control is finer at low levels and coarser at high levels), **ISqua** (light intensity control is coarser at low levels and finer at high levels), or **SCurve** (light intensity is finer at low and high levels, and coarser at medium levels).

Dimmer Speed

To set the dimmer speed, do the following:

1. Go to the **Setup** main level.
2. Select **Dimmer Speed**.
3. Select **Smooth** or **Fast**.

Operation

LED Frequency

This option changes the Pulse Width Modulation (PWM) frequency of the LEDs on the COLORado PXL Curve 12.

1. Go to the **Setup** main level.
2. Go to the **PWM Option** main level.
3. Select PWM frequency (**600Hz, 1200Hz, 2000Hz, 4000Hz, 6000Hz, or 25Khz**).

Cell Order

To set how the light is activated, follow the instructions below:

1. Go to the **Setup** main level.
2. Select **Cell Order**.
3. Choose **1–12** (light activates from left to right) or **12–1** (light activates from right to left).

Calibrated White

When activated, calibrated white sets the light output temperature to 7500K. To set the calibrated white setting, do the following:

1. Go to the **Setup** main level.
2. Select **Calibrated White**.
3. Select **ON** (activates calibrated white), **OFF** (deactivates calibrated white), or **Custom** (adjust light output temperature using the White Balance setting).

White Balance

To set the maximum values of a given LED color to create a white light output, follow the instructions below:

1. Go to the **Setup** main level.
2. Select **White Balance**.
3. Select the color value to be changed (**Red, Green, Blue, or White**).
4. Set the color value, **000–255**.

Preset Functions

The COLORado PXL Curve 12 has three presets. Every time a settings is changed in the fixture, the current preset is updated to include that change. To load a preset, do the following:

1. Go to the **Setup** main level.
2. Select **Preset Select**.
3. Select the preset to load (**Preset A, Preset B, or Preset C**).
4. The selected preset will load, and all changes made to the settings will save to that preset.

Presets can be uploaded to other COLORado PXL Curve 12 using a DMX connection. To do so:

1. Connect the DMX Out of the product that has the desired presets to the DMX In of the product to be updated.
2. Power on both products.
3. On the product with the desired presets, go to the **Setup** main level.
4. Select **Preset Sync**.
5. Select **NO** (do not upload settings) or **YES** (upload settings).

Reset Functions

To reset the tilt, zoom, or all functions as if from startup, follow the instructions below:

1. Go to the **Setup** main level.
2. Select **Reset Function**.
3. Select the function to be reset (**Tilt, Zoom, or All**).
4. Select **NO** (do not reset) or **YES** (reset).

Factory Reset

To restore the COLORado PXL Curve 12 to factory default settings, do the following:

1. Go to the **Setup** main level.
2. Select **Factory Settings**.
3. Select **NO** (do not reset) or **YES** (reset to factory default settings).

System Information

All the information about the current status of the COLORado PXL Curve 12 is available through the product's **Information** menu. To view this information, follow the instructions below:

1. Go to the **Information** main level.
2. Choose the desired information from the following:
 - **Firmware Version** – displays the current firmware version
 - **Running Mode** – displays the current running mode
 - **Address** – displays the current starting address
 - **Temperature** – displays the current product temperature in °C
 - **Fixture Time** – displays the number of hours the fixture has been powered on
 - **LED Hours** – displays the total hours the LED has been powered on
 - **ArtNet Info** – displays the current IP address, Subnet Mask, and MAC address
 - **Device UID** – displays the product UID
 - **Fan Information** – displays the speed of head fans, defrost fans, and base fans

Offset Mode

The offset mode provides fine adjustments for the home position of all the moving parts in the optical path and the tilt movements. This ensures that the moving parts do not show any border or reduce the light output when in their home position.

1. Starting from the Main Level screen, press and hold **<MENU>** until the passcode screen appears.
2. Enter the passcode **2323**.
3. This direct the user to the Zero Adjust menu screen.

Tilt

To adjust the starting point of the tilt motor, do the following:

1. Select **TILT**.
2. Increase or decrease the starting value, from **000** to **255**.

Zoom

To adjust the starting point of the zoom motor, follow the instructions below:

1. Select **ZOOM1** or **ZOOM2**.
2. Increase or decrease the starting value, from **000** to **255**.

MAC Address

To adjust the fourth, fifth, and sixth digit of the MAC address, do the following:

1. Select **MAC4**, **MAC5**, or **MAC6**.
2. Increase or decrease the starting value, from **000** to **255**.

Operation

Web Server

The COLORado PXL Curve 12 Web Server can be accessed by any computer on the same network as the product. It allows network access to system information and settings (e.g., control setup, manual testing of all functions, firmware updates, and the ability to change the Web Server password).

1. Connect the product to power, and set the Control Protocol to **Art-Net** and the [IP mode](#) to **Static**.
2. Connect the product to a Windows® computer with a network cable.
3. On the computer, set the IP address of the new network to have the same first 3 digits as the IP address of the product (see [IP byte](#)).
4. Enter the IP address of the product into the URL bar of a Web browser on the computer.
5. Enter both the User Name and Password as **admin** to log in.

Information

The Information page on the Web Server displays the current settings and the system information of the COLORado PXL Curve 12.

Setup

The Setup page on the Web Server provides options for control, similar to the **Setup** menu on the product. Click **Save Settings** to send the new configuration to the product.

Manual Test

The Manual Test page on the Web Server allows all output functions of the product to be controlled through the browser. To set all functions back to default, click **Reset**.

Firmware Update

The Upgrade page on the Web Server allows the product to be updated with the latest firmware. Go to <https://www.chauvetprofessional.com/products/colorado-pxl-curve-12> to download firmware updates.

Security

The Security page on the Web Server gives the option to change the password to the connected product's Web server. Enter the old password (**admin**, by default) and the new password twice, then click **Save Settings** to change the password.

5. Maintenance

Product Maintenance

To maintain optimum performance and minimize wear, clean this product frequently. Usage and environment are contributing factors in determining the cleaning frequency.

Clean this product at least twice a month. Dust build-up reduces light output performance and can cause overheating. This can lead to reduced light source life and increased mechanical wear.

To clean the product:

1. Unplug the product from power.
2. Wait until the product is at room temperature.
3. Use a vacuum (or dry compressed air) and a soft brush to remove dust collected on the external vents.
4. Clean all transparent surfaces with a mild soap solution, ammonia-free glass cleaner, or isopropyl alcohol.
5. Apply the solution directly to a soft, lint free cotton cloth or a lens cleaning tissue.
6. Softly drag any dirt or grime to the outside of the transparent surface.
7. Gently polish the transparent surfaces until they are free of haze and lint.



Always dry the transparent surfaces carefully after cleaning them.



Avoid spinning the cooling fans using compressed air to prevent damage.

Torque Measurements

To maintain the IP rating when reassembling the product, use the given torque measurements for each of the following screws and bolts:

Fixture Parts	Torque Rating (Kgf.cm)	Torque Rating (lgb.in)
Feet	9.2	7.9
Omega bracket holders	12.2	10.6
Bottom allen key (not feet)	9.2	7.9
Screws for safety cable point	15.3	13.3
Screws around power and data points	3.6	3.1
Connector plate allen key screws	16.3	14.1
Fuse	7.1	6.2
Front display bump-out allen screws	15.3	13.3
Allen screws around display	9.2	7.9
Allen screws holding yokes to base	15.3	13.3
Allen screws for alignment pin holder	12.2	10.6
Allen screws around lens covers	12.2	10.6

Vacuum Test Measurements

Use the IP Tester from Chauvet Professional to ensure the product has been reassembled correctly by following the information below:

Parameters	Values
Method	Positive
Test pressure	2.18 kPa
Test duration	60 seconds
PASS state leak pressure	<0.02 kPa

Technical Specifications

6. Technical Specifications

Dimensions and Weight

Length	Width	Height	Weight
39.49 in (1,003 mm)	6.65 in (169 mm)	12.76 in (324 mm)	76 lb (34.5 kg)

Note: Dimensions in inches rounded to the nearest decimal digit.

Power

Power Supply Type	Range	Voltage Selection
Switching (internal)	100 to 240 VAC, 50/60 Hz	Auto-ranging

Parameter	100 V, 60 Hz	120 V, 60 Hz	208 V, 60 Hz	230 V, 50 Hz	240 V, 50 Hz
Consumption	800 W	790 W	772 W	768 W	767 W
Operating current	8.13 A	6.70 A	3.80 A	3.44 A	3.30 A
Power-linking current (products)	F 12 A, 250 V	F 12 A, 250 V	F 12 A, 250 V (3 products)	F 12 A, 250 V (3 products)	F 12 A, 250 V (3 products)

Power I/O	U.S./Worldwide	UK/Europe
Power input connector	Seetronic Powerkon IP65	Seetronic Powerkon IP65
Power output connector	Seetronic Powerkon IP65	Seetronic Powerkon IP65
Power cord plug	Edison (U.S.)	Local plug

Light Source

Type	Color	Quantity	Power	Current	Lifespan
LED	Quad-color RGBW	12	45 W	2.96 A	50,000 hours

Photometrics

Parameter	Spot	Flood	50% Zoom
Beam angle	5.7°	26.8°	13.8°
Field angle	9.0°	33.9°	19.2°
Cutoff angle	9.9°	36.3°	21.6°
Illuminance @ 5m	38,727 lux	1,120 lux	

Thermal

Maximum External Temperature	Cooling System
113 °F (45 °C)	Fan-assisted convection

DMX

I/O Connector	Channel Range
5-pin IP-rated XLR, Seetronic etherCON IP65	Single Mode: 20, 53, 101, 155, 169, or 179 channels Dual Mode Movement: 8, 41, 53, or 59 channels Dual Mode Pixels: 36, 48, or 96 channels

Ordering

Product Name	Item Name	Item Code	UPC Number
COLORado PXL Curve 12	COLORADOPXLCURVE12	08012099	781462224479



UL 1573
CSA C22.2 No. 166
E113093



Contact Us

General Information	Technical Support
Chauvet World Headquarters	
Address: 3360 Davie Rd., Suite 509 Davie, FL 33314 Voice: (954) 577-4455 Fax: (954) 929-5560 Toll Free: (800) 762-1084	Voice: (844) 393-7575 Fax: (954) 756-8015 Email: chauvetcs@chauvetlighting.com Website: www.chauvetprofessional.com
Chauvet U.K.	
Address: Pod 1 EVO Park Little Oak Drive, Sherwood Park Nottinghamshire, NG15 0EB UK Voice: +44 (0) 1773 511115 Fax: +44 (0) 1773 511110	Email: UKtech@chauvetlighting.eu Website: www.chauvetprofessional.eu
Chauvet Benelux	
Address: Stokstraat 18 9770 Kruishoutem Belgium Voice: +32 9 388 93 97	Email: BNLtech@chauvetlighting.eu Website: www.chauvetprofessional.eu
Chauvet France	
Address: 3, Rue Ampère 91380 Chilly-Mazarin France Voice: +33 1 78 85 33 59	Email: FRtech@chauvetlighting.fr Website: www.chauvetprofessional.eu
Chauvet Germany	
Address: Bruno-Bürgel-Str. 11 28759 Bremen Germany Voice: +49 421 62 60 20	Email: DEtech@chauvetlighting.de Website: www.chauvetprofessional.eu
Chauvet Mexico	
Address: Av. de las Partidas 34 - 3B (Entrance by Calle 2) Zona Industrial Lerma Lerma, Edo. de México, CP 52000 Voice: +52 (728) 690-2010	Email: servicio@chauvet.com.mx Website: www.chauvetprofessional.mx

Warranty & Returns

For warranty terms and conditions and return information, please visit our website.

For customers in the United States and Mexico: www.chauvetlighting.com/warranty-registration.

For customers in the United Kingdom, Republic of Ireland, Belgium, the Netherlands, Luxembourg, France, and Germany: www.chauvetlighting.eu/warranty-registration.