

OVATION

R

Ê

V

E

F - 3

User Manual



Model ID: OVATIONREVEF3


CHAUVET
PROFESSIONAL

Edition Notes

The Ovation Rêve F-3 User Manual includes a description, safety precautions, installation, programming, operation and maintenance instructions for the Ovation Rêve F-3 as of the release date of this edition.

Trademarks

Chauvet, Chauvet Professional, the Chauvet logo, Ovation, and Ovation Rêve are registered trademarks or trademarks of Chauvet & Sons, LLC (d/b/a Chauvet and Chauvet Lighting) in the United States and other countries. Other company and product names and logos referred to herein may be trademarks of their respective companies.

Copyright Notice

The works of authorship contained in this manual, including, but not limited to, all designs, text, and images are owned by Chauvet.

© Copyright 2024 Chauvet & Sons, LLC. All rights reserved.

Electronically published by Chauvet in the United States of America.

Manual Use

Chauvet authorizes its customers to download and print this manual for professional information purposes only. Chauvet expressly prohibits the usage, copy, storage, distribution, modification, or printing of this manual or its content for any other purpose without written consent from Chauvet.

Document Printing

For best results, print this document in color, on letter size paper (8.5 x 11 in), double-sided. If using A4 paper (210 x 297 mm), configure the printer to scale the content accordingly.

Intended Audience

Any person installing, operating, and/or maintaining this product should completely read through the guide that shipped with the product, as well as this manual, before installing, operating, or maintaining this product.

Disclaimer

Chauvet believes that the information contained in this manual is accurate in all respects. However, Chauvet assumes no responsibility and specifically disclaims any and all liability to any party for any loss, damage or disruption caused by any errors or omissions in this document, whether such errors or omissions result from negligence, accident or any other cause. Chauvet reserves the right to revise the content of this document without any obligation to notify any person or company of such revision, however, Chauvet has no obligation to make, and does not commit to make, any such revisions.

Document Revision

Go to www.chauvetprofessional.com for the latest version.

Revision	Date	Description
2	05/2024	Updated the "What's Included" section.

TABLE OF CONTENTS

- 1. Before You Begin** 1
 - What Is Included 1
 - Claims 1
 - Text Conventions 1
 - Symbols 1
 - FCC Statement of Compliance 3
 - Expected LED Lifespan..... 3
- 2. Introduction** 4
 - Description 4
 - Features 4
 - Product Overview 5
 - Product Dimensions 6
- 3. Setup** 7
 - AC Power 7
 - AC Plug 7
 - Fuse Replacement 7
 - Power Linking..... 7
 - DMX Linking..... 8
 - DMX Personalities..... 8
 - Remote Device Management..... 8
 - Master/Slave Connectivity..... 8
 - USB Software Update 9
 - Force Upload..... 9
 - Mounting 10
 - Orientation..... 10
 - Rigging 10
 - Procedure..... 10
 - Adjustable Yoke 10
- 4. Operation** 11
 - Control Panel Description 11
 - Programming..... 11
 - Passcode 11
 - Menu Map 11
 - DMX Configuration..... 15
 - Control Personalities 15
 - Starting Address..... 15
 - Virtual Color Wheel 16
 - Virtual Color Wheel Chart 16
 - Color Temperature Chart 17
 - Control Channel Assignments and Values..... 18
 - 18 Ch / 14 Ch2 / 14 Ch1 / 12 Ch / 8Ch / 6Ch / 5 Ch 18
 - Standalone Configuration..... 20
 - Static Mode 20
 - Virtual Color Wheel 20
 - Color Temperature 20
 - Manual Color Mixer..... 20

Color X-Fade Speed	20
Standalone Dimmer	20
Auto Show	20
Zoom	20
Settings Configuration	21
DMX Zoom Disable	21
Reset Zoom with Power	21
Red Shift	21
Master/Slave	21
Dimmer Curve	21
Dimmer Speed Mode	21
Color Calibration	21
Pulse Width Modulation	21
Fan Mode	22
Display Backlight Timer.....	22
Key Lock	22
Information	22
Factory Reset.....	22
5. Maintenance	23
Product Maintenance	23
6. Technical Specifications	24
Contact Us	25
Warranty & Returns.....	25

Before You Begin

1. Before You Begin

What Is Included

- Ovation Rêve F-3
- Seetronic Powerkon IP65 power cable
- Gel frame
- (1) 140mm omega bracket with mounting hardware
- Quick Reference Guide

Claims

Carefully unpack the product immediately and check the container to make sure all the parts are in the package and are in good condition.




If the box or the contents (the product and included accessories) appear damaged from shipping, or show signs of mishandling, notify the carrier immediately, not Chauvet. Failure to report damage to the carrier immediately may invalidate a claim. In addition, keep the box and contents for inspection.

For other issues, such as missing components or parts, damage not related to shipping, or concealed damage, file a claim with Chauvet within 7 days of delivery.

Text Conventions

Convention	Meaning
1–512	A range of values
50/60	A set of values of which only one can be chosen
Settings	A menu option not to be modified
<ENTER>	A key to be pressed on the product's control panel

Symbols

Symbol	Meaning
	Critical installation, configuration, or operation information. Not following these instructions may make the product not work, cause damage to the product, or cause harm to the operator.
	Important installation or configuration information. The product may not function correctly if this information is not used.
	Useful information.



The term “DMX” used throughout this manual refers to the USITT DMX512-A digital data transmission protocol.

Safety Notes

These Safety Notes include important information about installation, use, and maintenance of the Ovation Rêve F-3 .



This product contains no user-serviceable parts. Any reference to servicing in this User Manual will only apply to properly trained, certified technicians. Do not open the housing or attempt any repairs.



All applicable local codes and regulations apply to proper installation of this product.

- The luminaire is intended for professional use only.
- The luminaire should be positioned so that prolonged staring into the luminaire at a distance closer than 1.64 ft (0.5 m) is not expected.
- If the external flexible cable or cord of this luminaire is damaged, it shall be replaced by a special cord or cord exclusively available from the manufacturer or its service agent.
- The light source contained in this luminaire shall only be replaced by the manufacturer or its service agent or a similar qualified person.
- **CAUTION:**
 - This product's housing may be hot when operating. Mount this product in a location with adequate ventilation, at least 20 in (50 cm) from adjacent surfaces.
 - When transferring the product from extreme temperature environments, (e.g., cold truck to warm humid ballroom) condensation may form on the internal electronics of the product. To avoid causing a failure, allow the product to fully acclimate to the surrounding environment before connecting it to power.
 - Flashing light is known to trigger epileptic seizures. User must comply with local laws regarding notification of strobe use.
- **ALWAYS:**
 - Disconnect from power before cleaning the product or replacing the fuse.
 - Replace the fuse with the same type and rating.
 - Use a safety cable when mounting this product overhead.
 - Connect this product to a grounded and protected circuit.
- **DO NOT:**
 - Open this product. It contains no user-serviceable parts.
 - Look at the light source when the product is on.
 - Leave any flammable material within 50 cm of this product while operating or connected to power.
 - Connect this product to a dimmer or rheostat.
 - Operate this product if the housing, lenses, or cables appear damaged.
 - Operate this product outdoors or in any location where dust, excessive heat, water, or humidity may affect it (adhere to standards for the published IP rating).
- **ONLY** use the hanging/mounting bracket to carry this product.
- The maximum ambient temperature is 113 °F (45 °C). Do not operate this product at higher temperatures.
- The minimum ambient temperature is -4°F (-20°C). Do not operate the product at lower temperatures.
- To eliminate unnecessary wear and improve its lifespan, during periods of non-use completely disconnect the product from power via breaker or by unplugging it.
- In the event of a serious operating problem, stop using immediately.



If a Chauvet product requires service, contact Chauvet Technical Support.

Before You Begin

FCC Statement of Compliance

This device complies with Part 15 Part B of the FCC rules. Operation is subject to the following two conditions:

1. This device may not cause harmful interference, and
2. This device must accept any interference received, including interference that may cause undesired operation.

This equipment has been tested and found to comply with the limits for a Class B digital device, pursuant to Part 15 of the FCC Rules. These limits are designed to provide reasonable protection against harmful interference in a residential installation. This equipment generates uses and can radiate radio frequency energy and, if not installed and used in accordance with the instructions, may cause harmful interference to radio communications. However, there is no guarantee that interference will not occur in a particular installation. If this equipment does cause harmful interference to radio or television reception, which can be determined by turning the equipment off and on, the user is encouraged to try to correct the interference by one or more of the following measures:

- Reorient or relocate the receiving antenna.
- Increase the separation between the equipment and receiver.
- Connect the equipment into an outlet on a circuit different from that to which the receiver is connected.
- Consult the dealer or an experienced radio/TV technician for help.

Any changes or modifications not expressly approved by the party responsible for compliance could void the user's authority to operate the equipment.

Expected LED Lifespan

Over time, use and heat will gradually reduce LED brightness. Clustered LEDs produce more heat than single LEDs, contributing to shorter lifespans if always used at full intensity. The average LED lifespan is 40,000 to 50,000 hours. To extend LED lifespan, maintain proper ventilation around the product, and limit the overall intensity.

2. Introduction

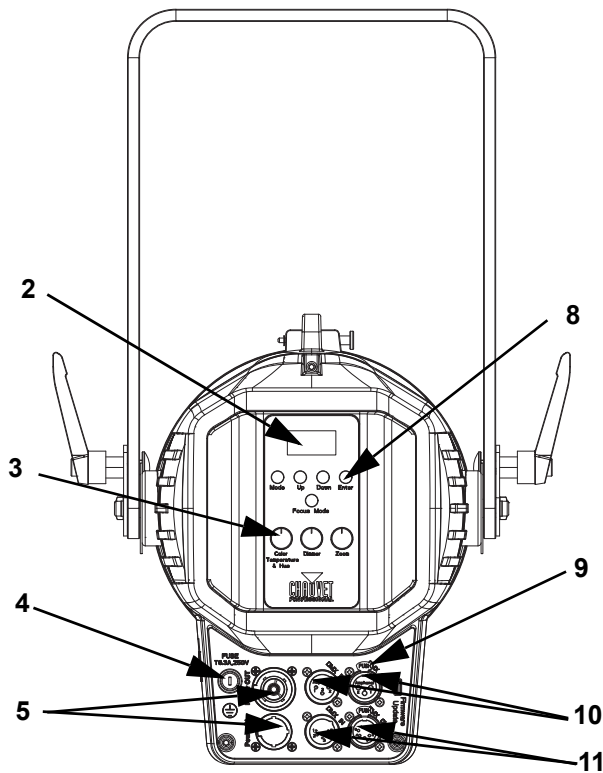
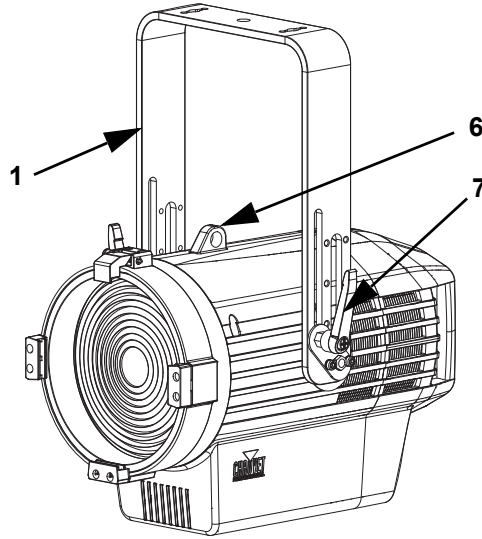
Description

The Ovation Rêve F-3 is a motorized fresnel that incorporates a full spectrum (RGBAM) Reveal light engine. On-board control dials and quiet operation satisfy applications and market demand for soft controllable washes. The product's innovative adjustable yoke allows mounting in low clearance areas. The extended zoom adjusts from 60 degrees to 10 degrees. The Ovation Rêve F-3 is a versatile lighting instrument at home, in theaters, houses of worship, on TV, and film sets. Smooth dimming, +/- green adjustment, linear CCT, and adjustable Pulse Width Modulation ensure flawless performance live and on camera.

Features

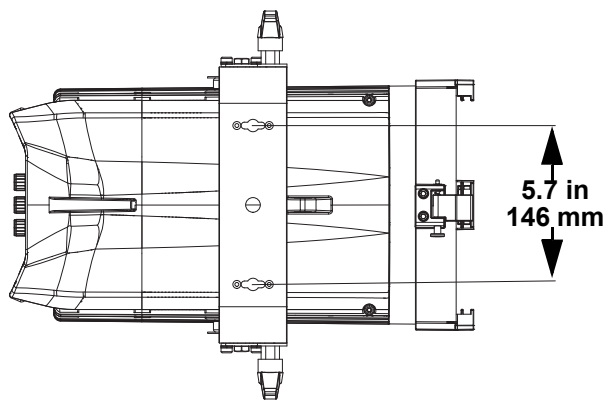
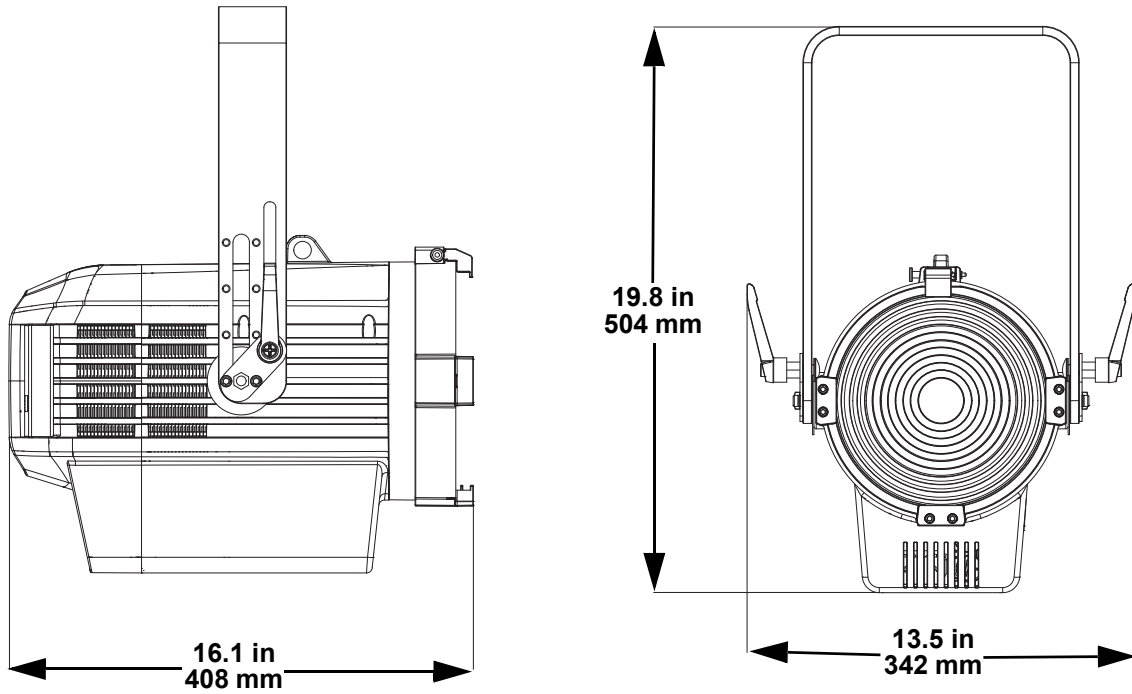
- Full-spectrum LED Fresnel lighting fixture for theatre, film and production
- Addition on-board control for multiple parameters via 3 control dials
- Linear color temperature presets from 2800 K to 8000 K with high CRI and CQS
- Virtual color wheel with color matched to popular gel colors
- +/- Green adjustment and emulated red-shift via DMX or on-board control
- RDM (Remote Device Management) for added flexibility
- Adjustable PWM (Pulse Width Modulation) to avoid flickering on camera
- Virtually silent operation for use in studio, film and theatre applications
- Ultra-smooth 16-bit dimming curves and speeds to complement any lighting scheme.
- Innovative adjustable yoke for mounting in low clearance areas
- USB Port for Software updates

Product Overview



#	Name
1	Handle/mounting bracket
2	LCD display
3	Manual control knobs
4	Fuse holder
5	Power in/out
6	Safety cable loop
7	Bracket adjustment knob (x2)
8	Menu buttons
9	USB C port
10	3-pin DMX in/out
11	5-pin DMX in/out

Product Dimensions



3. Setup

AC Power

The Ovation Rêve F-3 has an auto-ranging power supply and it can work with an input voltage range of 100 to 240 VAC, 50/60 Hz.

To determine the product's power requirements (circuit breaker, power outlet, and wiring), use the current value listed on the label affixed to the product's back panel, or refer to the product's specifications chart. The listed current rating indicates the product's average current draw under normal conditions.



- **Always connect the product to a protected circuit (a circuit breaker or fuse). Make sure the product has an appropriate electrical ground to avoid the risk of electrocution or fire.**
- **To eliminate unnecessary wear and improve its lifespan, during periods of non-use completely disconnect the product from power via breaker or by unplugging it.**



Never connect the product to a rheostat (variable resistor) or dimmer circuit, even if the rheostat or dimmer channel serves only as a 0 to 100% switch.

AC Plug

The Ovation Rêve F-3 comes with a power input cable terminated with a Seetronic Powerkon A connector on one end and an Edison plug on the other end (U.S. market). If the cable has no plug or it is necessary to change the plug, use the table below to wire a plug.

Connection	Wire (U.S.)	Wire (Europe)	Screw Color
AC Live	Black	Brown	Yellow or Brass
AC Neutral	White	Blue	Silver
AC Ground	Green/Yellow	Green/Yellow	Green

Fuse Replacement

1. Disconnect this product from the power outlet.
2. Using a flat-head screwdriver, unscrew the fuse holder cap from the housing.
3. Remove the blown fuse and replace with another of the same type and rating (T/F 6.3 A, 250 V).
4. Screw the fuse holder cap back in place and reconnect power.

Power Linking

It is possible to power link Ovation Rêve F-3 products. See the table below for the current draw at each voltage and frequency:

	100 V, 60 Hz	120 V, 60 Hz	208 V, 60 Hz	230 V, 50 Hz	240 V, 50 Hz
Current Draw	5.43 A	4.39 A	2.52 A	2.22 A	2.13 A

Never exceed 12 A on a single circuit. Power-linking cables can be purchased separately.

DMX Linking

The Ovation Rêve F-3 can be linked to a DMX controller using a 3-pin or 5-pin DMX connection. If using other DMX-compatible products with this product, it's possible to control each individually with a single DMX controller.

DMX Personalities

The Ovation Rêve F-3 uses a 3-pin or 5-pin DMX data connection for the **1 Ch**, **5 Ch**, **6 Ch**, **8 Ch**, **12 Ch**, **14 Ch1**, **14 Ch2**, and **18 Ch** DMX personalities.

- Refer to the [Operation](#) chapter to learn how to configure the Ovation Rêve F-3 to work in these personalities.
- The [Control Channel Assignments and Values](#) section provides detailed information regarding the DMX personalities.



For information about DMX standards, Master/Slave connectivity, or the DMX cables needed to link this product to a DMX controller, download the DMX Primer from the Chauvet website: www.chauvetprofessional.com.

Remote Device Management

Remote Device Management (RDM) is a standard for allowing DMX-enabled devices to communicate bi-directionally along existing DMX cabling. Check the DMX controller's User Manual or with the manufacturer as not all DMX controllers have this capability. The Ovation Rêve F-3 supports RDM protocol that allows feedback to make changes to menu map options.

Master/Slave Connectivity

The Master/Slave mode allows an Ovation Rêve F-3 (the master) to control one or more Ovation Rêve F-3 products (the slaves) without a DMX controller. Once Ovation Rêve F-3 becomes the master when running an auto or custom program, or in Static mode.

Each slave's control panel must be configured to operate in Slave mode. During Master/Slave operation, the slaves will operate in unison with the master.



DO NOT connect a DMX controller to products operating in Master/Slave mode. The DMX controller signals may interfere with the signals from the master.



- The [Operation](#) section of this manual provides detailed instructions on how to configure the master and slaves.
- For more information about DMX standards or the DMX cables needed to link this product to a DMX controller, download the DMX primer from the Chauvet website: www.chauvetprofessional.com.

USB Software Update

The Ovation Rêve F-3 allows for software update through USB using the built-in USB port. To update the software using a USB flash drive, do the following:

1. Power on the product and plug the flash drive into the USB port.
2. Once the flash drive has been detected, the message “**Upgrade Firmware**” will be displayed. Press <ENTER>. If a different message appears on the display, search for the updated software in the menu (**Update Firmware**) and select from **Only This Fixture**, **Multiple Fixture**, **Other Fixture Type**, or **Fixture to Fixture**. A list of the updated software files will be displayed.
3. Select the file that needs to be uploaded. The message “**Are you sure?**” will be displayed. Press <Enter>.



If the selected file is incorrect, the upgrade will fail, and the display will go back to the main interface. Repeat steps 1–3 using the correct file.

4. If the selected file is correct, the update will start. DO NOT turn off power or disconnect the USB during the process. The USB update can take several minutes to complete.
5. When the update is complete, the product will automatically reboot.
6. Go to the **Information** level of the product main menu and confirm the firmware revision.
7. When the boot-up process is finished, restart the product manually.



- Place the .chl file in the root directory of the USB drive.
- The product's USB port supports up to 32GB capacity and only works with FAT32 file format.



Turning off the power, removing the USB, or not setting the fixture to the correct protocol during the update can cause partial or total firmware failure in the targeted fixture(s). Please refer to [Force Upload](#) section to fix firmware failure issues.

Force Upload

A Force Upload is done whenever a software update fails due to accidental removal of the USB flash drive, incorrect control protocol, or loss of power during a regular software update process.



- **A Force Upload process requires a target fixture (the fixture that needs a Force Upload and a main fixture (the fixture that controls the upload process).**
- **The Force Upload process can only be done one target fixture at a time.**

To do a Force Upload, follow the instructions below:

1. Link the target fixture to the main fixture via a DMX 5-pin connection. Ensure that the target fixture is turned off.
2. Turn on the main fixture and set its protocol to **DMX512**.
3. Plug the flash drive into the USB-C port of the main fixture.
4. Go to Upgrade Firmware on the menu map.
5. Choose between **Multiple Fixture** and **Other Fixture Type**. Press <ENTER>.
 - **Multiple Fixture:** Both the target fixture and main fixture are from the same product line (e.g., 2 Ovation Rêve F-3 fixtures).
 - **Other Fixture Type:** The target fixture and main fixture are from different product series (e.g., a Ovation Rêve F-3 as the target fixture and a Maverick Silens 2 Profile as the main fixture).
6. Select the file that needs to be uploaded. The message “**Are you sure?**” will appear on the screen. Press <ENTER>. Turn on the target fixture within 1–2 seconds of pressing <ENTER>. The display on the target fixture should remain off.
 - a. The main fixture will show the update progress (0–100%).
 - b. The target fixture's display will turn on, and a notification “<UPDATE>” will appear on the screen.



The timing of when the target fixture's display will turn on varies from fixture to fixture.

7. DO NOT turn off power or remove the USB flash drive. Once the software is done uploading, the target fixture will automatically reboot.
8. Go to the target fixture's main menu and confirm that the firmware version has been updated.
9. Reboot the target fixture.

Mounting

Before mounting the product, read and follow the safety recommendations indicated in the [Safety Notes](#).

Orientation

Always mount this product in a safe position, making sure there is adequate room for ventilation, configuration, and maintenance.

Rigging

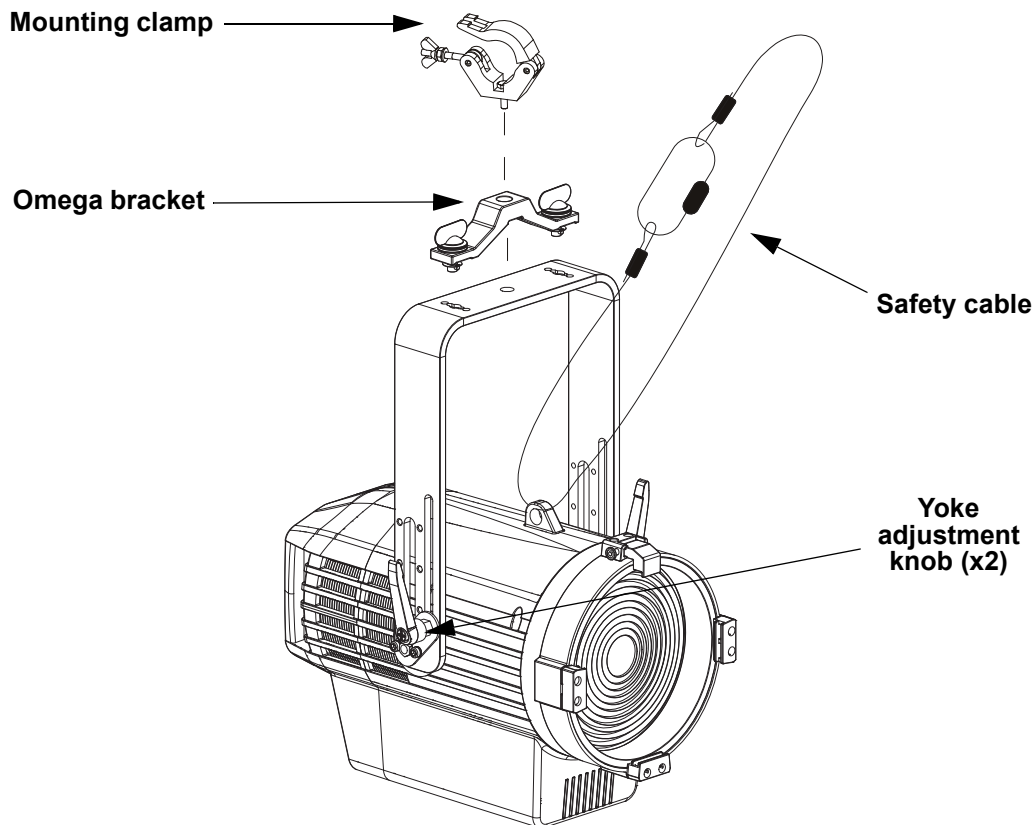
Chauvet recommends using the following general guidelines when mounting this product.

- Before deciding on a location for the product, make sure there is easy access to the product for maintenance and programming.
- Make sure that the structure and attachment points can support the weight before hanging the product (see [Technical Specifications](#)).
- When mounting the product overhead, always use a safety cable. Mount the product securely to a rigging point, whether an elevated platform or a truss.
- When rigging the product onto a truss, use a mounting clamp of appropriate weight capacity.

Procedure

The Ovation Rêve F-3 comes with an omega bracket. The user can directly attach a mounting clamp (sold separately) to that bracket. Make sure the clamp is capable of supporting the weight of this product. For the Chauvet Professional line of mounting clamps, go to <http://www.trusst.com/products>.

Mounting Diagram



Adjustable Yoke

The Ovation Rêve F-3 comes with an adjustable yoke for mounting in low-clearance areas. To modify the height of the yoke, do the following:

1. Loosen the yoke adjustment knobs.
2. On each side of the product remove the 2 bolts attaching the plate to the yoke.
3. Adjust the position of the yoke to one of the 4 mounting points.

Put the bolts back in place, and tighten them and the yoke adjustment knobs.

4. Operation

Control Panel Description

Button	Function
<Menu>	Exits from the current menu or function
<Enter>	Enables the currently displayed menu or sets the selected value into the function
<Up>	Navigates upwards through the menu list or increases the numeric value when in a function
<Down>	Navigates downwards through the menu list or decreases the value when in a function
<Color Temperature & Hue>	Push twice, then turn to select the color temperature
<Dimmer>	Push twice, then turn to increase or decrease the dimmer
<Zoom>	Push twice, then turn to increase or decrease the zoom
<Focus Mode>	Sets fixture into Focus Mode, which takes the unit to full power for fast focusing without changing any other fixture settings. Press again to release from Focus Mode.

Programming

Refer to the menu map to understand the menu options. The menu map shows the main menu and a variable number of programming levels for each option.

- To access the main menu, press **<Menu>**.
- To navigate to the desired option in the main menu, press **<Menu>** repeatedly until the option is indicated, or use **<Up>** or **<Down>** to navigate directly.
- Press **<Enter>** to select the indicated option.
- Use **<Up>** or **<Down>** to navigate within a programming level until the desired option is indicated.
- To return to the main menu, press **<Menu>** repeatedly until it shows on the display.
- Press and hold **<Menu>** to return to the home screen.

Passcode

When prompted, enter the following passcode: **<UP>**, **<DOWN>**, **<UP>**, **<DOWN>**, **<ENTER>**. It is not possible to change this passcode.

Menu Map

Refer to the Ovation Rêve F-3 product page on www.chauvetprofessional.com for the latest menu map.

Main Level	Programming Levels		Description
DMX Address	<001–512*>		Selects DMX address (*highest channel restricted to personality chosen)
DMX Channel	1Ch	Virtual Color Wheel	1-channel: dimmer
		Color Temperature	
		Manual Color Mixer	
		5Ch	5-channel: dimmer, virtual color wheel, color temperature, hue, zoom
		6Ch	5-channel: RGBAM, zoom
		8Ch	8-channel: dimmer, RGBAM, strobe, zoom
		12Ch	12-channel: dimmer, 16-bit dimmer, RGBAM, strobe, virtual color wheel, color temperature, hue, zoom
		14Ch1	14-channel: dimmer, RGBAM, strobe, virtual color wheel, color temperature, hue, auto program, auto speed, control, zoom
		14Ch2	14-channel: 16-bit dimmer, 16-bit RGBAM, strobe, zoom
		18Ch	18-channel: 16-bit dimmer, 16-bit RGBAM, strobe, virtual color wheel, Color temperature, hue, control, zoom
	HSV	4-channel: hue, saturation, value, and zoom	

Main Level	Programming Levels		Description
Static	Virtual Color Wheel	C3050–Md Yellow	Dimmer 0–255 Virtual Color Wheel simulates the output of each gel color. Refer to the Virtual Color Wheel Chart for specific values.
		C3040–Lt Yellow	
		C3240–Amb Yellow	
		C2340–VLt Amber	
		C2040–Lt Amber	
		C2050–Md Amber	
		C2060–Dk Amber	
		C1050–Lt Red	
		C1080–Md Red	
		C1020–NC Pink	
		C1030–Md Pink	
		C1630–Dk Pink	
		C1250–Md Red Amber	
		C1060–Dk Red Amber	
		C1650–Magenta	
		C6170–Dk Magenta	
		C6020–Lt Lavender	
		C5030–Lt Blue	
		C5020–VLt Blue	
		C5430–Lt Blue 2	
		C5070–Blue	
		C5050–Md Blue	
		C5060–Dk Blue	
		C5690–Indigo	
		C5080–VDk Blue	
		C5081–VDk Blue 2	
		C4370–Yel Green	
		C4070–Green	
		C4550–Turquoise	
		C4560–Aqua	
C4570–Blue Green			

Main Level	Programming Levels		Description	
Static (cont.)	Color Temp.	2800K	Dimmer 0–255 Hue -25–25	Preset white color temperatures. Emulates a tungsten lamp at the specified color temperature. Refer to the Color Temperature Chart for specific values.
		2900K		
		3000K		
		3100K		
		3200K		
		3300K		
		3400K		
		3500K		
		3600K		
		3700K		
		3800K		
		3900K		
		4000K		
		4100K		
		4200K		
		4300K		
		4400K		
		4500K		
		4600K		
		4700K		
		4800K		
		4900K		
		5000K		
		5100K		
		5200K		
		5300K		
		5400K		
5500K				
5600K				
5700K				
6000K				
6500K				
7000K				
7500K				
8000K				
	Manual Color Mixer	Red	0–255	Combines red, green, blue, amber, and mint to make a custom color (0–100%)
		Green		
		Blue		
		Amber		
		Mint		
	Color X-Fade Speed	Off		Disables fade transition between colors
		X-Fade Speed 1		
		X-Fade Speed 2		
		X-Fade Speed 3		
		X-Fade Speed 4		
Auto Show	Auto 1–5	Speed 1–100		Selects automatic programs and auto program speed

Main Level	Programming Levels		Description	
Zoom	0-255		Sets the zoom level	
	Dmx Zoom Disable	Off	Enable zoom in DMX mode	
		On	Disable zoom in DMX mode	
	Reset Zoom w/ Power	No	Sets whether zoom will reset at power on	
Yes				
Red Shift	On		Enables or disables red shift	
	Off			
Master/ Slave	Master		Standalone mode	
	Slave		Slave mode	
Dimmer Curve	SCurve		Sets the dimmer curve	
	Linear			
	Square			
	Inverse Square			
Dimmer Mode	Off		Instantaneous dimmer	
	Dimmer 1–3		Dimming mode, from fast (Dimmer 1) to slow (Dimmer 3)	
Color Calibration	Off		Color calibration off	
	User Calib	Red	125–255	Sets red LED maximum value
		Green		Sets green LED maximum value
		Blue		Sets blue LED maximum value
		Amber		Sets amber LED maximum value
		Mint		Sets mint LED maximum value
Factory Calibration		Color calibration set by factory		
LED Frequency	750Hz		Sets the Pulse Width Modulation frequency	
	1200Hz			
	2000Hz			
	4000Hz			
	6000Hz			
	25KHz			
Fan Mode	Auto		Sets the fan to auto mode	
	On		Sets the fan to always on	
	Off		Sets the fan to always off	
	Silent		Sets the fan to silent	
Back Light	10S		Turns off display backlight after 10 seconds	
	30S		Turns off display backlight after 30 seconds	
	2Min		Turns off display backlight after 2 minutes	
	Always On		Display backlight remains on	
Key Lock	On		Enables the key lock	
	Off		Disables the key lock	

Main Level	Programming Levels		Description
Information	Fixture Hours	<_ _ _ _ H>	Shows total hours the product has been powered on
	LED Hours	<_ _ _ _ H>	Shows total hours the LEDs have been powered on
	DISP1	<V _ . _ . _>	Shows current display version
	DISP2	<V _ . _ . _>	Shows the current driver version
	UID	21A40 _ _ _ _ _ _ _ _ _ _	Shows product UID
Upgrade Firmware	Only This Fixture	_ _ _ _ _ .CHL	Selects an update file for this product, or shows "No such file!"
		...	
	Multiple Fixture	_ _ _ _ _ .CHL	Selects an update file for this and connected Ovation Rêve F-3 products, or shows "No such file!"
		...	
Other Fixture Type	_ _ _ _ _ .CHL	Selects an update file for other connected products, or shows "No such file!"	
	Fixture to Fixture	Are you sure?	Uploads current firmware to connected products
Factory Reset	No		Resets settings to factory default settings
	Yes		



- The "Other Fixture Type" option under Upgrade Firmware can only be selected for connected products compatible with the Upload 03 (the first 2 digits of the item code must be 03).
- The "Fixture to Fixture" option under Upgrade Firmware can only be selected for connected Ovation Rêve F-3 products.

DMX Configuration

Use control configurations to operate the product with a DMX controller.

Control Personalities

To set the control personality:

1. Go to the **DMX Channel** main level.
2. Select desired personality, from **1 Ch, 5 Ch, 6 Ch, 8 Ch, 12 Ch, 14 Ch1, 14 Ch2, 18 Ch** or **HSV**.



- See the [Starting Address](#) section for the highest selectable starting address for each personality.
- Make sure that the starting addresses on the various products do not overlap due to the new personality setting.

Starting Address

Each product will respond to a unique starting address from the controller. All products with the same starting address will respond in unison. To set the starting address:

1. Go to the **DMX Address** main level.
2. Select the starting address (**001–512**).

The highest available starting address for each DMX mode is as follows:

Personality	Highest Address	Products per Universe
1 Ch	512	512
5 Ch	508	102
6 Ch	507	85
8 Ch	505	64
12 Ch	501	42
14 Ch1, 14 Ch2	499	36
18 Ch	495	28
HSV	509	128

Virtual Color Wheel

The Ovation Rêve F-3 includes a feature called the Virtual Color Wheel (VCW). This feature is available as a standalone control mode for manual use and as a control channel in select DMX personalities. More than 30 premixed colors, custom blended by Chauvet engineers, are available to call up for easier programming.

The DMX values used to mix these colors are provided below. The overall intensity of the Ovation fixture can be adjusted to more closely replicate familiar industry-standard colors. A chart is available at www.chauvetprofessional.com to compare Chauvet's premixed colors with popular gel colors. This chart is for comparison purposes only and is not an assertion that Chauvet's premixed colors match any of the gel colors listed.

Virtual Color Wheel Chart

DMX Value	Display Readout	Red	Green	Blue	Amber	Mint
000 ⇔ 005	--	--	--	--	--	--
006 ⇔ 013	C3050–Md Yellow	255	225	000	255	037
014 ⇔ 021	C3040–Lt Yellow	255	177	003	255	037
022 ⇔ 028	C3240–Amb Yellow	255	220	000	255	000
029 ⇔ 035	C2340–VLt Amber	195	000	015	255	057
036 ⇔ 043	C2040–Lt Amber	255	000	011	255	061
044 ⇔ 051	C2050–Md Amber	255	053	000	255	017
052 ⇔ 059	C2060–Dk Amber	255	008	000	255	017
060 ⇔ 067	C1050–Lt Red	255	000	003	014	000
068 ⇔ 075	C1080–Md Red	255	000	001	000	000
076 ⇔ 083	C1020–NC Pink	255	075	062	255	073
084 ⇔ 091	C1030–Md Pink	255	075	057	255	041
092 ⇔ 099	C1630–Dk Pink	218	077	057	255	061
100 ⇔ 107	C1250–Md Red Amber	255	000	009	168	000
108 ⇔ 115	C1060–Dk Red Amber	255	005	009	036	000
116 ⇔ 121	C1650–Magenta	255	003	062	255	012
122 ⇔ 130	C6170–Dk Magenta	255	000	055	000	000
131 ⇔ 138	C6020–Lt Lavender	255	220	093	255	044
139 ⇔ 146	C5030–Lt Blue	000	255	159	112	078
147 ⇔ 154	C5020–VLt Blue	000	215	145	196	065
155 ⇔ 162	C5430–Lt Blue2	000	215	132	52	092
163 ⇔ 170	C5070–Blue	000	195	188	000	019
171 ⇔ 178	C5050–Md Blue	000	163	190	000	068
179 ⇔ 186	C5060–Dk Blue	000	128	193	000	038
187 ⇔ 194	C5690–Indigo	053	009	255	000	000
195 ⇔ 202	C5080–VDk Blue	007	084	116	000	000
203 ⇔ 210	C5081–VDk Blue2	011	082	139	000	000
211 ⇔ 218	C4370–Yel Green	000	255	002	025	000
219 ⇔ 226	C4070–Green	000	255	009	000	175
227 ⇔ 234	C4550–Turquoise	000	255	087	096	255
235 ⇔ 242	C4560–Aqua	000	255	098	044	255
243 ⇔ 250	C4570–Blue Green	000	255	026	008	000
251 ⇔ 255	--	--	--	--	--	--



The colors above are simulated renditions of the color output produced compared with other similar incandescent products. Chauvet makes no guarantee of the color output accuracy.

Operation

Color Temperature Chart

DMX Value	Temperature	R	G	B	A	M	DMX Value	Temperature	R	G	B	A	M
000 ⇔ 005	No function						125	4500K	167	216	145	255	207
006	2800K	255	007	032	255	207	126 ⇔ 131	4501–4599K					
007 ⇔ 012	2801–2899K						132	4600K	162	223	151	255	207
013	2900K	237	012	037	255	207	133 ⇔ 138	4601–4699K					
014 ⇔ 019	2901–2999K						139	4700K	161	235	158	255	207
020	3000K	231	029	044	255	207	140 ⇔ 145	4701–4799K					
021 ⇔ 026	3001–3099K						146	4800K	158	242	165	255	207
027	3100K	224	048	050	255	207	147 ⇔ 152	4801–4899K					
028 ⇔ 033	3101–3199K						153	4900K	155	250	171	255	207
034	3200K	219	064	057	255	207	154 ⇔ 159	4901–4999K					
035 ⇔ 040	3201–3299K						160	5000K	152	255	177	255	207
041	3300K	214	080	063	255	207	161 ⇔ 166	5001–5099K					
042 ⇔ 047	3301–3399K						167	5100K	145	255	183	255	207
048	3400K	209	095	070	255	207	168 ⇔ 173	5101–5199K					
049 ⇔ 054	3401–3499K						174	5200K	137	255	187	255	207
055	3500K	204	107	077	255	207	175 ⇔ 180	5201–5299K					
056 ⇔ 061	3501–3599K						181	5300K	132	255	191	255	207
062	3600K	199	121	083	255	207	182 ⇔ 187	5301–5399K					
063 ⇔ 068	3601–3699K						188	5400K	126	255	197	255	207
069	3700K	193	131	090	255	207	189 ⇔ 194	5401–5499K					
070 ⇔ 075	3701–3799K						195	5500K	122	255	202	255	207
076	3800K	188	141	097	255	207	196 ⇔ 201	5501–5599K					
077 ⇔ 082	3801–3899K						202	5600K	117	255	205	252	207
083	3900K	180	150	104	255	207	203 ⇔ 208	5601–5699K					
084 ⇔ 089	3901–3999K						209	5700K	116	255	209	249	207
090	4000K	175	160	111	255	207	210 ⇔ 215	5701–5999					
091 ⇔ 096	4001–4099K						216	6000K	106	255	221	245	207
097	4100K	175	171	118	255	207	217 ⇔ 222	6001–6499K					
098 ⇔ 103	4101–4199K						223	6500K	98	255	238	231	207
104	4200K	174	186	125	255	207	224 ⇔ 229	6501–6999K					
105 ⇔ 110	4201–4299K						230	7000K	94	255	253	218	207
111	4300K	174	199	132	255	207	231 ⇔ 236	7001–7499K					
112 ⇔ 117	4301–4399K						237	7500K	81	255	255	205	193
118	4400K	170	209	139	255	207	238 ⇔ 243	7501–7999K					
119 ⇔ 124	4401–4499K						244 ⇔ 255	8000K	77	255	255	188	181



The color temperatures above are simulated renditions of the color output produced compared with a tungsten lamp at the specified color temperature. Chauvet makes no guarantee of the color output accuracy.

Control Channel Assignments and Values

18 Ch / 14 Ch2 / 14 Ch1 / 12 Ch / 8Ch / 6Ch / 5 Ch

5	6	8	12	14-1	14-2	18	Function	Value	Percent/Setting
1	-	1	1	1	1	1	Dimmer	000 ⇔ 255	0–100%
-	-	-	2	-	2	2	Dimmer fine	000 ⇔ 255	0–100%
-	1	2	3	2	3	3	Red	000 ⇔ 255	0–100%
-	-	-	-	-	4	4	Red fine	000 ⇔ 255	0–100%
-	2	3	4	3	5	5	Green	000 ⇔ 255	0–100%
-	-	-	-	-	6	6	Green fine	000 ⇔ 255	0–100%
-	3	4	5	4	7	7	Blue	000 ⇔ 255	0–100%
-	-	-	-	-	8	8	Blue fine	000 ⇔ 255	0–100%
-	4	5	6	5	9	9	Amber	000 ⇔ 255	0–100%
-	-	-	-	-	10	10	Amber fine	000 ⇔ 255	0–100%
-	5	6	7	6	11	11	Mint	000 ⇔ 255	0–100%
-	-	-	-	-	12	12	Mint fine	000 ⇔ 255	0–100%
-	-	7	8	7	13	13	Strobe	000 ⇔ 010 011 ⇔ 255	No function Strobe, slow to fast
2	-	-	9	8	-	14	Virtual color wheel	000 ⇔ 255	See Virtual Color Wheel Chart
3	-	-	10	9	-	15	Color temperature	000 ⇔ 255	See Color Temperature Chart
4	-	-	11	10	-	16	Hue	000 001 ⇔ 255	0 -25–25
-	-	-	-	11	-	-	Auto programs	000 ⇔ 010 011 ⇔ 060 061 ⇔ 110 111 ⇔ 160 161 ⇔ 210 211 ⇔ 255	No function Auto program 1 Auto program 2 Auto program 3 Auto program 4 Auto program 5
-	-	-	-	12	-	-	Auto speed	000 ⇔ 255	Auto speed, slow to fast

Operation

5	6	8	12	14-1	14-2	18	Function	Value	Percent/Setting
								000 ⇔ 007	No function
								008 ⇔ 015	Dimmer reset
								016 ⇔ 023	Red shift on
								024 ⇔ 031	Red shift off
								032 ⇔ 039	S-curve dimmer
								040 ⇔ 047	Linear dimmer
								048 ⇔ 055	Square dimmer curve
								056 ⇔ 063	Inverse square dimmer curve
								064 ⇔ 071	Dimmer speed mode: OFF
								072 ⇔ 079	Dimmer speed 1 (fastest)
								080 ⇔ 087	Dimmer speed 2
								088 ⇔ 095	Dimmer speed 3 (slowest)
								096 ⇔ 103	Fan auto
								104 ⇔ 111	Fan on
								112 ⇔ 119	Fan off
								120 ⇔ 127	Fan silent
-	-	-	-	13	-	17	Control (hold for 3 seconds)	128 ⇔ 135	X-Fade speed: off
								136 ⇔ 143	X-Fade speed: 1
								144 ⇔ 151	X-Fade speed: 2
								152 ⇔ 159	X-Fade speed: 3
								160 ⇔ 167	X-Fade speed: 4
								168 ⇔ 172	PWM Frequency 750 Hz (Hold 3s)
								173 ⇔ 177	PWM Frequency 1200 Hz (Hold 3s)
								178 ⇔ 182	PWM Frequency 2000 Hz (Hold 3s)
								183 ⇔ 187	PWM Frequency 4000 Hz (Hold 3s)
								188 ⇔ 192	PWM Frequency 6000 Hz (Hold 3s)
								193 ⇔ 197	PWM Frequency 20000 Hz (Hold 3s)
								198 ⇔ 200	Future use (no function)
								201 ⇔ 220	Motor reset
								221 ⇔ 225	DMX Zoom Disable: Off (Hold 3s)
								226 ⇔ 230	DMX Zoom Disable: On (Hold 3s)
								231 ⇔ 255	No function
5	6	8	12	14	14	18	Zoom	000 ⇔ 255	Wide to narrow

HSV

Channel	Function	Value	Percent/Setting
1	Hue	000 ⇔ 255	0–100%
2	Saturation	000 ⇔ 255	0–100%
3	Value	000 ⇔ 255	0–100%
4	Zoom	000 ⇔ 255	Wide to narrow

1Ch

Channel	Function	Value	Percent/Setting
1	Dimmer	000 ⇔ 255	0–100% (color set through display menu)

Standalone Configuration

Static Mode

The static mode options under **Virtual Color Wheel** also include preset color temperatures and a manual color mixer.

Virtual Color Wheel

To select from the Virtual Color Wheel:

1. Go to the **Static** main level.
2. Select the **Virtual Color Wheel** option.
3. Select the desired virtual gel color (see the [Virtual Color Wheel Chart](#)).
4. Set the **Dimmer** value (**0–255**).

Color Temperature

To select a preset color temperature:

1. Go to the **Static** main level.
2. Select the **Color Temperature** option.
3. Select the desired color temperature (see the [Color Temperature Chart](#)).
4. Set the **Dimmer** value (**0–255**).
5. If desired, set the **Hue** value (**-25–25**).

To set the zoom level via the control knobs:

1. Press the **<Color Temperature & Hue>** knob twice.
2. Turn **<Color Temperature & Hue>** knob to select the desired color temperature.
3. Press the **<Color Temperature & Hue>** knob once.
4. Turn the **<Color Temperature & Hue>** knob to set the hue value (**-025–025**).

Manual Color Mixer

To manually mix a custom static color:

1. Go to the **Static** main level.
2. Select the **Manual Color Mixer** option.
3. Select the color to edit (**Red, Green, Blue, Amber, or Mint**).
4. Set the value for the selected color (**0–255**).
5. Repeat steps 3 and 4 until product outputs as desired.

Color X-Fade Speed

The Color X-Fade Speed option creates a fade transition between colors when using colors in the Virtual Color Wheel or the Color Temperature chart.

1. Go to the **Static** main level.
2. Select **Color X-Fade Speed**.
3. Select **Fade Speed 1–4** (from fast to slow) or **Off** (to turn off the fade transition between colors).

Standalone Dimmer

To set the dimmer value via the control knobs:

1. Press the **<Dimmer>** knob twice.
2. Turn the **<Dimmer>** knob to set the **Dimmer** value (**0–100%**).
3. Press the **<Dimmer>** knob twice.

Auto Show

To select an automatic program:

1. Go to the **Auto Show** main level.
2. Select the desired auto program (**Auto 1–5**).
3. Set the **Speed** value (**1–100**).

Zoom

To set the zoom settings on the Ovation Rêve F-3 :

1. Go to the **Zoom** main level.
2. Set the **Zoom** value (**0–255**).

To set the zoom level via the control knobs:

1. Press the **<Zoom>** knob twice.
2. Turn the **<Zoom>** knob to set the **Zoom** level (**0–100%**).
3. Press the **<Zoom>** knob twice.

Operation

Settings Configuration

DMX Zoom Disable

To enable or disable zoom control via DMX:

1. Go to the **Zoom** main level.
2. Select the **DMX Zoom Disable** option.
3. Select from **Off** (enable) or **On** (disable).

Reset Zoom with Power

To set whether the zoom motor will reset when powering on the product:

1. Go to the **Zoom** main level.
2. Select the **Reset Zoom w/ Power** option.
3. Select from **No** or **Yes**.

Red Shift

The Red Shift function imitates the dimming of a halogen lamp. To toggle Red Shift:

1. Go to the **Red Shift** main level.
2. Select **On** or **Off**.

Master/Slave

To set the Ovation Rêve F-3 product to master or slave mode:

1. Go to the **Master/Slave** main level.
2. Select from **Master** (sends control signal) or **Slave** (receives control signal).



- **Configure all the slave products before connecting the master to the daisy chain.**
- **Never connect a DMX controller to a DMX string configured for Master/Slave operation because the controller may interfere with the signals from the master.**
- **Do not connect more than 31 slaves to the master.**

Dimmer Curve

To set the dimmer curve:

1. Go to the **Dimmer Curve** main level.
2. Select the desired option (**SCurve**, **Linear**, **Square**, or **Inverse Square**).

Dimmer Speed Mode

This setting determines how fast the output of the Ovation Rêve F-3 changes when the output value is modified. It provides four different options to simulate the dimming curve of an incandescent lighting product. To select a specific dimmer profile, do the following:

1. Go to the **Dimmer Mode** main level.
2. Select a dimmer curve (**Off**, **Dimmer 1**, **Dimmer 2**, or **Dimmer 3**).

Color Calibration

This setting determines the maximum output values for each color, which affects the appearance of the total color output.

1. Go to the **Color Calibration** main level.
2. Select **Off** (LED values will be linear/uncalibrated), **User Calibration**, or **Factory Calibration**.
3. For **User Calib** mode, select the color value to edit (**Red**, **Green**, **Blue**, **Amber**, or **Mint**).
4. Set the maximum value for the selected color (**125–255**).
5. Repeat steps 3 and 4 until the product outputs as desired.

Pulse Width Modulation

To set the Pulse Width Modulation (PWM) frequency of the LEDs on the Ovation Rêve F-3 :

1. Go to the **LED Frequency** main level.
2. Select the PWM Frequency (**750Hz**, **1200Hz**, **2000Hz**, **4000Hz**, **6000Hz**, or **25Khz**).

Fan Mode

To set the fan speed mode:

1. Go to the **Fan Mode** main level.
2. Select **Auto** (fan speed will increase or decrease based on product temperature), **Off** (fan will stay off. Product output will decrease based on product temperature), **Silent** (fan will maintain a constant silent speed), or **On** (fan speed will always be at maximum).



When operating in Fan Mode: Off and Fan Mode: Silent, the fixture will become hotter to the touch than when using other fan modes. Use proper protective equipment to prevent burns. Keep a safe distance from flammable objects.

Display Backlight Timer

To set the amount of time the backlight on the Ovation Rêve F-3 's display stays on after the last button is pressed on the control panel:

1. Go to the **Back Light** main level.
2. Select **10S** (10 seconds), **30S** (30 seconds), **2Min** (2 minutes), or **Always On** (remains on).

Key Lock

To enable or disable the key lock:

1. Go to the **Key Lock** main level.
2. Select **On** or **Off**.

Information

To view essential product information:

1. Go to the **Information** main level.
2. Press **up** or **down** to view **Fixture Hours**, **LED Hours**, **DISP1**, **DISP2**, **Version**, or **UID**.

Factory Reset

To reset the product to factory settings:

1. Go to the **Factory Reset** main level.
2. Select **No** (to cancel) or **Yes** (to reset the product configuration).

5. Maintenance

Product Maintenance

Dust build-up reduces light output performance and can cause overheating. This can lead to reduction of the light source's life and/or mechanical wear. To maintain optimum performance and minimize wear, clean each lighting product at least twice a month. However, be aware that usage and environmental conditions could be contributing factors to increase the cleaning frequency.

To clean the product, follow the instructions below:

1. Unplug the product from power.
2. Wait until the product is at room temperature.
3. Use a vacuum (or dry compressed air) and a soft brush to remove dust collected on the external surface/vents.
4. Clean all transparent surfaces with a mild soap solution, ammonia-free glass cleaner, or isopropyl alcohol.
5. Apply the solution directly to a soft, lint free cotton cloth or a lens cleaning tissue.
6. Softly drag any dirt or grime to the outside of the transparent surface.
7. Gently polish the transparent surfaces until they are free of haze and lint.



Always dry the transparent surfaces carefully after cleaning them.

6. Technical Specifications

Dimensions and Weight

Length	Width	Height	Weight
15 in (381 mm)	13.5 in (342 mm)	15.7 in (399 mm)	26.2 lb (11.9 kg)

Note: Dimensions in inches are rounded.

Power

Power Supply Type	Range	Voltage Selection
Switching (internal)	100 to 240 VAC, 50/60 Hz	Auto-ranging

Parameter	100 V, 60 Hz	120 V, 60 Hz	208 V, 60 Hz	230 V, 50 Hz	240 V, 50 Hz
Consumption	530 W	528 W	517 W	513 W	512 W
Operating Current	5.43 A	4.39 A	2.52 A	2.22 A	2.13 A
Fuse	T/F 6.3 A, 250 V T/F 6.3 A, 250 V T/F 6.3 A, 250 V T/F 6.3 A, 250 V T/F 6.3 A, 250 V				

Power I/O	U.S./Worldwide	UK/Europe
Power Input Connector	Seetronic Powerkon IP65	Seetronic Powerkon IP65
Power Output Connector	Seetronic Powerkon IP65	Seetronic Powerkon IP65
Power Cable plug	Edison	Local plug

Light Source

Type	Color	Quantity	Power	Current	Lifespan
LED	Red	22	5.8 to 8 W	1.82 A	50,000 hours
	Green	14			
	Blue	16			
	Royal blue	6			
	Amber	28			
	Mint	40			

Photometrics

Color Temperature (Range)	Color Temperature (Full)	CRI	Beam Angle	Field Angle	Cutoff Angle	Zoom Range
2800-8000 K	5249 K	96	10.9° to 66.5°	19.3° to 88.5°	26.2° to 97.3°	10.9° to 97.3°

Lens	Lumens	Illuminance @ 5 m
Narrow	6179 lm	5375 lux
Wide	14302 lm	539 lux
50%	10330 lm	1858 lux

Thermal

Maximum External Temperature	Cooling System
113 °F (45 °C)	Fan-assisted Convection

Control

DMX I/O Connector	Channel Range
3-pin XLR, 5-pin XLR	1, 5, 6, 8, 12, 14ch1, 14ch2, or 18

Ordering

Product Name	Item Name	Item Code	UPC Number
Ovation Rêve F-3	OVATIONREVEF-3	03031952	781462223007



Contact Us

General Information	Technical Support
Chauvet World Headquarters	
Address: 3360 Davie Rd., Suite 509 Davie, FL 33314 Voice: (954) 577-4455 Fax: (954) 929-5560 Toll Free: (800) 762-1084	Voice: (844) 393-7575 Fax: (954) 756-8015 Email: chauvetcs@chauvetlighting.com Website: www.chauvetprofessional.com
Chauvet U.K.	
Address: Pod 1 EVO Park Little Oak Drive, Sherwood Park Nottinghamshire, NG15 0EB UK Voice: +44 (0) 1773 511115 Fax: +44 (0) 1773 511110	Email: UKtech@chauvetlighting.eu Website: www.chauvetprofessional.eu
Chauvet Benelux	
Address: Stokstraat 18 9770 Kruishoutem Belgium Voice: +32 9 388 93 97	Email: BNLtech@chauvetlighting.eu Website: www.chauvetprofessional.eu
Chauvet France	
Address: 3, Rue Ampère 91380 Chilly-Mazarin France Voice: +33 1 78 85 33 59	Email: FRtech@chauvetlighting.fr Website: www.chauvetprofessional.eu
Chauvet Germany	
Address: Bruno-Bürgel-Str. 11 28759 Bremen Germany Voice: +49 421 62 60 20	Email: DEtech@chauvetlighting.de Website: www.chauvetprofessional.eu
Chauvet Mexico	
Address: Av. de las Partidas 34 - 3B (Entrance by Calle 2) Zona Industrial Lerma Lerma, Edo. de México, CP 52000 Voice: +52 (728) 690-2010	Email: servicio@chauvet.com.mx Website: www.chauvetprofessional.mx

Warranty & Returns

For warranty terms and conditions and return information, please visit our website.

For customers in the United States and Mexico: www.chauvetlighting.com/warranty-registration.

For customers in the United Kingdom, Republic of Ireland, Belgium, the Netherlands, Luxembourg, France, and Germany: www.chauvetlighting.eu/warranty-registration.