

OVATION

R Ê V E P-3 IP

User Manual



Model ID: OVATIONREVEP3IP


CHAUVET
PROFESSIONAL

Edition Notes

The Ovation Rêve P-3 IP User Manual includes a description, safety precautions, installation, programming, operation and maintenance instructions for the Ovation Rêve P-3 IP as of the release date of this edition.

Trademarks

Chauvet, Chauvet Professional, the Chauvet logo, Ovation, and Ovation Rêve are registered trademarks or trademarks of Chauvet & Sons, LLC (d/b/a Chauvet and Chauvet Lighting) in the United States and other countries. Other company and product names and logos referred to herein may be trademarks of their respective companies.

Copyright Notice

The works of authorship contained in this manual, including, but not limited to, all designs, text, and images are owned by Chauvet.

© Copyright 2024 Chauvet & Sons, LLC. All rights reserved.

Electronically published by Chauvet in the United States of America.

Manual Use

Chauvet authorizes its customers to download and print this manual for professional information purposes only. Chauvet expressly prohibits the usage, copy, storage, distribution, modification, or printing of this manual or its content for any other purpose without written consent from Chauvet.

Document Printing

For best results, print this document in color, on letter size paper (8.5 x 11 in), double-sided. If using A4 paper (210 x 297 mm), configure the printer to scale the content accordingly.

Intended Audience

Any person installing, operating, and/or maintaining this product should completely read through the guide that shipped with the product, as well as this manual, before installing, operating, or maintaining this product.

Disclaimer

Chauvet believes that the information contained in this manual is accurate in all respects. However, Chauvet assumes no responsibility and specifically disclaims any and all liability to any party for any loss, damage or disruption caused by any errors or omissions in this document, whether such errors or omissions result from negligence, accident or any other cause. Chauvet reserves the right to revise the content of this document without any obligation to notify any person or company of such revision, however, Chauvet has no obligation to make, and does not commit to make, any such revisions.

Document Revision

Go to www.chauvetprofessional.com for the latest version.

Revision	Date	Description
4	1/2024	Updated What's included section

TABLE OF CONTENTS

1. Before You Begin	1
What Is Included	1
Claims	1
Text Conventions	1
Symbols	1
Safety Notes.....	2
FCC Statement of Compliance	3
Expected LED Lifespan.....	3
2. Introduction	4
Description	4
Features.....	4
Product Overview.....	4
Product Dimensions.....	5
3. Setup	6
AC Power.....	6
AC Plug.....	6
Fuse Replacement.....	6
Power Linking.....	6
DMX Linking.....	7
DMX Personalities.....	7
Remote Device Management.....	7
Master/Slave Connectivity.....	7
USB Software Update	7
Mounting	8
Orientation.....	8
Rigging	8
Procedure.....	8
Changing the Lens.....	9
4. Operation	10
Control Panel Description	10
Menu Map	10
DMX Configuration.....	13
Control Personalities	13
Starting Address.....	13
Virtual Color Wheel	14
Virtual Color Wheel Chart	14
Color Temperature Chart	15
Control Channel Assignments and Values.....	16
17 Ch / 13 Ch2 / 13 Ch1 / 11 Ch / 7 Ch / 5 Ch / 4 Ch.....	16
HSV.....	17
1 Ch.....	17
Standalone Configuration.....	18
Static Mode	18
Virtual Color Wheel.....	18
Color Temperature.....	18
Manual Color Mixer.....	18

Color X-Fade Speed	18
Auto Show	18
Configuration Settings	19
Red Shift	19
Master/Slave	19
Dimmer Curve	19
Dimmer Profile	19
Color Calibration	19
Pulse Width Modulation	19
Fan Mode	20
Display Backlight Timer	20
Information	20
Factory Reset	20
5. Maintenance	21
Product Maintenance	21
Torque Measurements	21
Vacuum Test Measurements	21
6. Technical Specifications	22
Contact Us	23
Warranty & Returns	23

Before You Begin

1. Before You Begin

What Is Included

- Ovation Rêve P-3 IP
- Seetronic Powerkon IP65 power cable
- Narrow, Medium, Wide, and Very Wide lenses
- Gel frame
- Omega bracket with mounting hardware
- Quick Reference Guide

Claims

Carefully unpack the product immediately and check the container to make sure all the parts are in the package and are in good condition.




If the box or the contents (the product and included accessories) appear damaged from shipping, or show signs of mishandling, notify the carrier immediately, not Chauvet. Failure to report damage to the carrier immediately may invalidate a claim. In addition, keep the box and contents for inspection.

For other issues, such as missing components or parts, damage not related to shipping, or concealed damage, file a claim with Chauvet within 7 days of delivery.

Text Conventions

Convention	Meaning
1–512	A range of values
50/60	A set of values of which only one can be chosen
Settings	A menu option not to be modified
<ENTER>	A key to be pressed on the product's control panel

Symbols

Symbol	Meaning
	Critical installation, configuration, or operation information. Not following these instructions may make the product not work, cause damage to the product, or cause harm to the operator.
	Important installation or configuration information. The product may not function correctly if this information is not used.
	Useful information.



Any reference to data or power connections in this manual assumes the use of Seetronic IP-rated cables.



The term “DMX” used throughout this manual refers to the USITT DMX512-A digital data transmission protocol.

Safety Notes

Read all the following safety notes before working with this product. These notes contain important information about the installation, usage, and maintenance of this product.



This product contains no user-serviceable parts. Any reference to servicing in this User Manual will only apply to properly trained, certified technicians. Do not open the housing or attempt any repairs.



All applicable local codes and regulations apply to proper installation of this product.

- The luminaire is intended for professional use only.
- The luminaire should be positioned so that prolonged staring into the luminaire at a distance closer than 3.3 ft (1 m) is not expected.
- If the external flexible cable or cord of this luminaire is damaged, it shall be replaced by a special cord or cord exclusively available from the manufacturer or its service agent.
- The light source contained in this luminaire shall only be replaced by the manufacturer or its service agent or a similar qualified person.
- **CAUTION:**
 - This product's housing may be hot when operating. Mount this product in a location with adequate ventilation, at least 20 in (50 cm) from adjacent surfaces.
 - When transferring the product from extreme temperature environments, (e.g., cold truck to warm humid ballroom) condensation may form on the internal electronics of the product. To avoid causing a failure, allow the product to fully acclimate to the surrounding environment before connecting it to power.
 - Flashing light is known to trigger epileptic seizures. User must comply with local laws regarding notification of strobe use.
- **ALWAYS:**
 - Disconnect from power before cleaning the product or replacing the fuse.
 - When using an IP65-rated product in an outdoor environment, use IP65- (or higher) rated power and data cable.
 - Replace and secure IP-rated protective covers to all power, data, USB, or other ports when not in use.
 - Replace the fuse with the same type and rating.
 - Use a safety cable when mounting this product overhead.
 - Connect this product to a grounded and protected circuit.
- **DO NOT:**
 - Open this product. It contains no user-serviceable parts.
 - Look at the light source when the product is on.
 - Leave any flammable material within 20 cm of this product while operating or connected to power.
 - Connect this product to a dimmer or rheostat.
 - Operate this product if the housing, lenses, or cables appear damaged.
 - Submerge this product (adhere to standards for the published IP rating). Regular outdoor operation is fine.
 - Permanently install outdoors in locations with extreme environmental conditions. This includes, but is not limited to:
 - Exposure to a marine/saline environment (within 3 miles of a saltwater body of water).
 - Locations where normal temperatures exceed the temperature ranges in this manual.
 - Locations that are prone to flooding or being buried in snow.
 - Other areas where the product will be subject to extreme radiation or caustic substances.
- **ONLY** use the handles or the hanging/mounting brackets to carry this product.
- The maximum ambient temperature is 113 °F (45 °C). Do not operate this product at higher temperatures.
- The minimum startup temperature is -4°F (-20°C). Do not start the product at lower temperatures.
- The minimum ambient temperature is -22°F (-30°C). Do not operate the product at lower temperatures.
- To eliminate unnecessary wear and improve its lifespan, during periods of non-use completely disconnect the product from power via breaker or by unplugging it.
- In the event of a serious operating problem, stop using immediately.



If a Chauvet product requires service, contact Chauvet Technical Support.

Before You Begin

FCC Statement of Compliance

This device complies with Part 15 Part B of the FCC rules. Operation is subject to the following two conditions:

1. This device may not cause harmful interference, and
2. This device must accept any interference received, including interference that may cause undesired operation.

This equipment has been tested and found to comply with the limits for a Class B digital device, pursuant to Part 15 of the FCC Rules. These limits are designed to provide reasonable protection against harmful interference in a residential installation. This equipment generates uses and can radiate radio frequency energy and, if not installed and used in accordance with the instructions, may cause harmful interference to radio communications. However, there is no guarantee that interference will not occur in a particular installation. If this equipment does cause harmful interference to radio or television reception, which can be determined by turning the equipment off and on, the user is encouraged to try to correct the interference by one or more of the following measures:

- Reorient or relocate the receiving antenna.
- Increase the separation between the equipment and receiver.
- Connect the equipment into an outlet on a circuit different from that to which the receiver is connected.
- Consult the dealer or an experienced radio/TV technician for help.

Any changes or modifications not expressly approved by the party responsible for compliance could void the user's authority to operate the equipment.

Expected LED Lifespan

Over time, use and heat will gradually reduce LED brightness. Clustered LEDs produce more heat than single LEDs, contributing to shorter lifespans if always used at full intensity. The average LED lifespan is 40,000 to 50,000 hours. To extend LED lifespan, maintain proper ventilation around the product, and limit the overall intensity.

2. Introduction

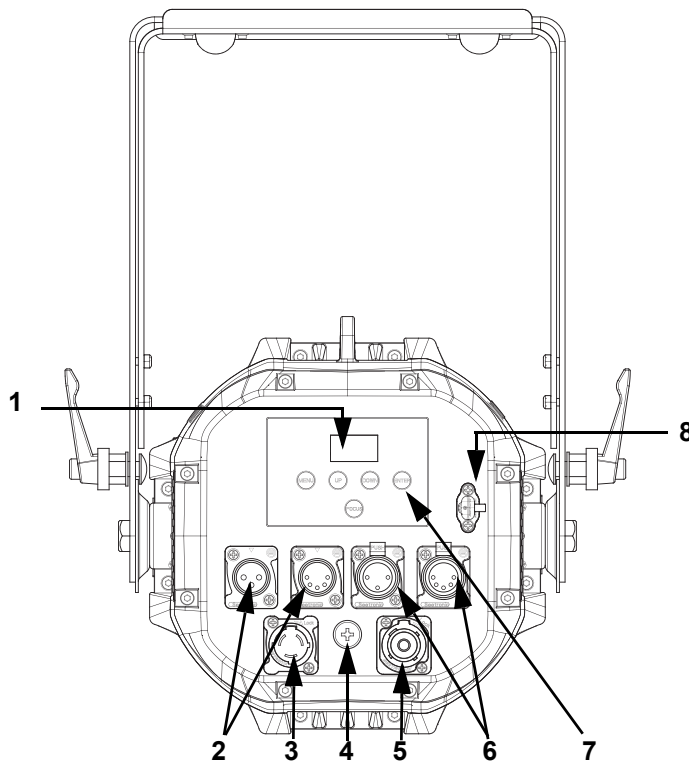
Description

The Ovation Rêve P-3 IP is the brightest IP65-rated multi-color full-spectrum-white LED PAR. An outdoor fixture with unsurpassed power and quality of light that incorporates all the advancements of our Ovation Rêve RGBAM LED source, and offers the versatility of Narrow, Medium, Wide and Very Wide lenses. Linear color temperature presets from 2800 K to 8000 K with high CRI and CQS. Adjustable PWM (Pulse Width Modulation) avoids on camera flicker. Indoors or out, a powerful instrument for theatrical, house of worship, special events, rental and production use.

Features

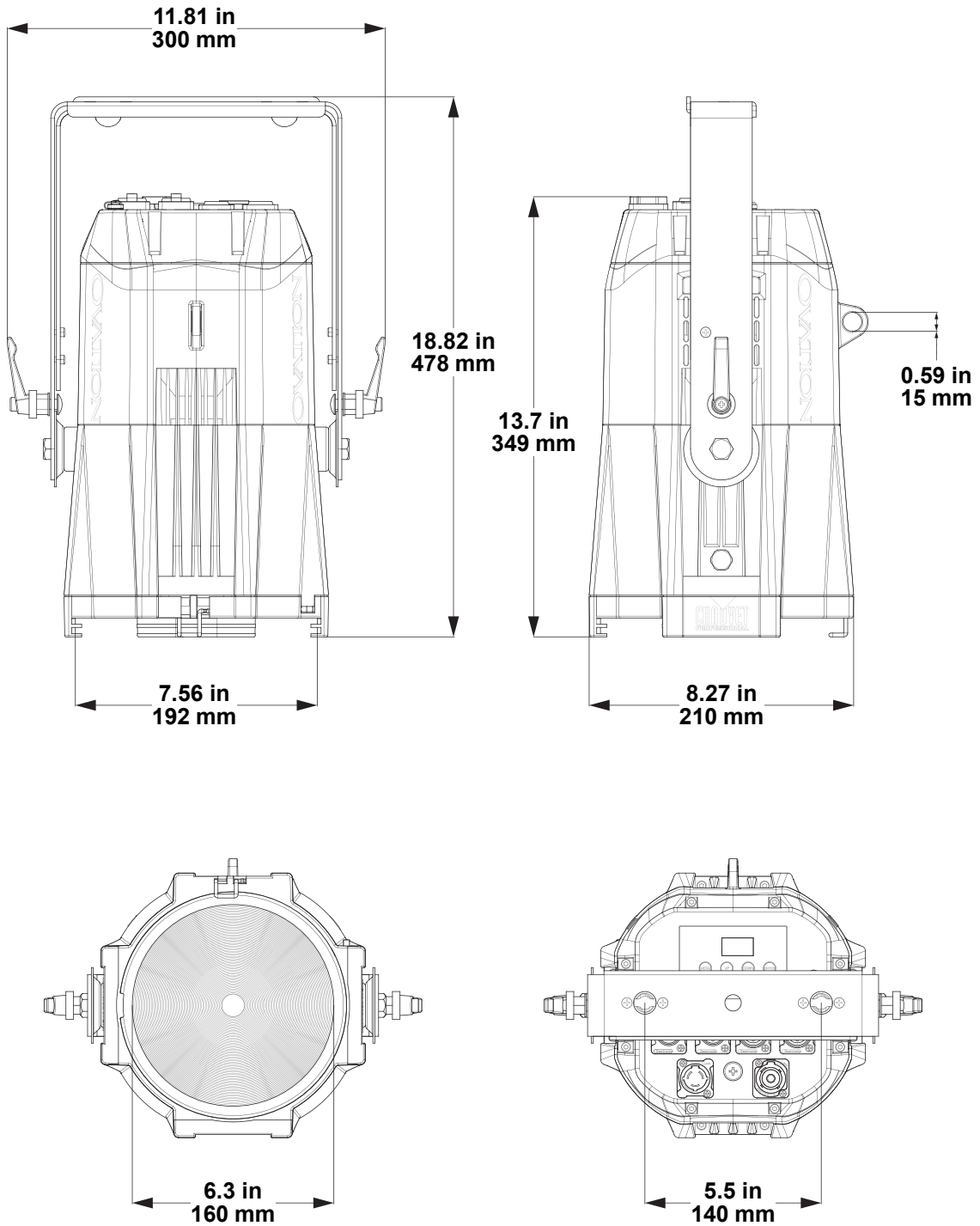
- Full-spectrum LED PAR lighting fixture for rental/production use as well as special event and theatre.
- Fully IP65 rated for seasonal use indoors or out
- Interchangeable Narrow, Medium, Wide, and Very Wide lenses.
- USB port for fixture software updates
- Linear color temperature presets from 2800 K to 8000 K with high CRI and CQS
- +/- Green adjustment and emulated red-shift via DMX or on-board control

Product Overview



#	Name
1	LCD display
2	DMX in
3	Power in
4	Fuse holder
5	Power out
6	DMX out
7	Menu buttons
8	USB C port

Product Dimensions



3. Setup

AC Power

The Ovation Rêve P-3 IP has an auto-ranging power supply and it can work with an input voltage range of 100 to 240 VAC, 50/60 Hz.

To determine the product's power requirements (circuit breaker, power outlet, and wiring), use the current value listed on the label affixed to the product's back panel, or refer to the product's specifications chart.

The listed current rating indicates the product's average current draw under normal conditions.



- **Always connect the product to a protected circuit (a circuit breaker or fuse). Make sure the product has an appropriate electrical ground to avoid the risk of electrocution or fire.**
- **To eliminate unnecessary wear and improve its lifespan, during periods of non-use completely disconnect the product from power via breaker or by unplugging it.**



Never connect the product to a rheostat (variable resistor) or dimmer circuit, even if the rheostat or dimmer channel serves only as a 0 to 100% switch.

AC Plug

The Ovation Rêve P-3 IP comes with a power input cable terminated with a Seetronic Powerkon A connector on one end and an Edison plug on the other end (U.S. market). If the cable has no plug or it is necessary to change the plug, use the table below to wire a plug.

Connection	Wire (U.S.)	Wire (Europe)	Screw Color
AC Live	Black	Brown	Yellow or Brass
AC Neutral	White	Blue	Silver
AC Ground	Green/Yellow	Green/Yellow	Green

Fuse Replacement

1. Disconnect this product from the power outlet.
2. Using a flat-head screwdriver, unscrew the fuse holder cap from the housing.
3. Remove the blown fuse and replace with another of the same type and rating (T 6.3 A, 250 V).
4. Screw the fuse holder cap back in place and reconnect power.

Power Linking

It is possible to power link Ovation Rêve P-3 IP products. See the table below for the current draw at each voltage and frequency:

	100 V, 60 Hz	120 V, 60 Hz	208 V, 60 Hz	230 V, 50 Hz	240 V, 50 Hz
Current Draw	2.78 A	2.31 A	1.38 A	1.25 A	1.22 A

Never exceed 12 A on a single circuit. Power-linking cables can be purchased separately.

DMX Linking

The Ovation Rêve P-3 IP can be linked to a DMX controller using a 3-pin or 5-pin DMX connection. If using other DMX-compatible products with this product, it's possible to control each individually with a single DMX controller.

DMX Personalities

The Ovation Rêve P-3 IP uses a 3-pin or 5-pin DMX data connection for the **1 Ch, 4 Ch, 5 Ch, 7 Ch, 11 Ch, 13 Ch1, 13 Ch2, 17 Ch**, and **HSV** DMX personalities.

- Refer to the [Operation](#) chapter to learn how to configure the Ovation Rêve P-3 IP to work in these personalities.
- The [DMX Channel Assignments and Values](#) section provides detailed information regarding the DMX personalities.



For information about DMX standards, Master/Slave connectivity, or the DMX cables needed to link this product to a DMX controller, download the DMX Primer from the Chauvet website: www.chauvetprofessional.com.

Remote Device Management

Remote Device Management (RDM) is a standard for allowing DMX-enabled devices to communicate bi-directionally along existing DMX cabling. Check the DMX controller's User Manual or with the manufacturer as not all DMX controllers have this capability. The Ovation Rêve P-3 IP supports RDM protocol that allows feedback to make changes to menu map options.

Master/Slave Connectivity

The Master/Slave mode allows an Ovation Rêve P-3 IP (the master) to control one or more Ovation Rêve P-3 IP products (the slaves) without a DMX controller. Once Ovation Rêve P-3 IP becomes the master when running an auto or custom program, or in Static mode.

Each slave's control panel must be configured to operate in Slave mode. During Master/Slave operation, the slaves will operate in unison with the master.



DO NOT connect a DMX controller to products operating in Master/Slave mode. The DMX controller signals may interfere with the signals from the master.



- The [Operation](#) section of this manual provides detailed instructions on how to configure the master and slaves.
- **For more information about DMX standards or the DMX cables needed to link this product to a DMX controller, download the DMX primer from the Chauvet website: www.chauvetprofessional.com.**

USB Software Update

The Ovation Rêve P-3 IP allows for software update through USB using the built-in USB port. To update the software using a USB flash drive, do the following:

1. Power on the product and plug the flash drive into the USB port.
2. Once the flash drive has been detected, the message "**Upgrade?**" will be displayed. Select "**YES**" and Press **<ENTER>**. A list of the updated software files will be displayed.
 - If no valid firmware file is detected in the USB, the screen will display "**No File**".
3. Select the file that needs to be uploaded.



- Be sure to select the correct file before pressing **<ENTER>**. **DO NOT** turn off the power or disconnect the USB during the process. The USB update can take several minutes to complete.
- **If the selected file is incorrect, the upgrade will fail, and the display will go back to the main interface. Repeat steps 1–3 using the correct file.**

4. When the update is complete, the product will automatically reboot.
5. Go to the **Fixture Information** level of the product main menu and confirm the firmware revision.
6. When the boot-up process is finished, restart the product manually.



- **Place the .chl file in the root directory of the USB drive.**
- **The product's USB port supports up to 32GB capacity and only works with FAT32 file format.**



Turning off the power, removing the USB, or not setting the fixture to the correct protocol during the update can cause partial or total firmware failure in the targeted fixture(s). Please refer to the Upload 01 Instructions to fix firmware failure issues.

Mounting

Before mounting the product, read and follow the safety recommendations indicated in the Safety Notes.

Orientation

Always mount this product in a safe position, making sure there is adequate room for ventilation, configuration, and maintenance.

Rigging

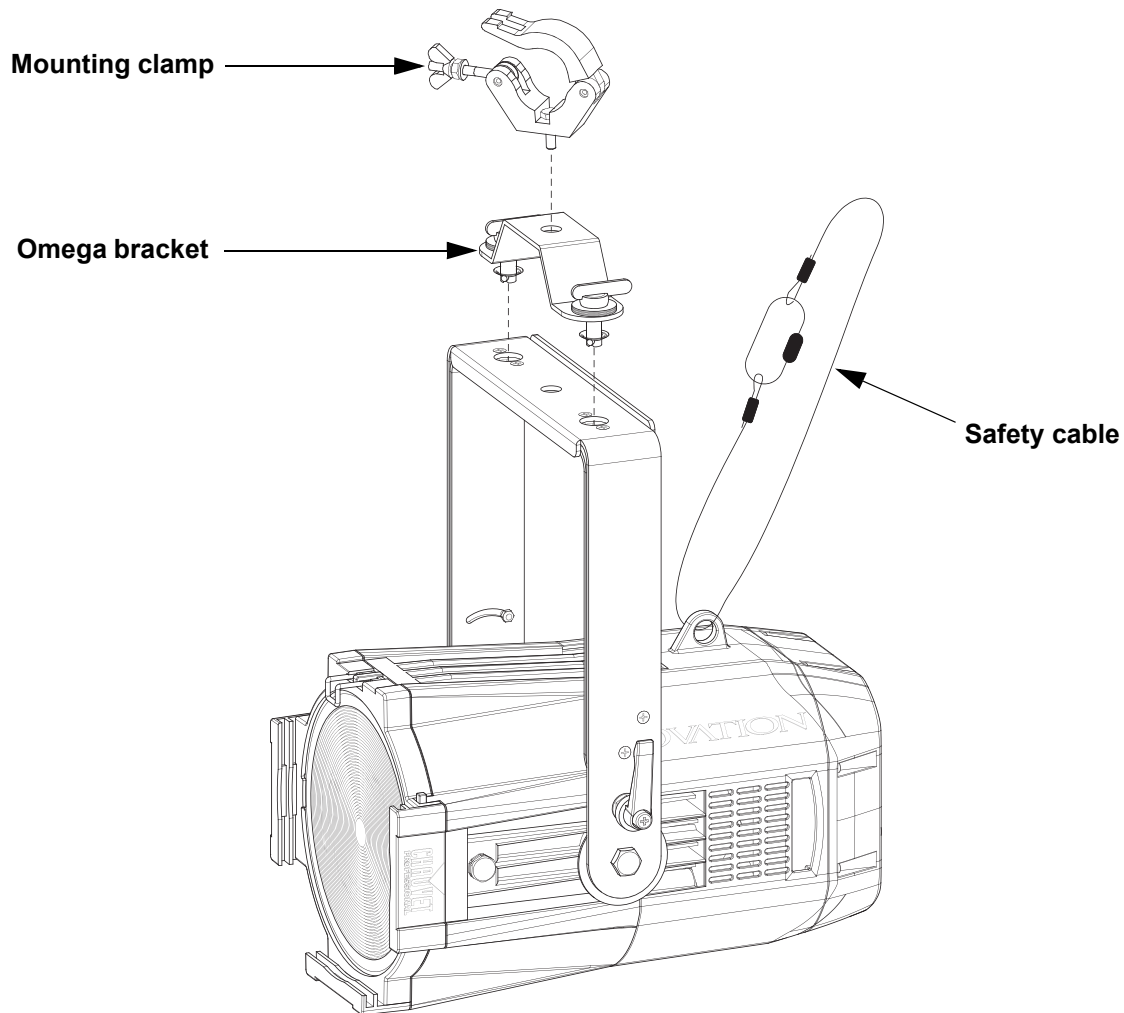
Chauvet recommends using the following general guidelines when mounting this product.

- Before deciding on a location for the product, make sure there is easy access to the product for maintenance and programming purposes.
- Make sure that the structure and attachment points can support the weight before hanging the product (see the [Technical Specifications](#)).
- When mounting the product overhead, always use a safety cable. Mount the product securely to a rigging point, whether an elevated platform or a truss.
- When rigging the product onto a truss, use a mounting clamp of appropriate weight capacity.

Procedure

The Ovation Rêve P-3 IP comes with an omega bracket. The user can directly attach a mounting clamp (sold separately) to that bracket. Make sure the clamp is capable of supporting the weight of this product. For the Chauvet Professional line of mounting clamps, go to <http://www.trusst.com/products>.

Mounting Diagram



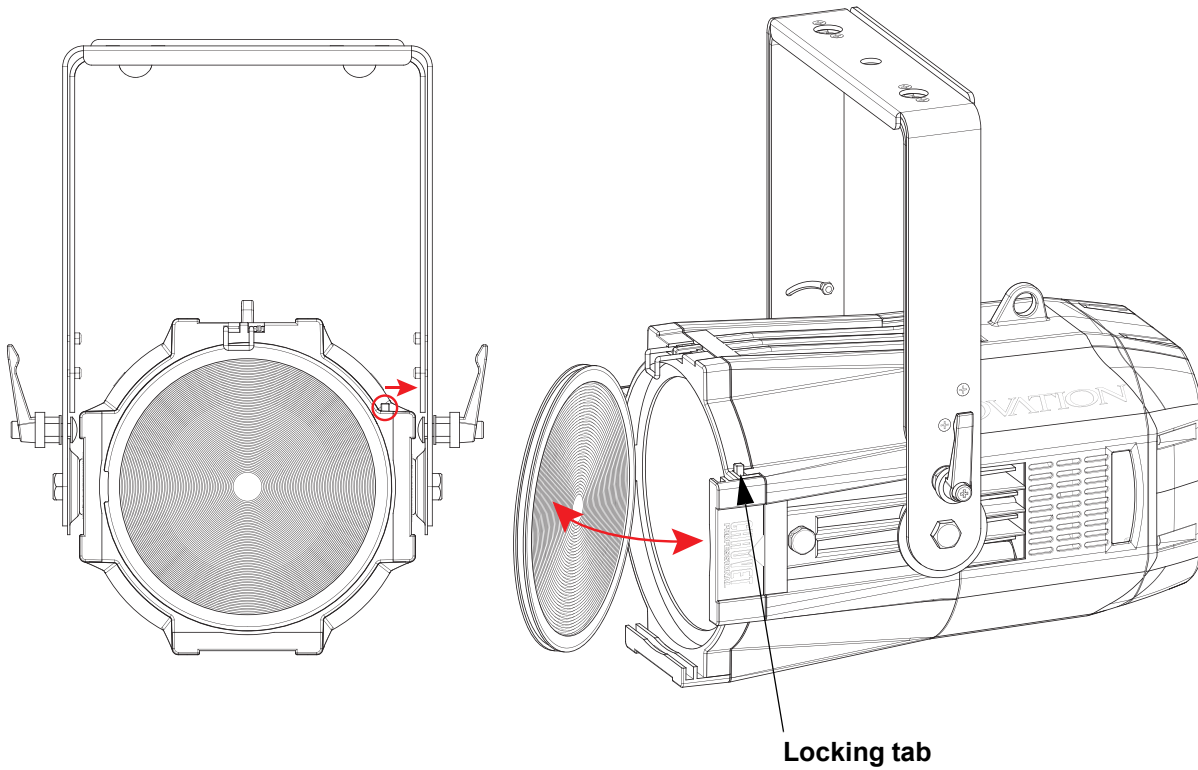
Setup

Changing the Lens

The Ovation Rêve P-3 IP comes with 4 interchangeable lenses with different beam angles (Narrow, Medium, Wide, and Very Wide lenses).

To change the lens:

1. Push and hold the locking tab out from the product.
2. Pull the installed lens out by the flap.
3. Insert the desired lens and release the locking tab.



4. Operation

Control Panel Description

Button	Function
<MENU>	Exits from the current menu or function
<ENTER>	Enables the currently displayed menu or sets the selected value into the function
<UP>	Navigates upwards through the menu list or increases the numeric value when in a function
<DOWN>	Navigates downwards through the menu list or decreases the value when in a function
<FOCUS>	Sets fixture into Focus Mode, which takes the unit to full power for easy focusing without changing any other fixture settings. Press again to release from Focus Mode.

Menu Map

Refer to the Ovation Rêve P-3 IP product page on www.chauvetprofessional.com for the latest menu map.

Main Level	Programming Levels		Description	
DMX Address	001–512*		Selects DMX address (*highest channel restricted to personality chosen)	
DMX Channel	1Ch	VCW	1-channel: dimmer	
		CCT		
		Manual		
		4Ch	4-channel: dimmer, VCW, CCT, hue	
		5Ch	5-channel: RGBAL	
		7Ch	7-channel: dimmer, RGBAL, strobe	
		11Ch	11-channel: 16-bit dimmer, RGBAL, strobe, VCW, CCT, hue	
		13Ch1	13-channel: dimmer, RGBAL, strobe, VCW, CCT, hue, auto program, auto speed, control	
		13Ch2	13-channel: 16-bit dimmer, 16-bit RGBAL, strobe	
		17Ch	17-channel: 16-bit dimmer, 16-bit RGBAL, strobe, VCW, CCT, hue, control	
	HSV	3-channel: hue, saturation, value		
Virtual Color	VCW	Md Yellow	Dimmer 0–255	Virtual Color Wheel simulates the output of each gel color. Refer to the Virtual Color Wheel Chart for specific values.
		Lt Yellow		
		Amb Yellow		
		VLt Amber		
		Lt Amber		
		Md Amber		
		Dk Amber		
		Lt Red		
		Md Red		
		NC Pink		
		Md Pink		
		Dk Pink		
		Md Red Amber		
		Dk Red Amber		
		Magenta		
		Dk Magenta		
		Lt Lavender		
		Lt Blue		
	VLt Blue			
	Lt Blue 2			

Operation



Main Level	Programming Levels		Description	
Virtual Color (cont.)	VCW (cont.)	Blue	Dimmer 0–255	Virtual Color Wheel simulates the output of each gel color. Refer to the Virtual Color Wheel Chart for specific values.
		Md Blue		
		Dk Blue		
		Indigo		
		VDk Blue		
		VDk Blue 2		
		Yel Green		
		Green		
		Turquoise		
		Aqua		
		Blue Green		
	CCT	2800K	Dimmer 0–255 Hue -25–25	Preset white color temperatures. Emulates a tungsten lamp at the specified color temperature. Refer to the Color Temperature Chart for specific values.
		2900K		
		3000K		
		3100K		
		3200K		
		3300K		
		3400K		
		3500K		
		3600K		
		3700K		
		3800K		
		3900K		
		4000K		
		4100K		
		4200K		
		4300K		
4400K				
4500K				
4600K				
4700K				
4800K				
4900K				
5000K				
5100K				
5200K				
5300K				
5400K				
5500K				
5600K				
5700K				
6000K				
6500K				
7000K				
7500K				
8000K				

Main Level	Programming Levels			Description
Virtual Color (cont.)	Manual	Red	0–255	Combines red, green, blue, amber, and mint to make a custom color (0–100%)
		Green		
		Blue		
		Amber		
		Mint		
	Color X-Fade Speed	Off		Disables fade transition between colors
		Fade Speed 1		Enables fade transition between colors in the Virtual Color Wheel menu, from fast (X-Fade Speed 1) to slow (X-Fade Speed 4)
		Fade Speed 2		
Fade Speed 3				
Fade Speed 4				
Auto Show	Auto 1–5	Speed 1–100	Selects automatic programs and auto program speed	
Red Shift	On			Mimics halogen lamp dimming
	Off			
Master/ Slave	Master			Receives DMX signal from the DMX controller (master)
	Slave			Receives DMX signal from the master unit
Dimmer Curve	SCurve			Sets the dimmer curve
	Linear			
	Square			
	Inverse Square			
Dimmer Mode	Off			Linear dimmer
	Dimmer 1–3			Dimming curves, from fast (Dimmer 1) to slow (Dimmer 3)
Color Calib	Off			Uncalibrated LED maximum values
	User Calib	Red	125–255	Sets red LED maximum value
		Green		Sets green LED maximum value
		Blue		Sets blue LED maximum value
		Amber		Sets amber LED maximum value
		Mint		Sets mint LED maximum value
	Factory Calib			Uses factory default white setting
LED Frequency	600Hz			Sets the PWM frequency
	1200Hz			
	2000Hz			
	4000Hz			
	6000Hz			
	25KHz			
Fan Mode	Auto			Sets the fan to auto mode
	On			Sets the fan to always on
	Off			Sets the fan to always off
	Silent			Sets the fan to silent
Back Light	10S			Turns off display backlight after 10 seconds
	30S			Turns off display backlight after 30 seconds
	2Min			Turns off display backlight after 2 minutes
	Always On			Display backlight remains on

Operation

Main Level	Programming Levels	Description	
Information	Fixture Hours --_ _ Hours _ _ Minute	Shows total hours the product has been powered on	
	LED Hours --_ _ Hours _ _ Minute	Shows total hours the LEDs have been powered on	
	Version V_ _ _ _ _	Shows current firmware version	
	UID _ _ _ _ _ _ _ _ _ _	Shows product UID	
Upgrade	Only This Fixture _ _ _ .CHL ...	Selects an update file for this product, or shows “No such file!”	
	Multiple Fixture _ _ _ .CHL ...	Selects an update file for this and connected Ovation Rêve P-3 IP products, or shows “No such file!”	
			Other Fixture Type _ _ _ .CHL ...
	Factory Reset	No	Resets settings to factory default
		Yes	



When operating in Fan Mode: Off and Fan Mode: Silent, the fixture will become hotter to the touch than when using other fan modes. Use proper protective equipment to prevent burns. Keep a safe distance from flammable objects.



When operating in Fan Mode: Off and Fan Mode: Silent, output of the fixture will be reduced and will not reach the same levels as when using other fan modes.

DMX Configuration

Use control configurations to operate the product with a DMX controller.

Control Personalities

To set the control personality:

- Go to the **DMX Channel** main level.
- Select the desired personality, from **1 Ch, 4 Ch, 5 Ch, 7 Ch, 11 Ch, 13 Ch1, 13 Ch2, 17 Ch, or HSV**.



- See the [Starting Address](#) section for the highest selectable starting address for each personality.
- Make sure that the starting addresses on the various products do not overlap due to the new personality setting.

Starting Address

Each product will respond to a unique starting address from the controller. All products with the same starting address will respond in unison. To set the starting address:

- Go to the **DMX Address** main level.
- Select the starting address (**001–512**).

The highest available starting address for each DMX mode is as follows:

Personality	Address	Personality	Address
1 Ch	512	13 Ch1	500
4 Ch	509	13 Ch2	500
5 Ch	508	17 Ch	496
7 Ch	506	HSV	510
11 Ch	502		

Virtual Color Wheel

The Ovation Rêve P-3 IP includes a feature called the Virtual Color Wheel (VCW). This feature is available as a standalone control mode for manual use and as a control channel in select DMX personalities. More than 30 premixed colors, custom blended by Chauvet engineers, are available to call up for easier programming.

The DMX values used to mix these colors are provided below. The overall intensity of the Ovation fixture can be adjusted to more closely replicate familiar industry-standard colors. A chart is available at www.chauvetprofessional.com to compare Chauvet's premixed colors with popular gel colors. This chart is for comparison purposes only and is not an assertion that Chauvet's premixed colors match any of the gel colors listed.

Virtual Color Wheel Chart

DMX Value	Display Readout	Red	Green	Blue	Amber	Mint
000 ⇔ 005	--	--	--	--	--	--
006 ⇔ 013	Md Yellow	255	225	000	255	037
014 ⇔ 021	Lt Yellow	255	177	003	255	037
022 ⇔ 028	Amb Yellow	255	220	000	255	000
029 ⇔ 035	VLt Amber	195	000	015	255	057
036 ⇔ 043	Lt Amber	255	000	011	255	061
044 ⇔ 051	Md Amber	255	053	000	255	017
052 ⇔ 059	Dk Amber	255	008	000	255	017
060 ⇔ 067	Lt Red	255	000	003	014	000
068 ⇔ 075	Md Red	255	000	002	000	000
076 ⇔ 083	NC Pink	255	075	062	255	073
084 ⇔ 091	Md Pink	255	075	057	255	041
092 ⇔ 099	Dk Pink	218	077	057	255	061
100 ⇔ 107	Md Red Amber	255	000	009	168	000
108 ⇔ 115	Dk Red Amber	255	005	009	036	000
116 ⇔ 121	Magenta	255	003	062	255	012
122 ⇔ 130	Dk Magenta	255	000	055	000	000
131 ⇔ 138	Lt Lavender	255	220	093	255	044
139 ⇔ 146	Lt Blue	000	255	159	112	078
147 ⇔ 154	VLt Blue	000	215	145	196	065
155 ⇔ 162	Lt Blue2	000	215	132	52	092
163 ⇔ 170	Blue	000	195	188	000	019
171 ⇔ 178	Md Blue	000	163	190	000	068
179 ⇔ 186	Dk Blue	000	128	193	000	038
187 ⇔ 194	Indigo	053	009	255	000	000
195 ⇔ 202	VDk Blue	007	084	116	000	000
203 ⇔ 210	VDk Blue2	011	082	139	000	000
211 ⇔ 218	Yel Green	000	255	002	025	000
219 ⇔ 226	Green	000	255	009	000	175
227 ⇔ 234	Turquoise	000	255	087	096	255
235 ⇔ 242	Aqua	000	255	098	044	255
243 ⇔ 250	Blue Green	000	255	026	008	000
251 ⇔ 255	--	--	--	--	--	--



The colors above are simulated renditions of the color output produced compared with other similar incandescent products. Chauvet makes no guarantee of the color output accuracy.

Operation

Color Temperature Chart

DMX Value	Color Temperature	Red	Green	Blue	Amber	Mint
000 ⇔ 005	No function					
006	2800K	253	000	025	255	145
007 ⇔ 012	2801–2899K					
013	2900K	253	003	028	255	153
014 ⇔ 019	2901–2999K					
020	3000K	251	005	033	255	161
021 ⇔ 026	3001–3099K					
027	3100K	248	007	036	255	169
028 ⇔ 033	3101–3199K					
034	3200K	245	009	045	255	173
035 ⇔ 040	3201–3299K					
041	3300K	242	013	047	255	182
042 ⇔ 047	3301–3399K					
048	3400K	237	022	053	255	185
049 ⇔ 054	3401–3499K					
055	3500K	230	030	058	255	185
056 ⇔ 061	3501–3599K					
062	3600K	225	040	064	255	185
063 ⇔ 068	3601–3699K					
069	3700K	221	048	070	255	185
070 ⇔ 075	3701–3799K					
076	3800K	220	048	074	255	197
077 ⇔ 082	3801–3899K					
083	3900K	220	050	079	255	203
084 ⇔ 089	3901–3999K					
090	4000K	210	058	084	255	203
091 ⇔ 096	4001–4099K					
097	4100K	205	063	088	255	203
098 ⇔ 103	4101–4199K					
104	4200K	199	068	095	255	204
105 ⇔ 110	4201–4299K					
111	4300K	189	069	098	255	204
112 ⇔ 117	4301–4399K					
118	4400K	183	071	103	255	204
119 ⇔ 124	4401–4499K					
125	4500K	174	078	107	255	204
126 ⇔ 131	4501–4599K					
132	4600K	170	080	112	255	204
133 ⇔ 138	4601–4699K					
139	4700K	166	089	119	255	204
140 ⇔ 145	4701–4799K					
146	4800K	164	098	123	255	203
147 ⇔ 152	4801–4899K					
153	4900K	163	100	129	255	205
154 ⇔ 159	4901–4999K					
160	5000K	163	103	137	255	206

DMX Value	Color Temperature	Red	Green	Blue	Amber	Mint
161 ⇔ 166	5001–5099K					
167	5100K	163	108	142	255	208
168 ⇔ 173	5101–5199K					
174	5200K	163	116	147	255	208
175 ⇔ 180	5201–5299K					
181	5300K	163	118	156	255	210
182 ⇔ 187	5301–5399K					
188	5400K	162	122	162	255	216
189 ⇔ 194	5401–5499K					
195	5500K	162	124	166	255	224
196 ⇔ 201	5501–5599K					
202	5600K	162	127	172	255	229
203 ⇔ 208	5601–5699K					
209	5700K	159	127	177	255	231
210 ⇔ 215	5701–5999					
216	6000K	158	134	192	241	231
217 ⇔ 222	6001–6499K					
223	6500K	152	152	206	225	231
224 ⇔ 229	6501–6999K					
230	7000K	144	157	224	218	231
231 ⇔ 236	7001–7499K					
237	7500K	127	172	238	218	231
238 ⇔ 243	7501–7999K					
244 ⇔ 255	8000K	122	175	255	200	231



The color temperatures above are simulated renditions of the color output produced compared with a tungsten lamp at the specified color temperature. Chauvet makes no guarantee of the color output accuracy.

Control Channel Assignments and Values

17 Ch / 13 Ch2 / 13 Ch1 / 11 Ch / 7 Ch / 5 Ch / 4 Ch

4	5	7	11	13-1	13-2	17	Function	Value	Percent/Setting
1	–	1	1	1	1	1	Dimmer	000 ⇔ 255	0–100%
–	–	–	2	–	2	2	Dimmer fine	000 ⇔ 255	0–100%
–	1	2	3	2	3	3	Red	000 ⇔ 255	0–100%
–	–	–	–	–	4	4	Red fine	000 ⇔ 255	0–100%
–	2	3	4	3	5	5	Green	000 ⇔ 255	0–100%
–	–	–	–	–	6	6	Green fine	000 ⇔ 255	0–100%
–	3	4	5	4	7	7	Blue	000 ⇔ 255	0–100%
–	–	–	–	–	8	8	Blue fine	000 ⇔ 255	0–100%
–	4	5	6	5	9	9	Amber	000 ⇔ 255	0–100%
–	–	–	–	–	10	10	Amber fine	000 ⇔ 255	0–100%
–	5	6	7	6	11	11	Mint	000 ⇔ 255	0–100%
–	–	–	–	–	12	12	Mint fine	000 ⇔ 255	0–100%
–	–	7	8	7	13	13	Strobe	000 ⇔ 010 011 ⇔ 255	No function Strobe, slow to fast
2	–	–	9	8	–	14	Virtual color wheel	000 ⇔ 255	See Virtual Color Wheel Chart

Operation

4	5	7	11	13-1	13-2	17	Function	Value	Percent/Setting
3	-	-	10	9	-	15	Color temperature	000 ⇔ 255	See Color Temperature Chart
4	-	-	11	10	-	16	Hue	000 001 ⇔ 255	0 -25-25
-	-	-	-	11	-	-	Auto programs	000 ⇔ 010 011 ⇔ 059 060 ⇔ 109 110 ⇔ 159 160 ⇔ 209 210 ⇔ 255	No function Auto program 1 Auto program 2 Auto program 3 Auto program 4 Auto program 5
-	-	-	-	12	-	-	Auto speed	000 ⇔ 255	Auto speed, slow to fast
-	-	-	-	13	-	17	Control (hold for 3 seconds)	000 ⇔ 007 008 ⇔ 015 016 ⇔ 023 024 ⇔ 031 032 ⇔ 039 040 ⇔ 047 048 ⇔ 055 056 ⇔ 063 064 ⇔ 071 072 ⇔ 079 080 ⇔ 087 088 ⇔ 095 096 ⇔ 103 104 ⇔ 111 112 ⇔ 119 120 ⇔ 127 128 ⇔ 255	No function Dimmer reset Red shift on Red shift off S-curve dimmer Linear dimmer Square dimmer curve Inverse square dimmer curve Dimmer speed mode: OFF Dimmer speed 1 (fastest) Dimmer speed 2 Dimmer speed 3 (slowest) Fan auto Fan on Fan off Fan silent Reserved for future use

HSV

Channel	Function	Value	Percent/Setting
1	Dimmer	000 ⇔ 255	0-100%
2	Saturation	000 ⇔ 255	0-100%
3	Value	000 ⇔ 255	0-100%

1 Ch

Channel	Function	Value	Percent/Setting
1	Dimmer	000 ⇔ 255	0-100% (color set through display menu)

Standalone Configuration

Static Mode

The static mode options under **VCW** (Virtual Color Wheel) also include preset color temperatures and a manual color mixer.

Virtual Color Wheel

To select from the Virtual Color Wheel:

1. Go to the **VCW** main level.
2. Select the **VCW** option.
3. Select the desired virtual gel color (see the [Virtual Color Wheel Chart](#)).
4. Set the **Dimmer** value (**0–255**).

Color Temperature

To select a preset color temperature:

1. Go to the **VCW** main level.
2. Select the **CCT** option.
3. Select the desired color temperature (see the [Color Temperature Chart](#)).
4. Set the **Dimmer** value (**0–255**).
5. If desired, set the **Hue** value (**-25–25**).

Manual Color Mixer

To manually mix a custom static color:

1. Go to the **VCW** main level.
2. Select the **Manual** option.
3. Select the color to edit (**Red, Green, Blue, Amber, or Mint**).
4. Set the value for the selected color (**0–255**).
5. Repeat steps 3 and 4 until product outputs as desired.

Color X-Fade Speed

The Color X-Fade Speed option creates a fade transition between colors when using colors in the Virtual Color Wheel or the Color Temperature chart.

1. Go to the **VCW** main level.
2. Select **Color X-Fade Speed**.
3. Select **Fade Speed 1–4** (from fast to slow) or **Off** (to turn off the fade transition between colors).

Auto Show

To select an automatic program:

1. Go to the **Auto Show** main level.
2. Select the desired auto program (**Auto 1–5**).
3. Set the **Speed** value (**1–100**).

Operation

Configuration Settings

Red Shift

The Red Shift function imitates the dimming of a halogen lamp. To toggle Red Shift:

1. Go to the **Red Shift** main level.
2. Select **On** or **Off**.

Master/Slave

The Master/Slave mode allows a group of Ovation Rêve P-3 IP products (the slaves) to simultaneously duplicate the output of another Ovation Rêve P-3 IP (the master) without a DMX controller.

To set each of the slaves:

1. Go to the **Master/Slave** main level
2. Select **Slave**.

To set the master:

1. Go to the **Master/Slave** main level
2. Select **Master**.
3. Select a standalone setting.



- The master is the one that runs a program whether in Auto or Static mode.
- Do not connect a DMX controller to the products configured for Master/Slave operation. The DMX controller may interfere with signals from the master.
- The master should be the first product in the daisy chain.

Dimmer Curve

To set the dimmer curve:

1. Go to the **Dimmer Curve** main level.
2. Select the desired option (**SCurve**, **Linear**, **Square**, or **Inverse Square**).

Dimmer Profile

This setting determines how fast the output of the Ovation Rêve P-3 IP changes when the output value is modified. It provides four different options to simulate the dimming curve of an incandescent lighting product. To select a specific dimmer profile, do the following:

1. Go to the **Dimmer Mode** main level.
2. Select a dimmer curve (**Off**, **Dimmer 1**, **Dimmer 2**, or **Dimmer 3**).



- Off:** The output is proportional (linear) to the dimmer channel value.
- Dimmer 1–3:** The output follows the dimmer value based on the corresponding dimmer curve, **Dimmer 1** being the fastest.

Color Calibration

This setting determines the maximum output values for each color, which affects the appearance of the total color output.

1. Go to the **Color Calib** main level.
2. Select **Off** (LED values will be linear/uncalibrated), **User Calib**, or **Factory Calib**.
3. For **User Calib** mode, select the color value to edit (**Red**, **Green**, **Blue**, **Amber**, or **Mint**).
4. Set the maximum value for the selected color (**125–255**).
5. Repeat steps 3 and 4 until the product outputs as desired.

Pulse Width Modulation

To set the Pulse Width Modulation (PWM) frequency of the LEDs on the Ovation Rêve P-3 IP:

1. Go to the **LED Frequency** main level.
2. Select the PWM Frequency (**600Hz**, **1200Hz**, **2000Hz**, **4000Hz**, **6000Hz**, or **25Khz**).

Fan Mode

To set the fan speed mode:

1. Go to the **Fan Speed** main level.
2. Select **Auto** (fan speed will increase or decrease based on product temperature), **Off** (fan will stay off. Product output will decrease based on product temperature), **Silent** (fan will maintain a constant silent speed), or **On** (fan speed will always be at maximum).



When operating in Fan Mode: Off and Fan Mode: Silent, the fixture will become hotter to the touch than when using other fan modes. Use proper protective equipment to prevent burns. Keep a safe distance from flammable objects.



When operating in Fan Mode: Off and Fan Mode: Silent, output of the fixture will be reduced and will not reach the same levels as when using other fan modes.

Display Backlight Timer

To set the amount of time the backlight on the Ovation Rêve P-3 IP's display stays on after the last button is pressed on the control panel:

1. Go to the **Back Light** main level.
2. Select **10S** (10 seconds), **30S** (30 seconds), **2Min** (2 minutes), or **Always On** (remains on).

Information

To view essential product information:

1. Go to the **Information** main level.
2. Select **Fixture Hours**, **LED Hours**, **Version**, or **UID**.

Factory Reset

To reset the product to factory settings:

1. Go to the **Factory Reset** main level.
2. Select **No** (to cancel) or **Yes** (to reset the product configuration).

5. Maintenance

Product Maintenance

Dust build-up reduces light output performance and can cause overheating. This can lead to reduction of the light source's life and/or mechanical wear. To maintain optimum performance and minimize wear, clean each lighting product at least twice a month. However, be aware that usage and environmental conditions could be contributing factors to increase the cleaning frequency.

To clean the product, follow the instructions below:

1. Unplug the product from power.
2. Wait until the product is at room temperature.
3. Use a vacuum (or dry compressed air) and a soft brush to remove dust collected on the external surface/vents.
4. Clean all transparent surfaces with a mild soap solution, ammonia-free glass cleaner, or isopropyl alcohol.
5. Apply the solution directly to a soft, lint free cotton cloth or a lens cleaning tissue.
6. Softly drag any dirt or grime to the outside of the transparent surface.
7. Gently polish the transparent surfaces until they are free of haze and lint.



Always dry the transparent surfaces carefully after cleaning them.

Torque Measurements

To maintain the IP rating when reassembling the product, use the given torque measurements for each of the following screws and bolts:

Fixture Parts	Torque Rating (Kgf.cm)	Torque Rating (lgb.in)
USB and DMX Connectors	6.5	5.64
Power Connectors	3.5	3.04
Covers	9.5	8.25

Vacuum Test Measurements

To ensure that the product has been reassembled correctly, use the IP Tester from Chauvet Professional to check the following data has the given measurements for the given method:

Parameters	Values
Method	Positive
Test pressure	4-5 kPa
Test duration	15 seconds
PASS state leak pressure	<0.01 kPa

6. Technical Specifications

Dimensions and Weight

Length	Width	Height	Weight
18.82 in (478 mm)	11.81 in (300 mm)	8.27 in (210 mm)	21.4 lb (9.8 kg)

Note: Dimensions in inches are rounded.

Power

Power Supply Type	Range	Voltage Selection
Switching (internal)	100 to 240 VAC, 50/60 Hz	Auto-ranging

Parameter	100 V, 60 Hz	120 V, 60 Hz	208 V, 60 Hz	230 V, 50 Hz	240 V, 50 Hz
Consumption	275 W	274 W	267 W	265 W	265 W
Operating Current	2.78 A	2.31 A	1.38 A	1.25 A	1.22 A
Max. Output Current	13.6 A	13.6 A	13.6 A	13.6 A	13.6 A
Fuse	T 6.3 A, 250 V	T 6.3 A, 250 V	T 6.3 A, 250 V	T 6.3 A, 250 V	T 6.3 A, 250 V

Power I/O	U.S./Worldwide	UK/Europe
Power Input Connector	Seetronic Powerkon IP65	Seetronic Powerkon IP65
Power Output Connector	Seetronic Powerkon IP65	Seetronic Powerkon IP65
Power Cable plug	Edison	Local plug

Light Source

Type	Color	Quantity	Power	Current	Lifespan
LED	Red	10	4.4 to 7.8 W	2.4 A	50,000 hours
	Green	10			
	Blue	10			
	Amber	20			
	Mint	30			

Photometrics

Lens	Beam Angle	Field Angle	Illuminance @ 5 m
Narrow	11.9°	20.8°	6,910 lux
Medium	25.6°	37.8°	1,950 lux
Wide	29.3°	43.1°	1,475 lux
Very Wide	43.5°	87.9°	401 lux

Thermal

Maximum External Temperature	Cooling System
113 °F (45 °C)	Fan-assisted Convection

Control

DMX I/O Connector	Channel Range
3-pin XLR, 5-pin XLR	1, 4, 5, 7, 11, 13ch1, 13ch2, 17 or HSV

Ordering

Product Name	Item Name	Item Code	UPC Number
Ovation Rêve P-3 IP	OVATIONREVEP3IP	01031928	781462222765



Contact Us

General Information	Technical Support
Chauvet World Headquarters	
Address: 3360 Davie Rd., Suite 509 Davie, FL 33314 Voice: (954) 577-4455 Fax: (954) 929-5560 Toll Free: (800) 762-1084	Voice: (844) 393-7575 Fax: (954) 756-8015 Email: chauvetcs@chauvetlighting.com Website: www.chauvetprofessional.com
Chauvet U.K.	
Address: Pod 1 EVO Park Little Oak Drive, Sherwood Park Nottinghamshire, NG15 0EB UK Voice: +44 (0) 1773 511115 Fax: +44 (0) 1773 511110	Email: UKtech@chauvetlighting.eu Website: www.chauvetprofessional.eu
Chauvet Benelux	
Address: Stokstraat 18 9770 Kruishoutem Belgium Voice: +32 9 388 93 97	Email: BNLtech@chauvetlighting.eu Website: www.chauvetprofessional.eu
Chauvet France	
Address: 3, Rue Ampère 91380 Chilly-Mazarin France Voice: +33 1 78 85 33 59	Email: FRtech@chauvetlighting.fr Website: www.chauvetprofessional.eu
Chauvet Germany	
Address: Bruno-Bürgel-Str. 11 28759 Bremen Germany Voice: +49 421 62 60 20	Email: DEtech@chauvetlighting.de Website: www.chauvetprofessional.eu
Chauvet Mexico	
Address: Av. de las Partidas 34 - 3B (Entrance by Calle 2) Zona Industrial Lerma Lerma, Edo. de México, CP 52000 Voice: +52 (728) 690-2010	Email: servicio@chauvet.com.mx Website: www.chauvetprofessional.mx

Warranty & Returns

For warranty terms and conditions and return information, please visit our website.

For customers in the United States and Mexico: www.chauvetlighting.com/warranty-registration.

For customers in the United Kingdom, Republic of Ireland, Belgium, the Netherlands, Luxembourg, France, and Germany: www.chauvetlighting.eu/warranty-registration.