

# MAVERICK STORM

4 SOLOWASH

## User Manual



Model ID: MAVERICKSTORM4SOLOWASH

  
**CHAUVET**  
PROFESSIONAL

## Edition Notes

The Maverick Storm 4 SoloWash User Manual includes a description, safety precautions, installation, programming, operation, and maintenance instructions for the Maverick Storm 4 SoloWash as of the release date of this edition.

### Trademarks

Chauvet, Chauvet Professional, the Chauvet logo, Maverick, and Maverick Storm are registered trademarks or trademarks of Chauvet & Sons, LLC (d/b/a Chauvet and Chauvet Lighting) in the United States and other countries. Other company and product names and logos referred to herein may be trademarks of their respective companies.

### Copyright Notice

The works of authorship contained in this manual, including, but not limited to, all designs, text, and images are owned by Chauvet.

© **Copyright 2024 Chauvet & Sons, LLC. All rights reserved.**

Electronically published by Chauvet in the United States of America.

### Manual Use

Chauvet authorizes its customers to download and print this manual for professional information purposes only. Chauvet expressly prohibits the usage, copy, storage, distribution, modification, or printing of this manual or its content for any other purpose without written consent from Chauvet.

### Document Printing

For best results, print this document in color, on letter size paper (8.5 x 11 in), double-sided. If using A4 paper (210 x 297 mm), configure the printer to scale the content accordingly.

### Intended Audience

Any person installing, operating, and/or maintaining this product should completely read through the guide that shipped with the product, as well as this manual, before installing, operating, or maintaining this product.

### Disclaimer

Chauvet believes that the information contained in this manual is accurate in all respects. However, Chauvet assumes no responsibility and specifically disclaims any and all liability to any party for any loss, damage or disruption caused by any errors or omissions in this document, whether such errors or omissions result from negligence, accident, or any other cause. Chauvet reserves the right to revise the content of this document without any obligation to notify any person or company of such revision, however, Chauvet has no obligation to make, and does not commit to make, any such revisions.

### Document Revision

Go to [www.chauvetprofessional.com](http://www.chauvetprofessional.com) for the latest version.

Revision	Date	Description
1	02/2024	Initial Release

## TABLE OF CONTENTS

<b>1. Before You Begin</b> .....	1
What Is Included .....	1
Claims .....	1
Text Conventions .....	1
Symbols .....	1
FCC Statement of Compliance .....	2
RF Exposure Warning for North America, and Australia.....	2
Expected LED Lifespan.....	2
Safety Notes.....	3
<b>2. Introduction</b> .....	4
Description .....	4
Features .....	4
Product Overview.....	5
Product Dimensions .....	6
<b>3. Setup</b> .....	7
AC Power .....	7
AC Plug.....	7
Fuse Replacement.....	7
Power Linking .....	7
Remote Device Management.....	8
USB Software Update .....	8
Mounting .....	9
Orientation .....	9
Rigging.....	9
Procedure .....	9
Signal Connections .....	10
Control Personalities.....	10
DMX Linking .....	10
Art-Net™ Connection.....	10
sACN Connection .....	10
Connection Diagram .....	10
<b>4. Operation</b> .....	11
Touchscreen Control Panel.....	11
Control Panel Description .....	11
Battery Powered Display .....	11
Home Screen .....	11
Control Panel Lock.....	11
Passcode.....	11
Technician Mode.....	12
Menu Map .....	12
Control Configuration .....	18
Control Mode .....	18
Control Personalities.....	18
Starting Address .....	18
Network Setup .....	18
IP Mode.....	18
Universe .....	18
Manual IP Address.....	18
Subnet Mask .....	18

Control Channel Assignments and Values.....	19
Gobo Wheel .....	22
Gobo Dimensions .....	22
Settings Configuration.....	23
Pan Reverse .....	23
Tilt Reverse.....	23
Screen Reverse .....	23
Pan Angle .....	23
Tilt Angle.....	23
Blackout on Movement .....	23
Touchscreen Calibration.....	23
Touchscreen Lock .....	23
Lock Screen.....	23
Swap Pan and Tilt.....	24
WDMX Reset.....	24
Display Backlight Timer .....	24
Loss of Data.....	24
Fan Mode.....	24
Dimmer Curve.....	24
Pulse Width Modulation .....	24
LED Power.....	24
Minimum Zoom Focus .....	25
Preset Selection.....	25
Preset Synchronization.....	25
USB Update.....	25
Reset Function.....	25
Factory Reset .....	25
Test Mode .....	26
Auto Test .....	26
Manual Test.....	26
System Information .....	26
Zero Adjust Mode.....	26
Web Server .....	27
Gobo Replacement.....	28
<b>5. Maintenance.....</b>	<b>29</b>
Product Maintenance .....	29
Gobo Maintenance.....	29
Torque Measurements .....	30
Vacuum Test Measurements .....	30
Transporting on Truss or Racks.....	30
<b>6. Technical Specifications.....</b>	<b>31</b>
<b>Contact Us.....</b>	<b>32</b>
Warranty & Returns.....	32

# 1. Before You Begin

## What Is Included

- Maverick Storm 4 SoloWash
- (2) 140-D Omega brackets with mounting hardware
- Seetronic Powerkon IP65 power cable
- Quick Reference Guide

## Claims

Carefully unpack the product immediately and check the container to make sure all the parts are in the package and are in good condition.




If the box or the contents (the product and included accessories) appear damaged from shipping, or show signs of mishandling, notify the carrier immediately, not Chauvet. Failure to report damage to the carrier immediately may invalidate the claim. In addition, keep the box and contents for inspection.

For other issues, such as missing components or parts, damage not related to shipping, or concealed damage, file a claim with Chauvet within 7 days of delivery.

## Text Conventions

Convention	Meaning
<b>1–512</b>	A range of values
<b>50/60</b>	A set of values of which only one can be chosen
<b>Settings</b>	A menu option not to be modified
<b>&lt;ENTER&gt;</b>	A key to be pressed on the product's control panel

## Symbols

Symbol	Meaning
	Critical installation, configuration, or operation information. Not following these instructions may make the product not work, cause damage to the product, or cause harm to the operator.
	Important installation or configuration information. The product may not function correctly if this information is not used.
	Useful information.



Any reference to data or power connections in this manual assumes the use of Seetronic IP rated cables.



The term “DMX” used throughout this manual refers to the USITT DMX512-A digital data transmission protocol.

## Before You Begin

---

### FCC Statement of Compliance

This device complies with Part 15 Part B of the FCC rules. Operation is subject to the following two conditions:

1. This device may not cause harmful interference, and
2. This device must accept any interference received, including interference that may cause undesired operation.

This equipment has been tested and found to comply with the limits for a Class B digital device, pursuant to Part 15 of the FCC Rules. These limits are designed to provide reasonable protection against harmful interference in a residential installation. This equipment generates uses and can radiate radio frequency energy and, if not installed and used in accordance with the instructions, may cause harmful interference to radio communications. However, there is no guarantee that interference will not occur in a particular installation. If this equipment does cause harmful interference to radio or television reception, which can be determined by turning the equipment off and on, the user is encouraged to try to correct the interference by one or more of the following measures:

- Reorient or relocate the receiving antenna.
- Increase the separation between the equipment and receiver.
- Connect the equipment into an outlet on a circuit different from that to which the receiver is connected.
- Consult the dealer or an experienced radio/TV technician for help.

Any changes or modifications not expressly approved by the party responsible for compliance could void the user's authority to operate the equipment.

### RF Exposure Warning for North America, and Australia

**Warning!** This equipment complies with FCC radiation exposure limits set forth for an uncontrolled environment. This equipment should be installed and operated with a minimum distance of 20cm between the radiator and the user. This transmitter must not be co-located or operating in conjunction with any other antenna or transmitter.

### Expected LED Lifespan

Over time, use and heat will gradually reduce LED brightness. Clustered LEDs produce more heat than single LEDs, contributing to shorter lifespans if always used at full intensity. The average LED lifespan is 40,000 to 50,000 hours. To extend LED lifespan, maintain proper ventilation around the product, and limit the overall intensity.

## Safety Notes

Read all the following safety notes before working with this product. These notes contain important information about the installation, usage, and maintenance of this product.



**This product contains no user-serviceable parts. Any reference to servicing in this User Manual will only apply to properly trained, certified technicians. Do not open the housing or attempt any repairs.**



**All applicable local codes and regulations apply to proper installation of this product.**

- The luminaire is intended for professional use only.
- The luminaire should be positioned so that prolonged staring into the luminaire at a distance closer than 32.8 ft (10 m) is not expected.
- If the external flexible cable or cord of this luminaire is damaged, it shall be replaced by a special cord or cord exclusively available from the manufacturer or its service agent.
- The light source contained in this luminaire shall only be replaced by the manufacturer or its service agent or a similar qualified person.
- **CAUTION:**
  - This product's housing may be hot when operating. Mount this product in a location with adequate ventilation, at least 20 in (50 cm) from adjacent surfaces.
  - When transferring the product from extreme temperature environments, (e.g., cold truck to warm humid ballroom) condensation may form on the internal electronics of the product. To avoid causing a failure, allow the product to fully acclimate to the surrounding environment before connecting it to power.
  - Flashing light is known to trigger epileptic seizures. User must comply with local laws regarding notification of strobe use.
- **ALWAYS:**
  - Disconnect from power before cleaning the product or replacing the fuse.
  - When using an IP65-rated product in an outdoor environment, use IP65- (or higher) rated power and data cable.
  - Replace the fuse with the same type and rating.
  - Use a safety cable when mounting this product overhead.
  - Connect this product to a grounded and protected circuit.
- **DO NOT:**
  - Open this product. It contains no user-serviceable parts.
  - Look at the light source when the product is on.
  - Leave any flammable material within 300 cm of this product while operating or connected to power.
  - Connect this product to a dimmer or rheostat.
  - Operate this product if the housing, lenses, or cables appear damaged. Submerge this product (adhere to standards for the published IP rating). Regular outdoor operation is fine.
  - Permanently install outdoors in locations with extreme environmental conditions. This includes, but is not limited to:
    - Exposure to a marine/saline environment (within 3 miles of a saltwater body of water).
    - Locations where normal temperatures exceed the temperature ranges in this manual.
    - Locations that are prone to flooding or being buried in snow.
    - Other areas where the product will be subject to extreme radiation or caustic substances.
- **ONLY** use the carry handles or hanging/mounting bracket to carry this product.
- The maximum ambient temperature is 113 °F (45 °C). Do not operate this product at higher temperatures.
- The minimum startup temperature is -14°F (-10°C). Do not start the product at lower temperatures.
- To eliminate unnecessary wear and improve its lifespan, during periods of non-use completely disconnect the product from power via breaker or by unplugging it.
- In the event of a serious operating problem, stop using immediately.



**If a Chauvet product requires service, contact Chauvet Technical Support.**

## 2. Introduction

### Description

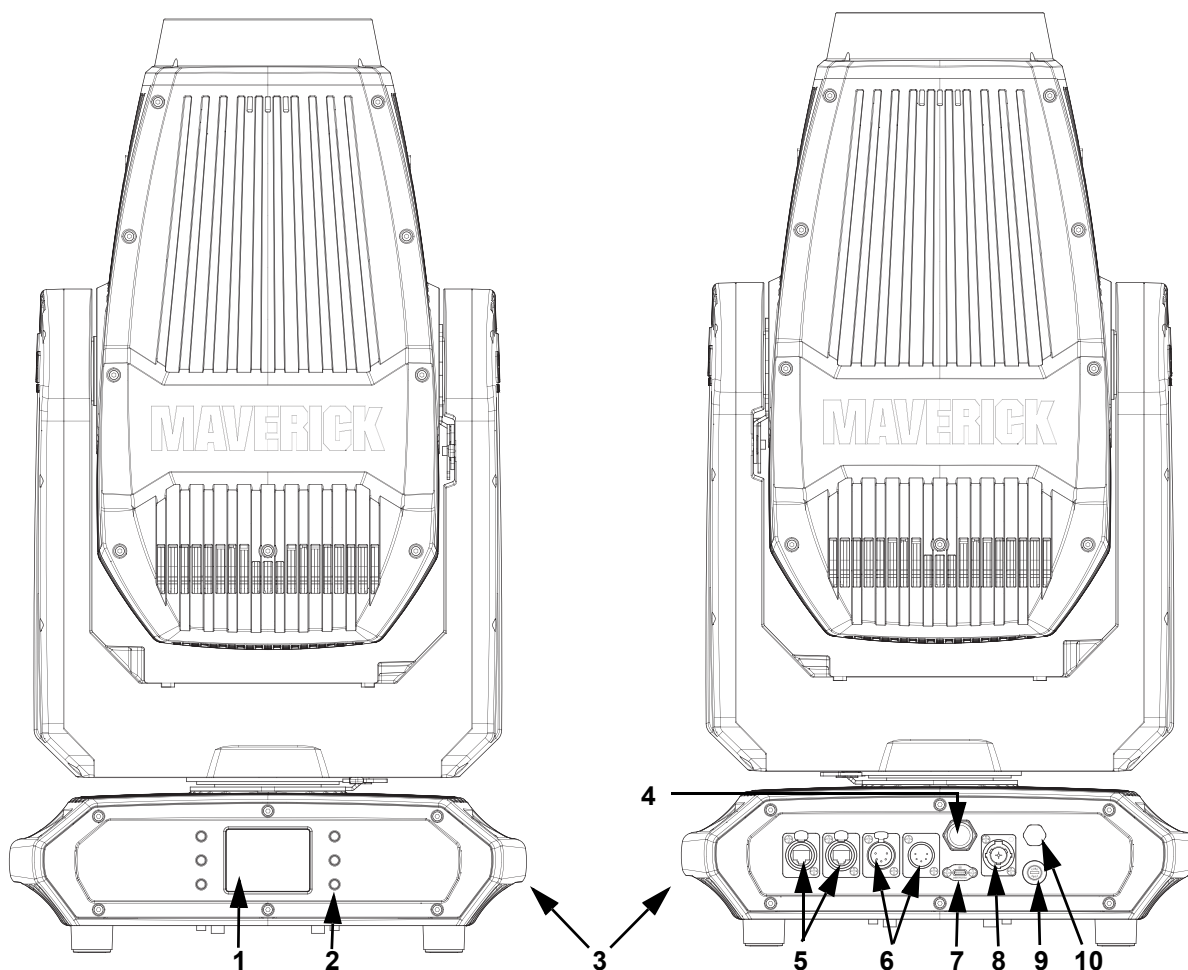
The Maverick Storm 4 SoloWash is an outdoor-ready IP65-rated single source 1200W LED wash engineered to meet demand for classic wash looks with the modern features LDs expect and bright enough for stadium level long throws: CMY + CTO color mixing system offering a wide color palette, independent color wheel with CRI and CTB filters, expansive 8:1 zoom, rotating gobo wheel with interchangeable geometric gobos, framing shutters and frost. Built with the durability and versatility to perform in any venue, indoors or out, and calibrated to match the colors of other Storm fixtures in the rig. Take control with DMX, RDM, sACN, Art-Net, or W-DMX.

### Features

- Fully featured, compact and lightweight IP65 1,250 W LED yoke single source fixture including CMY + CTO color mixing, a 4-blade framing shutter system with rotation, a color wheel, 9.5:1 zoom, 1 rotating gobo wheel, 1 animation wheel, frost, and iris
- 16-bit dimming of master dimmer for smooth control of fades
- Variable CMY + CTO color mixing system to create a wide pallet of colors
- CRI and CTB filters on color wheel for added flexibility
- 1 rotating, indexing and interchangeable slot and lock gobo wheel with geometric shapes
- An animation wheel for kinetic textured effects
- DMX, WDMX, sACN, and Art-Net for full flexibility of control options
- RDM control over DMX for fixture reporting
- 7.1° to 74.1° zoom range for variable beam sizes
- Iris, Animation wheel, and frost for beam shaping effects
- True 1 compatible power input
- Three setup menu presets and preset sync for cross loading to multiple like fixtures for easy shop setup.
- USB slot for software uploads
- Battery backup display with auto-rotate depending on fixture orientation
- Fail safe ethernet connectivity allows for data to pass if fixture power is lost.

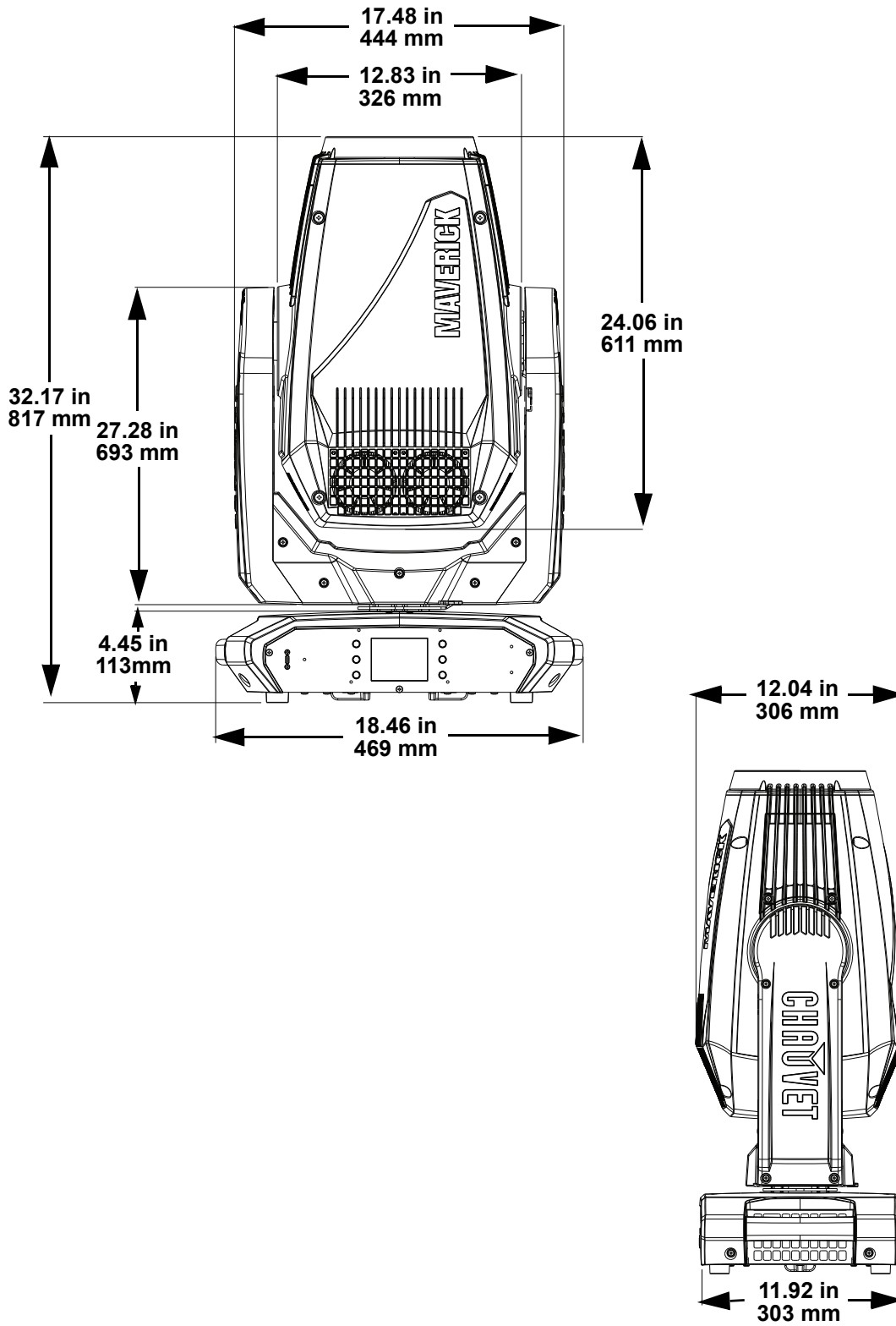


**Product Overview**



#	Name
1	LCD display
2	Menu buttons
3	Carry handle (x2)
4	Wireless antenna
5	Ethernet ports
6	DMX in/out
7	USBC port
8	Power in
9	Fuse holder
10	Condensation valve

## Product Dimensions



### 3. Setup

#### AC Power

The Maverick Storm 4 SoloWash has an auto-ranging power supply and it can work with an input voltage range of 100 to 240 VAC, 50/60 Hz.

To determine the product's power requirements (circuit breaker, power outlet, and wiring), use the current value listed on the label affixed to the product's back panel, or refer to the product's specifications chart. The listed current rating indicates the product's average current draw under normal conditions.



- **Always connect the product to a protected circuit (a circuit breaker or fuse). Make sure the product has an appropriate electrical ground to avoid the risk of electrocution or fire.**
- **To eliminate unnecessary wear and improve its lifespan, during periods of non-use completely disconnect the product from power via breaker or by unplugging it.**



**Never connect the product to a rheostat (variable resistor) or dimmer circuit, even if the rheostat or dimmer channel serves only as a 0 to 100% switch.**

#### AC Plug

The Maverick Storm 4 SoloWash comes with a power input cable terminated with a Seetronic Powerkon A connector on one end and an Edison plug on the other end (U.S. market). Use the table below to wire the new plug.

Connection	Wire (U.S.)	Wire (Europe)	Screw Color
AC Live	Black	Brown	Yellow or Brass
AC Neutral	White	Blue	Silver
AC Ground	Green/Yellow	Green/Yellow	Green

#### Fuse Replacement

1. Disconnect this product from the power outlet.
2. Using a flat-head screwdriver, unscrew the fuse holder cap from the housing.
3. Remove the blown fuse and replace with another fuse of the same type and rating (F 25 A, 250 V).
4. Screw the fuse holder cap back in place and reconnect power.

#### Power Linking

It is possible to power link Maverick Storm 4 SoloWash products. See the table below for the current draw at each voltage and frequency:

	100 V, 60 Hz	120 V, 60 Hz	208 V, 60 Hz	230 V, 50 Hz	240 V, 60 Hz
<b>Current Draw</b>	16.9 A	14.67 A	8.35 A	7.48 A	7.20 A

Never exceed 12A on a single circuit. Power-linking cables can be purchased separately.

## Remote Device Management

Remote Device Management, or RDM, is a standard for allowing DMX-enabled devices to communicate bi-directionally along existing DMX cabling. Check the DMX controller's User Manual or with the manufacturer as not all DMX controllers have this capability. The Maverick Storm 4 SoloWash supports RDM protocol that allows feedback to make changes to menu map options.

## USB Software Update

The Maverick Storm 4 SoloWash allows for software updates with a USB device using the built-in USB port. To update the software using a USB flash drive, do the following:

1. Power on the product, and plug the flash drive into the USB port.
2. Once the flash drive has been detected, the message "**USB UPDATE**" will be displayed. Select **YES**.
3. The next screen will show the software versions available for this fixture on the USB drive. For multiple versions of the software for the same fixture, use **<UP>** or **<DOWN>** to select the desired version. Press **<ENTER>**.
4. The "**USB UPDATE**" screen will re-appear. Select **YES**.



**It is possible to update multiple units with the USB if they are daisy chained via DMX.**

5. The upgrade will start. **DO NOT** turn off the power or disconnect the USB while the USB LED is still blinking during the process. The screen display will read: "**USB Update Wait**". The update can take several minutes to complete.
  - When the USB firmware is done uploading, in some fixtures, the display will change to: "**DO NOT UNPLUG, UPDATING**".
6. When the update is completed, the fixture will automatically reboot.
7. Go to **Fixture Information** on the product's menu map and confirm the firmware revision.
8. When the boot-up process is finished, restart the product.



- **Place the .chl file in the root directory of the USB drive.**
- **The product's USB port supports up to 32GB capacity and only works with FAT32 file format.**



**Turning off the power or removing the USB while the USB LED is still blinking during the update will cause partial or total firmware failure in the targeted fixture(s). If this occurs, the user will need the UPLOAD 08 device to fix this. Please contact Chauvet regarding this device.**

## Mounting

Before mounting the product, read and follow the safety recommendations indicated in the [Safety Notes](#). For the Chauvet Professional line of mounting clamps, go to <http://trusst.com/products/>.

### Orientation

Always mount this product in a safe position, making sure there is adequate room for ventilation, configuration, and maintenance.

### Rigging

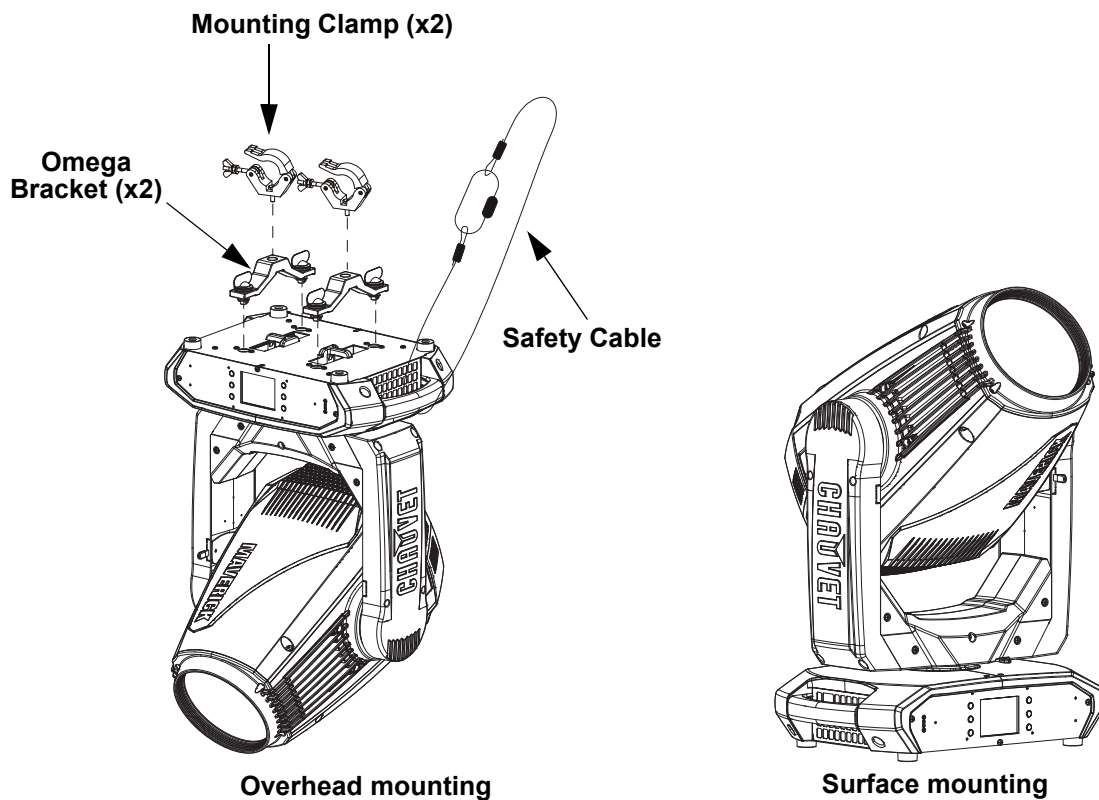
Chauvet recommends using the following general guidelines when mounting this product.

- Before deciding on a location for the product, make sure there is easy access to the product for maintenance and programming purposes.
- Make sure that the structure and attachment points can support the weight before hanging the product (see the [Technical Specifications](#)).
- When mounting the product overhead, always use a safety cable. Mount the product securely to a rigging point, whether an elevated platform or a truss.
- When rigging the product onto a truss, use a mounting clamp of appropriate weight capacity.

### Procedure

The Maverick Storm 4 SoloWash comes with 2 Omega brackets to which the user can directly attach mounting clamps (sold separately). Make sure the clamps are capable of supporting the weight of this product. Use at least two mounting points per product. For the Chauvet Professional line of mounting clamps, go to <http://www.trusst.com/products>.

### Mounting Diagram



## Signal Connections

The Maverick Storm 4 SoloWash can receive a DMX, Art-Net™, or sACN, signal. The Maverick Storm 4 SoloWash has 2 Amphenol XLRnet through ports, and 5-pin DMX in and out ports. If using other compatible products with this product, it is possible to control each individually with a single controller.

### Control Personalities

The Maverick Storm 4 SoloWash uses a 5-pin DMX data connection, WDMX, Art-Net™, or sACN for its two control personalities: **DMX Mode 31 CH** and **DMX Mode 46 CH**.

- Refer to the [Operation](#) chapter to learn how to configure the Maverick Storm 4 SoloWash to work in these personalities.
- The [Control Channel Assignments and Values](#) section provides detailed information regarding the control personalities.



For more information about DMX standards or the DMX cables needed to link this product to a DMX controller, download the DMX Primer from the Chauvet website: [www.chauvetprofessional.com](http://www.chauvetprofessional.com).

### DMX Linking

It is possible to link the Maverick Storm 4 SoloWash to a DMX controller using a 5-pin DMX connection or a WDMX connection. For more information about DMX, read the DMX primer at:

[https://www.chauvetprofessional.com/wp-content/uploads/2016/06/DMX\\_Primer.pdf](https://www.chauvetprofessional.com/wp-content/uploads/2016/06/DMX_Primer.pdf).

### Art-Net™ Connection

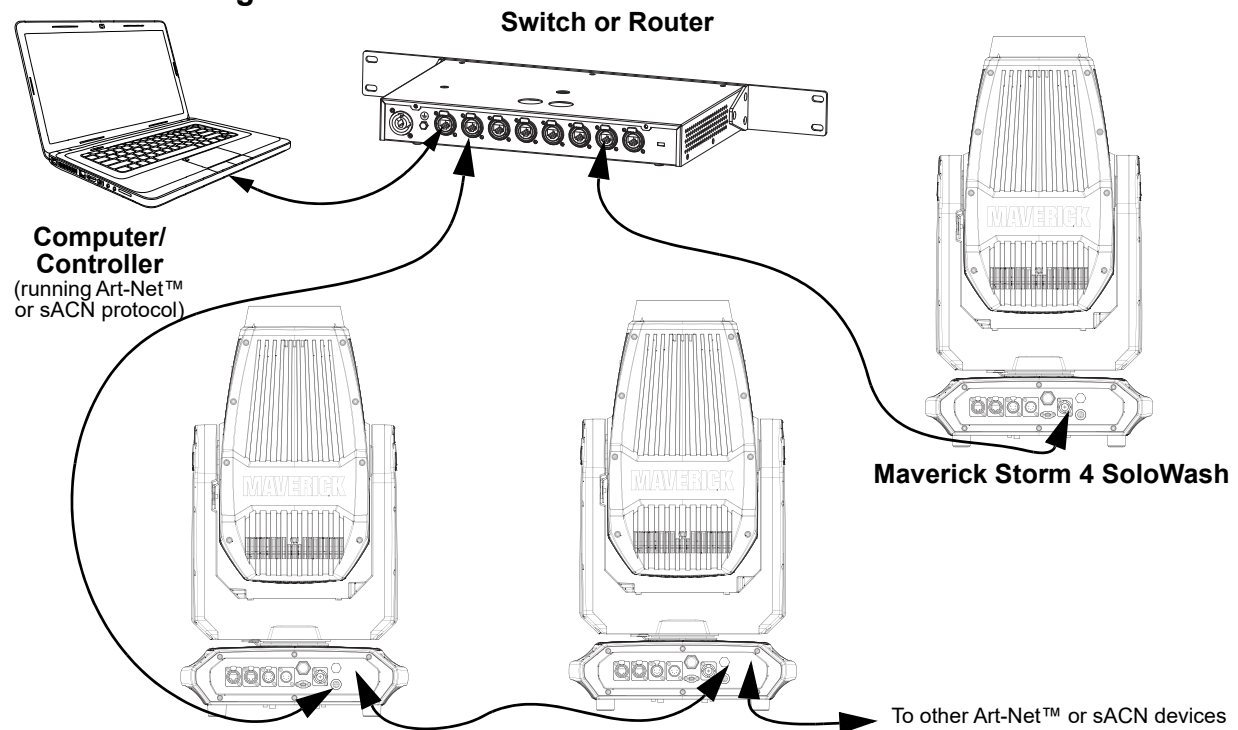
Art-Net™ is an Ethernet protocol that uses TCP/IP which transfers a large amount of DMX512 data using an Amphenol XLRnet RJ45 connection over a large network. An Art-Net™ protocol document is available from [www.chauvetprofessional.com](http://www.chauvetprofessional.com).

Art-Net™ designed by and copyright Artistic Licence Holdings Ltd.

### sACN Connection

Streaming ACN (Architecture for Control Networks), also known as ANSI E1.31, is an Ethernet protocol that uses the layering and formatting of ACN to transport DMX512 data over IP or any other ACN-compatible network.

### Connection Diagram









The four LED indicators in between the ethernet through ports indicate a connection to a network and activity on that network. They do not indicate whether or not the Maverick Storm 4 SoloWash is receiving a signal from a controller.

## 4. Operation

### Touchscreen Control Panel

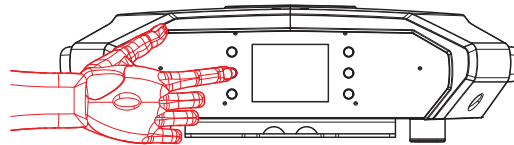
The Maverick Storm 4 SoloWash has a touchscreen display as well as 6 control buttons. Navigate the menu structure by pressing the buttons, touching the images of the buttons on the sides of the display, or touching the desired menu option on the display directly. The touchscreen can be locked and calibrated through the Setup options in the menu. (See [Touchscreen Calibration](#) and [Touchscreen Lock](#).)

### Control Panel Description

Button	Name	Function
	<UP>	Navigates upwards through the menu list or increases the numeric value when in a function
	<MENU>	Exits from the current menu or function
	<DOWN>	Navigates downwards through the menu list or decreases the numeric value when in a function
	<LEFT>	Navigates leftwards through the menu list
	<ENTER>	Enables the currently displayed menu or sets the currently selected value into the selected function
	<RIGHT>	Navigates rightwards through the menu list

### Battery Powered Display

The Maverick Storm 4 SoloWash has a battery powered display which enables access to the menu when the product is powered off. Press and hold <MENU> until the display activates (approximately 15 seconds).



### Home Screen

The Maverick Storm 4 SoloWash has a home screen that shows the current control protocols, personalities, starting addresses, IP addresses, and universes. To see the home screen, press <MENU> repeatedly until it shows on the display. From the home screen, touch any of the displayed control settings to immediately jump to that part of the menu, such as the personality, starting address, or universe, or press <ENTER> to reach the main menu.

### Control Panel Lock

The setting locks or unlocks the control panel.

1. Go to the **Settings** main level.
2. Select the **Lock Screen** option.
3. Select **NO** (control panel stays unlocked) or **YES** (locks control panel).



**When the control panel lock is activated, the product will prompt for the passcode in order to access the menu. Enter the passcode as described below.**

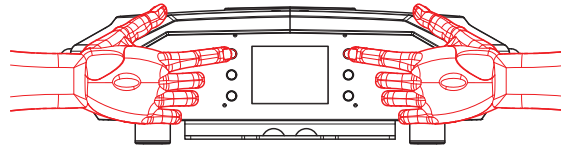
### Passcode

After being prompted to enter the passcode, enter the numbers **0920**.

## Operation

### Technician Mode

The technician mode disables the pan and tilt motors, allowing the output of the product to be aimed by hand. To enable the technician mode of the Maverick Storm 4 SoloWash, hold **<UP>** and **<LEFT>** while the product is powering on. When the product is turned off and back on, the pan and tilt will return to normal function.



### Menu Map

Refer to the Maverick Storm 4 SoloWash product page on [www.chauvetprofessional.com](http://www.chauvetprofessional.com) for the latest menu map.

Main Level	Programming Levels		Description
<b>Address</b>	<b>001–512</b>		Sets the starting address
<b>Network Setup</b>	<b>IP Mode</b>	<b>Manual</b>	Manually set IP address
		<b>DHCP</b>	Network sets IP address
		<b>Static</b>	Product sets IP address
	<b>Universe</b>	<b>000–255 (Art-Net™)</b> <b>001–256 (sACN)</b>	Sets the universe
	<b>Ip</b>	-----	Sets the IP address in Manual mode
	<b>SubMask</b>	-----	Sets the Subnet Mask in Manual mode
<b>Personality</b>	<b>Dmx Mode 31 CH</b>	<b>NO</b>	Selects the 31-channel mode
		<b>YES</b>	
	<b>Dmx Mode 46 CH</b>	<b>NO</b>	Selects the 46-channel mode
		<b>YES</b>	
	<b>Pan Reverse</b>	<b>NO</b>	Normal pan
		<b>YES</b>	Reversed pan
	<b>Tilt Reverse</b>	<b>NO</b>	Normal tilt
		<b>YES</b>	Reversed tilt
	<b>Screen Reverse</b>	<b>NO</b>	Normal display
		<b>YES</b>	Inverted display
		<b>AUTO</b>	Automatic display orientation
	<b>Pan Angle</b>	<b>540</b>	540° pan range
		<b>360</b>	360° pan range
		<b>180</b>	180° pan range
	<b>Tilt Angle</b>	<b>270</b>	270° tilt range
<b>180</b>		180° tilt range	
<b>90</b>		90° tilt range	
<b>BL. O. P/T Move</b>	<b>NO</b>	Do not black out while panning/tilting	
	<b>YES</b>	Blackout while panning/tilting	



Main Level	Programming Levels	Description	
Settings	BL. O. Color Move	NO	Do not black out while color wheel moving
		YES	Blackout while color wheel moving
	BL. O. Gobo Move	NO	Do not black out while gobo wheels moving
		YES	Blackout while gobo wheels moving
	Swap XY	NO	Do not swap pan and tilt
		YES	Pan controls tilt, tilt controls pan
	Backlight Timer	30S	Display turns off after 30 seconds
		1M	Display turns off after 1 minute
		5M	Display turns off after 5 minutes
		ON	Display stays on
	Loss of Data	Hold	Holds last signal received
		Close	Blacks out fixture
	Fans	Auto	Fan speed according to product temperature
		Full	Fan speed set on high
		ECO	Quiet mode
		TV25	Maintains LED output up to an ambient temperature of 77 °F (25 °C) (TV25) or 95 °F (35 °C) (TV35).
		TV35	When using these fan modes, please set the <b>PWM Options</b> to <b>6000Hz</b> or <b>15000Hz</b> to prevent any possible harmonization noise.
	Dimmer Curve	Linear	Set the dimmer curve
		Square	
		I Squa	
SCurve			
Linear2			

Main Level	Programming Levels		Description
Settings (cont.)	PWM Option	600Hz	Sets the Pulse Width Modulation frequency
		1200Hz	
		2000Hz	
		4000Hz	
		6000Hz	
		15000Hz	
	Min Zoom Focus	NO	Enables/disables minimum zoom focus
		YES	
	Preset Select	PRESET A	Recorded preset menu options
		PRESET B	
		PRESET C	
	Preset Sync	NO	Allows recorded preset menu options to be transferred to other Maverick Storm 4 SoloWash fixtures in the DMX daisy chain
		YES	
	USB Update	NO	Enables/disables updating by USB
YES			
Reset Function	Pan/Tilt	NO/YES	Reset individual functions or all functions from start-up
	Iris/Prism		
	Color/CMY/Blade		
	Gobo/Gobo Rotate		
	Frost/Animation		
	All		
Factory Settings	NO	Reset to factory default settings	
	YES		

Main Level	Programming Levels		Description
Test	Auto Test		Auto test all functions
	Manual Test	Pan	000-255 Manually control and test all settings through the control panel
		Pan Fine	
		Tilt	
		Tilt Fine	
		P/T Speed	
		Dimmer	
		Dimmer Fine	
		Shutter	
		Virtual Shaking	
		Cyan	
		Magenta	
		Yellow	
		CTO	
		Color	
		Gobo	
		Gobo Rotate	
		Gobo Index	
		Animation	
		Animation Rotate	
		Blade 1-1	
		Blade 1-1 Fine	
		Blade 1-2	
		Blade 1-2 Fine	
		Blade 2-1	
		Blade 2-1 Fine	
		Blade 2-2	
		Blade 2-2 Fine	
		Blade 3-1	
		Blade 3-1 Fine	
		Blade 3-2	
		Blade 3-2 Fine	
		Blade 4-1	
		Blade 4-1 Fine	
		Blade 4-2	
		Blade 4-2 Fine	
		Blade Rotate	
		Blade Rotate Fine	
		Focus	
		Focus Fine	
		Focus Auto	
		Zoom	
Zoom Fine			
Iris			
Frost			
CMY Macro			
CMY Macro Speed			

Main Level	Programming Levels		Description
<b>Test</b> (cont.)	<b>Manual Test</b> (cont.)	<b>Control</b> <b>000–255</b>	Manually control and test all settings through the control panel (cont.)
<b>Information</b>	<b>Fixture Information</b>	<b>Ver</b> <b>V_</b>	Shows firmware version
		<b>Running Mode</b> <b>---</b>	Shows current running mode
		<b>DMX Address</b> <b>---</b>	Shows current starting address
		<b>Temperature</b> <b>---</b>	Shows current product temperature in °C
		<b>Fixture Hours</b> <b>-----</b>	Shows number of hours product has been powered on
		<b>LED Hours</b> <b>-----</b>	Shows number of hours the LED has been powered on
		<b>Ip</b> <b>---'---'</b> <b>---</b>	Shows current IP address
		<b>SubMask</b> <b>---'---'</b> <b>---</b>	Shows current Subnet Mask
	<b>Fan Information</b>	<b>Base Fan1 Speed</b> <b>----</b>	Shows speed of fans in rpm
		<b>Base Fan2 Speed</b> <b>---</b>	
		<b>Base Fan3 Speed</b> <b>---</b>	
		<b>Base Fan4 Speed</b> <b>---</b>	
		<b>GFan1</b> <b>---</b>	
		<b>GFan2</b> <b>---</b>	
		<b>GFan5</b> <b>---</b>	
		<b>GFan6</b> <b>---</b>	
		<b>GFan7</b> <b>---</b>	
		<b>ZFan1 Speed</b> <b>---</b>	
		<b>ZFan5 Speed</b> <b>---</b>	
		<b>ZFan6 Speed</b> <b>---</b>	
		<b>Fan1 Speed</b> <b>---</b>	
		<b>Fan2 Speed</b> <b>---</b>	
		<b>Fan3 Speed</b> <b>---</b>	
		<b>Fan5 Speed</b> <b>---</b>	
		<b>Fan6 Speed</b> <b>---</b>	
		<b>Fan7 Speed</b> <b>---</b>	
		<b>Fan8 Speed</b> <b>---</b>	
<b>JFan1</b> <b>---</b>			
<b>JFan2</b> <b>---</b>			
<b>JFan3</b> <b>---</b>			
<b>Error Information</b>	<b>-----</b>	Shows any errors, or No Error!	

Main Level	Programming Levels		Description
Information (cont.)	Channel Information	Pan	--- Shows all current values from input signals, 000–255
		Pan Fine	
		Tilt	
		Tilt Fine	
		P/T Speed	
		Dimmer	
		Dimmer Fine	
		Shutter	
		Virtual Shaking	
		Cyan	
		Magenta	
		Yellow	
		CTO	
		Color	
		Gobo	
		Gobo Rotate	
		Gobo Index	
		Animation	
		Animation rotate	
		Blade 1-1	
		Blade 1-1 Fine	
		Blade 1-2	
		Blade 1-2 Fine	
		Blade 2-1	
		Blade 2-1 Fine	
		Blade 2-2	
		Blade 2-2 Fine	
		Blade 3-1	
		Blade 3-1 Fine	
		Blade 3-2	
		Blade 3-2 Fine	
		Blade 4-1	
		Blade 4-1 Fine	
		Blade 4-2	
		Blade 4-2 Fine	
		Blade Rotate	
		Blade Rotate Fine	
		Focus	
		Focus fine	
		Focus Auto	
Zoom			
Zoom fine			
Iris			
Frost			
CMY Macro			
CMY Macro Speed			
Control			

## Operation

### Control Configuration

Use control configurations to operate the product with a DMX, Art-Net™, or sACN controller.

#### Control Mode

The Maverick Storm 4 SoloWash works with wired DMX, WDMX, Art-Net™, and sACN control signals. To select which protocol to use:

1. Go to the **Settings** main level.
2. Select the **ControlMode** option.
3. Select the desired protocol, from **DMX**, **WDMX**, **ArtNet**, or **sACN**.



- See the [WDMX Reset](#) section for further setup of WDMX.
- See the [Network Setup](#) section for further setup of ethernet protocols (Art-Net™ or sACN).

#### Control Personalities

To set the control personality:

1. Go to the **Personality** main level.
2. Select the desired personality, from **Dmx Mode 31 CH** or **Dmx Mode 46 CH**.



- See the [Starting Address](#) section for the highest selectable starting address for each personality.
- Make sure that the starting addresses on the various products do not overlap due to the new personality setting.

#### Starting Address

Each product will respond to a unique starting address from the controller. All products with the same starting address will respond in unison. To set the starting address:

1. Go to the **Address** main level.
2. Select the starting address (**001–512**).
  - The highest recommended starting address for **Dmx Mode 31 CH** is **482**.
  - The highest recommended starting address for **Dmx Mode 46 CH** is **467**.

#### Network Setup

The Network Setup settings control the IP address, subnet mask, and universe of the product.

##### IP Mode

To choose how the IP address is set:

1. Go to the **Network Setup** main level.
2. Select the **IP Mode** option.
3. Select the desired IP mode, from **Manual** (to set a custom IP address), **DHCP** (the IP address is assigned by the connected network), or **Static** (the product uses a default, preset IP address).

##### Universe

To assign an Art-Net™ or sACN universe to the Maverick Storm 4 SoloWash:

1. Go to the **Network Setup** main level.
2. Select the **Universe** option.
3. Set the universe, from **000–255** (for Art-Net™) or from **001–256** (for sACN).

##### Manual IP Address

To set the IP address when the **IP Mode** is set to **Manual**:

1. Go to the **Network Setup** level.
2. Select the **Ip** option.
3. Set the 4 values of the IP address from **000–255**.

##### Subnet Mask

To set the subnet mask:

1. Go to the **Network Setup** level.
2. Select the **SubMask** option.
3. Set the 4 values of the subnet mask from **000–255**.

## Control Channel Assignments and Values

31 CH	46 CH	Function	Value	Percent/Setting
1	1	<b>Pan</b>	000 ⇔ 255	0–100%
2	2	<b>Pan Fine</b>	000 ⇔ 255	Fine control (16-bit)
3	3	<b>Tilt</b>	000 ⇔ 255	0–100%
4	4	<b>Tilt Fine</b>	000 ⇔ 255	Fine control (16-bit)
5	5	<b>Pan/tilt speed</b>	000 ⇔ 255	Fast to slow
6	6	<b>Dimmer</b>	000 ⇔ 255	0–100%
–	7	<b>Dimmer fine</b>	000 ⇔ 255	Fine control (16-bit)
7	8	<b>Strobe</b>	000 ⇔ 003	Closed
			004 ⇔ 007	Open
			008 ⇔ 076	Strobe, slow to fast
			077 ⇔ 145	Pulse strobe, slow to fast
			146 ⇔ 215	Random strobe, slow to fast
			216 ⇔ 255	Open
8	9	<b>Virtual strobe</b>	000 ⇔ 001	No function
			002 ⇔ 128	Shaking effect, slow to fast
			129 ⇔ 255	Fade effect, slow to fast
9	10	<b>Cyan</b>	000 ⇔ 255	0–100%
10	11	<b>Magenta</b>	000 ⇔ 255	0–100%
11	12	<b>Yellow</b>	000 ⇔ 255	0–100%
12	13	<b>CTO</b>	000 ⇔ 255	0–100%
13	14	<b>Color wheel</b>	000 ⇔ 006	White
			007 ⇔ 013	Red
			014 ⇔ 020	Orange
			021 ⇔ 027	Green
			028 ⇔ 034	Magenta
			035 ⇔ 041	UV
			042 ⇔ 048	CRI
			049 ⇔ 059	CTB
			060 ⇔ 187	Color indexing
			188 ⇔ 219	Color scroll, fast to slow
			220 ⇔ 223	Stop
224 ⇔ 255	Reverse color scroll, slow to fast			

31 CH	46 CH	Function	Value	Percent/Setting
14	15	Rotating gobo wheel ( <a href="#">See Gobo Wheel</a> )	000 ⇔ 007	Open
			008 ⇔ 015	Gobo 1
			016 ⇔ 023	Gobo 2
			024 ⇔ 031	Gobo 3
			032 ⇔ 039	Gobo 4
			040 ⇔ 047	Gobo 5
			048 ⇔ 063	Gobo 6
			064 ⇔ 071	Gobo 6 shaking, slow to fast
			072 ⇔ 079	Gobo 5 shaking, slow to fast
			080 ⇔ 087	Gobo 4 shaking, slow to fast
			088 ⇔ 095	Gobo 3 shaking, slow to fast
			096 ⇔ 103	Gobo 2 shaking, slow to fast
			104 ⇔ 111	Gobo 1 shaking, slow to fast
			112 ⇔ 127	Open
128 ⇔ 191	Gobo scroll, slow to fast			
192 ⇔ 255	Reverse gobo scroll, slow to fast			
15	16	Gobo rotation	000 ⇔ 063	Gobo index
			064 ⇔ 145	Gobo rotation, fast to slow
			146 ⇔ 149	Stop
			150 ⇔ 231	Reverse gobo rotation, slow to fast
			232 ⇔ 255	Bounce effect, short to long
-	17	Fine gobo index	000 ⇔ 255	Fine control (16-bit)
16	18	Animation wheel	000 ⇔ 255	Animation effect
17	19	Animation rotating	000 ⇔ 124	Animation rotating, fast to slow
			125 ⇔ 130	Stop
			131 ⇔ 255	Reverse animation rotating, slow to fast
18	20	Framing shutter 1-1	000 ⇔ 255	0–100%
-	21	Framing shutter 1-1 fine	000 ⇔ 255	Fine control (16-bit)
19	22	Framing shutter 1-2	000 ⇔ 255	0–100%
-	23	Framing shutter 1-2 fine	000 ⇔ 255	Fine control (16-bit)
20	24	Framing shutter 2-1	000 ⇔ 255	0–100%
-	25	Framing shutter 2-1 fine	000 ⇔ 255	Fine control (16-bit)
21	26	Framing shutter 2-2	000 ⇔ 255	0–100%
-	27	Framing shutter 2-2 fine	000 ⇔ 255	Fine control (16-bit)
22	28	Framing shutter 3-1	000 ⇔ 255	0–100%
-	29	Framing shutter 3-1 fine	000 ⇔ 255	Fine control (16-bit)
23	30	Framing shutter 3-2	000 ⇔ 255	0–100%
-	31	Framing shutter 3-2 fine	000 ⇔ 255	Fine control (16-bit)
24	32	Framing shutter 4-1	000 ⇔ 255	0–100%
-	33	Framing shutter 4-1 fine	000 ⇔ 255	Fine control (16-bit)
25	34	Framing shutter 4-2	000 ⇔ 255	0–100%
-	35	Framing shutter 4-2 fine	000 ⇔ 255	Fine control (16-bit)
26	36	Framing shutter rotating	000 ⇔ 255	0–100%
-	37	Framing shutter rotating fine	000 ⇔ 255	Fine control (16-bit)
27	38	Focus	000 ⇔ 255	0–100%
-	39	Focus fine	000 ⇔ 255	Fine control (16-bit)
28	40	Zoom	000 ⇔ 255	0–100%

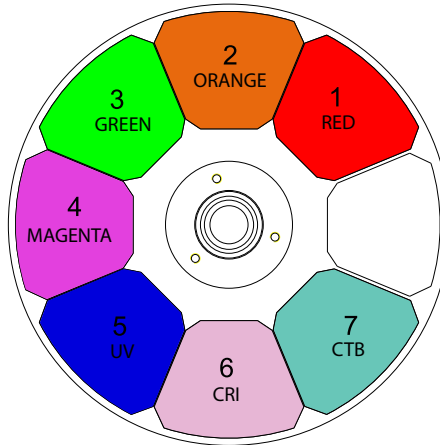


31 CH	46 CH	Function	Value	Percent/Setting
-	41	Zoom fine	000 ⇄ 255	Fine control (16-bit)
29	42	Iris	000 ⇄ 063 064 ⇄ 127 128 ⇄ 191 192 ⇄ 255	Big to small Auto change, slow to fast Slow expand, fast shrink (slow to fast) Slow shrink, fast expand (slow to fast)
30	43	Frost	000 ⇄ 255	0–100%
-	44	CMY macro	000 ⇄ 009 010 ⇄ 255	No function CMY macro
-	45	CMY macro speed	000 ⇄ 255	CMY macro speed, fast to slow
31	46	Control	000 ⇄ 007 008 ⇄ 015 016 ⇄ 023 024 ⇄ 031 032 ⇄ 039 040 ⇄ 047 048 ⇄ 055 056 ⇄ 059 060 ⇄ 063 064 ⇄ 067 068 ⇄ 071 072 ⇄ 075 076 ⇄ 079 080 ⇄ 081 082 ⇄ 083 084 ⇄ 085 086 ⇄ 087 088 ⇄ 089 090 ⇄ 095 096 ⇄ 103 104 ⇄ 111 112 ⇄ 119 120 ⇄ 127 128 ⇄ 131 132 ⇄ 135 136 ⇄ 143 144 ⇄ 151 152 ⇄ 159 160 ⇄ 167 168 ⇄ 175 176 ⇄ 183 184 ⇄ 191 192 ⇄ 199 200 ⇄ 207 208 ⇄ 215 216 ⇄ 220 221 ⇄ 225 226 ⇄ 230	No function XY blackout C blackout G blackout XY/C blackout XY/G blackout XY/C/G blackout LED PWM 600Hz LED PWM 1200Hz LED PWM 2000Hz LED PWM 4000Hz LED PWM 6000Hz LED PWM 15000Hz Linear dimmer curve Square dimmer curve Square 1 dimmer curve Curve S dimmer curve Linear 2 dimmer curve No function Pan reset Tilt reset Color reset Gobo reset Gobo CTB on Gobo CTB off Prism reset No function All reset Iris reset Frost reset Zoom reset CMY + CTO reset Fan ECO Fan FULL Fan AUTO Fan TV25 Fan TV35 No function

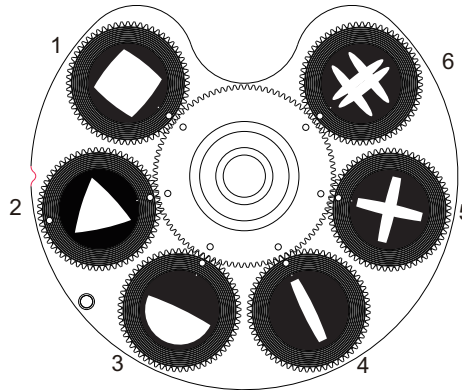
## Operation

31 CH	46 CH	Function	Value	Percent/Setting
31 (cont.)	46 (cont.)	Control (cont.)	231 ⇔ 235	XY swap on
			236 ⇔ 240	XY swap off
			241 ⇔ 245	Minimum zoom focus on
			246 ⇔ 250	Minimum zoom focus off
			251 ⇔ 255	No function

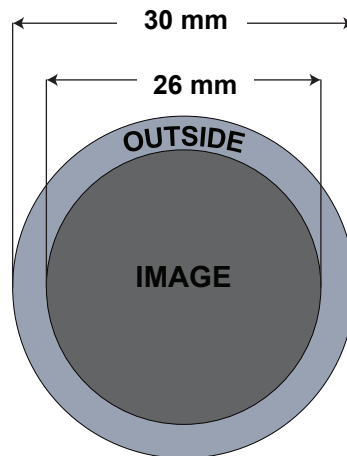
## Color Wheel



## Gobo Wheel



## Gobo Dimensions



## Settings Configuration

### Pan Reverse

To set the orientation of the pan:

1. Go to the **Settings** main level.
2. Select the **Pan Reverse** option.
3. Select from **NO** (normal pan motion), or **YES** (reversed pan motion).

### Tilt Reverse

To set the orientation of the tilt:

1. Go to the **Settings** main level.
2. Select the **Tilt Reverse** option.
3. Select from **NO** (normal tilt motion), or **YES** (reversed tilt motion).

### Screen Reverse

To set the orientation of the display:

1. Go to the **Settings** main level.
2. Select the **Screen Reverse** option.
3. Select from **NO** (right-side up), **YES** (upside-down), or **AUTO** (changes depending on the orientation of the product).

### Pan Angle

To set the maximum angle of the pan:

1. Go to the **Settings** main level.
2. Select the **Pan Angle** option.
3. Select from **540** (540°), **360** (360°), or **180** (180°).

### Tilt Angle

To set the maximum angle of the tilt:

1. Go to the **Settings** main level.
2. Select the **Tilt Angle** option.
3. Select from **270** (270°), **180** (180°), or **90** (90°).

### Blackout on Movement

To set the Maverick Storm 4 SoloWash to black out on pan or tilt movement, color wheel movement, or gobo wheel movement:

1. Go to the **Settings** main level.
2. Select the **BL. O. P/T Move** (blackout on pan or tilt movement), **BL. O. Color Move** (blackout on color wheel movement), or **BL. O. Gobo Move** (blackout on gobo wheel movement) option.
3. Select from **NO** (no blackout on selected movement), or **YES** (blackout during the selected movement).

### Touchscreen Calibration

To calibrate the touchscreen:

1. Go to the **Settings** main level.
2. Select the **Calibration** option.
3. Select from **NO** (cancel), or **YES** (calibrate).
4. Follow the instructions on the display.

### Touchscreen Lock

To lock the touchscreen and limit the display to operation by the menu buttons:

1. Go to the **Settings** main level.
2. Select the **Touchscreen Lock** option.
3. Select from **NO** (do not lock the touchscreen), or **YES** (lock the touchscreen).

### Lock Screen

To lock the touchscreen and the menu buttons:

1. Go to the **Settings** main level.
2. Select the **Lock Screen** option.
3. Select from **NO** (do not lock the touchscreen/menu buttons), or **YES** (lock the touchscreen/menu buttons).

## Operation

### Swap Pan and Tilt

To swap the pan and tilt controls for each other:

1. Go to the **Settings** main level.
2. Select the **Swap XY** option.
3. Select from **NO** (do not swap), or **YES** (swap so pan controls tilt and tilt controls pan).

### WDMX Reset

To reset the WDMX connection and allow the Maverick Storm 4 SoloWash to connect to a WDMX transmitter:

1. Go to the **Settings** main level.
2. Select the **WDMX Reset** option.
3. Select from **NO** (do not reset), or **YES** (reset the WDMX connection).



Follow instructions in the manual or guide for the WDMX controller being used to connect it to the receiver in the Maverick Storm 4 SoloWash.

### Display Backlight Timer

To set the length of time before an inactive display will turn off:

1. Go to the **Settings** main level.
2. Select the **Backlight Timer** option.
3. Select the length of the backlight timer, from **30S** (30 seconds), **1M** (1 minute), **5M** (5 minutes), or **ON** (always on).

### Loss of Data

To set how the product reacts to a loss in control signal data:

1. Go to the **Settings** main level.
2. Select the **Loss of Data** option.
3. Select from **Hold** (holds the last values received before signal loss), or **Close** (blacks out the product).

### Fan Mode

To set the fan speed mode:

1. Go to the **Settings** main level.
2. Select the **Fans** option.
3. Select the fan mode, from **Auto** (fan speed adjusts to product temperature), **Full** (fan speed at maximum), **ECO** (quiet mode), **TV25** (maintains a consistent LED output up to an ambient temperature of 77 °F [25 °C]), or **TV35** (maintains a consistent LED output up to an ambient temperature of 95 °F [35 °C]).



When using the fan modes TV25 or TV35, please set the PWM Options to 6000Hz or 15000Hz to prevent any possible harmonization noise.

### Dimmer Curve

To set the dimmer curve:

1. Go to the **Settings** main level.
2. Select the **Dimmer Curve** option.
3. Select the dimmer curve, from **Linear**, **Square**, **LSqua**, **SCurve** or **Linear2**.

### Pulse Width Modulation

To adjust the frequency of the pulse width modulation:

1. Go to the **Settings** main level.
2. Select the **PWM Option** option.
3. Select the frequency, from **600Hz**, **1200Hz**, **4000Hz**, **6000Hz**, or **15000Hz**.

### LED Power

To set the maximum power of the LED output:

1. Go to the **Settings** main level.
2. Select the **LED POWER** option.
3. Set the power from **064–255**.

## Minimum Zoom Focus

To enable or disable the minimum zoom focus function:

1. Go to the **Settings** main level.
2. Select the **Min Zoom Focus** option.
3. Select from **NO** (disable), or **YES** (enable).

## Preset Selection

To select a preset configuration of menu options:

1. Go to the **Settings** main level.
2. Select the **Preset Select** option.
3. Select from **PRESET A** (default), **PRESET B**, or **PRESET C**.



- **Changes to settings automatically save to the currently selected Preset.**
- **If no Preset has been selected, changes to settings save to PRESET A.**
- **After selecting a Preset, the product will restart.**

## Preset Synchronization

To transfer saved Presets from one Maverick Storm 4 SoloWash to another:

1. Connect the Maverick Storm 4 SoloWash products to receive the Presets by a DMX daisy chain.
2. Make the Maverick Storm 4 SoloWash with the Presets to transfer the first in the DMX daisy chain.
3. Power on all of the products.
4. Set all of the products to a [Control Mode](#) other than **WDMX**. (**DMX**, **ArtNet**, or **sACN**)
5. On the Maverick Storm 4 SoloWash with the Presets, go to the **Settings** main level.
6. Select the **Preset Sync** option.
7. Select **NO** (to cancel) or **YES** (to transfer the Presets to the connected products).



- **All menu configurations are transferred except for the IP address.**
- **ONLY connect Maverick Storm 4 SoloWash products for this function!**

## USB Update

To enable or disable updating the firmware via the USB A port:

1. Go to the **Settings** main level.
2. Select the **USB Update** option.
3. Select from **NO** (disable), or **YES** (enable).



See the [USB Software Update](#) section for the detailed instructions on how to update the **Maverick Storm 4 SoloWash** software using the USB flash drive.

## Reset Function

To reset specific functions or the entire product:

1. Go to the **Settings** main level.
2. Select the **Reset Function** option.
3. Select the functions to reset, from:
  - **Pan/Tilt**
  - **Iris/Prism**
  - **Color/CMY/Blade**
  - **Gobo/Gobo Rotate**
  - **Frost/Animation**
  - or
  - **All**
4. Select **NO** (to cancel) or **YES** (to reset the selected functions).

## Factory Reset

To reset the product to factory settings:

1. Go to the **Settings** main level.
2. Select the **Factory Settings** option.
3. Select **NO** (to cancel) or **YES** (to reset the product configuration).

## Operation

---

### Test Mode

#### Auto Test

To have the Maverick Storm 4 SoloWash automatically test all functions one after the other:

1. Go to the **Test** main level.
2. Select the **Auto Test** option.

#### Manual Test

To manually test an individual function of the Maverick Storm 4 SoloWash:

1. Go to the **Test** main level.
2. Select the **Manual Test** option.
3. Select a function to test, from **Pan, Pan Fine, Tilt, Tilt Fine, P/T Speed, Dimmer, Dimmer Fine, Shutter, Cyan, Magenta, Yellow, CTO, Color, Gobo, Gobo Rotate, Gobo Index, Focus, Focus Fine, Zoom, Zoom Fine, Prism, Prism Rotate, Iris, Frost, CMY Macro, CMY Macro Speed, or Control.**
4. Increase or decrease the value of the selected function from **000–255** to test it.

### System Information

The information section of the menu displays statistics and the current status of the product's various functions. To view these information sections:

1. Go to the **Information** main level.
2. Select which information to view, from **Fixture Information** (shows the firmware version, running mode, addresses, temperature, and running time), **Fan Information** (shows the speed of the fans in rotations per minute (rpm)), **Error Information** (shows any error or No Error!), or **Channel Information** (shows the current values of all signal input channels).
3. If necessary, scroll up and down to view all information available in the selected option.

### Zero Adjust Mode

The Offset mode provides fine adjustments for the home position of every moving part in the optical path as well as the pan and tilt movements. To adjust these options and prevent borders showing or reduction of the light output:

1. From the main level screen, press and hold **<MENU>** until the passcode screen appears.
2. Enter the passcode: **0920** and press **<ENTER>**.
3. Select the “zero” position to adjust, from **PAN, TILT, COLOR, GOBO, GOBO ROTATE, FOCUS-GOBO, ZOOM, PRISM, IRIS, FROST, CYAN, MAGENTA, YELLOW, CTO, DIMMER1, DIMMER2, RDM ID4, RDM ID5, RDM ID6, MAC4, MAC5, or MAC6.**
4. Adjust the “zero” position for the selected function from **000–255.**

## Web Server

The Maverick Storm 4 SoloWash Web Server can be accessed by any computer on the same network as the product. It allows network access to system information, settings such as control setup, manual testing of all functions, firmware updates, and the ability to change the Web Server password.

1. Connect the product to power, and set the [Control Mode](#) to **ArtNet** and the [IP Mode](#) to **Static**.
2. Connect the product to a Windows computer with a network cable.
3. On the computer, set the first value of the IP address of the new network to match the first value of the IP address of the product. The IP address of the product is displayed on the [Home Screen](#).
4. Enter the IP address of the product into the URL bar of a web browser on the computer.
5. Enter both the User Name and Password as **admin** to log in.

### Information

The Information page on the Web Server displays the current settings and the system information of the Maverick Storm 4 SoloWash.

### Setup

The Setup page on the Web Server provides options for control, similar to the **Setup** menu on the product. Click **Save Settings** to send the new configuration to the product.

### Manual Test

The Manual Test page on the Web Server allows all output functions of the product to be controlled through the browser. To set all functions back to default, click **Reset**.

### Firmware Update

The Upgrade page on the Web Server allows the product to be updated with the latest firmware. Go to <https://www.chauvetprofessional.com> to download firmware updates.

### Security

The Security page on the Web Server gives the option to change the password to the connected product's web server. Enter the old password (**admin**, by default) and the new password twice, then click **Save Settings** to change the password.

## Operation

### Gobo Replacement

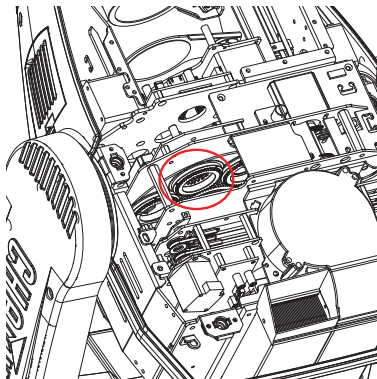
The gobos in gobo wheel 1 are removable from their gobo holders. This operation is quite simple, although it requires the technician to carefully follow the recommended procedure.

- **Make sure to disconnect the product's power cable before replacing a gobo.**
- **Always replace a gobo with a gobo of the same dimensions.**
- **When inserting a glass gobo, always make sure that the shiny side of the gobo (glass base) faces the lamp. This provides a layer of protection against the high temperature from the lamp.**

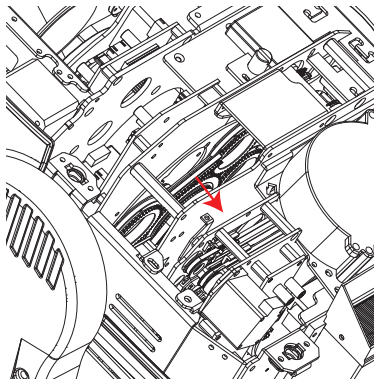
#### Procedure

1. Turn the product off and disconnect it from the power outlet.
2. Open the head cover by loosening the screws on the top cover.
3. Separate the gobo holder away from the gobo wheel by pushing it toward the front of the moving head (direction 1 in the diagram). Be careful not to push the gobo out of the gobo holder.
4. Extract the gobo holder by pulling it outward (direction 2 in the diagram).
5. On a flat surface, remove the expansion ring that holds the gobo in place and remove the gobo from the gobo holder.
6. Insert a new gobo and hold it in place with the expansion ring.
7. Slide the tip of the gobo holder under the pressure plate near the center of the gobo wheel.
8. Push the gobo holder inwards. **DO NOT** force the gobo holder into the gobo wheel slot. If correctly installed, the gobo holder should easily slide into the gobo wheel slot.

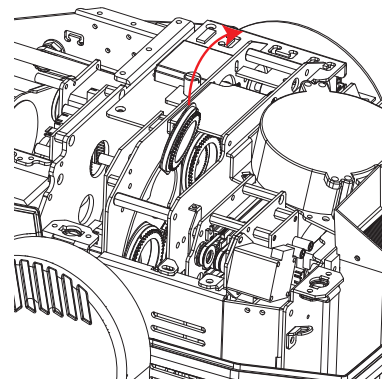
#### Diagram



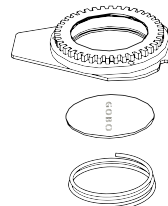
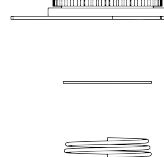
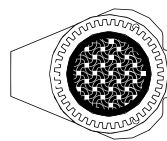
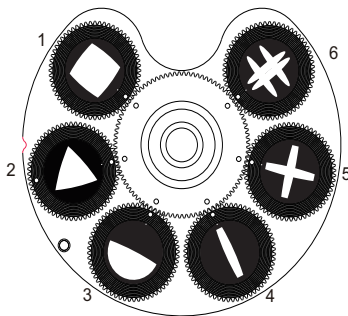
**Locate**



**Pull Back**



**Remove**



**Gobo Holder**

**Gobo**

**Retaining Ring**



## 5. Maintenance

### Product Maintenance

Dust build-up reduces light output performance and can cause overheating. This can lead to reduction of the light source's life and/or mechanical wear. To maintain optimum performance and minimize wear, clean all lighting products at least twice a month. However, be aware that usage and environmental conditions could be contributing factors to increase the cleaning frequency.

To clean the product, follow the instructions below:

1. Unplug the product from power.
2. Wait until the product is at room temperature.
3. Use a vacuum (or dry compressed air) and a soft brush to remove dust collected on the external surface/vents.
4. Clean all transparent surfaces with a mild soap solution, ammonia-free glass cleaner, or isopropyl alcohol.
5. Apply the solution directly to a soft, lint free cotton cloth or a lens cleaning tissue.
6. Softly drag any dirt or grime to the outside of the transparent surface.
7. Gently polish the transparent surfaces until they are free of haze and lint.



**Always dry the transparent surfaces carefully after cleaning them.**



**Do not spin the cooling fans with compressed air. Damage may result.**

### Gobo Maintenance

To ensure optimal operation, 1) inspect and 2) clean gobos every four months. More frequent maintenance may be necessary if usage is higher.

To inspect, remove each gobo holder and check if:

- the holders are clean (free of dirt, grime, or gunk).
- the gobos are properly installed in the holders.
- all the bearings are in place.
- the holders are rotating freely.

To clean the gobos and the gobo holder, follow the instructions below:

1. Remove the gobos from the holder.
2. Clean the gobos with a soft, lint-free cotton cloth. Use an ammonia-free glass cleaner sprayed to a piece of lint-free cotton cloth to clean glass gobos.
3. Submerge the gobo holder (without the gobo installed) in a container with a liquid lubricant (i.e., WD40) and let it rest for a couple of minutes.
4. Shake the container with the gobo holder inside to help release/loosen any gunk/grime/dirt.
5. Take the gobo holder out of the container and clean it using a small nylon brush.
6. Wipe off all the lubricant from the gobo holder using a piece of lint-free cotton cloth.
7. Apply a small coat of synthetic oil (i.e., Liquid Bearings) to the bearings and rotate it thoroughly in both directions (needle tip applicator recommended). Make sure the gobo holder is rotating freely and is not making any abnormal noise.
8. Reinstall the gobos in the gobo holder. Make sure the gobos are in the correct positions.
9. Reinstall the gobo holder in the unit.

## Maintenance

### Torque Measurements

To maintain the IP rating when reassembling the product, use the given torque measurements for each of the following screws and bolts:

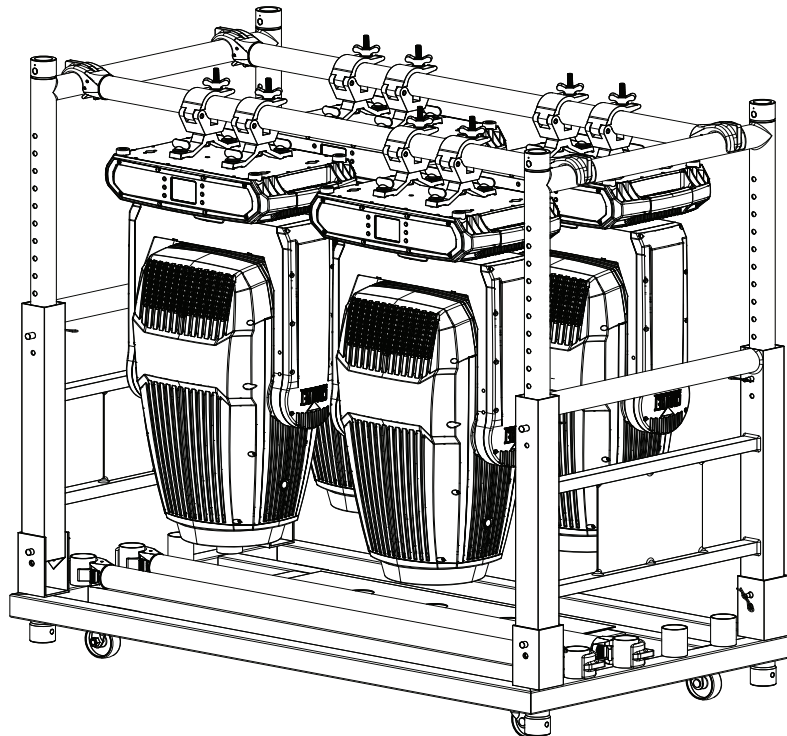
Fixture Parts	Torque Rating (Kgf.cm)	Torque Rating (lgb.in)
Screws inside feet	15.3	13.3
Base screws around outside (not the feet)	53	46
Base screws in middle	89.7	77.8
Omega bracket holder	12.2	10.6
Front and rear base cover	25.5	22.1
Screws around power and data ports	3.5	3
Fuse	10.7	9.2
Center of yoke plate	25.5	22.1
Arm cover screws	25.5	22.1
Allen Key screws holding in front lens cover	12.2	10.6
Allen Key screws next to heat pipes on the back	25.5	22.1
Allen Key screws head covers	25.5	22.1

### Vacuum Test Measurements

Use the IP Tester from Chauvet Professional to ensure the product has been reassembled correctly by following the information below:

Parameters	Values
Method	Positive
Test pressure	2.18 kPa
Test duration	60 seconds
PASS state leak pressure	<0.02 kPa

### Transporting on Truss or Racks



When transporting fixtures in pre-rigged truss and transportation racks, mount fixtures in the vertical position with the lenses facing down and the pan and tilt locks engaged. This is to prevent undue stress on the tilt locks and limit the amount of off-axis bounce on internal components.

## 6. Technical Specifications

### Dimensions and Weight

Length	Width	Height	Weight
18.46 in (469 mm)	12.04 in (306 mm)	32.16 in (817 mm)	100.2 lb (45.5 kg)

**Note:** Dimensions in inches are rounded.

### Power

Power Supply Type	Range	Voltage Selection
Switching (internal)	100 to 240 VAC, 50/60 Hz	Auto-ranging

Parameter	100 V, 60 Hz	120 V, 60 Hz	208 V, 60 Hz	230 V, 50 Hz	240 V, 60 Hz
Consumption	1690 W	1720 W	1690 W	1680 W	1680 W
Operating Current	16.9 A	14.67 A	8.35 A	7.48 A	7.20 A
Fuse/Breaker	F 25 A, 250 V	F 25 A, 250 V	F 25 A, 250 V	F 25 A, 250 V	F 25 A, 250 V

Power I/O	U.S./Worldwide	UK/Europe
Power Input Connector	Seetronic Powerkon IP65	Seetronic Powerkon IP65
Power Output Connector	Seetronic Powerkon IP65	Seetronic Powerkon IP65
Power cable plug	Edison (U.S.)	Local Plug

### Light Source

Type	Color	Quantity	Power	Current	Lifespan
LED	Cool white	1	1250 W	35.84 A	50,000 hours

### Photometrics

Front Lens Diameter	Beam Angle	Field Angle	Cutoff Angle	Zoom Range
225 mm	6.8° to 49.8°	10.4° to 65.5°	12.8° to 71.6°	6.8 to 71.6°

Color Temperature (at Full)	CRI (without CRI Filter)	CRI (with CRI Filter)	Illuminance @ 5 m (6.8°)	Illuminance @ 5 m (71.6°)
74647K	52.6	89.6	187,115 lux	3,967 lux

### Thermal

Startup Temperature Range	Operating Temperature Range	Cooling System
-4 °F–113 °F (-20 °C–45 °C)	14 °F–113 °F (-10 °C–45 °C)	Fan-assisted Convection

### DMX

I/O Connector	Channel Range
5-pin XLR	31 or 46

### Art-Net™/sACN

I/O Connector	Channel Range
Amphenol XLR Net RJ45 in/out	31 or 46

### Ordering

Product Name	Item Name	Item Code	UPC Number
Maverick Storm 4 SoloWash (with SIP insert)	MAVERICKSTORM4SOLOWASHSP	08012288	781462225087
Maverick Storm 4 SoloWash (no SIP insert)	MAVERICKSTORM4SOLOWASH	08012288	781462226367



UL 1573  
CSA C22.2 No. 166  
E113093



## Contact Us

General Information	Technical Support
<b>Chauvet World Headquarters</b>	
Address: 3360 Davie Rd., Suite 509 Davie, FL 33314 Voice: (954) 577-4455 Fax: (954) 929-5560 Toll Free: (800) 762-1084	Voice: (844) 393-7575 Fax: (954) 756-8015 Email: <a href="mailto:chauvetcs@chauvetlighting.com">chauvetcs@chauvetlighting.com</a> Website: <a href="http://www.chauvetprofessional.com">www.chauvetprofessional.com</a>
<b>Chauvet U.K.</b>	
Address: Pod 1 EVO Park Little Oak Drive, Sherwood Park Nottinghamshire, NG15 0EB UK Voice: +44 (0) 1773 511115 Fax: +44 (0) 1773 511110	Email: <a href="mailto:UKtech@chauvetlighting.eu">UKtech@chauvetlighting.eu</a> Website: <a href="http://www.chauvetprofessional.eu">www.chauvetprofessional.eu</a>
<b>Chauvet Benelux</b>	
Address: Stokstraat 18 9770 Kruishoutem Belgium Voice: +32 9 388 93 97	Email: <a href="mailto:BNLtech@chauvetlighting.eu">BNLtech@chauvetlighting.eu</a> Website: <a href="http://www.chauvetprofessional.eu">www.chauvetprofessional.eu</a>
<b>Chauvet France</b>	
Address: 3, Rue Ampère 91380 Chilly-Mazarin France Voice: +33 1 78 85 33 59	Email: <a href="mailto:FRtech@chauvetlighting.fr">FRtech@chauvetlighting.fr</a> Website: <a href="http://www.chauvetprofessional.eu">www.chauvetprofessional.eu</a>
<b>Chauvet Germany</b>	
Address: Bruno-Bürgel-Str. 11 28759 Bremen Germany Voice: +49 421 62 60 20	Email: <a href="mailto:DEtech@chauvetlighting.de">DEtech@chauvetlighting.de</a> Website: <a href="http://www.chauvetprofessional.eu">www.chauvetprofessional.eu</a>
<b>Chauvet Mexico</b>	
Address: Av. de las Partidas 34 - 3B (Entrance by Calle 2) Zona Industrial Lerma Lerma, Edo. de México, CP 52000 Voice: +52 (728) 690-2010	Email: <a href="mailto:servicio@chauvet.com.mx">servicio@chauvet.com.mx</a> Website: <a href="http://www.chauvetprofessional.mx">www.chauvetprofessional.mx</a>

## Warranty & Returns

For warranty terms and conditions and return information, please visit our website.

For customers in the United States and Mexico: [www.chauvetlighting.com/warranty-registration](http://www.chauvetlighting.com/warranty-registration).

For customers in the United Kingdom, Republic of Ireland, Belgium, the Netherlands, Luxembourg, France, and Germany: [www.chauvetlighting.eu/warranty-registration](http://www.chauvetlighting.eu/warranty-registration).